



US00D757469S

(12) **United States Design Patent**  
**Jensen**

(10) **Patent No.:** **US D757,469 S**

(45) **Date of Patent:** **\*\* May 31, 2016**

(54) **CADDY FOR ELECTRONIC DEVICES**

(71) Applicant: **Gemma Jensen**, Altrincham (GB)

(72) Inventor: **Gemma Jensen**, Altrincham (GB)

(\*\*) Term: **14 Years**

(21) Appl. No.: **29/509,199**

(22) Filed: **Nov. 14, 2014**

(30) **Foreign Application Priority Data**

May 16, 2014 (EM) ..... 002465815-0001

(51) **LOC (10) Cl.** ..... **06-06**

(52) **U.S. Cl.**

USPC ..... **D6/683.1**

(58) **Field of Classification Search**

USPC ..... D6/675, 683, 683.1; D19/75, 90;  
D9/737, 756

CPC ..... A45C 11/00; A45C 2011/002; A45C  
2011/003

See application file for complete search history.

(56) **References Cited**

**U.S. PATENT DOCUMENTS**

2,533,725 A \* 12/1950 Eisenberg ..... A47G 25/12  
206/292

D417,079 S \* 11/1999 Heltzel ..... D3/315

D489,179 S \* 5/2004 Ho ..... D3/303  
D522,751 S \* 6/2006 Irwin ..... D3/315  
D524,544 S \* 7/2006 Crook ..... D3/319  
D542,034 S \* 5/2007 Romano ..... D25/68  
D573,795 S \* 7/2008 Henderson ..... D3/315  
D649,786 S \* 12/2011 Lipfert ..... D3/308  
D699,437 S \* 2/2014 Del Solar ..... D3/315  
D725,910 S \* 4/2015 Sampaio ..... D3/315  
D742,457 S \* 11/2015 Meckler ..... D21/407

\* cited by examiner

*Primary Examiner* — Kelley Donnelly

(74) *Attorney, Agent, or Firm* — Bernhard P. Molldrem, Jr.

(57) **CLAIM**

The ornamental design for a caddy for electronic devices, as shown and described.

**DESCRIPTION**

FIG. 1 is a right side view of a caddy for electronic devices, showing my new design.

FIG. 2 is a front side view thereof, the rear side view being a mirror image.

FIG. 3 is a top perspective view thereof.

FIG. 4 is a bottom view thereof.

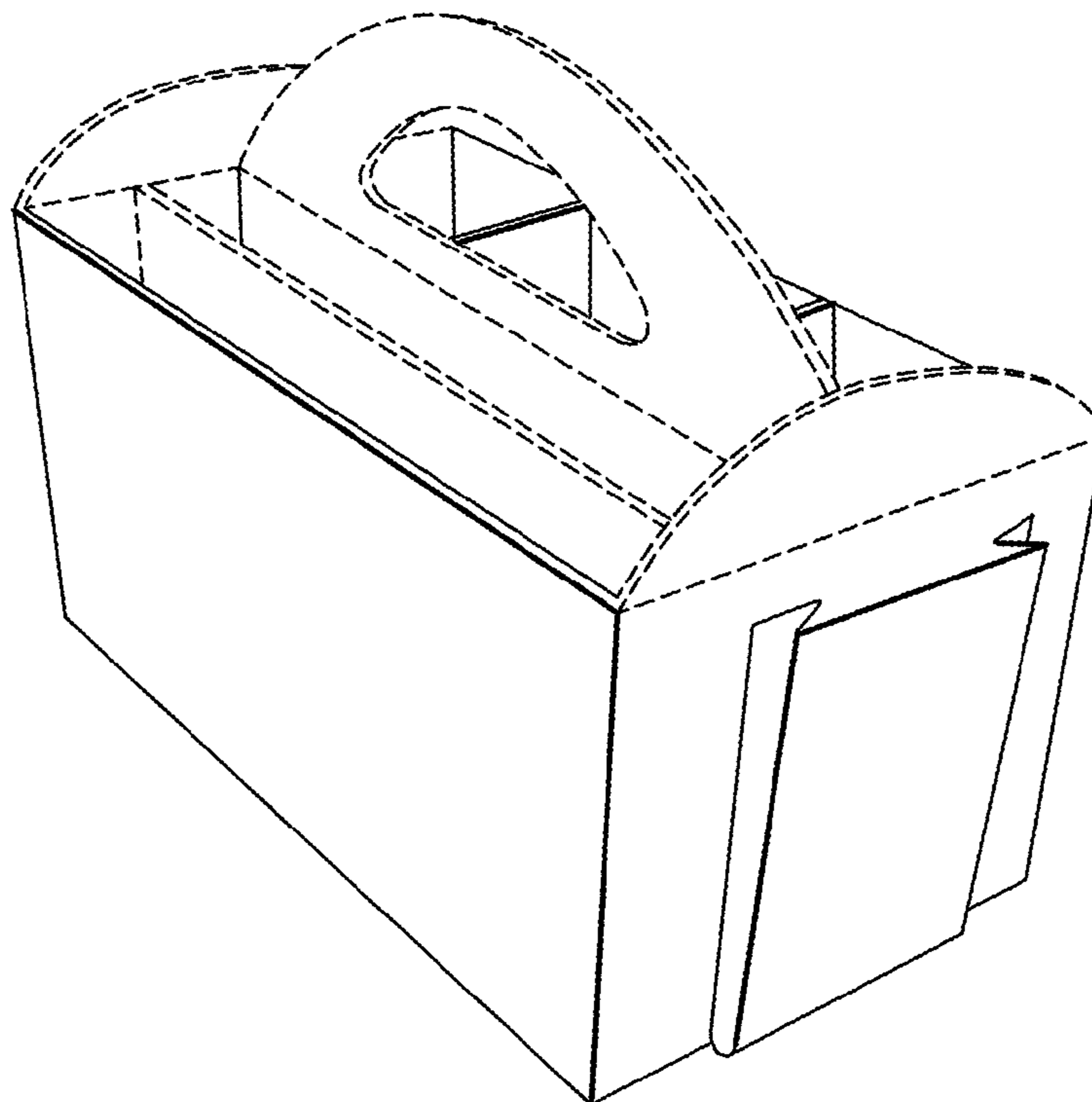
FIG. 5 is a left perspective view.

FIG. 6 is a right perspective view; and,

FIG. 7 is a perspective view thereof from the left and from above.

The broken lines are for the purpose of illustrating the environment of the design only, and form no part of the claimed design.

**1 Claim, 4 Drawing Sheets**



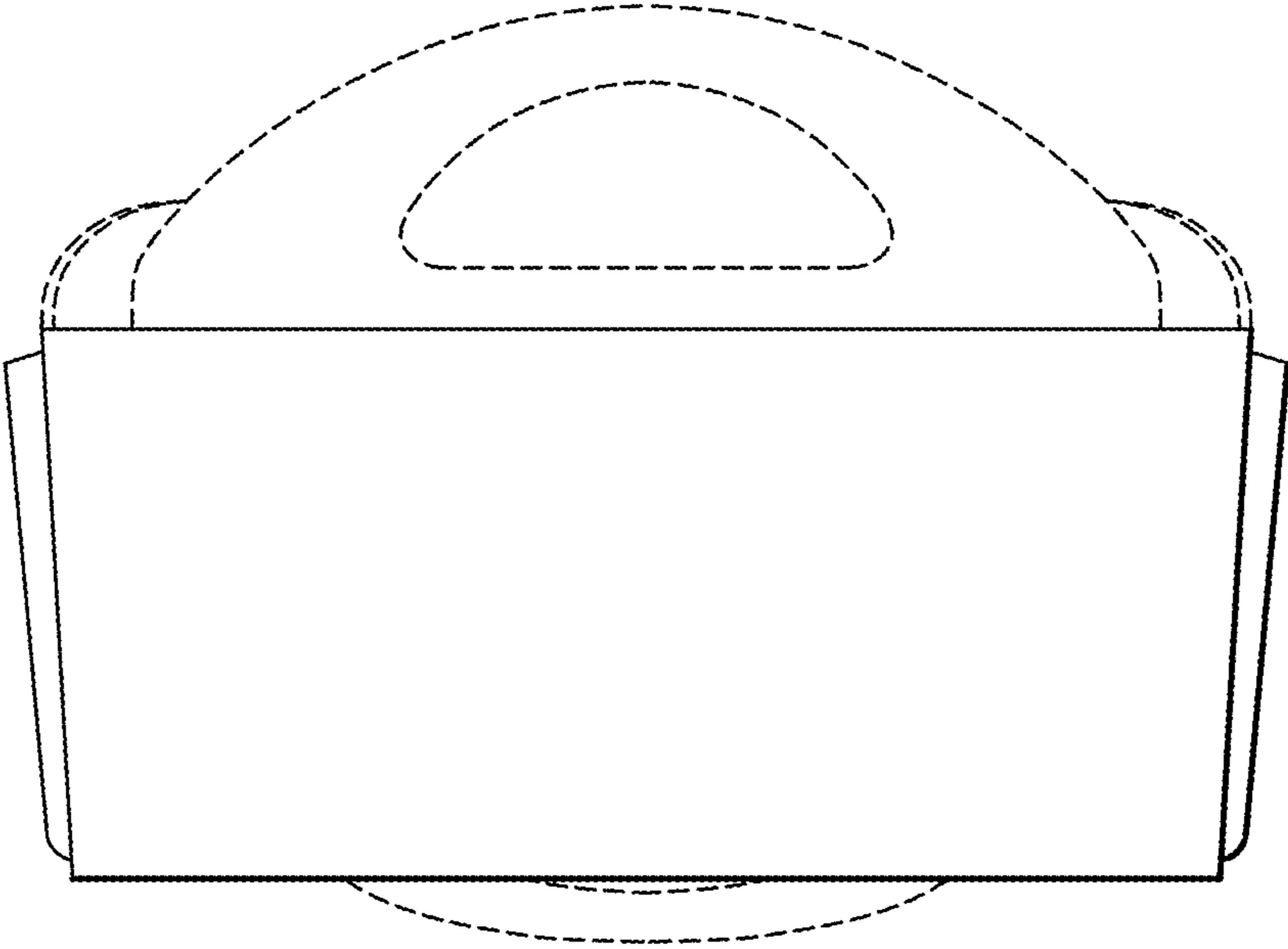


FIG.1

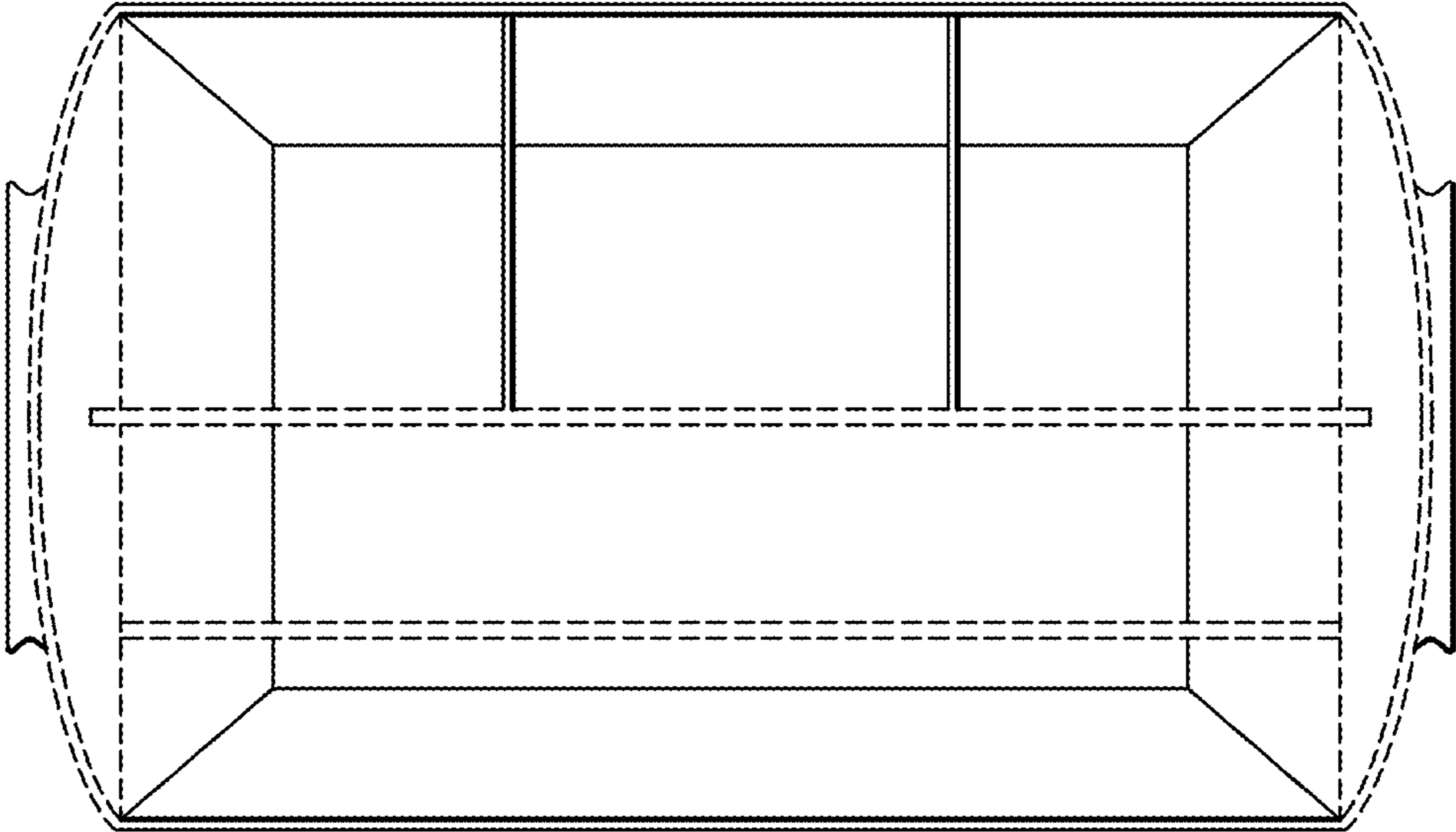


FIG.3

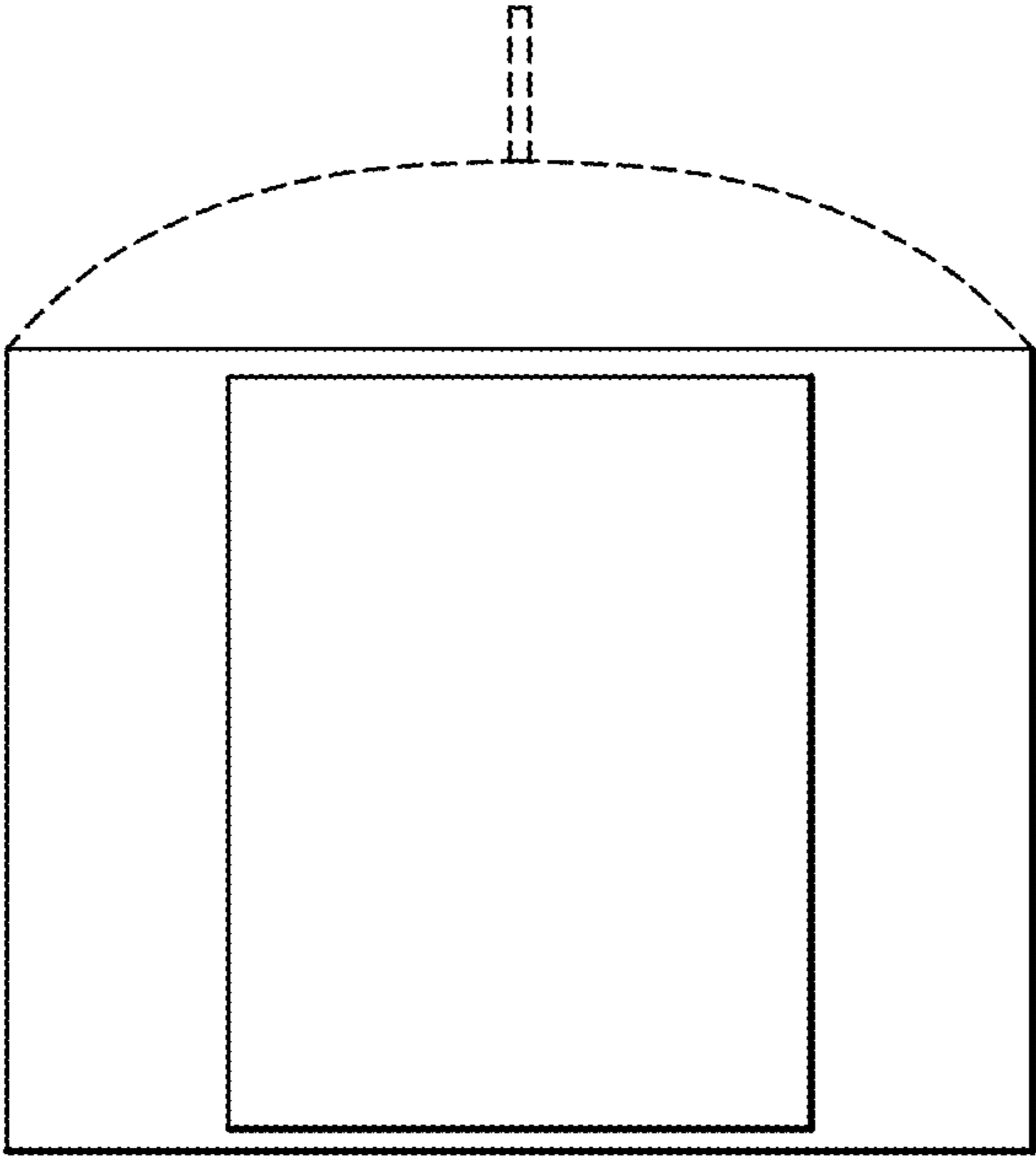


FIG.2

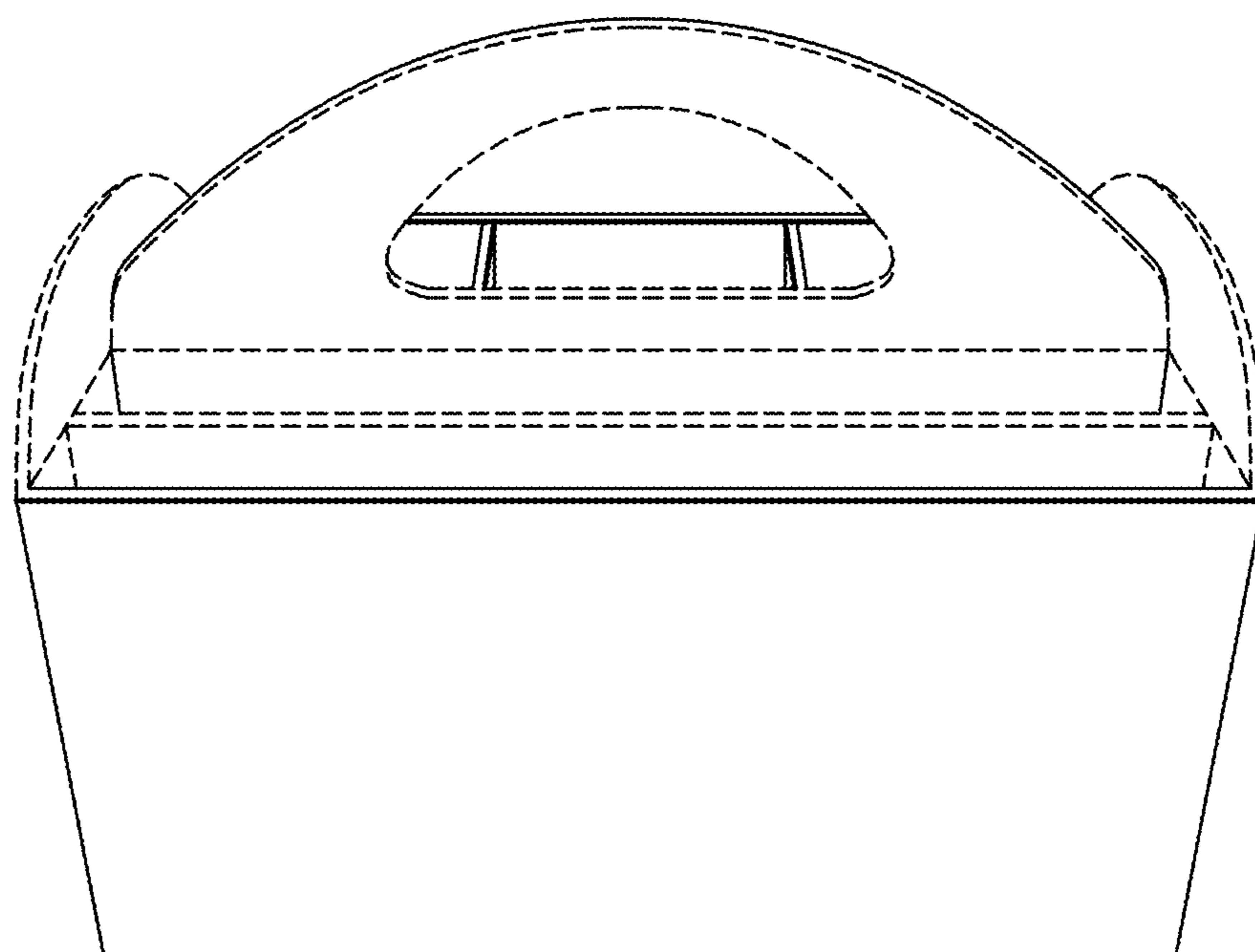


FIG.5

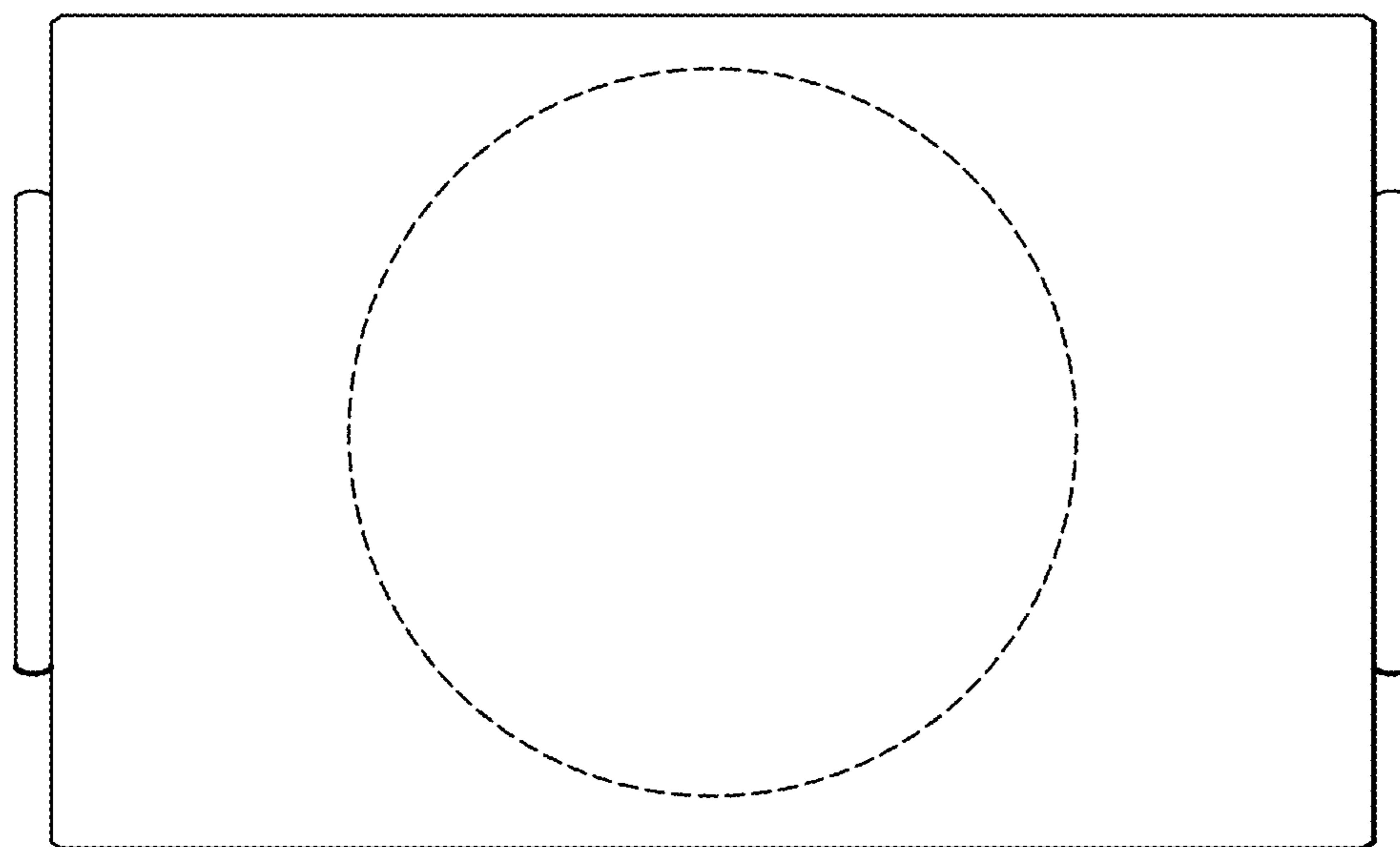


FIG.4

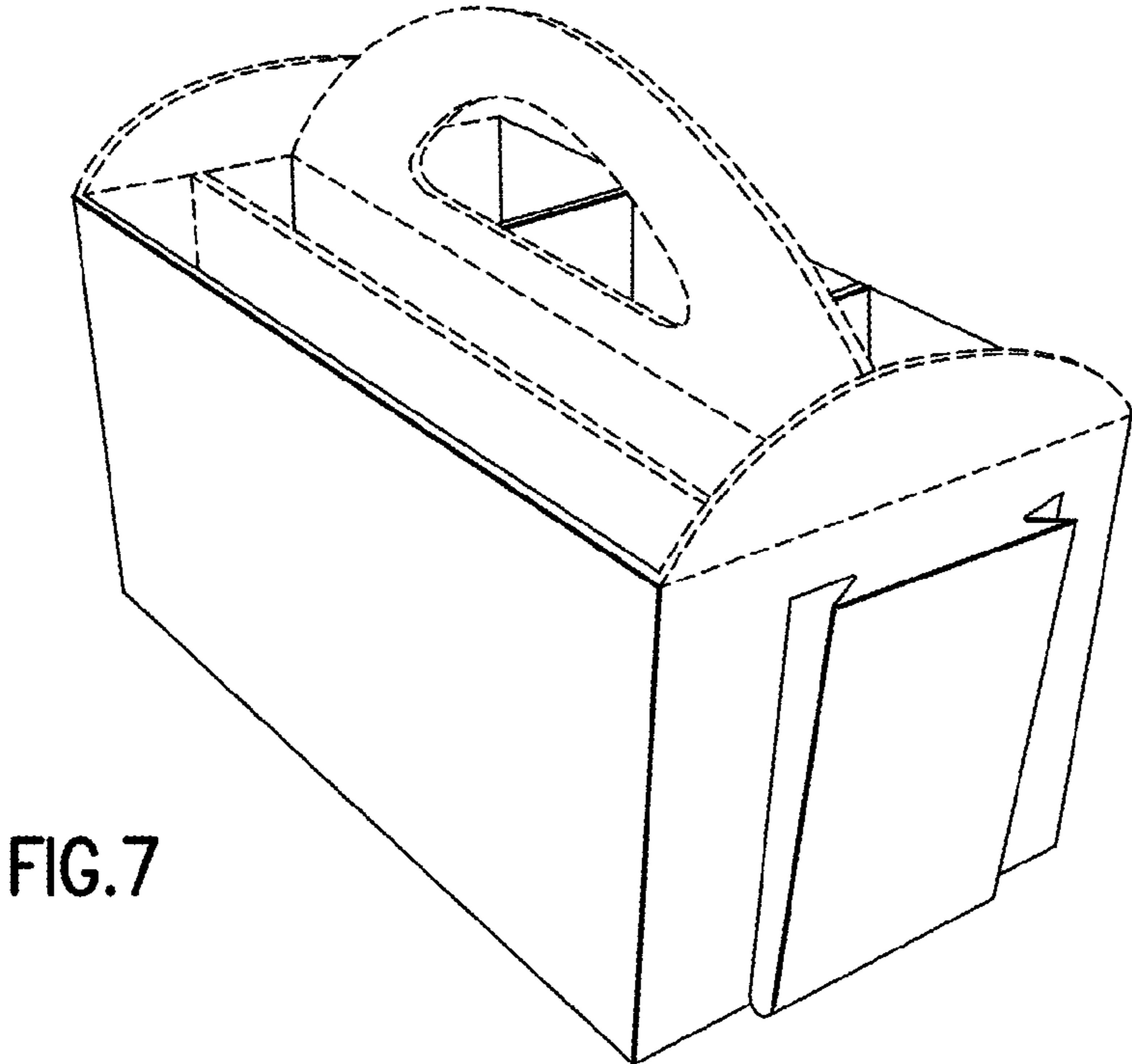


FIG. 7

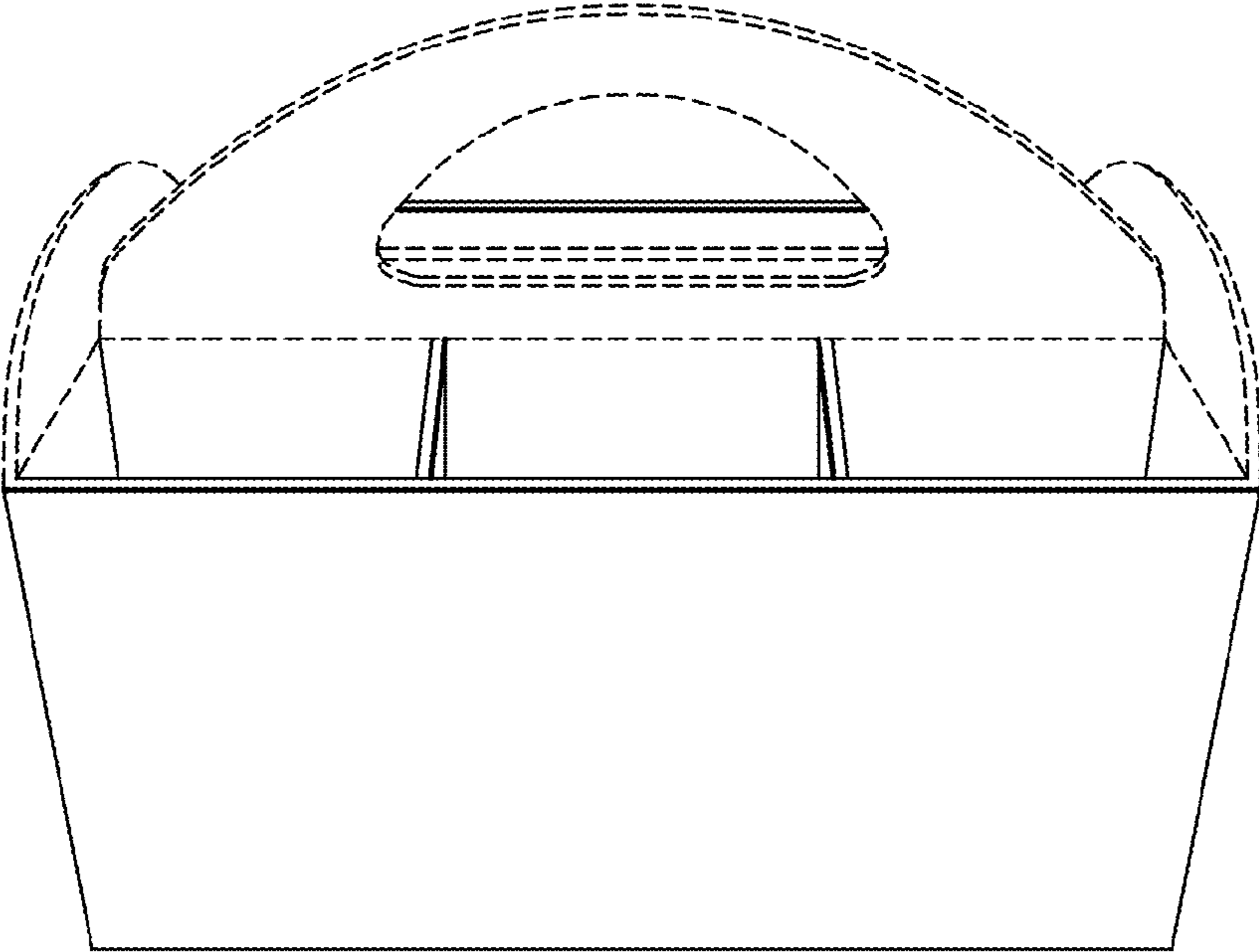


FIG. 6