



US00D757467S

(12) **United States Design Patent**  
**Do et al.**

(10) **Patent No.:** **US D757,467 S**  
(45) **Date of Patent:** **\*\* May 31, 2016**

(54) **DISPLAY UNIT**

(71) Applicant: **Samsung Electronics Co., Ltd.**,  
Suwon-si (KR)  
(72) Inventors: **Kyoung-Sub Do**, Seoul (KR); **Seo-Gyun Kim**,  
Suwon-si (KR); **Sung-Su Park**, Seoul (KR)  
(73) Assignee: **Samsung Electronics Co., Ltd.**,  
Suwon-si (KR)

(\*\*) Term: **14 Years**

(21) Appl. No.: **29/510,463**

(22) Filed: **Nov. 28, 2014**

(30) **Foreign Application Priority Data**

Jun. 5, 2014 (KR) ..... 30-2014-0027687

(51) **LOC (10) Cl.** ..... **06-06**

(52) **U.S. Cl.**  
USPC ..... **D6/678**

(58) **Field of Classification Search**  
USPC ..... D6/657, 661, 661.3, 663, 668, 672, 678,  
D6/691, 691.3; D14/340; D19/90; D20/10,  
D20/43  
CPC ..... A47B 67/00; A47F 5/0018; A47F 3/0404  
See application file for complete search history.

(56) **References Cited**

U.S. PATENT DOCUMENTS

D356,908 S *	4/1995	Johansson .....	D6/661
D564,786 S *	3/2008	Mayer .....	D6/668.2
D581,380 S *	11/2008	Derocher .....	D14/127
D618,644 S *	6/2010	Graham .....	D14/127
D679,707 S *	4/2013	Aarrestad .....	D14/127
D684,991 S *	6/2013	Wenz .....	D14/488
D697,862 S *	1/2014	Nemeth .....	D12/192
D699,487 S *	2/2014	Trinh .....	D6/553
D711,217 S *	8/2014	Jacobs .....	D9/414
D725,108 S *	3/2015	Yeon .....	D14/376

\* cited by examiner

*Primary Examiner* — Kelley Donnelly  
(74) *Attorney, Agent, or Firm* — NSIP Law

(57) **CLAIM**

We claim the ornamental design for a display unit, as shown and described.

**DESCRIPTION**

FIG. 1 is a front perspective view of a display unit showing our new design;  
FIG. 2 is a front view thereof;  
FIG. 3 is a rear view thereof;  
FIG. 4 is a left-side view thereof;  
FIG. 5 is a right-side view thereof;  
FIG. 6 is a top view thereof; and,  
FIG. 7 is a bottom view thereof.

**1 Claim, 5 Drawing Sheets**

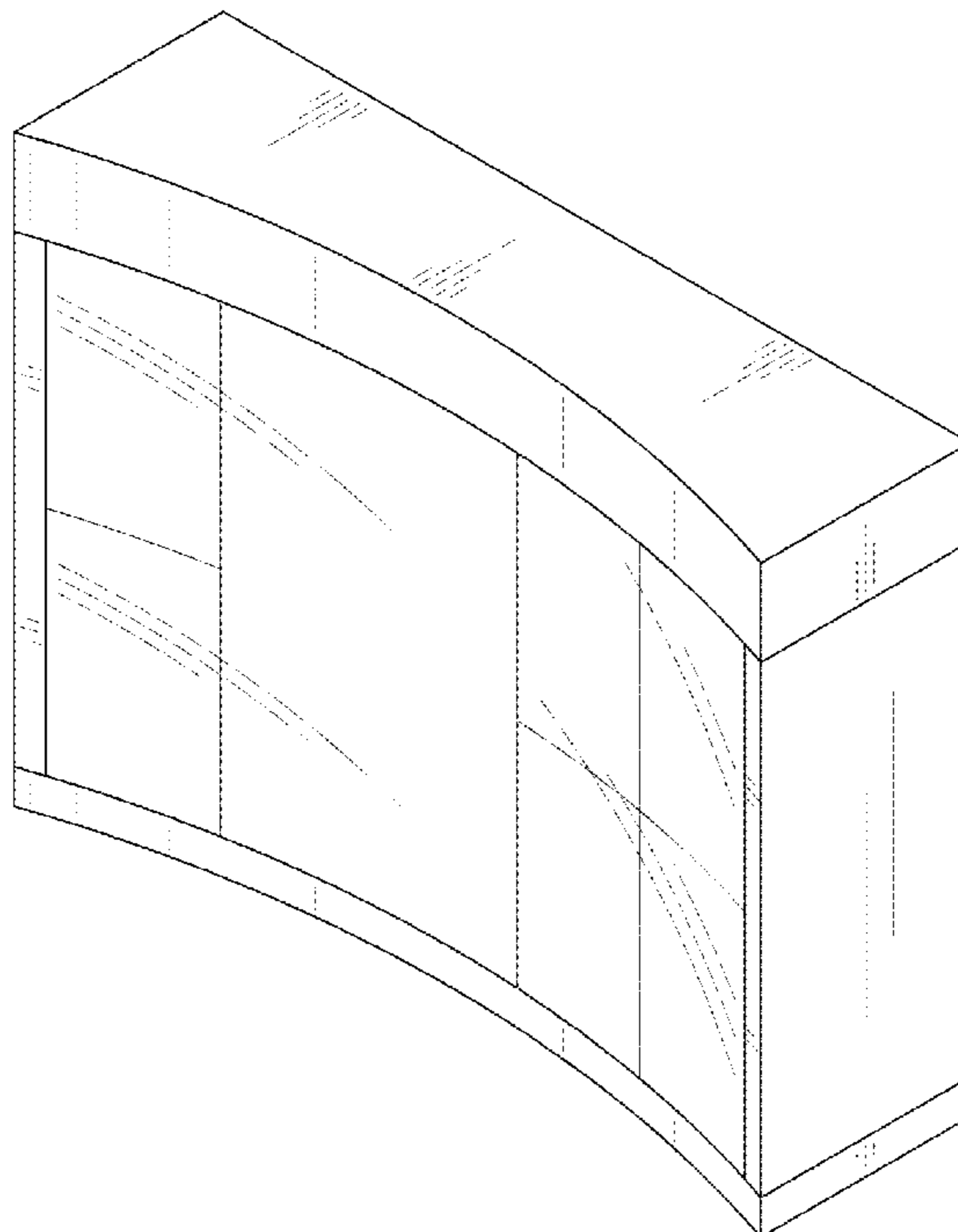


FIG. 1

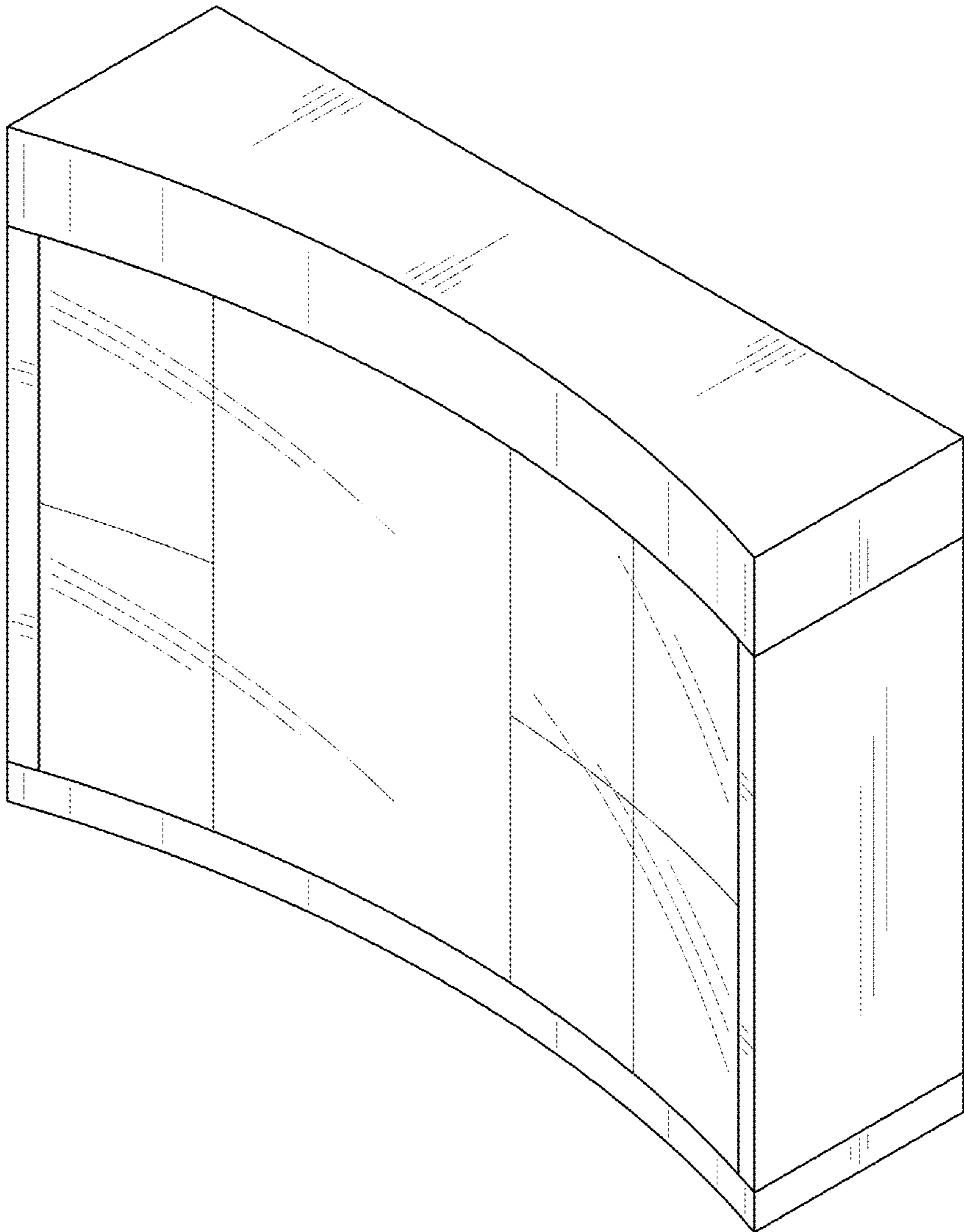


FIG. 2

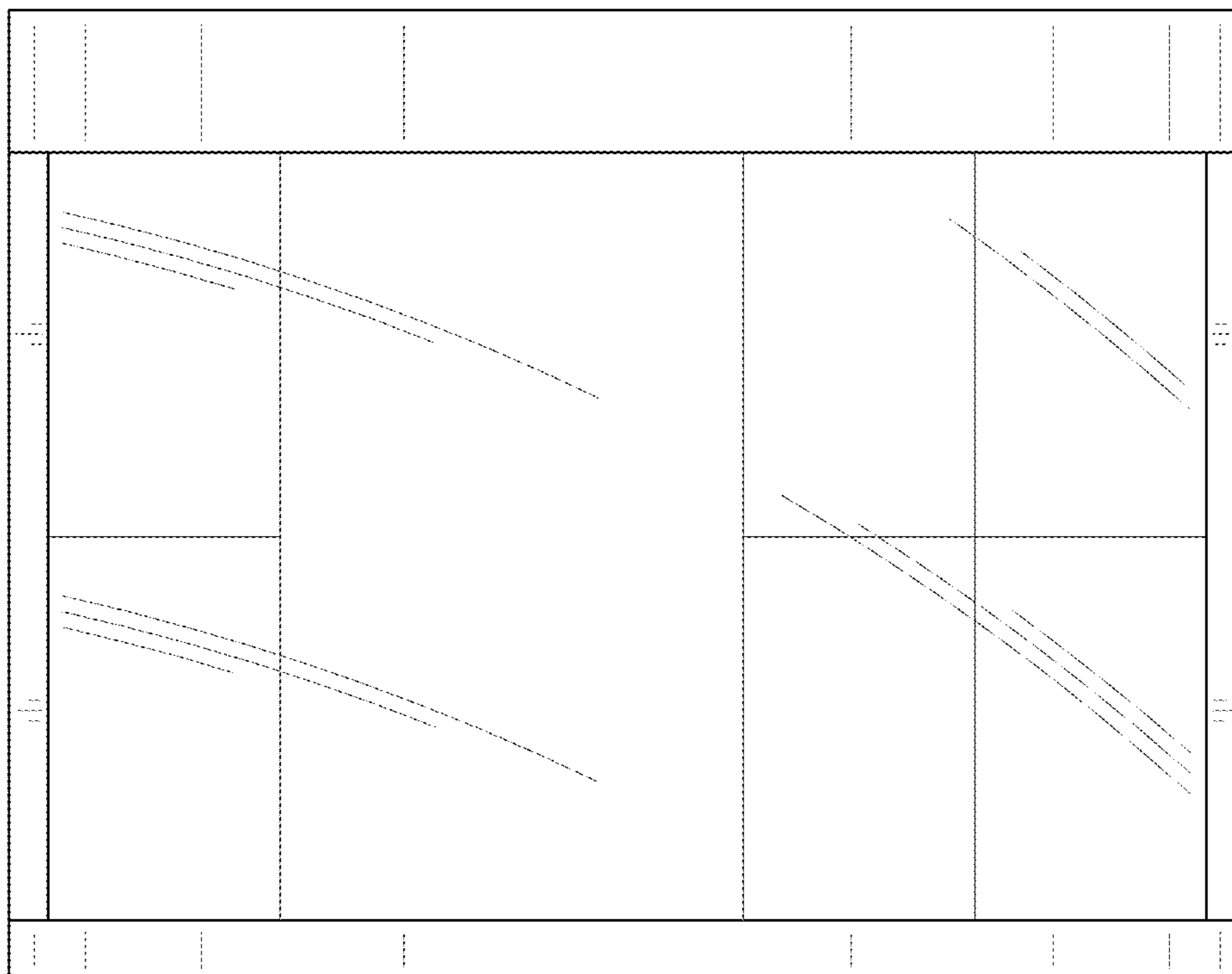


FIG. 3

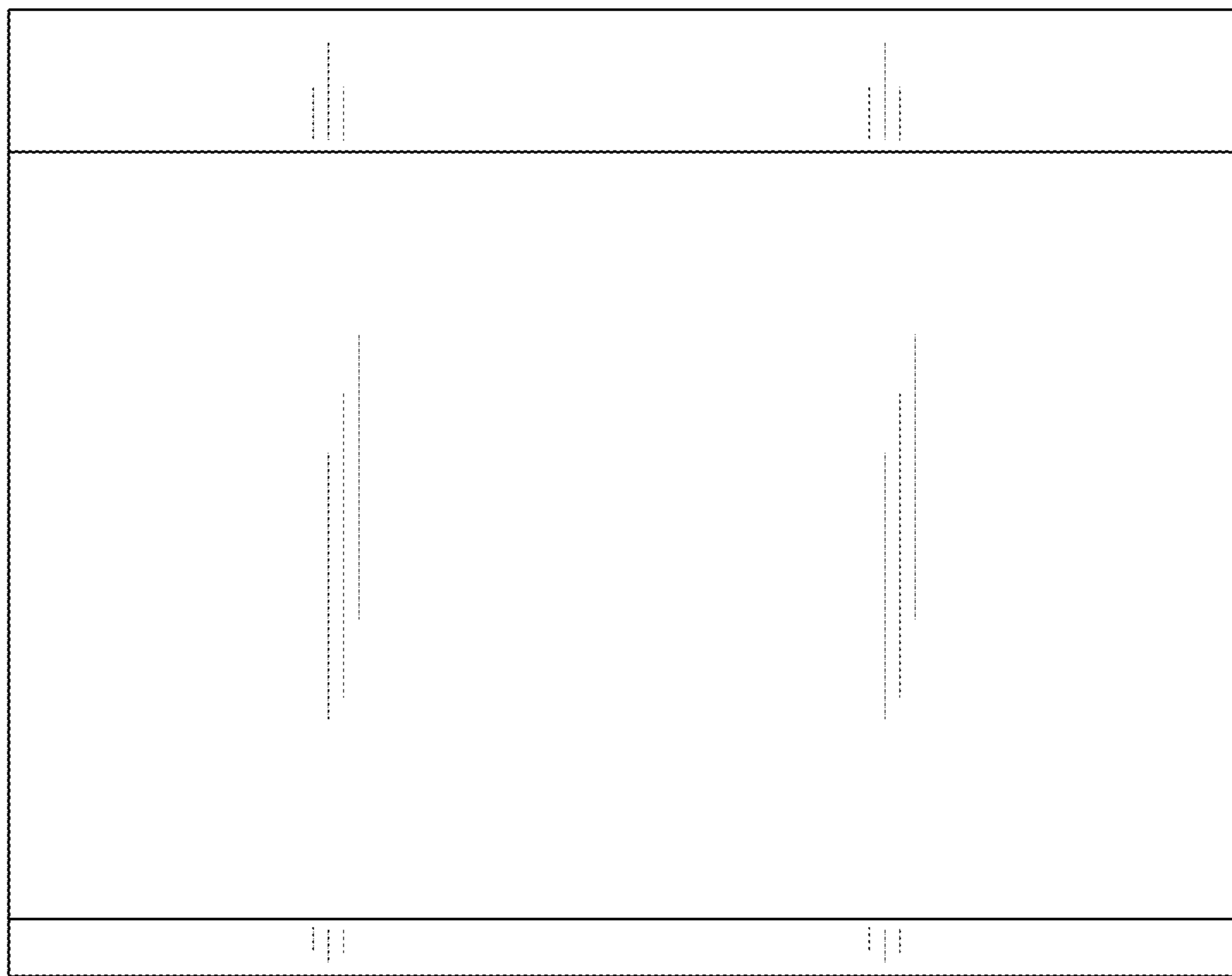


FIG. 4

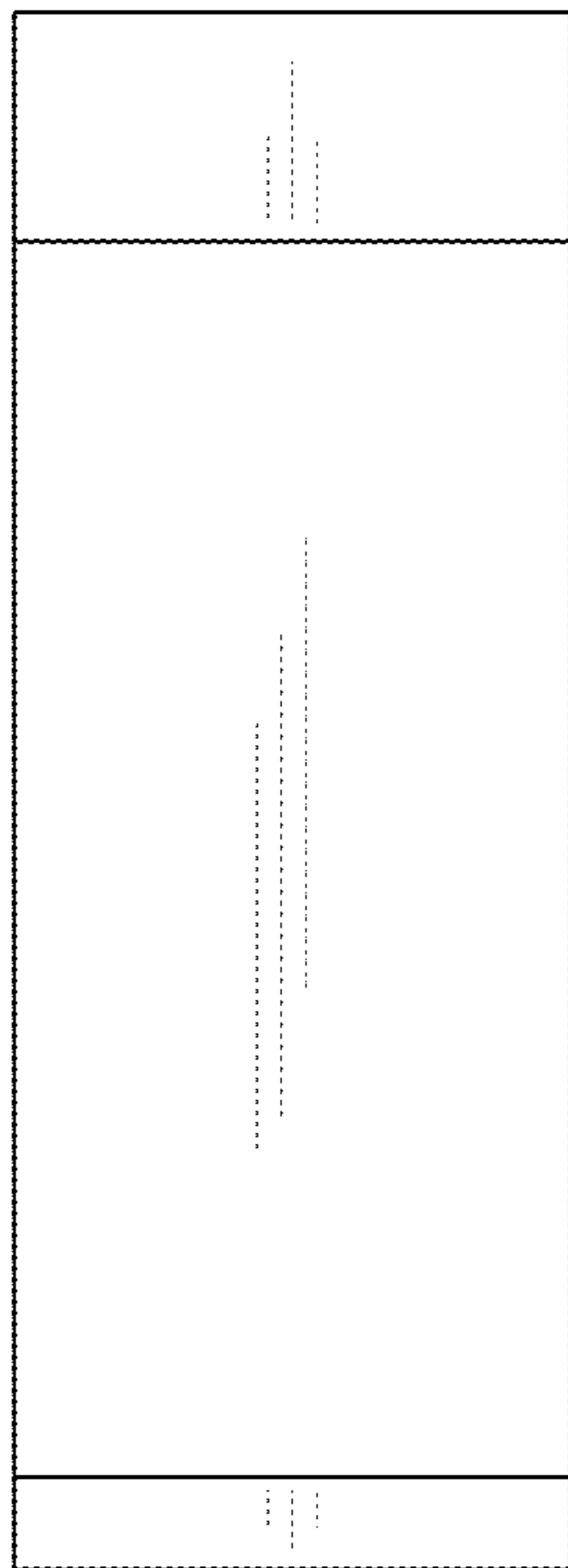


FIG. 5

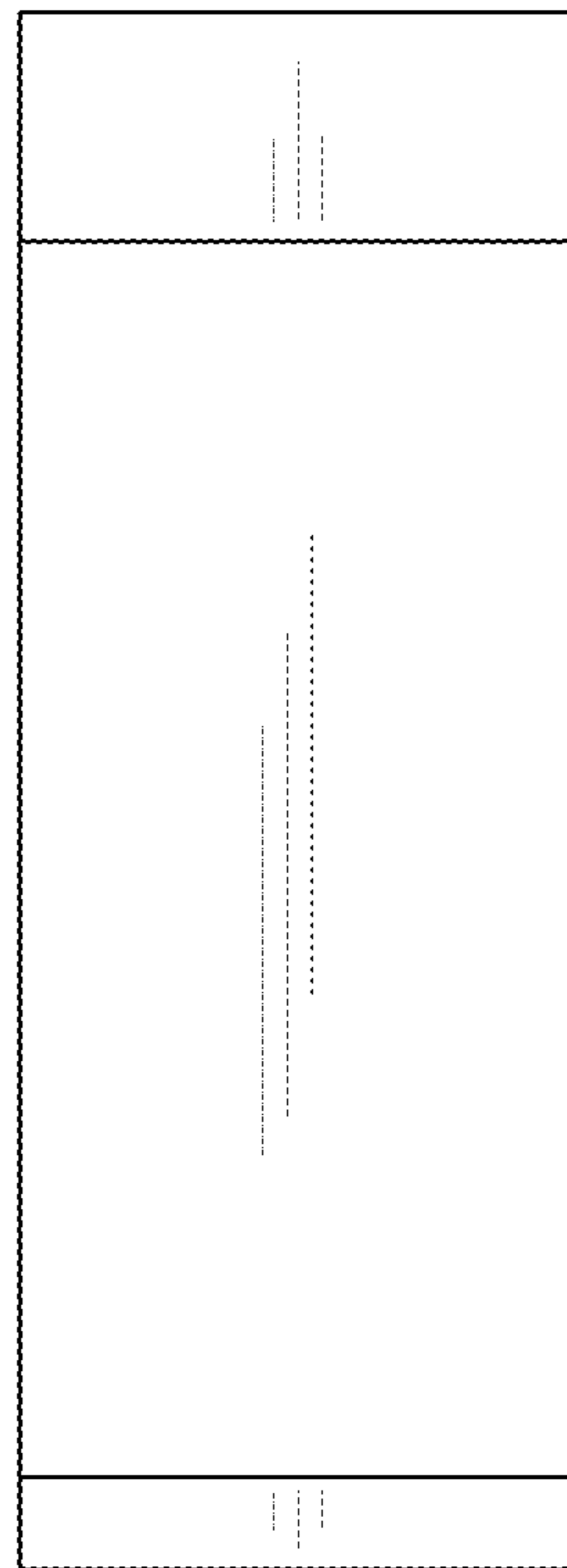


FIG. 6

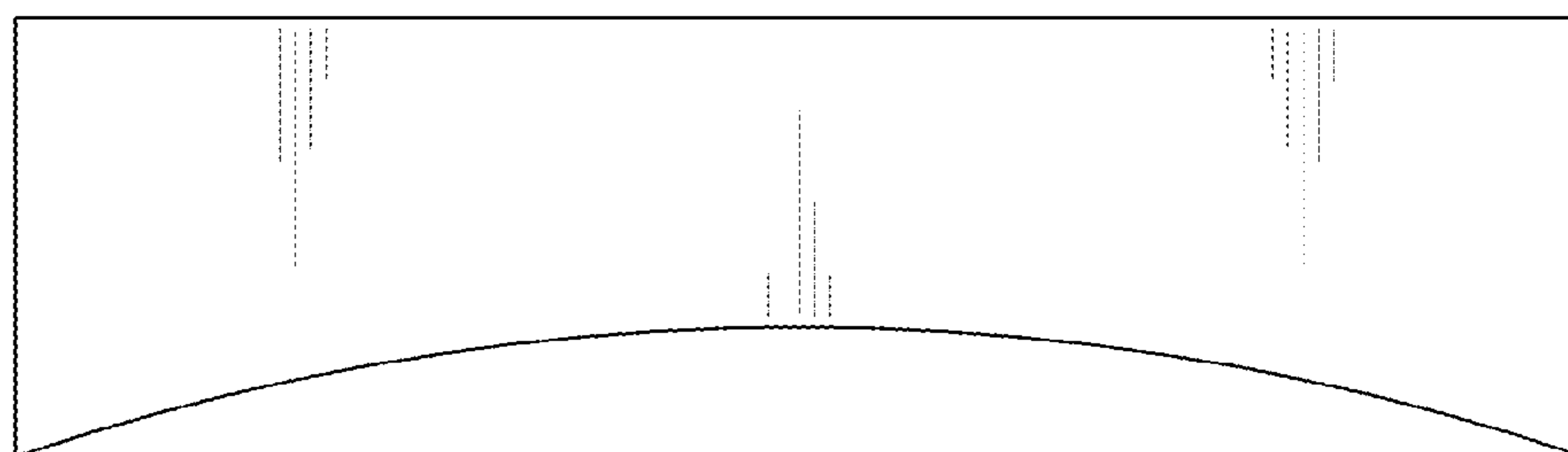


FIG. 7

