



US00D757464S

(12) **United States Design Patent**
Chiang

(10) **Patent No.:** **US D757,464 S**
(45) **Date of Patent:** **** May 31, 2016**

(54) **COMBINED FOLDABLE DESK AND USB HUB**

6,041,723 A * 3/2000 Peterson A47B 3/00
108/115

(71) Applicant: **Ming Chiang**, Amityville, NY (US)

D424,325 S * 5/2000 Iannaccone D6/655
2008/0061662 A1 * 3/2008 Lin A47B 21/03
312/223.3

(72) Inventor: **Ming Chiang**, Amityville, NY (US)

* cited by examiner

(**) Term: **14 Years**

Primary Examiner — Janice Seeger

(21) Appl. No.: **29/498,534**

(74) *Attorney, Agent, or Firm* — F. Chau & Associates, LLC

(22) Filed: **Aug. 5, 2014**

(57) **CLAIM**

The ornamental design for a combined foldable desk and USB hub, as shown and described.

(51) **LOC (10) Cl.** **06-03**

DESCRIPTION

(52) **U.S. Cl.**

USPC **D6/642**; D6/691.9; D6/655

(58) **Field of Classification Search**

USPC D6/642, 691, 655, 691.9, 691.8, 655.18,
D6/655.21, 656

CPC A47B 3/00; A47B 2200/0081; A47B
2021/064; A47B 2021/066; A47B 2021/068;
A47B 41/00; A47B 21/00; A47B 17/00;
A47B 17/003; A47B 17/006

See application file for complete search history.

FIG. 1 is a perspective view of a design for a combined foldable desk and USB hub, when the desk is completely unfolded, in accordance with the present invention;

FIG. 2 is a zoomed-in view of a portion of the perspective view about the USB hub, in accordance with the present invention;

FIG. 3 is view underneath the perspective view with a tray of the desk moved to a position to enable a view of the bottom of the USB hub, in accordance with the present invention;

FIG. 4 is a zoomed-in view of the view underneath the perspective view, in accordance with the present invention;

FIG. 5 is a back bottom view of the perspective view, in accordance with the present invention;

FIG. 6 is a side view of the perspective view, in accordance with the present invention;

FIG. 7 is a bottom view of the perspective view, when the desk is partially folded (i.e., both legs are folded, but desk portion unfolded), in accordance with the present invention; and,

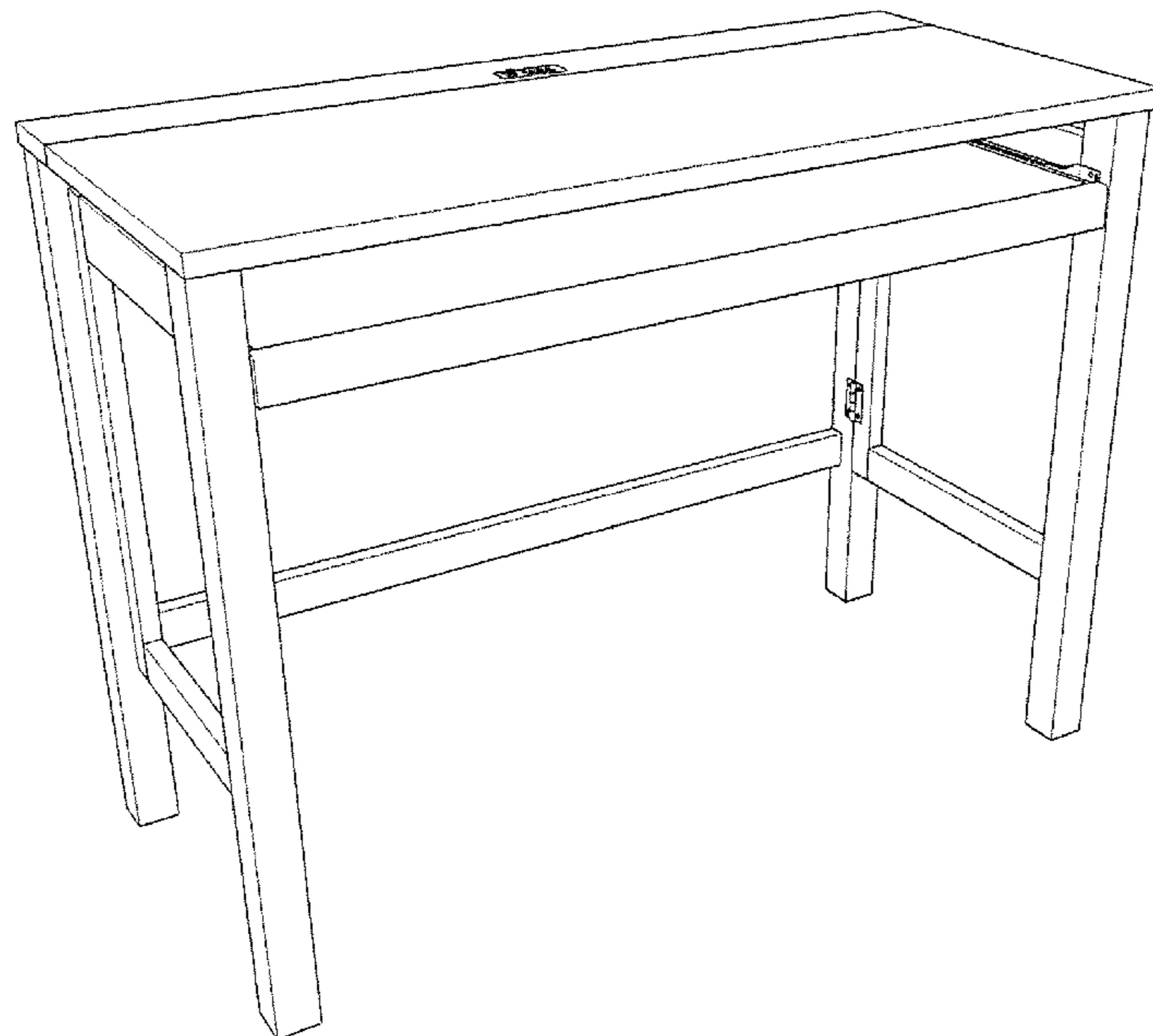
FIG. 8 is a bottom view of the perspective view, when the desk is completely folded (i.e., both legs and desk portion are folded), in accordance with the present invention.

(56) **References Cited**

U.S. PATENT DOCUMENTS

1,158,212 A * 10/1915 Henderson A47C 4/10
108/115
D103,250 S * 2/1937 Parrish D6/655
D242,102 S * 11/1976 Stirling D6/656.16
4,792,881 A * 12/1988 Wilson A47B 21/06
312/223.6

1 Claim, 8 Drawing Sheets



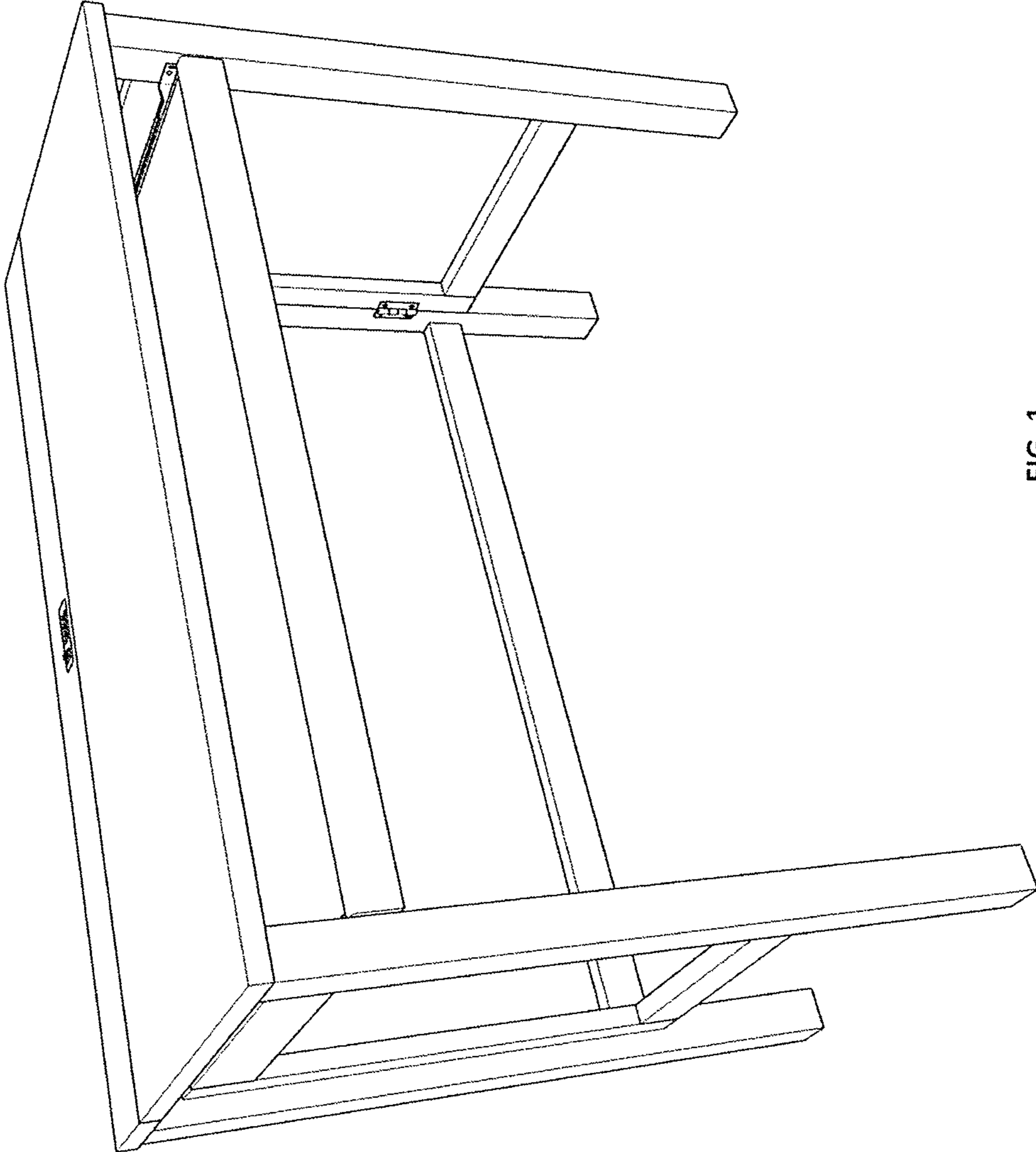


FIG. 1

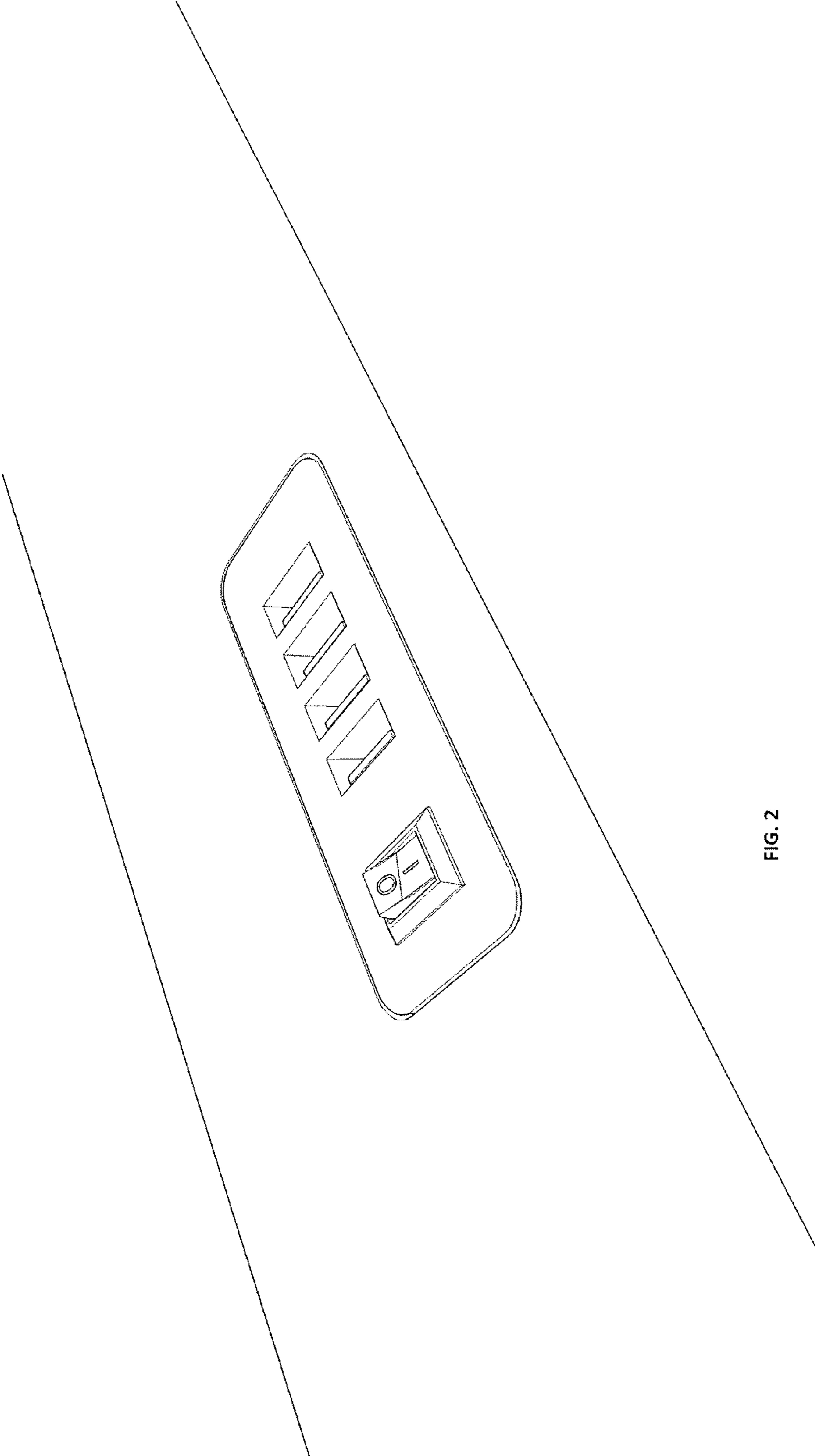


FIG. 2

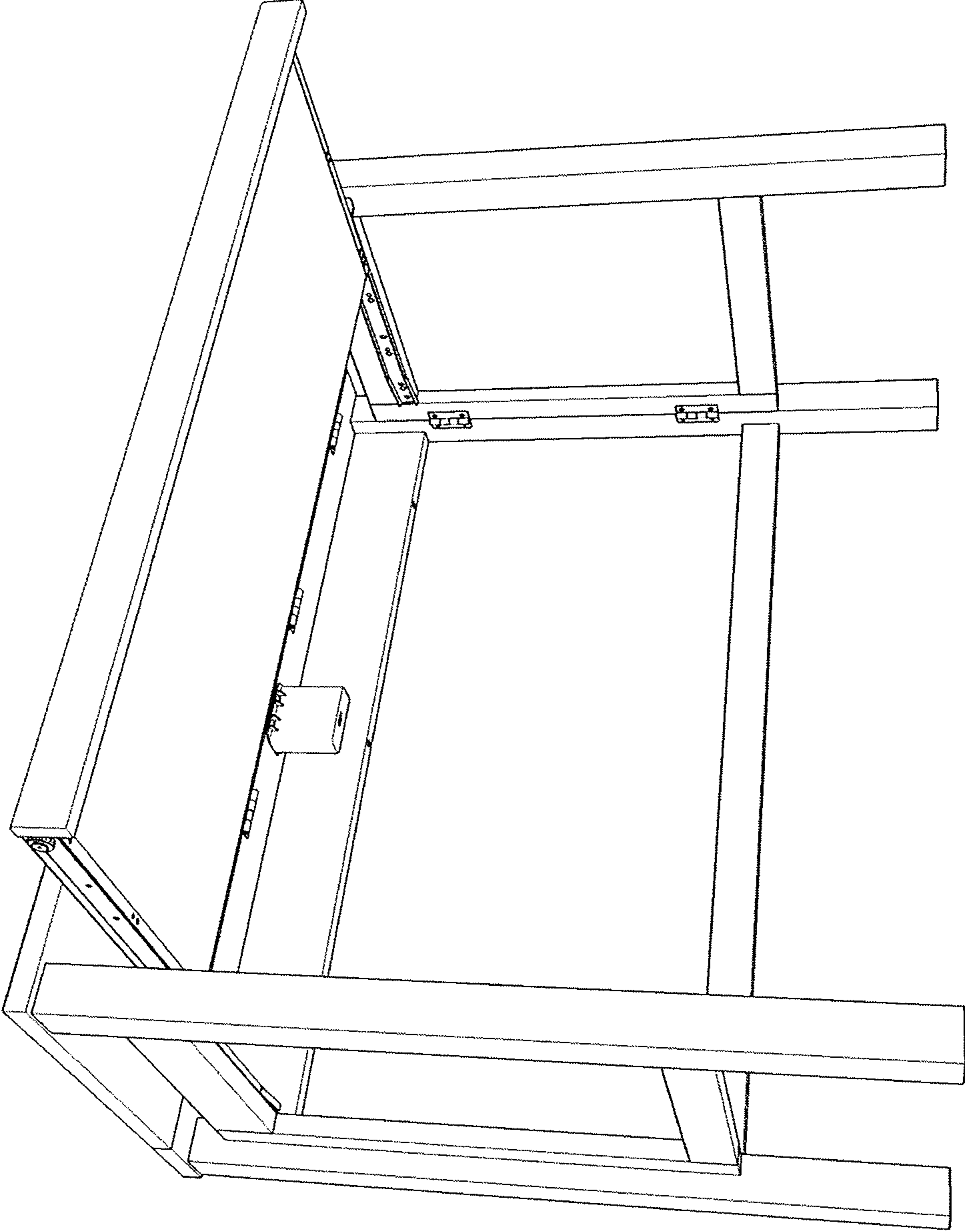


FIG. 3

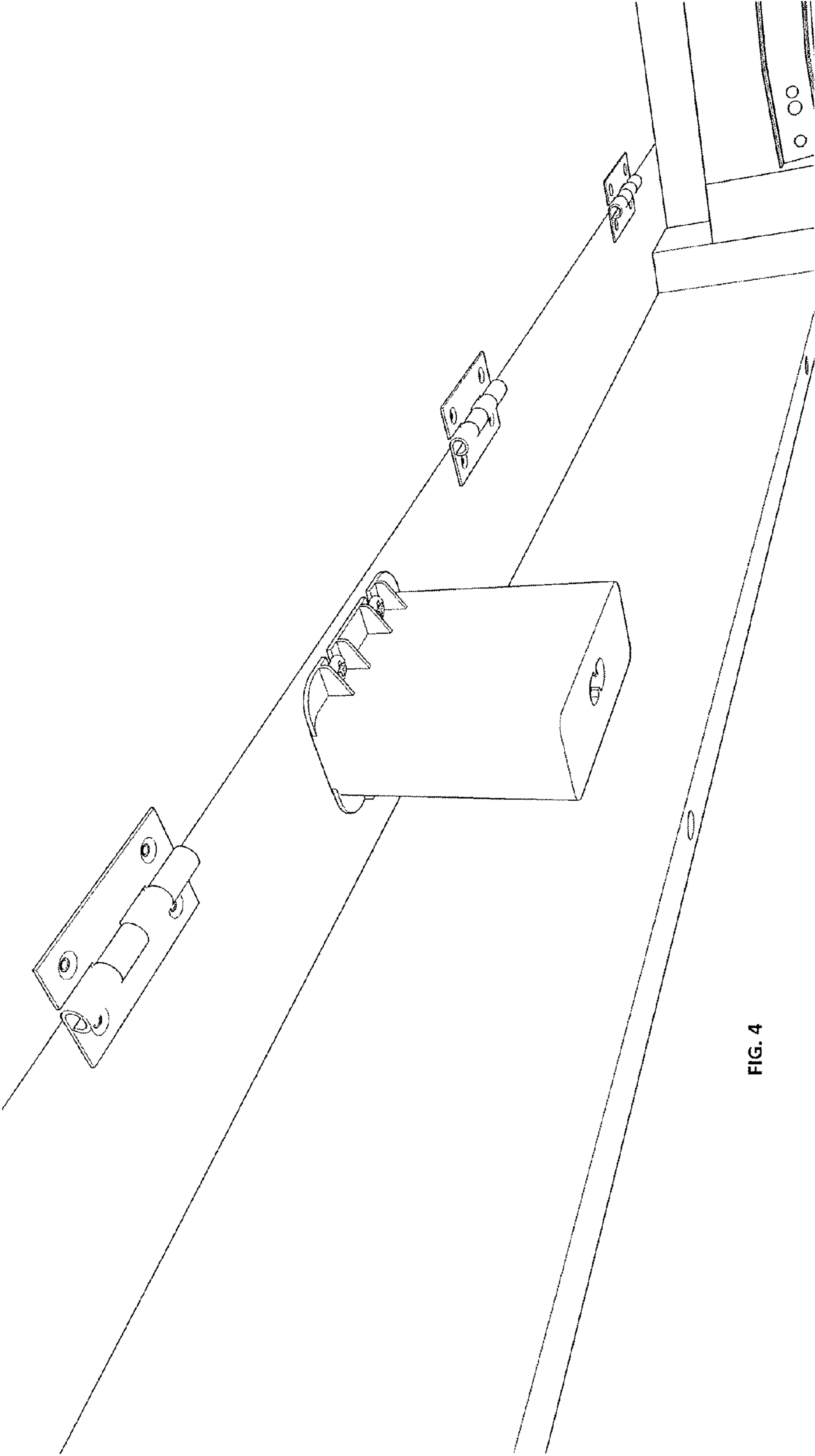


FIG. 4

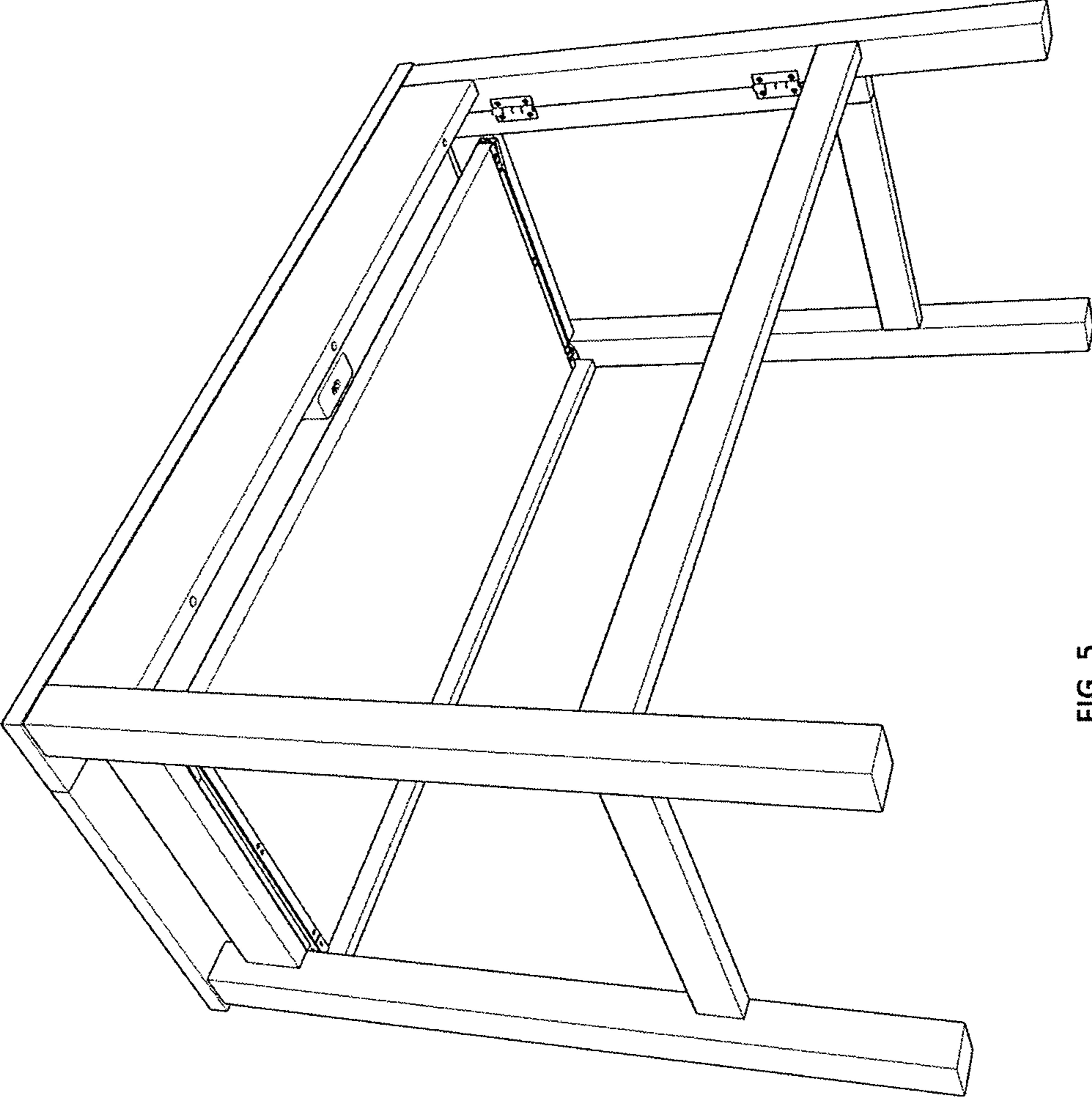


FIG. 5

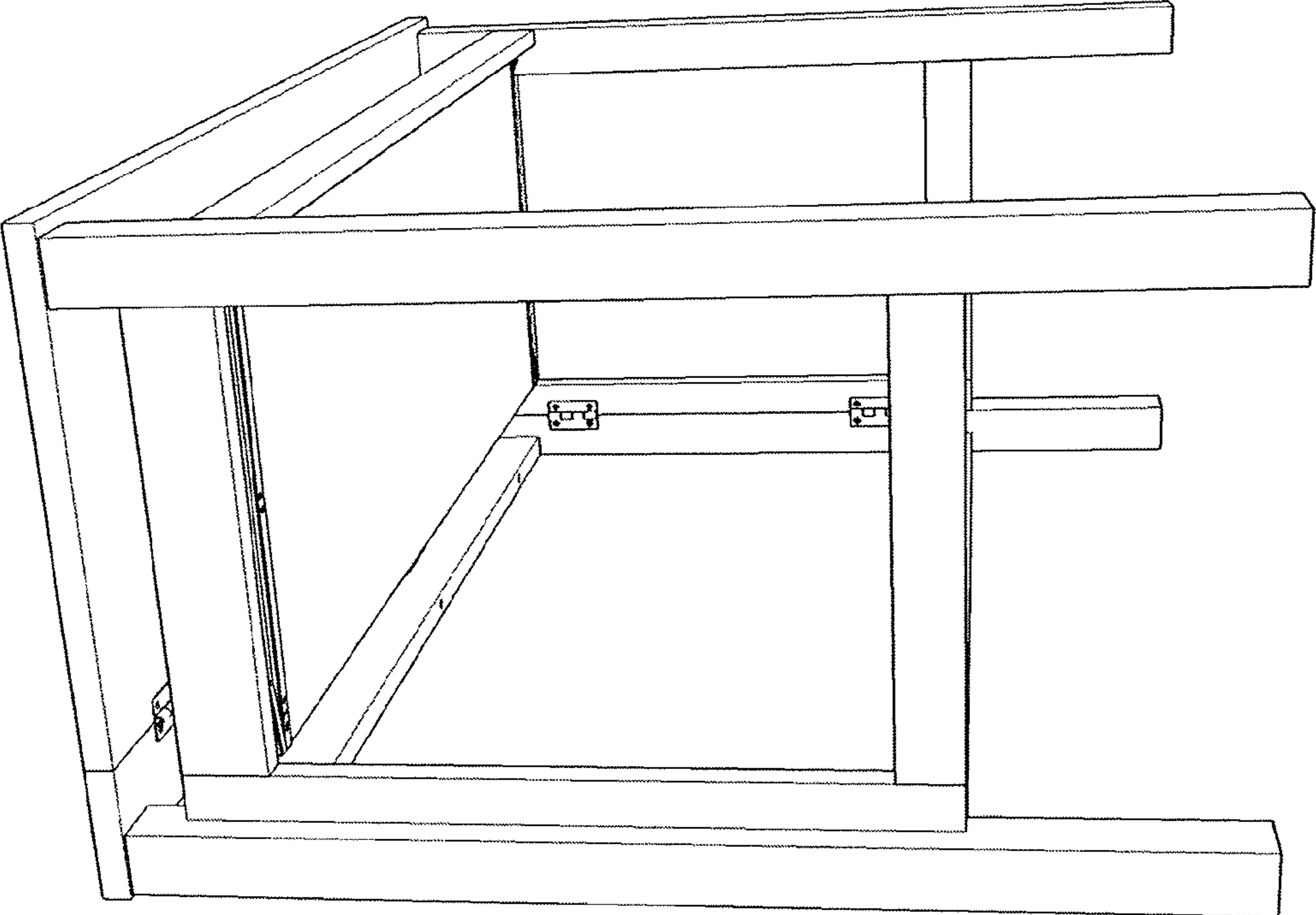


FIG. 6

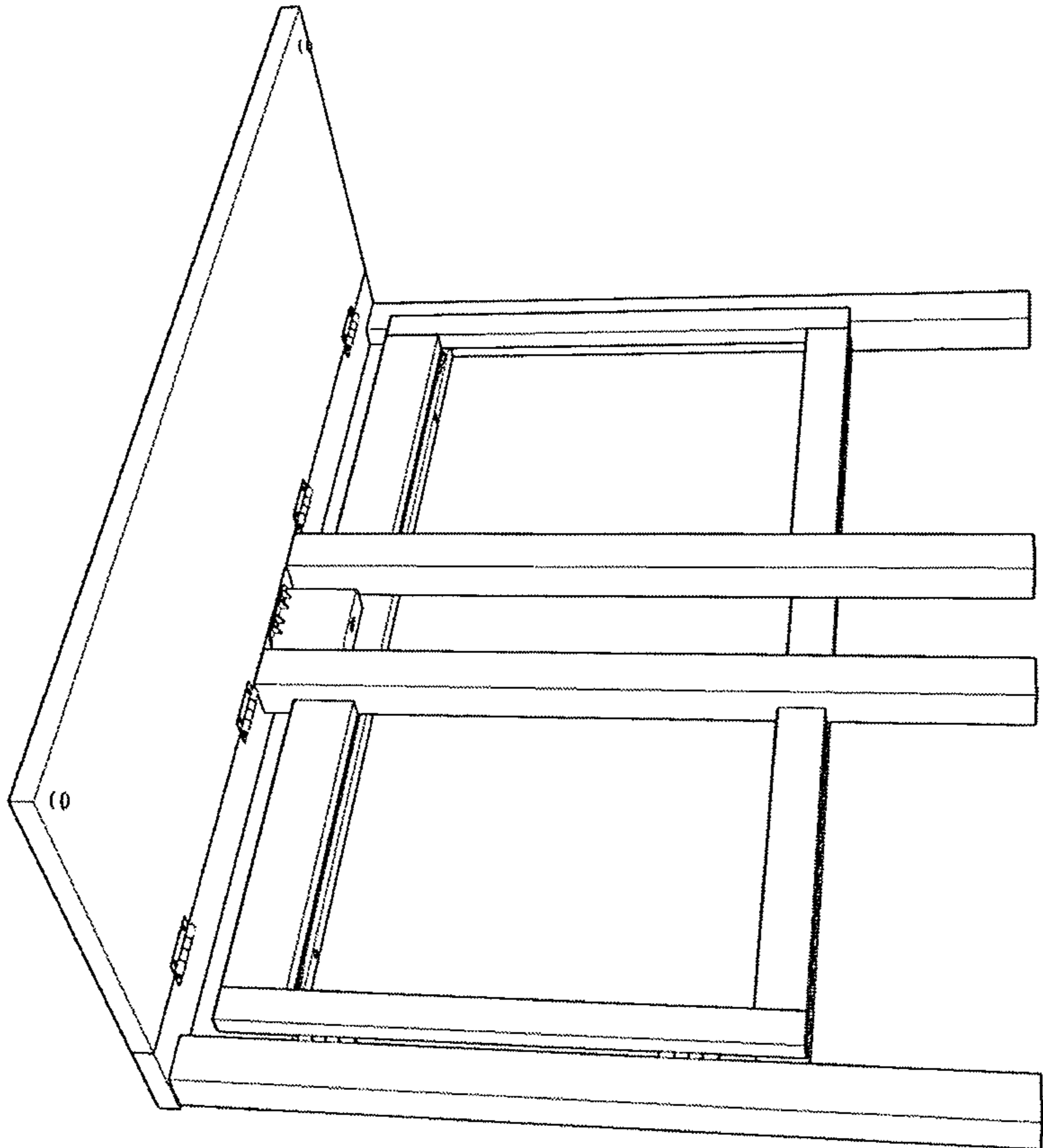


FIG. 7

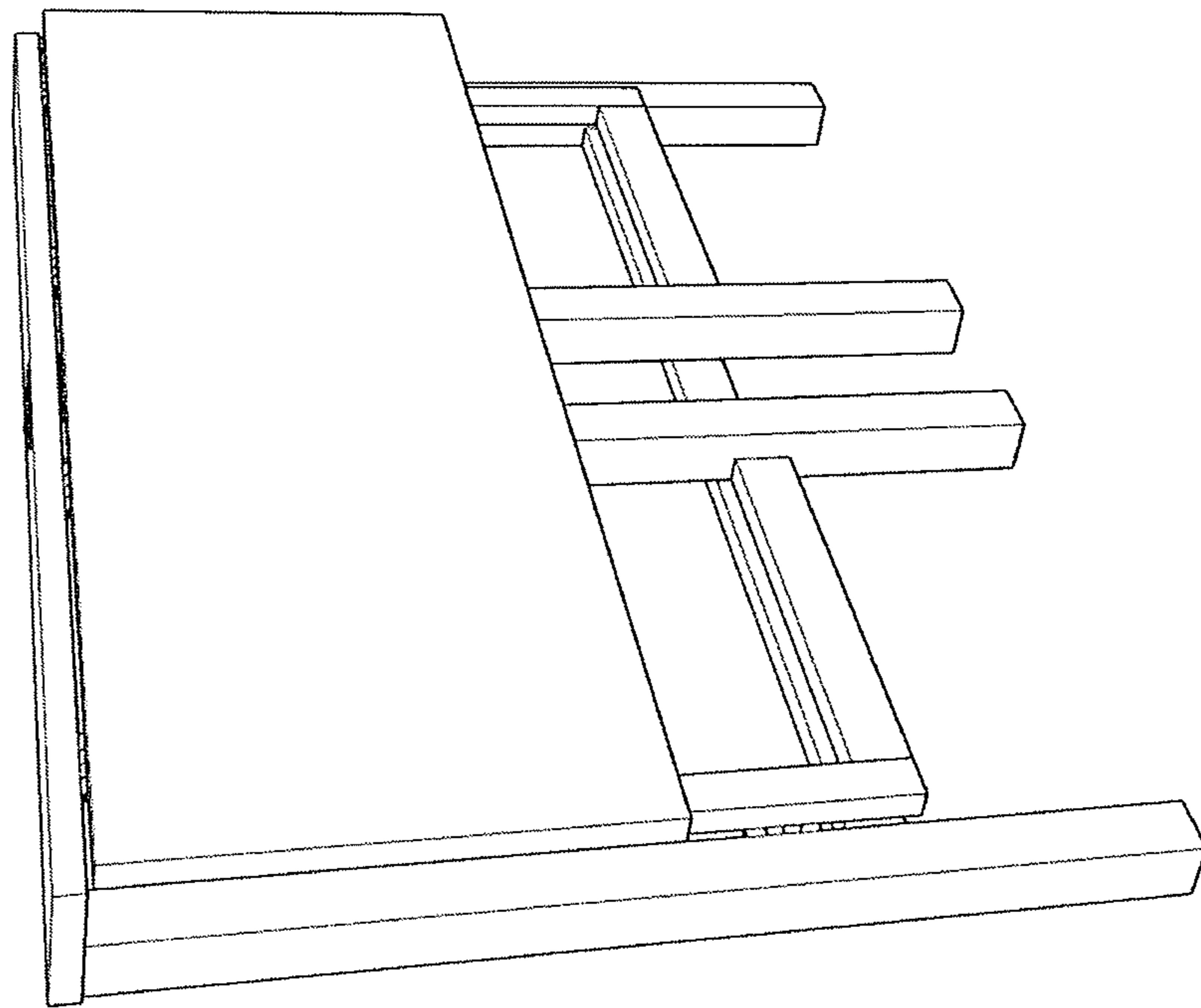


FIG. 8