



US00D757460S

(12) **United States Design Patent**
Goodman et al.

(10) **Patent No.:** **US D757,460 S**
(45) **Date of Patent:** **** May 31, 2016**

(54) **HOLDER**

- (71) Applicant: **Spectrum Diversified Designs, Inc.**,
Streetsboro, OH (US)
- (72) Inventors: **Sheldon H. Goodman**, Solon, OH (US);
Phaysouk Xayoiphonh, Akron, OH
(US); **Jennifer K. Case**, Middleburg
Heights, OH (US)
- (73) Assignee: **Spectrum Diversified Designs, LLC**,
Streetsboro, OH (US)
- (**) Term: **14 Years**
- (21) Appl. No.: **29/503,187**
- (22) Filed: **Sep. 24, 2014**
- (51) **LOC (10) Cl.** **06-04**
- (52) **U.S. Cl.**
USPC **D6/566**
- (58) **Field of Classification Search**
USPC D6/556, 524, 525, 534, 540, 566;
211/75, 86.01, 88.01, 90.03, 106, 119,
211/126.1, 133.5, 181.1
CPC A47K 17/00; A47K 3/281; B23P 17/04;
A47B 57/265; A47B 57/565; A47B 57/26
See application file for complete search history.

(56) **References Cited**

U.S. PATENT DOCUMENTS

D399,381 S	*	10/1998	Hoernig	D6/566
D449,480 S	*	10/2001	Snell	D6/525
D450,213 S	*	11/2001	Snell	D6/566
D451,742 S	*	12/2001	Jones	D6/556
D563,708 S	*	3/2008	Snell	D6/566
D612,648 S	*	3/2010	Guindi	D6/525
D637,850 S	*	5/2011	Ghiorghie	D3/306
D747,932 S	*	1/2016	Goodman	D7/601

* cited by examiner

Primary Examiner — Wan Laymon

Assistant Examiner — Mark Booker

(74) *Attorney, Agent, or Firm* — Renner, Otto, Boisselle & Sklar, LLP

(57) **CLAIM**

The ornamental design for a holder, as shown and described.

DESCRIPTION

FIG. 1 is a perspective view of a holder showing our new design.

FIG. 2 is a front view thereof.

FIG. 3 is a rear view thereof.

FIG. 4 is a left side view thereof.

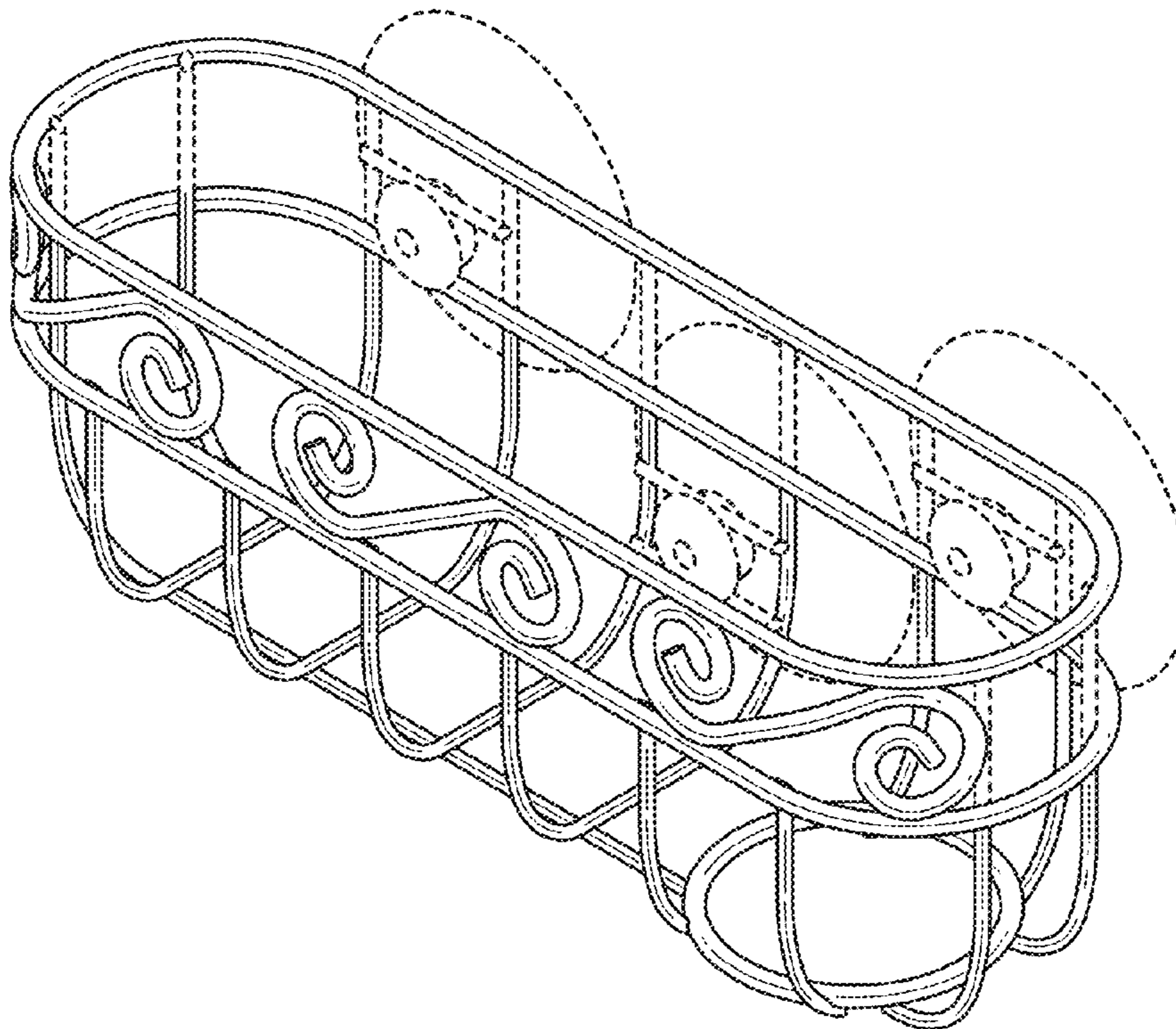
FIG. 5 is a right side view thereof.

FIG. 6 is a top view thereof; and,

FIG. 7 is a bottom view thereof.

The broken lines shown in the figures represent portions of the holder that form no part of the claimed design.

1 Claim, 4 Drawing Sheets



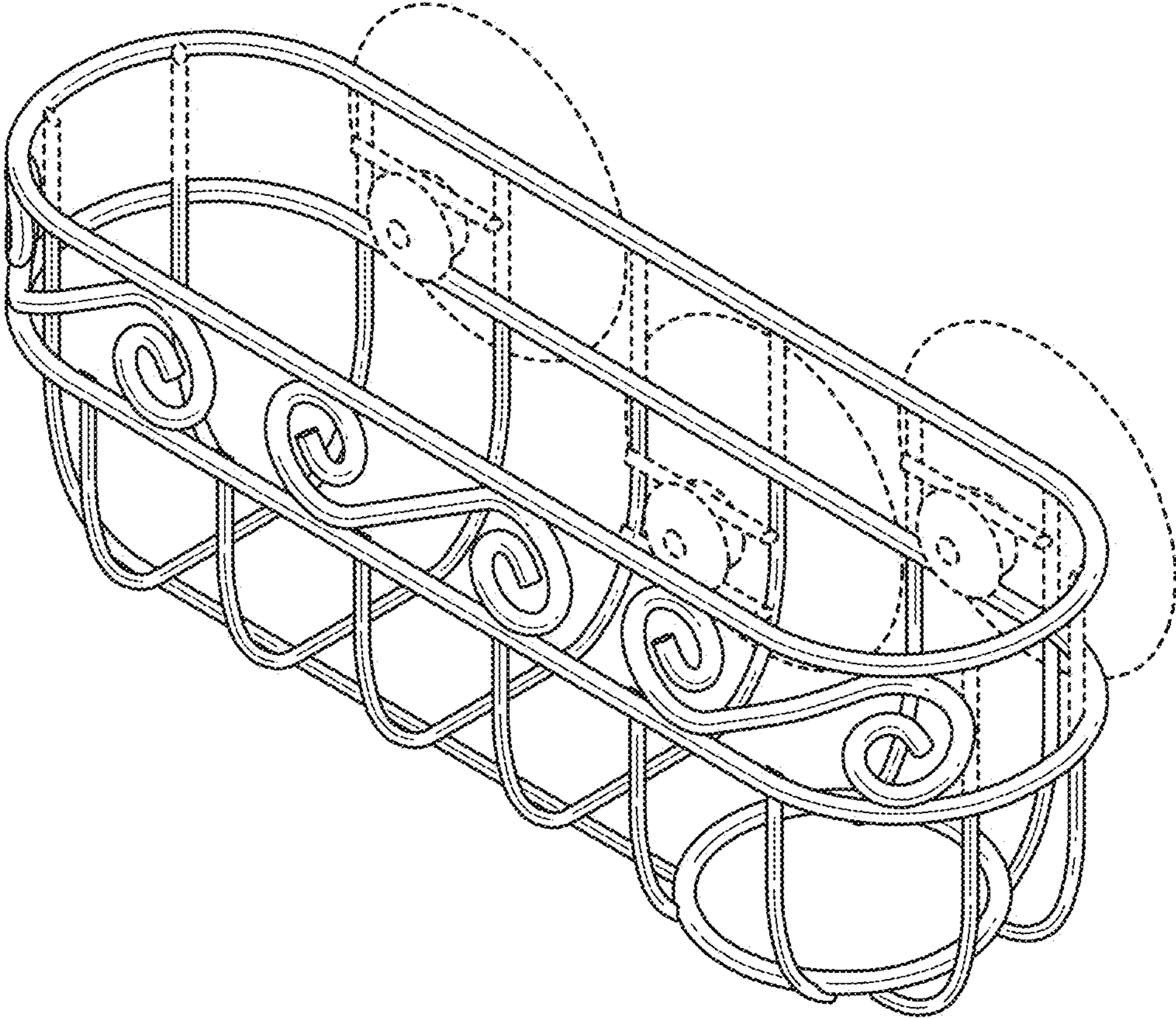


FIG. 1

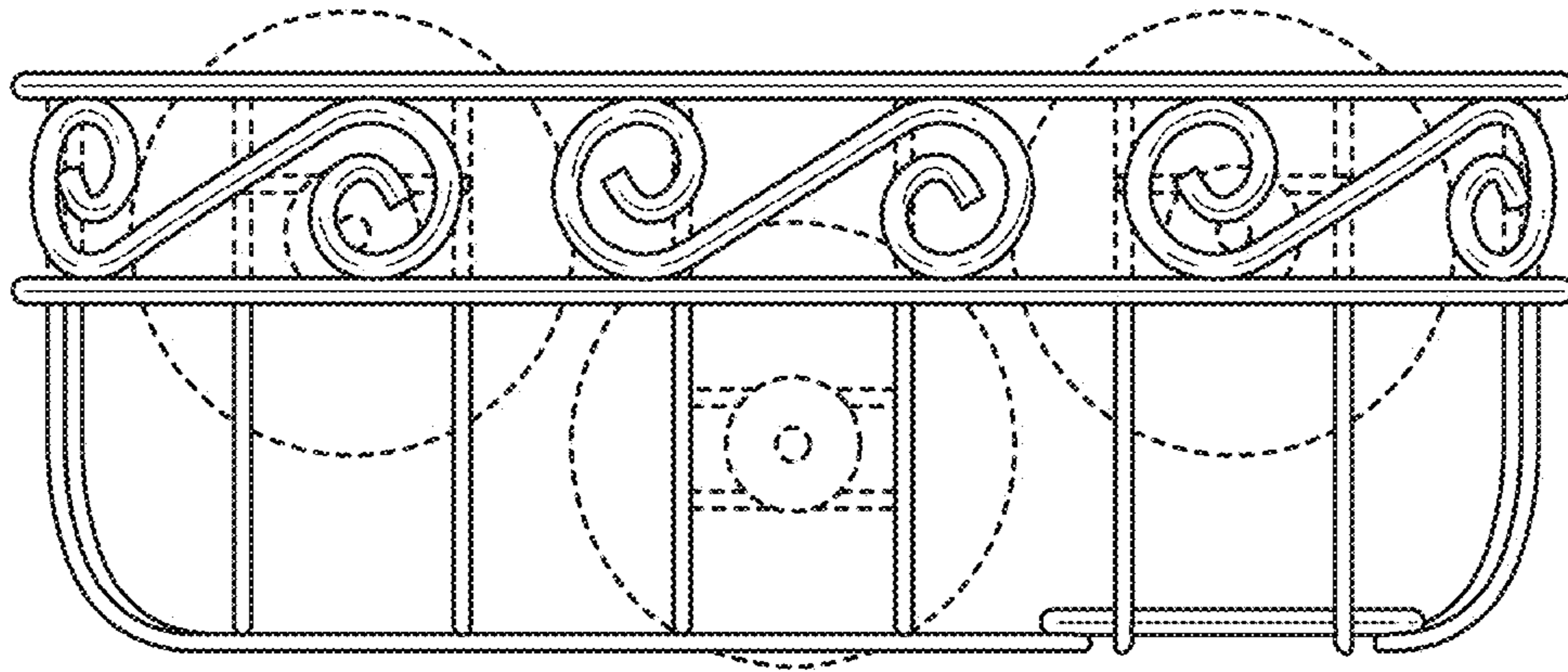


FIG. 2

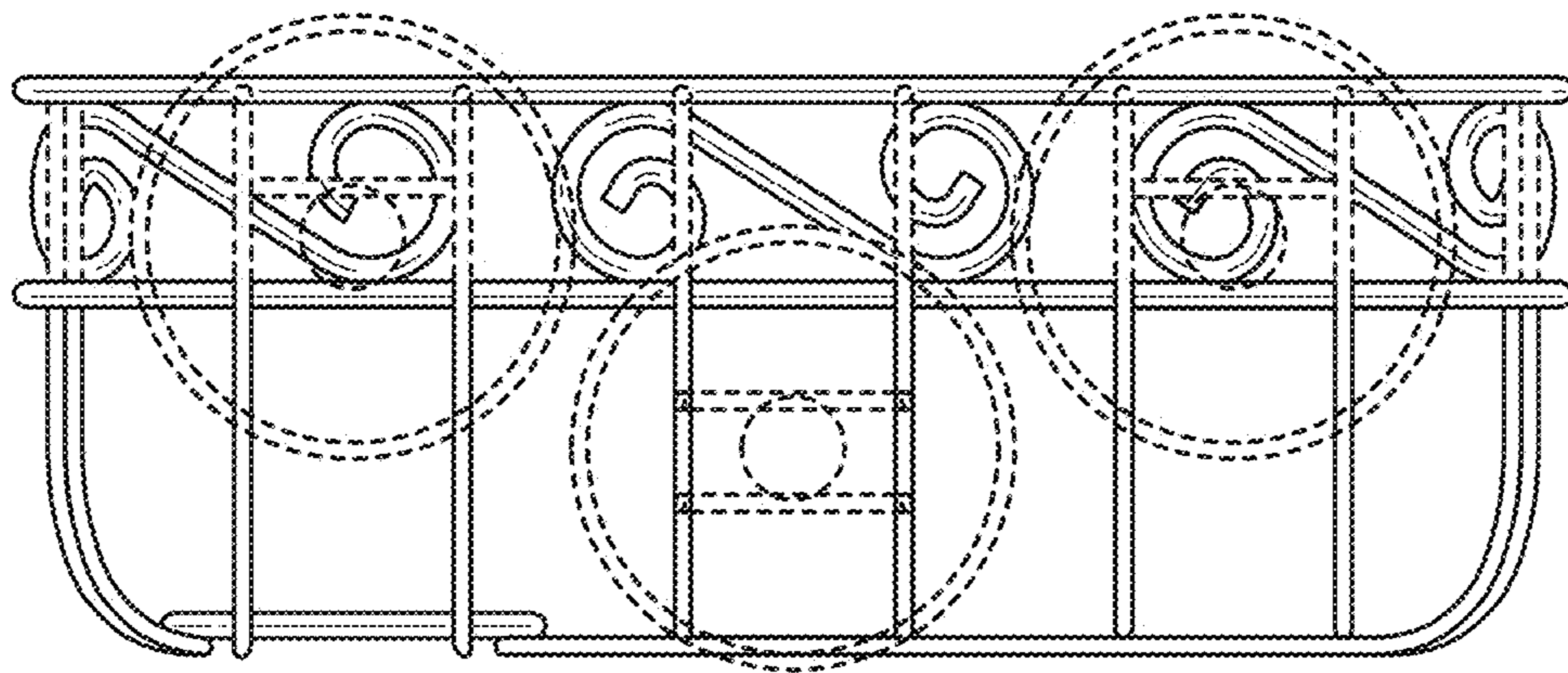


FIG. 3

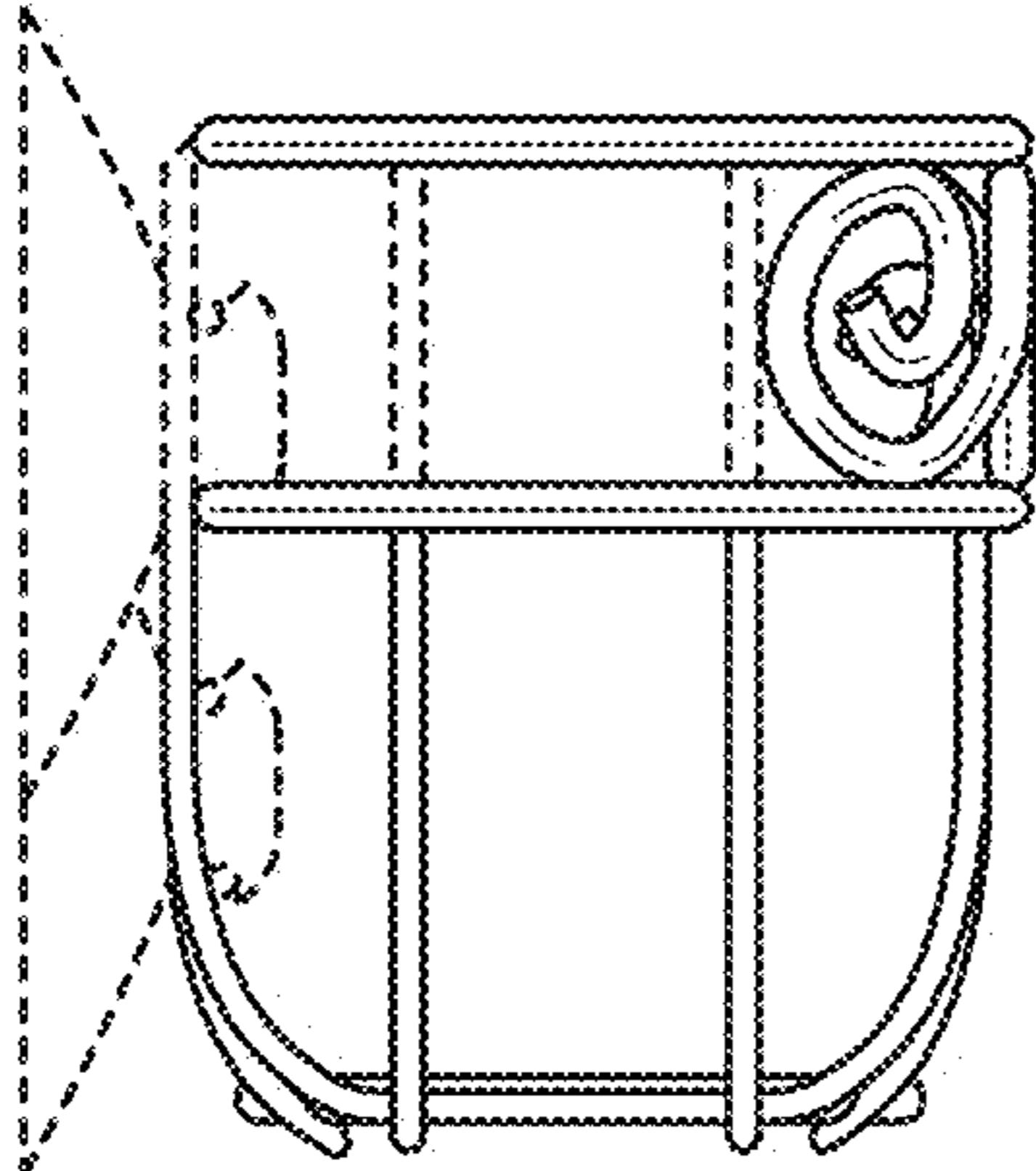


FIG. 4

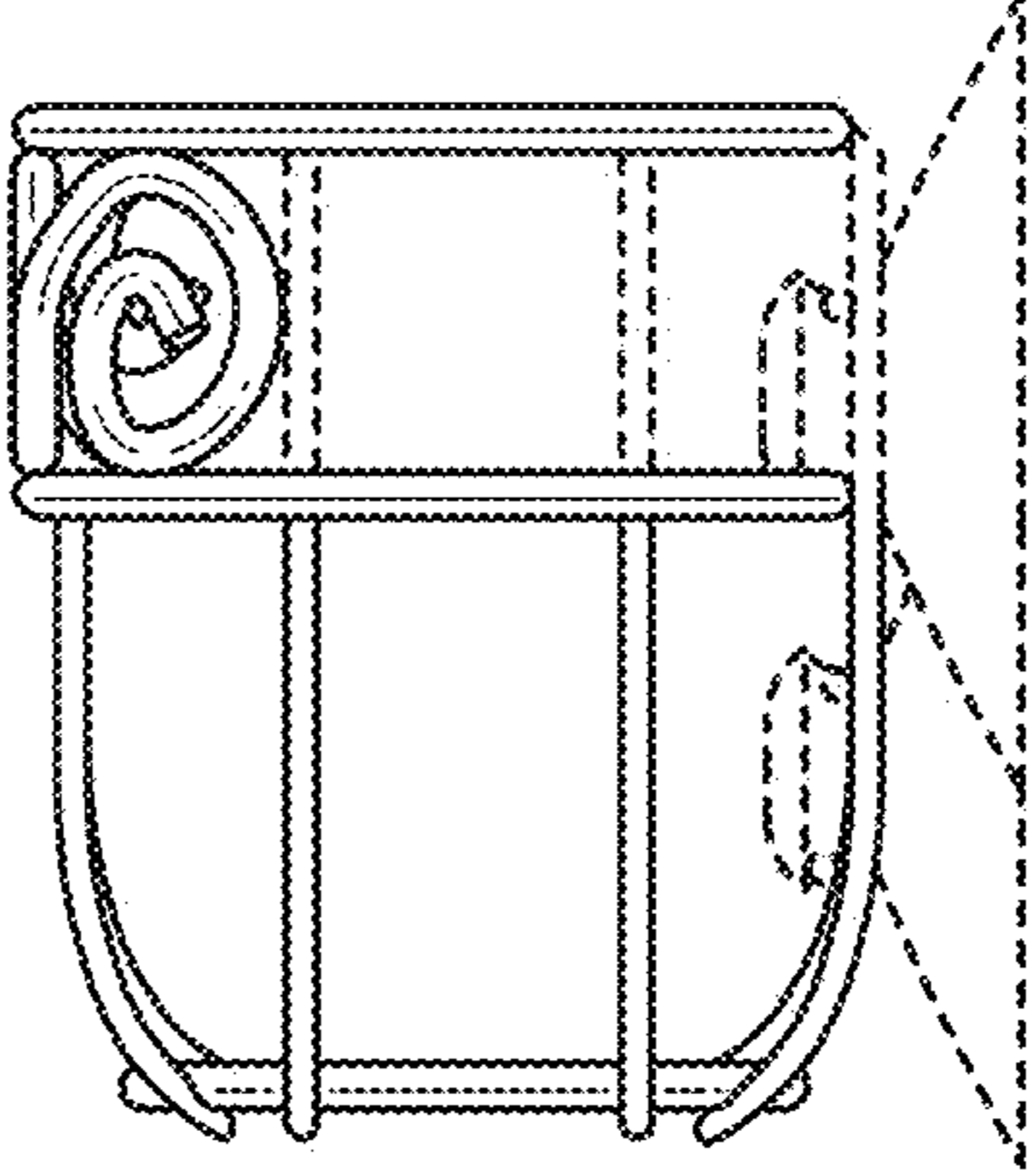


FIG. 5

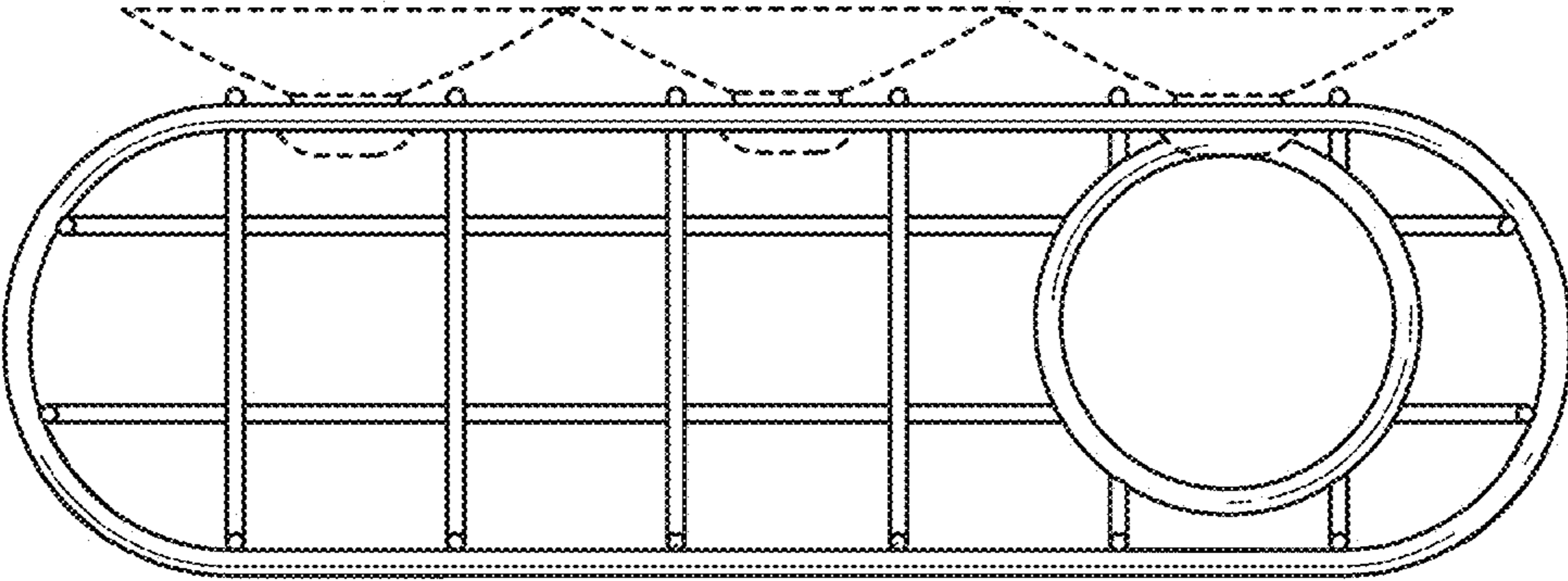


FIG. 6

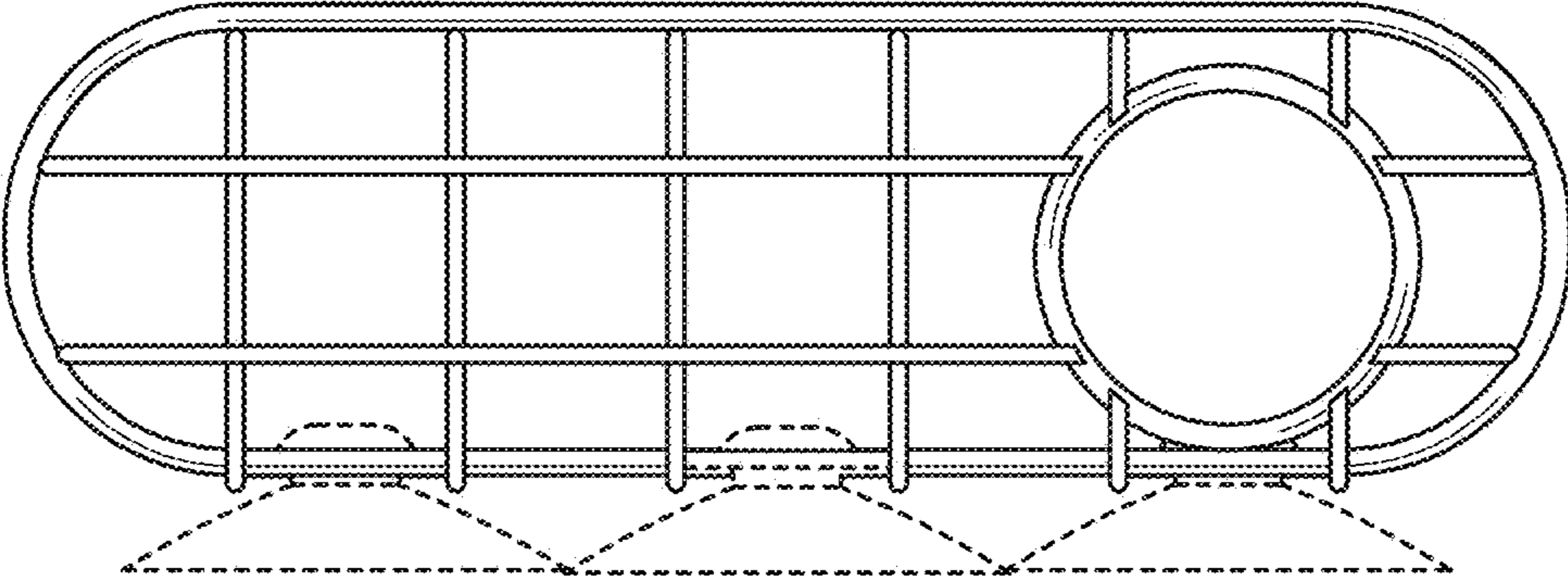


FIG. 7