



US00D757459S

(12) **United States Design Patent**
Citterio

(10) **Patent No.:** **US D757,459 S**

(45) **Date of Patent:** **** May 31, 2016**

(54) **SOAP DISPENSER**

(71) Applicant: **Hansgrohe SE**, Schiltach (DE)

(72) Inventor: **Antonio Citterio**, Milan (IT)

(73) Assignee: **Hansgrohe SE**, Schiltach (DE)

(**) Term: **14 Years**

(21) Appl. No.: **29/506,939**

(22) Filed: **Oct. 22, 2014**

(30) **Foreign Application Priority Data**

Apr. 25, 2014 (EM) 002453043-0005

(51) **LOC (10) Cl.** **23-02**

(52) **U.S. Cl.**

USPC **D6/545**

(58) **Field of Classification Search**

USPC D6/512, 524, 542, 543, 544, 545

CPC A47F 1/085; A47G 19/24; A47G 21/12;

B65D 83/267; B65D 23/003; B65D 83/40;

B65D 77/065; B67D 3/0029; A47K 5/02;

A47K 5/1217; B05B 11/062

See application file for complete search history.

(56) **References Cited**

U.S. PATENT DOCUMENTS

D277,910 S * 3/1985 Hoyt D6/545

D285,272 S * 8/1986 Bunschoten D6/545

4,946,072 A * 8/1990 Albert A47K 5/1217

222/105

D310,924 S * 10/1990 Breger D6/542

D312,184 S * 11/1990 De Luca D6/542

D322,377 S * 12/1991 Fender D6/545

5,105,990 A * 4/1992 Leith B67D 7/02

222/156

D338,585 S * 8/1993 Bell D6/545

D345,664 S * 4/1994 Brandenburg D6/545

D358,288 S * 5/1995 Daansen D6/545

5,445,288 A * 8/1995 Banks B05B 7/0025

222/105

5,464,125 A * 11/1995 Daansen A47K 5/1215

222/156

D378,642 S * 4/1997 DeGennaro D6/542

D385,139 S * 10/1997 Mervar D6/545

D386,344 S * 11/1997 Brandenburg D6/544

D387,931 S * 12/1997 Chen D6/545

D388,990 S * 1/1998 Brandenburg D6/545

5,725,131 A * 3/1998 Bell A47K 5/10

222/181.3

5,996,851 A * 12/1999 Dolan A47K 5/1209

222/179

D426,094 S * 6/2000 Carlson D6/545

D431,404 S * 10/2000 Brazis D6/545

6,209,751 B1 * 4/2001 Goodin A47K 5/1211

222/52

6,375,038 B1 * 4/2002 Daansen A47K 5/1217

222/39

D457,026 S * 5/2002 Chen D6/545

D471,046 S * 3/2003 Hagemann D6/545

D478,445 S * 8/2003 Daansen D6/545

(Continued)

FOREIGN PATENT DOCUMENTS

CN 302269868 1/2013

EM 000449194-0004 12/2005

(Continued)

Primary Examiner — John Windmuller

Assistant Examiner — Steven Czyz

(74) *Attorney, Agent, or Firm* — Lora J. Graentzdoerffer

(57) **CLAIM**

The ornamental design for a soap dispenser, as shown and described.

DESCRIPTION

FIG. 1 is a perspective view of a soap dispenser showing my design;

FIG. 2 is a front elevation view;

FIG. 3 is a rear elevation view;

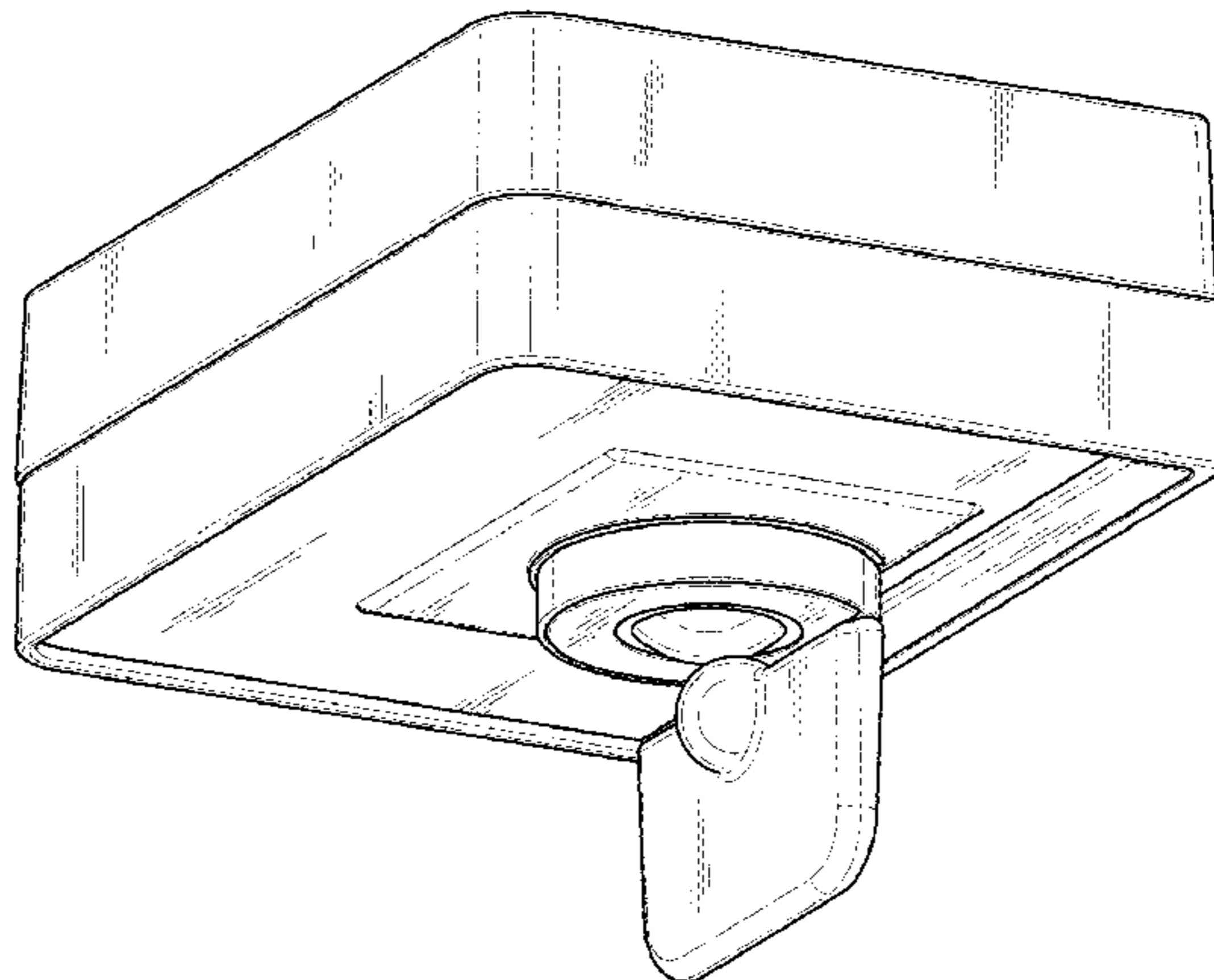
FIG. 4 is a left side elevation view; wherein the right side elevation view is a mirror image thereof;

FIG. 5 is a top plan view; and,

FIG. 6 is a bottom plan view.

The broken lines indicate portions of the soap dispenser that form no part of the claimed design.

1 Claim, 6 Drawing Sheets



(56)

References Cited

U.S. PATENT DOCUMENTS

D479,422 S * 9/2003 Ciavarella D6/545
 6,772,916 B1 * 8/2004 Reynolds A47K 5/1202
 221/154
 D496,202 S * 9/2004 Hansen D6/545
 D512,863 S * 12/2005 Bowes D6/545
 D553,406 S * 10/2007 Vanlane D6/545
 D553,407 S * 10/2007 Orgna D6/545
 D557,961 S * 12/2007 Haworth D6/545
 D570,145 S * 6/2008 Bush D6/542
 D578,331 S * 10/2008 Tomic D6/545
 D586,599 S * 2/2009 Crawford D6/545
 D588,388 S * 3/2009 Crawford D6/545
 D591,544 S * 5/2009 Franjesevic D6/545
 D597,356 S * 8/2009 Storz D6/545
 7,611,033 B2 * 11/2009 Ganzeboom A47K 5/14
 222/105
 D617,129 S * 6/2010 Ciavarella D6/545
 D620,292 S * 7/2010 Kim D6/545
 D628,419 S * 12/2010 Petrucelli D6/542
 D628,420 S * 12/2010 Petrucelli D6/542
 D629,236 S * 12/2010 Weststrate D6/545
 D629,237 S * 12/2010 Boshuizen D6/545
 D631,681 S * 2/2011 Ciavarella D6/545
 D634,143 S * 3/2011 Burkett D6/545
 D643,237 S * 8/2011 Reynolds D6/545
 D653,482 S * 2/2012 Ciavarella D6/545
 D655,962 S * 3/2012 Cittadino D6/545
 8,261,941 B2 * 9/2012 Woo A47K 5/1217
 222/113
 D668,899 S * 10/2012 Buell D6/545
 D669,719 S * 10/2012 Green D6/545
 8,336,740 B1 * 12/2012 Daansen A47K 5/1207
 222/181.3

D675,852 S * 2/2013 Bunoz D6/545
 8,485,395 B2 * 7/2013 Ciavarella A47K 5/1207
 222/153.01
 D699,048 S * 2/2014 Paal D6/545
 D706,550 S * 6/2014 Sun Ting Kung D6/545
 D724,861 S * 3/2015 Gottschalk D6/545
 8,991,648 B2 * 3/2015 Smith A47K 5/1208
 222/1
 D726,444 S * 4/2015 Giovannoni D6/545
 D726,445 S * 4/2015 Giovannoni D6/545
 D728,966 S * 5/2015 Lewis D6/545
 D733,456 S * 7/2015 Buell D6/545
 D735,490 S * 8/2015 Lewis D6/545
 2002/0005414 A1 * 1/2002 DeKoning A47K 5/12
 222/181.3
 2007/0138208 A1 * 6/2007 Scholz A47K 5/1204
 222/179
 2010/0224651 A1 * 9/2010 Zlatic A47K 5/122
 222/182
 2011/0253744 A1 * 10/2011 Pelfrey A47K 5/1217
 222/52
 2012/0080452 A1 * 4/2012 Boshuizen G01F 11/00
 222/181.3
 2012/0111895 A1 * 5/2012 Fitzpatrick A47K 5/1209
 222/214
 2012/0228326 A1 * 9/2012 Ciavarella G09F 7/18
 222/108
 2013/0020351 A1 * 1/2013 Pelfrey A47K 5/1214
 222/23

FOREIGN PATENT DOCUMENTS

EM 002051797-0009 6/2012
 WO DM/053183 9/2000

* cited by examiner

FIG. 1

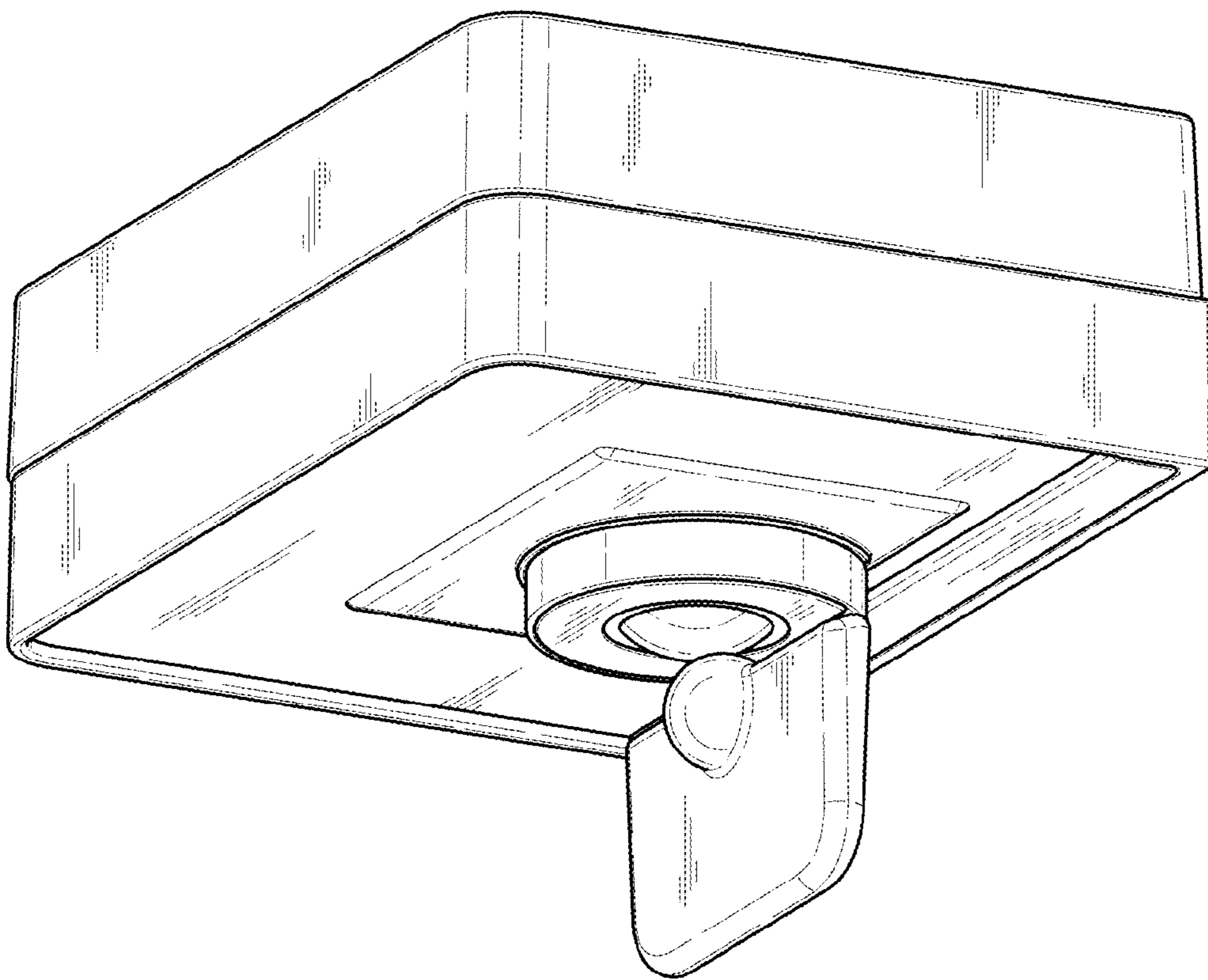


FIG. 2

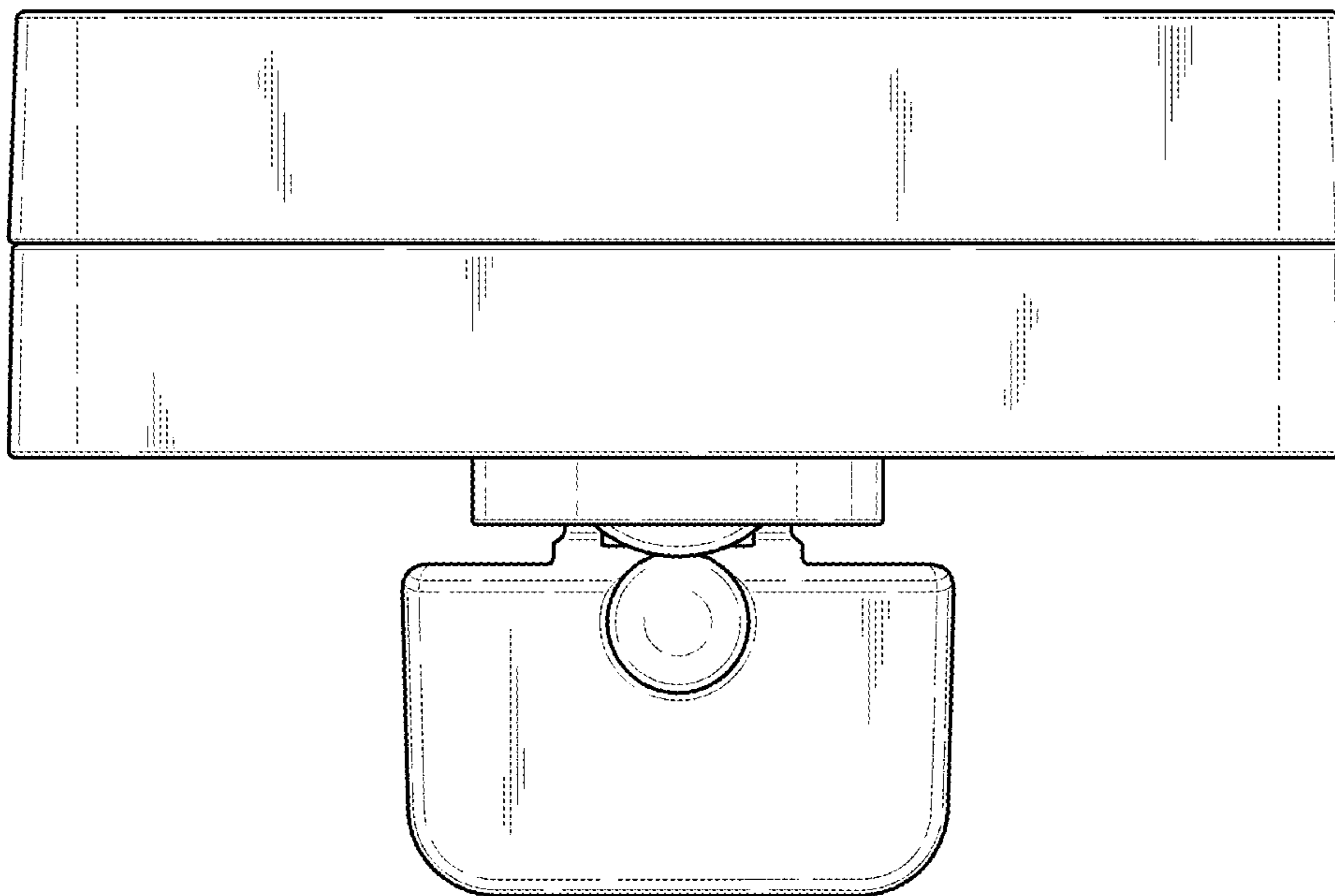


FIG. 3

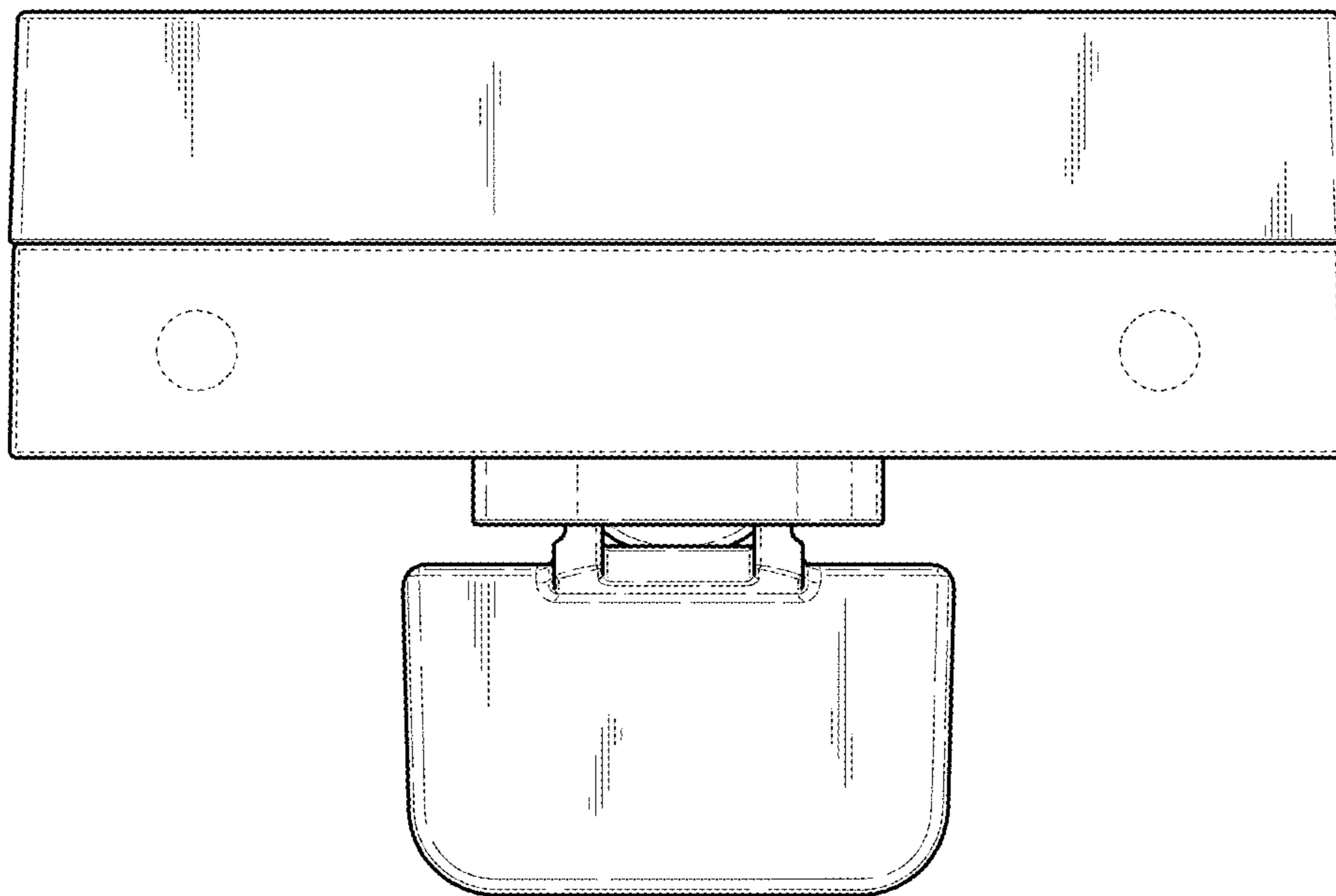


FIG. 4

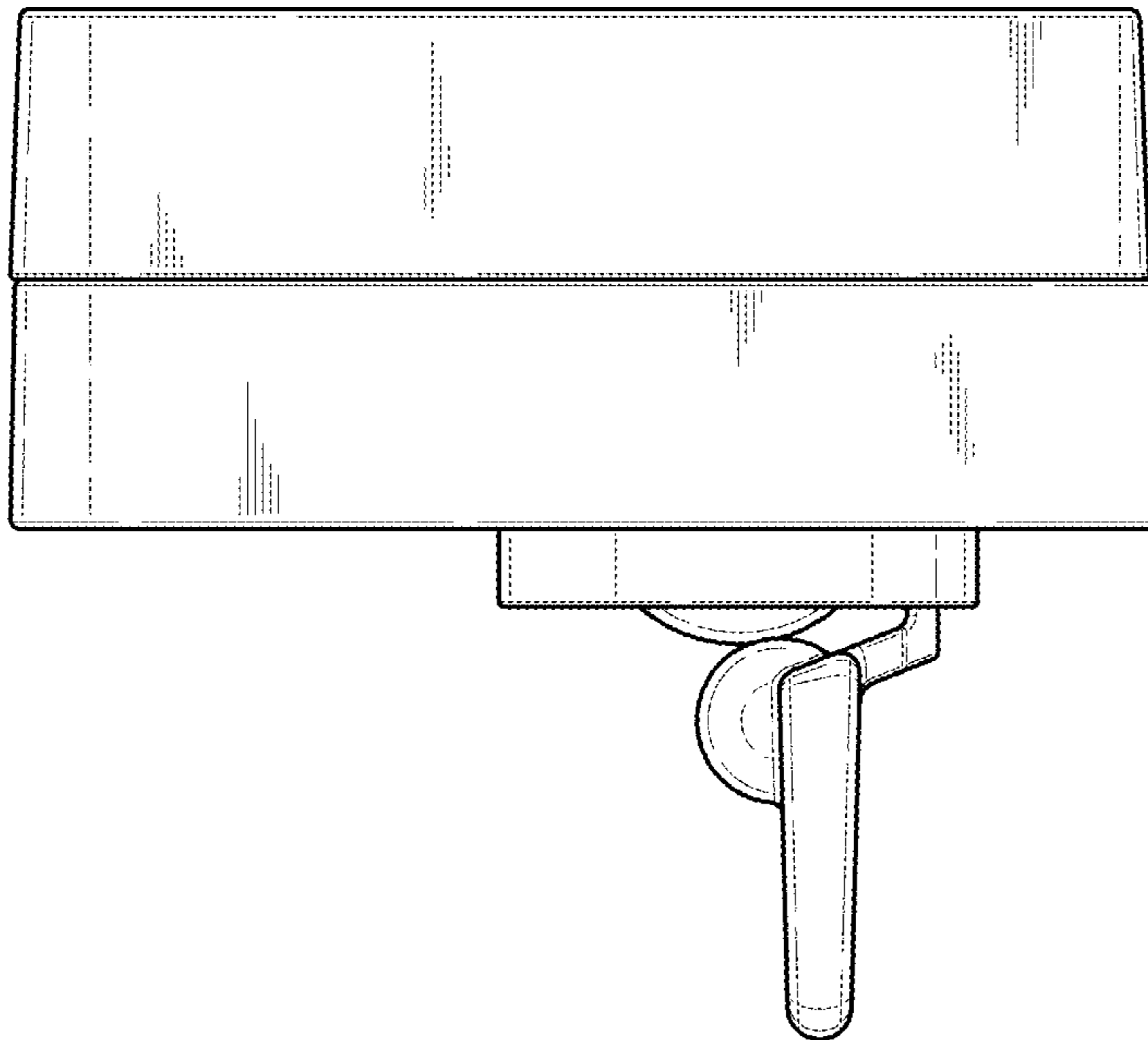


FIG. 5

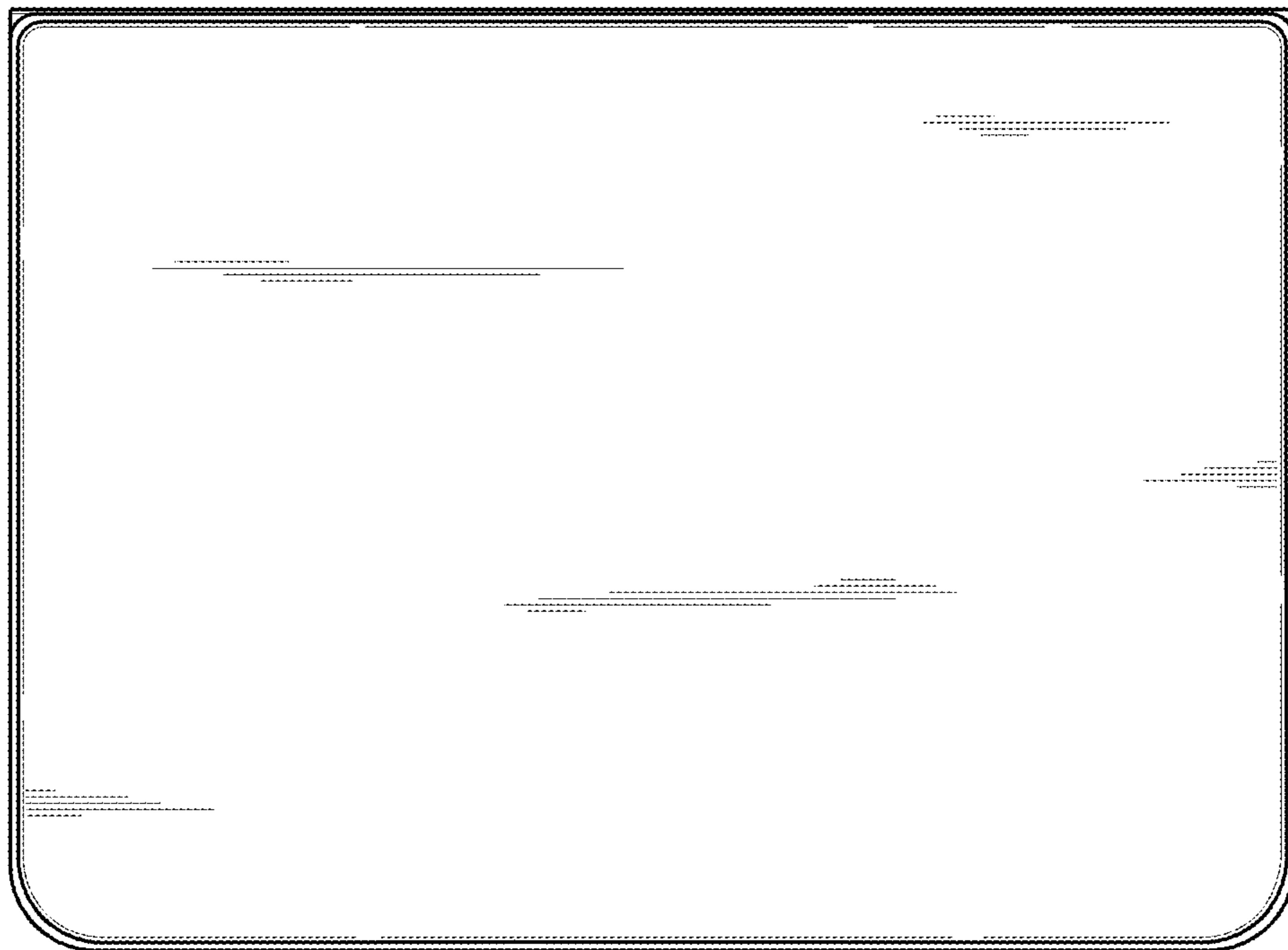


FIG. 6

