

US00D757458S

(12) **United States Design Patent**
Snell

(10) **Patent No.:** **US D757,458 S**
(45) **Date of Patent:** **** May 31, 2016**

- (54) **DISH**
- (71) Applicant: **InterDesign, Inc.**, Solon, OH (US)
- (72) Inventor: **Russell Benton Snell**, Bentleyville, OH (US)
- (73) Assignee: **InterDesign, Inc.**, Solon, OH (US)
- (**) Term: **15 Years**
- (21) Appl. No.: **29/534,986**
- (22) Filed: **Aug. 3, 2015**

Related U.S. Application Data

- (60) Division of application No. 29/471,492, filed on Nov. 1, 2013, which is a continuation of application No. 29/411,666, filed on Jan. 25, 2012, now Pat. No. Des. 694,548.
- (51) **LOC (10) Cl.** **06-06**
- (52) **U.S. Cl.**
USPC **D6/536**
- (58) **Field of Classification Search**
USPC D6/532, 536
CPC A47K 5/03; A47K 5/02; A47K 1/08
See application file for complete search history.

(56) **References Cited**

U.S. PATENT DOCUMENTS

| | | | | |
|--------------|---------|---------|-------|--------|
| D478,232 S * | 8/2003 | Dretzka | | D6/536 |
| D532,635 S * | 11/2006 | Snell | | D6/536 |
| D619,396 S * | 7/2010 | Snell | | D6/536 |
| D637,846 S * | 5/2011 | Kraemer | | D6/536 |

* cited by examiner

Primary Examiner — Brian N Vinson

(74) *Attorney, Agent, or Firm* — Calfee Halter & Griswold, LLP

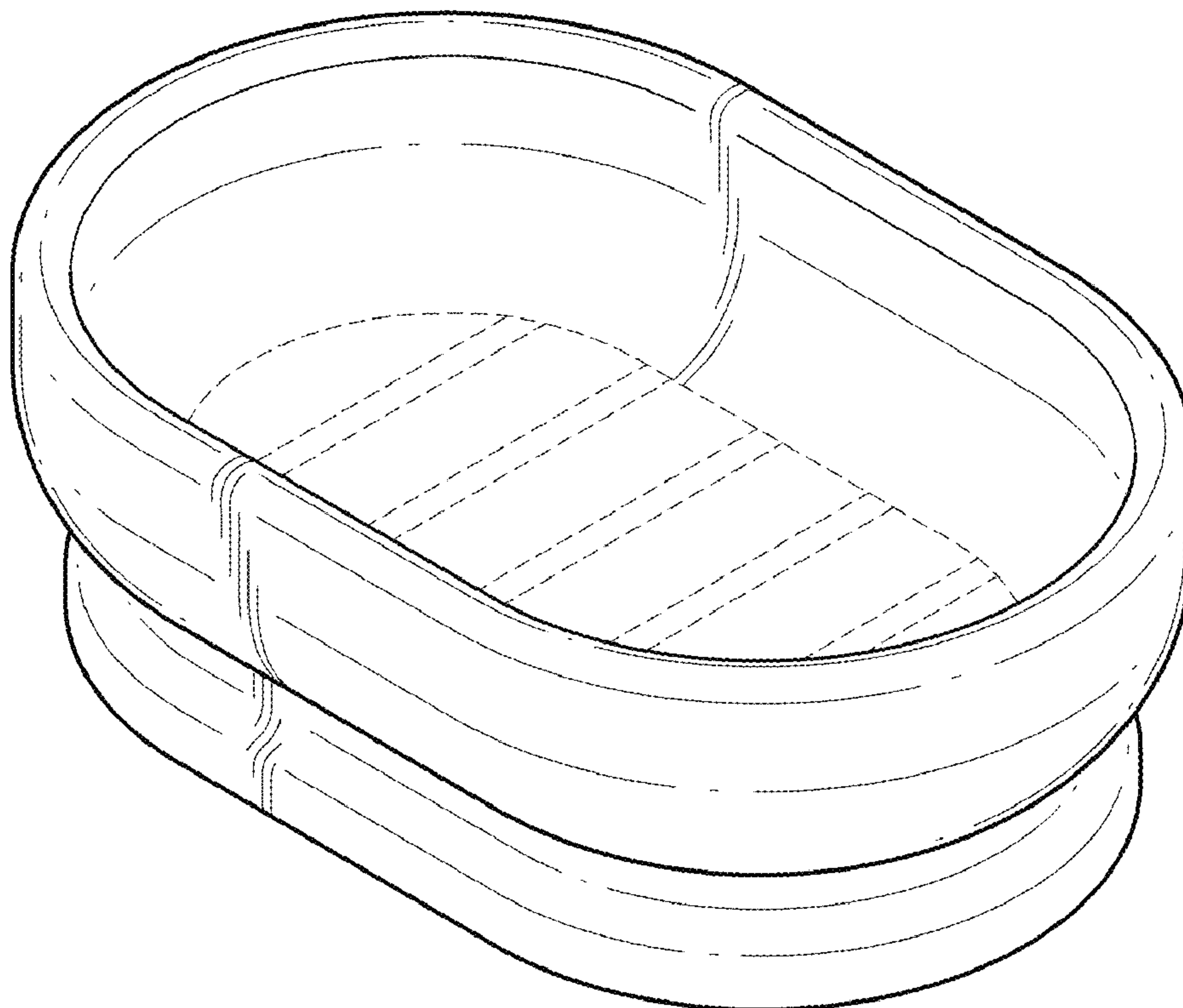
(57) **CLAIM**

I claim the ornamental design for a dish, as shown and described.

DESCRIPTION

FIG. 1 is a front/right/top perspective view of a dish;
 FIG. 2 is a rear/left/bottom perspective view thereof;
 FIG. 3 is a front elevational view thereof (a rear elevational view would be a mirror image thereof);
 FIG. 4 is a right side elevational view thereof (a left side elevational view would be a mirror image thereof);
 FIG. 5 is a top plan view thereof; and,
 FIG. 6 is a bottom plan view thereof.
 The broken lines form no part of the present invention.

1 Claim, 4 Drawing Sheets



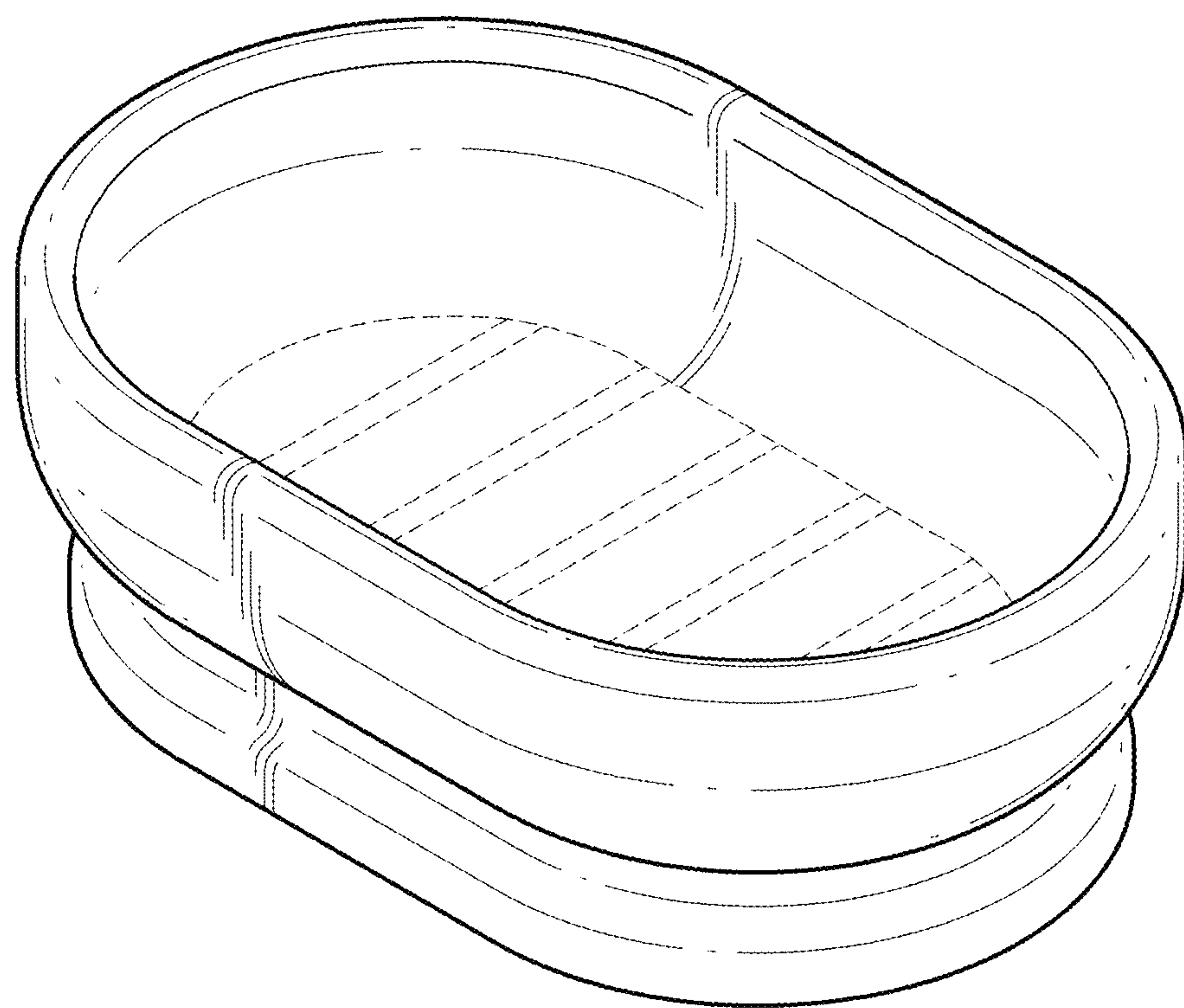


FIG. 1

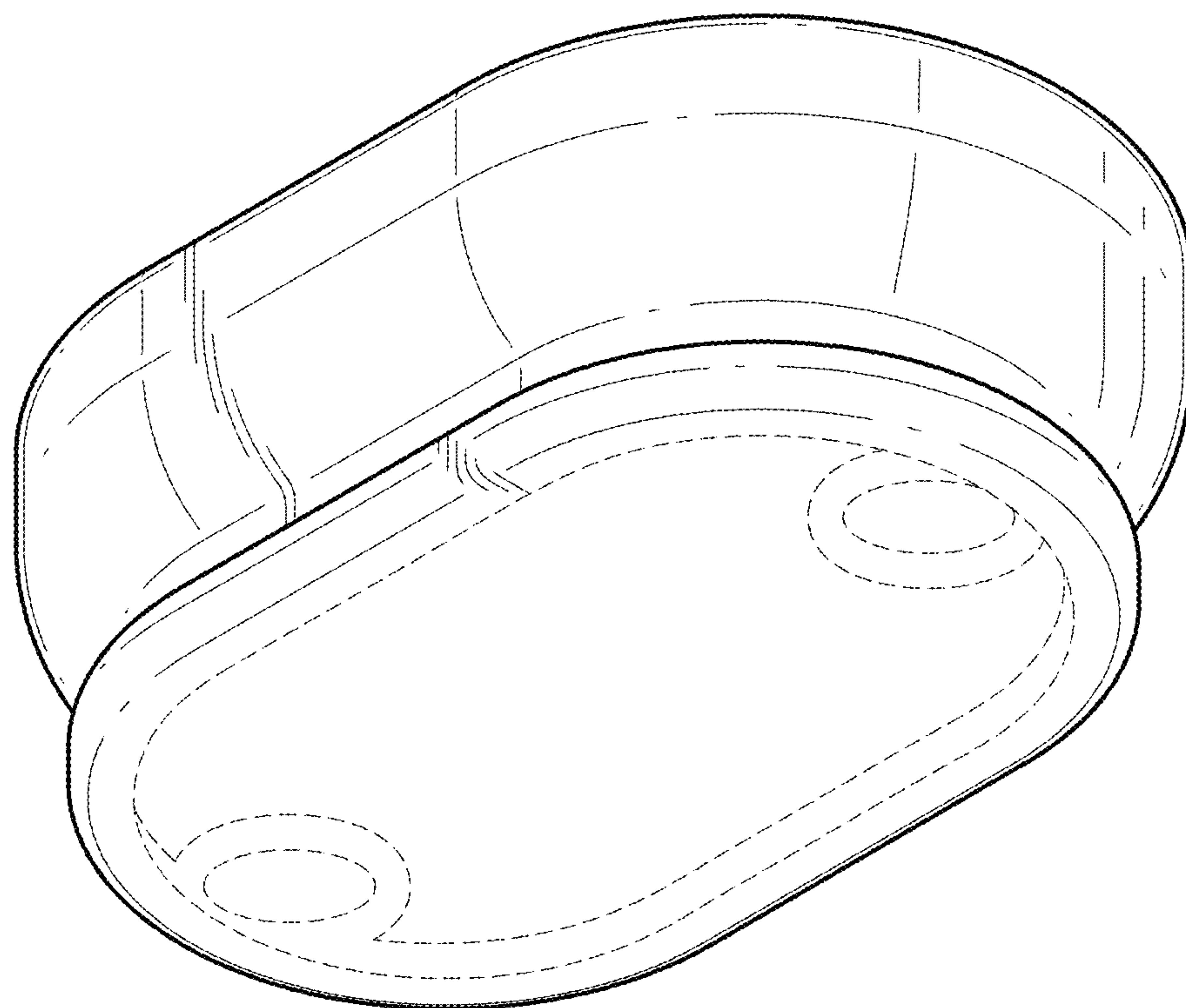


FIG. 2

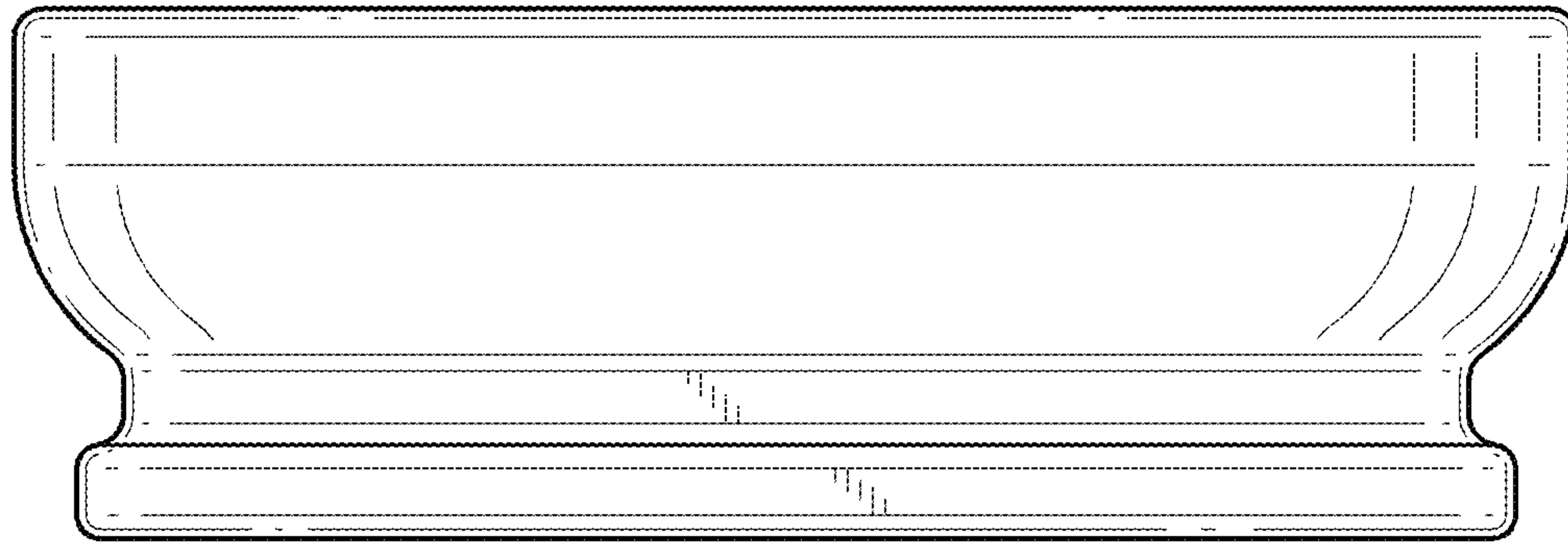


FIG. 3

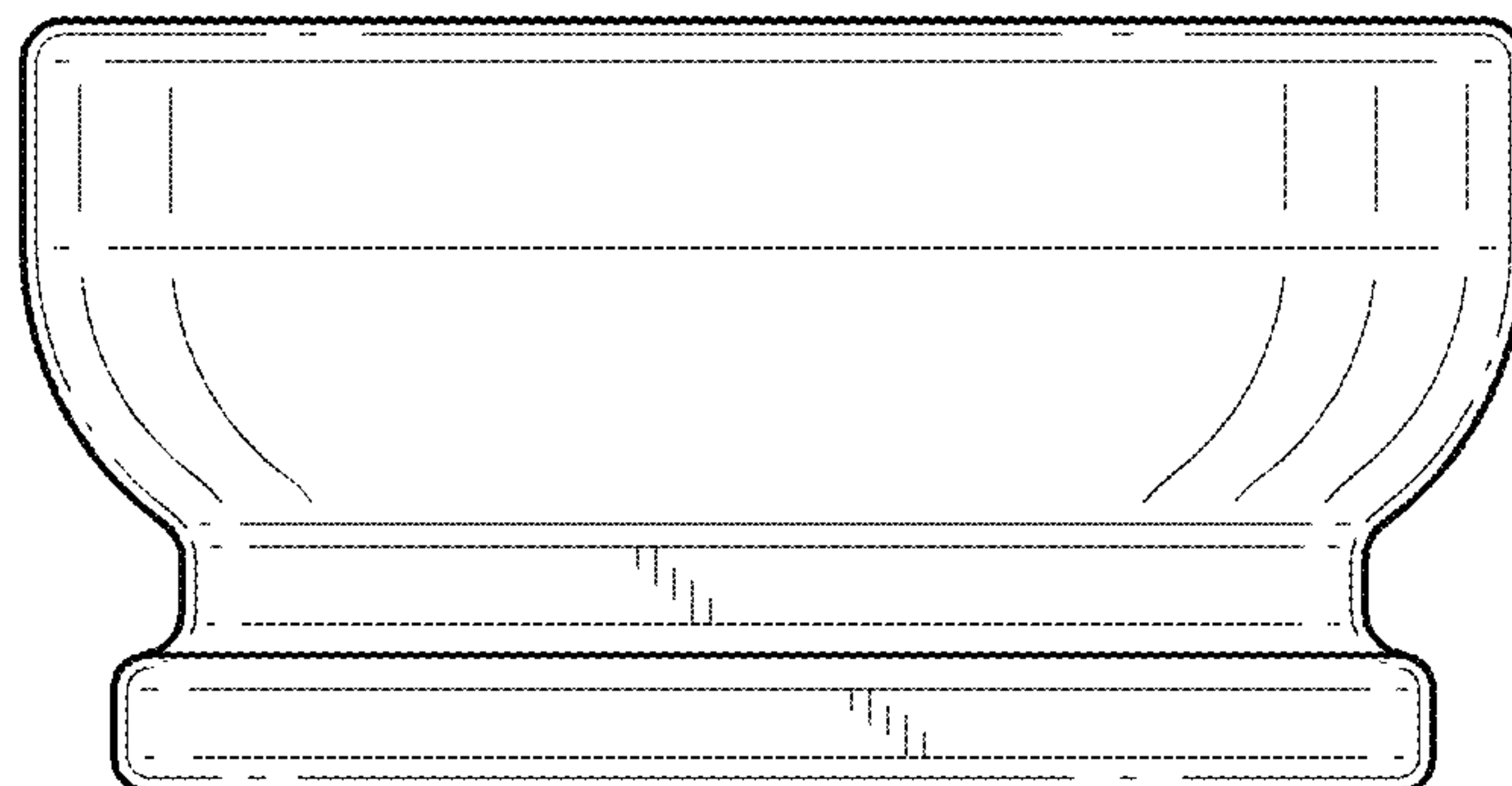


FIG. 4

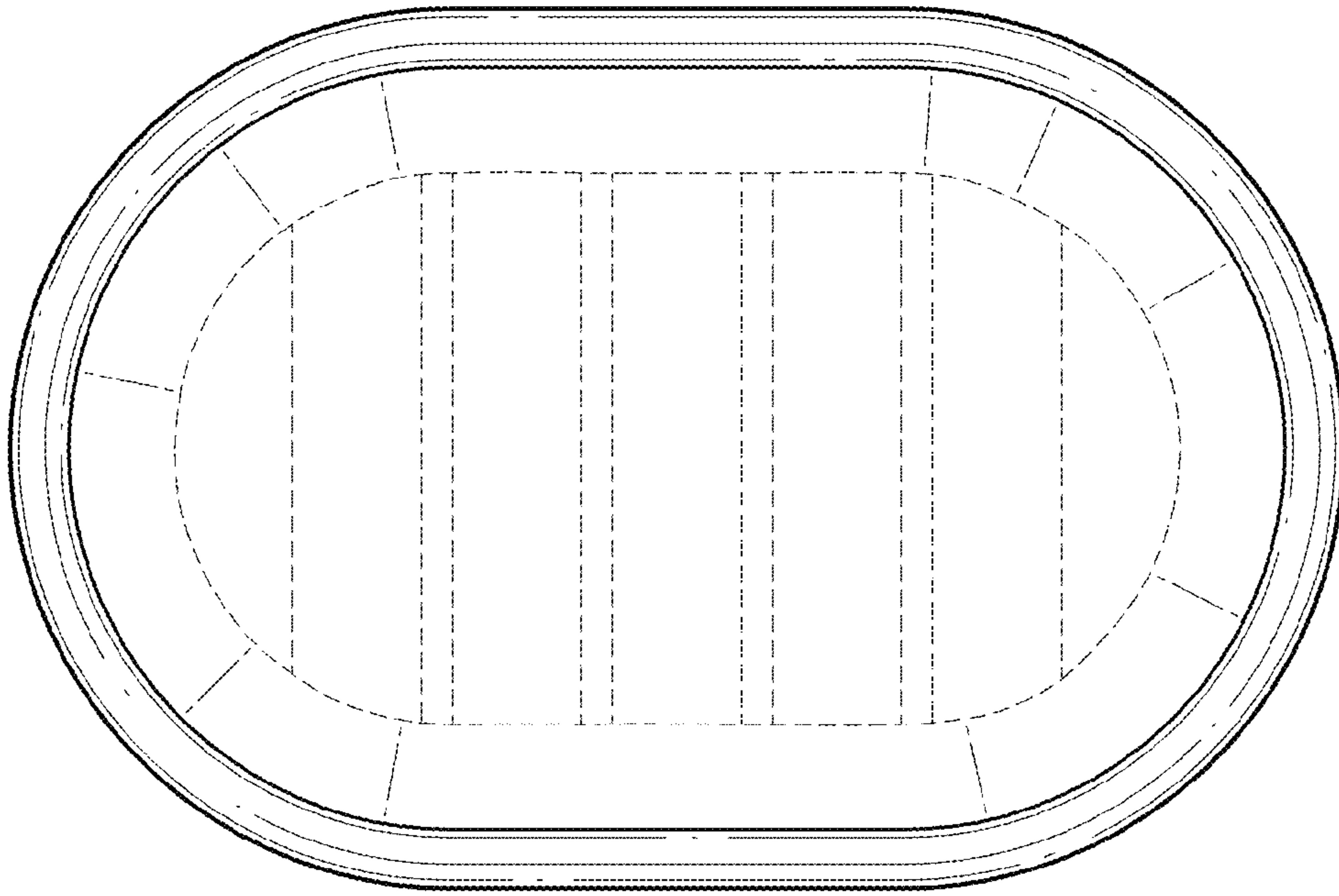


FIG. 5

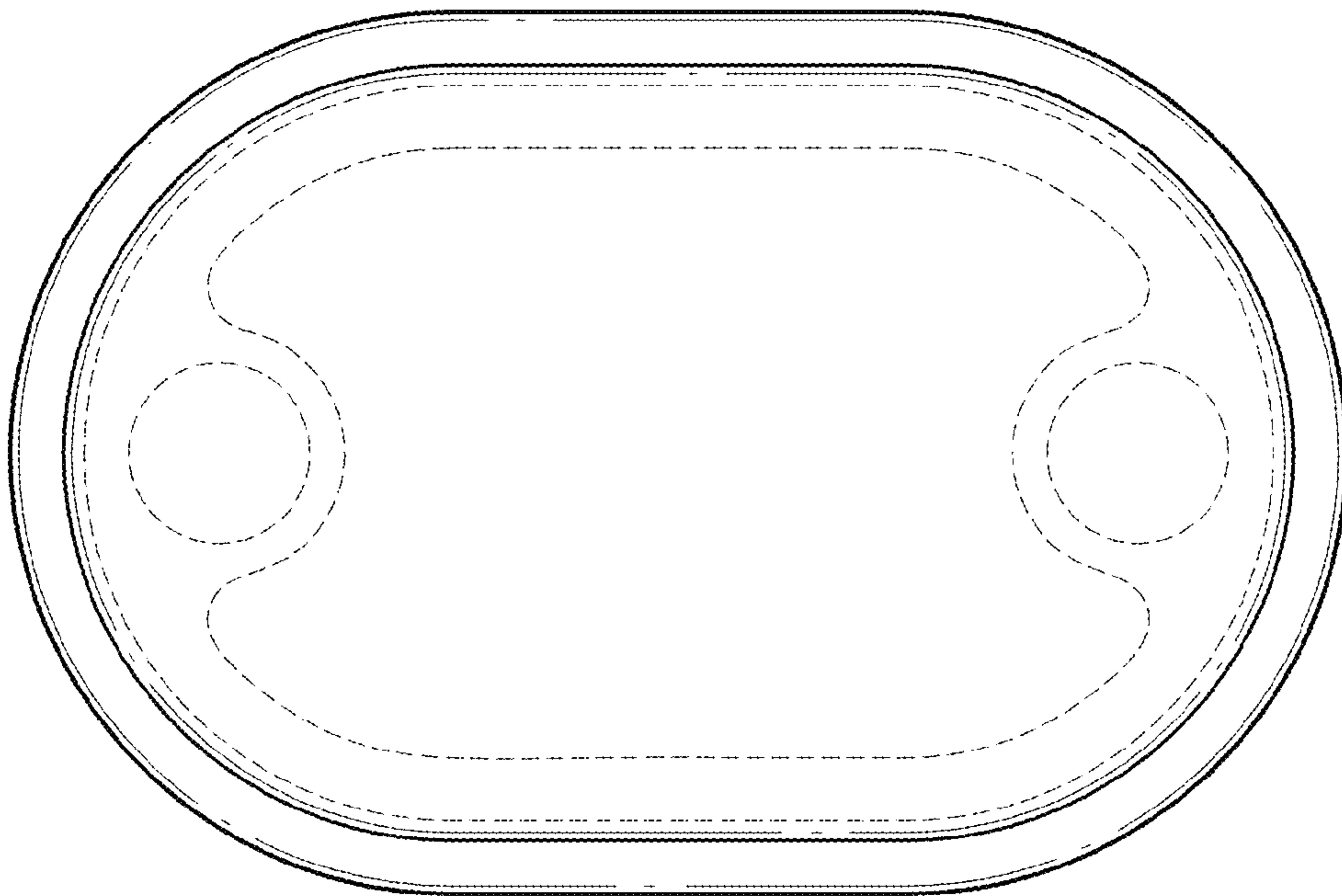


FIG. 6