



US00D757457S

(12) **United States Design Patent**  
**Guindi et al.**

(10) **Patent No.:** **US D757,457 S**  
(45) **Date of Patent:** **\*\* May 31, 2016**

- (54) **STORAGE BASKET**
- (71) Applicants: **Henry V. Guindi**, Brooklyn, NY (US);  
**Juan C. Escobar**, Edgewater, NJ (US)
- (72) Inventors: **Henry V. Guindi**, Brooklyn, NY (US);  
**Juan C. Escobar**, Edgewater, NJ (US)
- (73) Assignee: **HDS Trading Corp.**, North Brunswick,  
NJ (US)
- (\*\*) Term: **14 Years**
- (21) Appl. No.: **29/508,106**
- (22) Filed: **Nov. 3, 2014**
- (51) **LOC (10) Cl.** ..... **06-06**
- (52) **U.S. Cl.**  
USPC ..... **D6/513**
- (58) **Field of Classification Search**  
USPC ..... D6/512-514, 524, 525, 553, 566, 567;  
D3/304, 314  
CPC .... A47B 87/0207; A47L 19/04; A47L 15/50;  
B65D 7/44; B65D 7/20; B65D 71/003;  
B65D 61/00; A47J 47/16; B07C 7/02; B42F  
17/08; B42F 17/02; B42F 15/0035; A47F  
7/00; A47F 7/163; A47F 5/0006; A47F 7/145;  
A47F 5/0807; A47F 5/13; A47F 5/0025;  
A47F 5/0068; A47F 5/01  
See application file for complete search history.

D554,419 S *	11/2007	Thompson	.....	D6/566
D559,024 S *	1/2008	Tau	.....	D6/566
D570,634 S *	6/2008	Goodman	.....	D6/566
D574,647 S *	8/2008	Snider	.....	D6/513
D579,700 S *	11/2008	Ghiorghie	.....	D6/513
D579,701 S *	11/2008	Snell	.....	D6/513
D584,056 S *	1/2009	Ghiorghie	.....	D3/304
D588,814 S *	3/2009	Ghiorghie	.....	D3/304
D588,815 S *	3/2009	Ghiorghie	.....	D3/304
D616,680 S *	6/2010	Snider	.....	D6/513
D617,126 S *	6/2010	Snider	.....	D6/513
D627,969 S *	11/2010	Klein	.....	D6/514
D628,385 S *	12/2010	Klein	.....	D6/513
D632,081 S *	2/2011	Klein	.....	D3/306
D650,209 S *	12/2011	Snider	.....	D6/513
D675,466 S *	2/2013	Goodman	.....	D6/566
D705,565 S *	5/2014	Schraufnagel	.....	D6/513
D710,124 S *	8/2014	Goodman	.....	D3/306
D723,297 S *	3/2015	Goodman	.....	D6/513
D723,835 S *	3/2015	Goodman	.....	D6/513
D728,255 S *	5/2015	Guindi	.....	D6/513

\* cited by examiner

*Primary Examiner* — John Windmuller

*Assistant Examiner* — Steven Czyz

(74) *Attorney, Agent, or Firm* — Ostrolenk Faber LLP

(57) **CLAIM**

The ornamental design for a storage basket, as shown and described.

**DESCRIPTION**

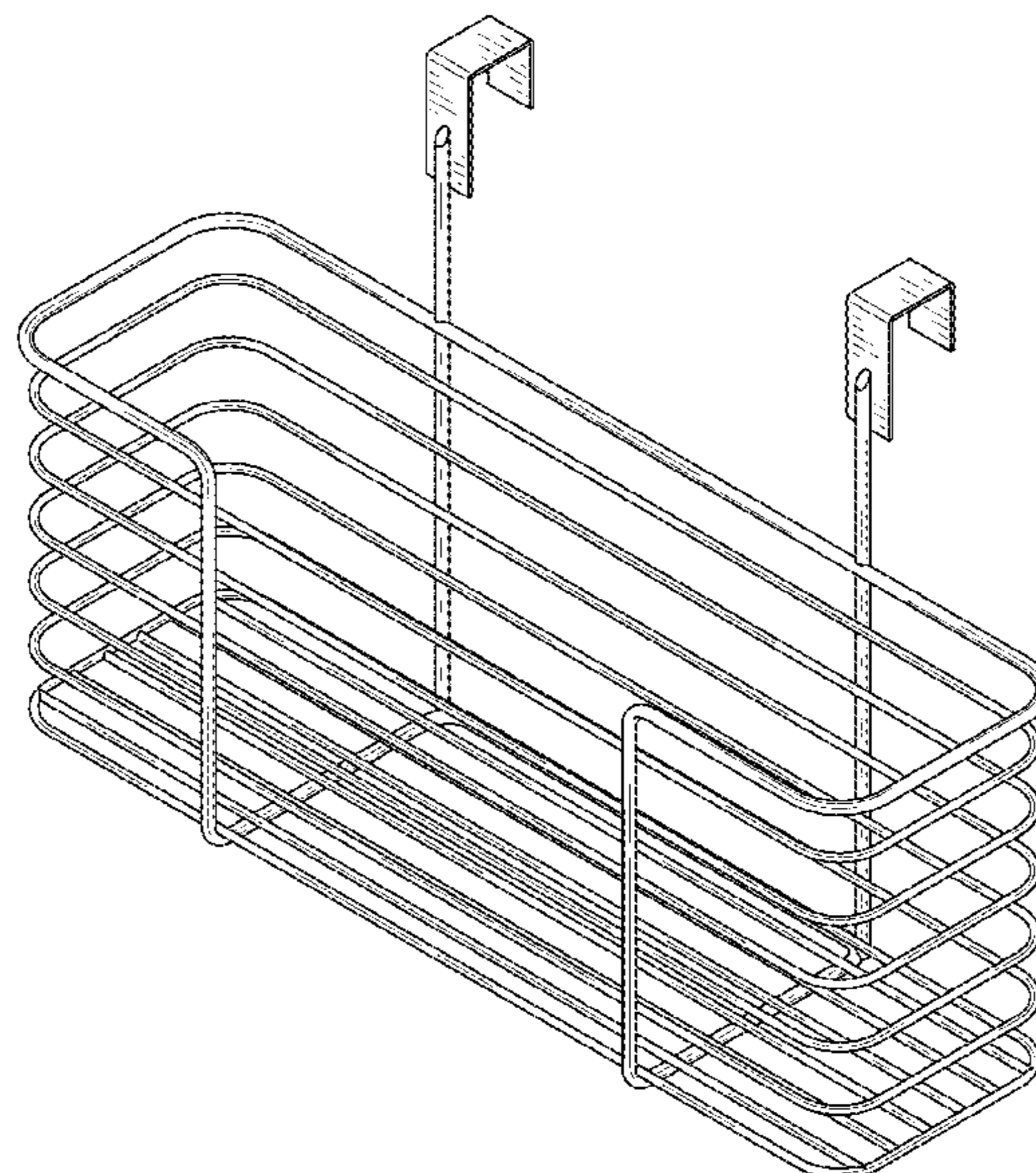
FIG. 1 is a top, front and side perspective view of a storage basket showing our new design;  
 FIG. 2 is a front plan view thereof;  
 FIG. 3 is a rear plan view thereof;  
 FIG. 4 is a side view thereof, the opposite side view being a mirror image thereof;  
 FIG. 5 is a top view thereof; and,  
 FIG. 6 is a bottom view thereof.

**1 Claim, 3 Drawing Sheets**

(56) **References Cited**

U.S. PATENT DOCUMENTS

D343,712 S *	1/1994	Linder	.....	D6/513
D364,297 S *	11/1995	Daniel	.....	D3/306
D412,080 S *	7/1999	Emery	.....	D6/513
D458,640 S *	6/2002	Hofman	.....	D19/75
D479,663 S *	9/2003	Snell	.....	D6/525
D492,112 S *	6/2004	Hardy	.....	D6/306
D512,223 S *	12/2005	Snell	.....	D3/304





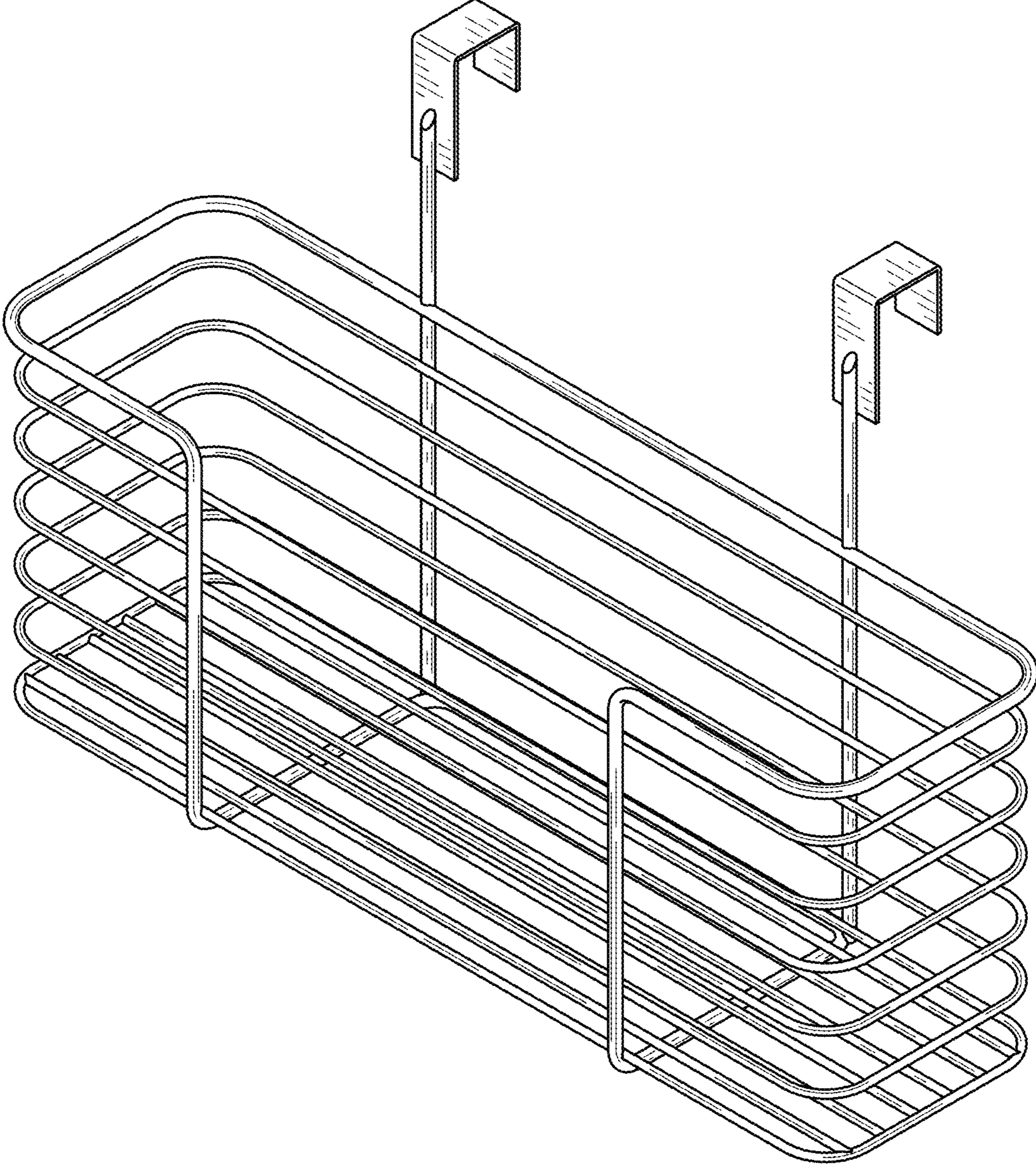


FIG. 1

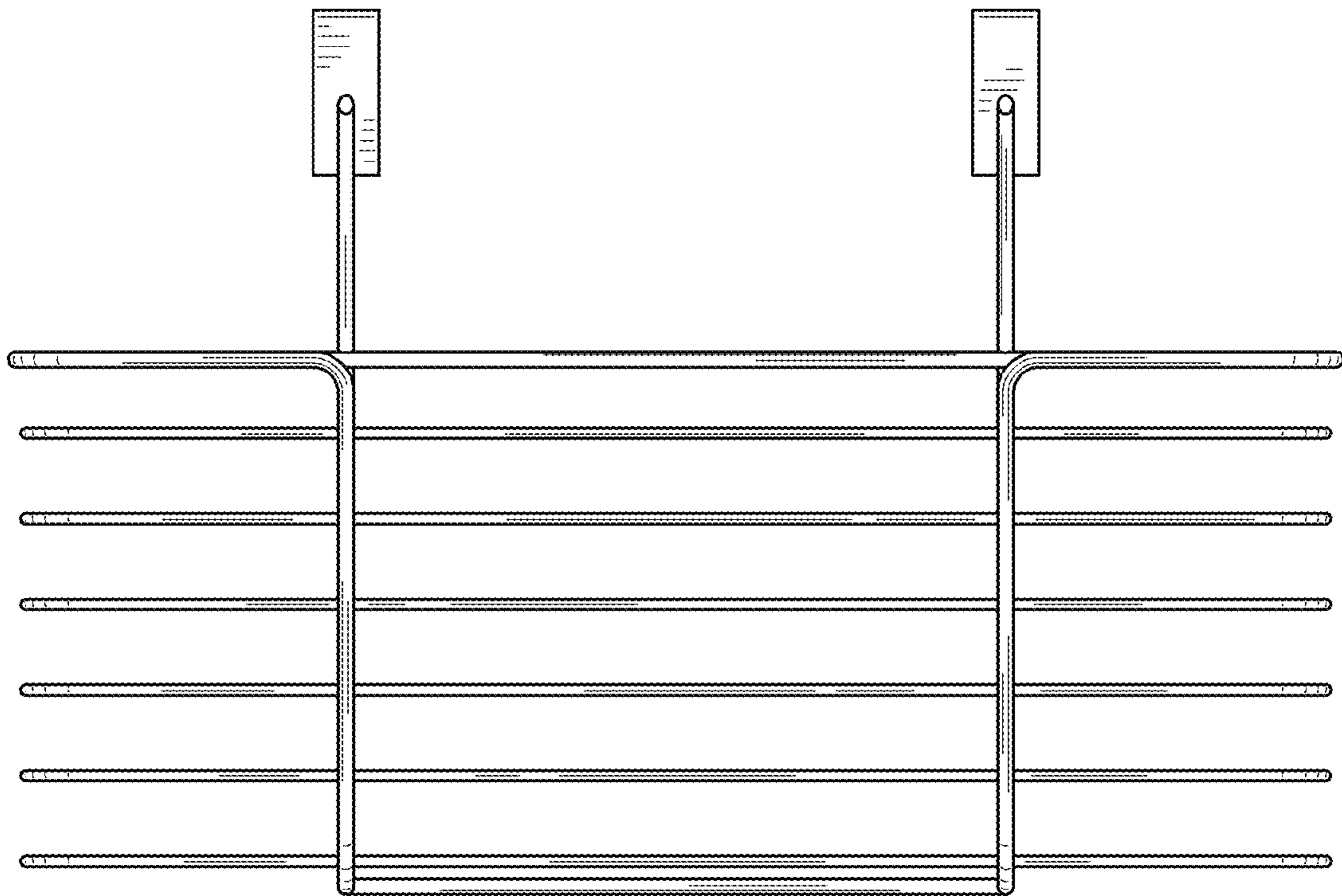


FIG. 2

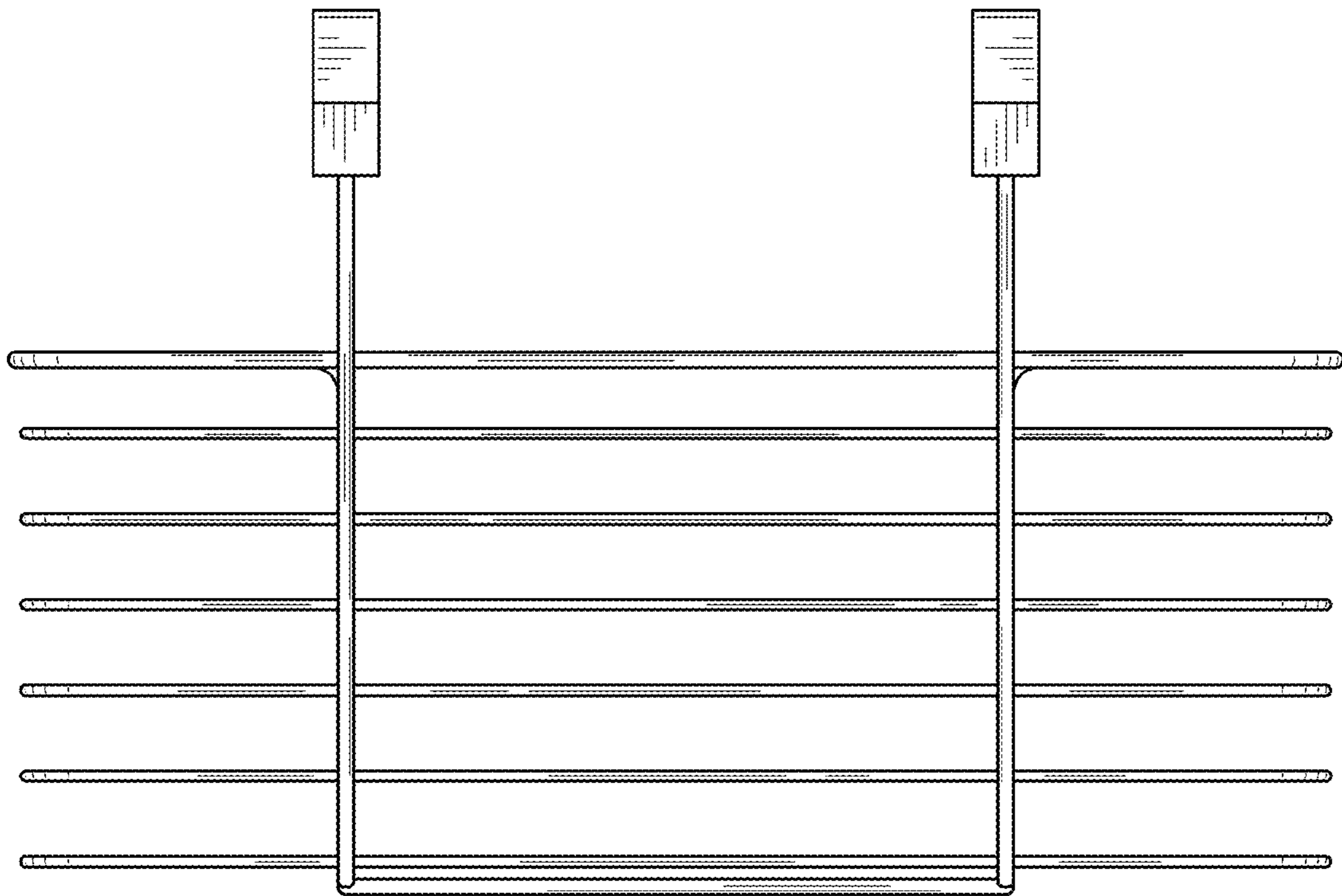


FIG. 3

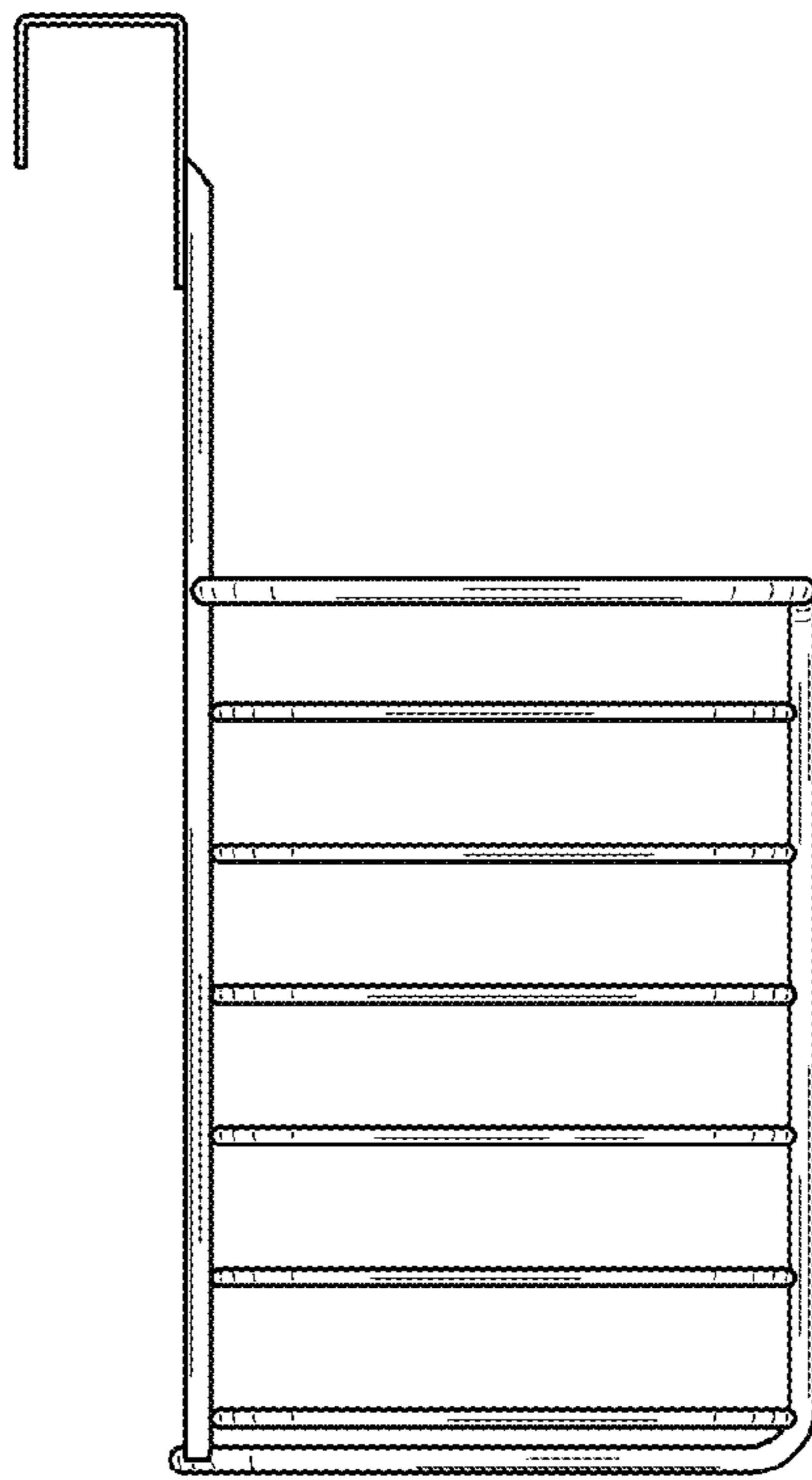


FIG. 4

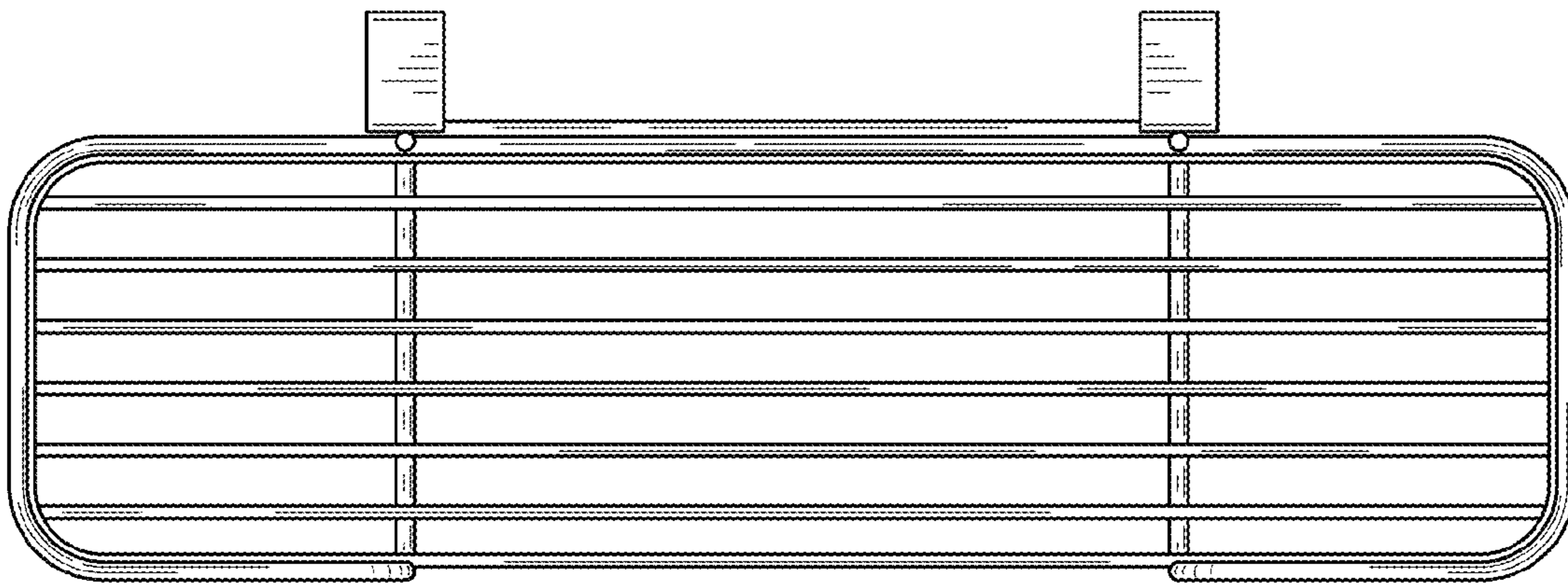


FIG. 5

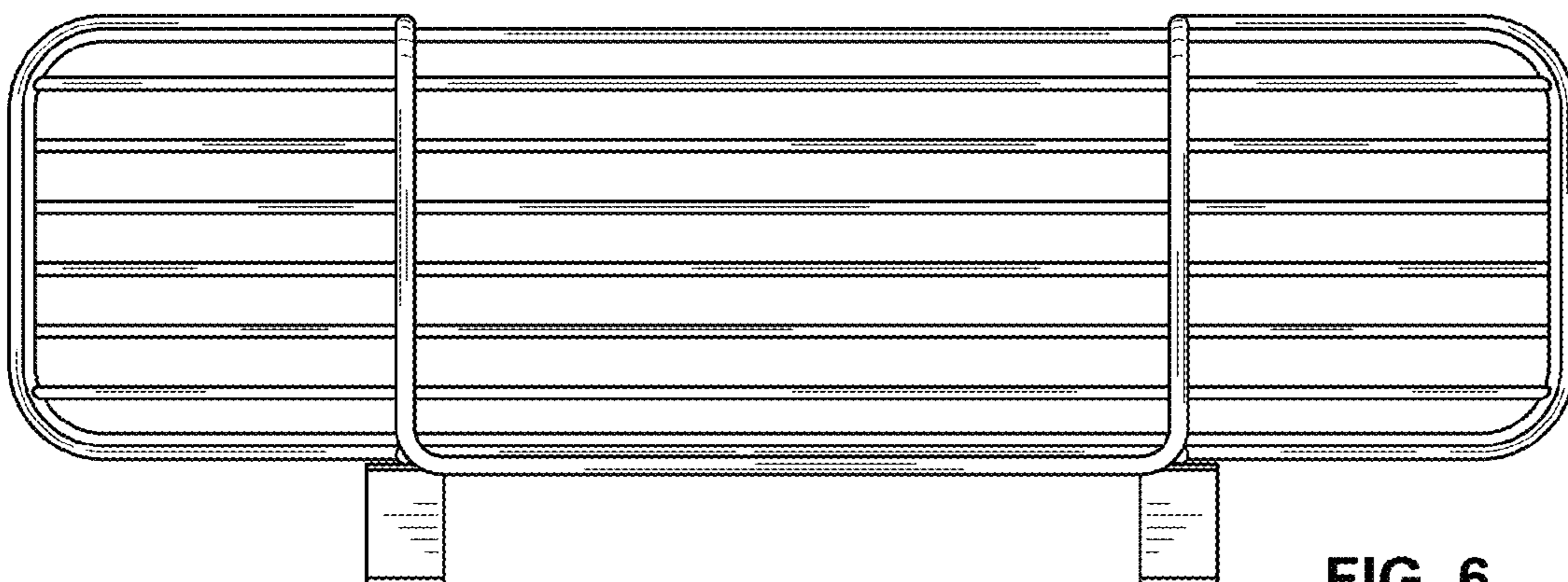


FIG. 6