



US00D757456S

(12) **United States Design Patent**
Sheppard

(10) **Patent No.:** **US D757,456 S**
(45) **Date of Patent:** **** May 31, 2016**

- (54) **HANGING RACK**
- (71) Applicant: **Canburg Limited**, Wiltshire (GB)
- (72) Inventor: **Peter Ralph Sheppard**, London (GB)
- (73) Assignee: **Canburg Limited**, Devizes, Wiltshire (GB)
- (**) Term: **14 Years**
- (21) Appl. No.: **29/502,926**
- (22) Filed: **Sep. 22, 2014**
- (51) **LOC (10) Cl.** **06-04**
- (52) **U.S. Cl.**
USPC **D6/513**
- (58) **Field of Classification Search**
USPC D6/512, 513, 514, 567; D23/388
CPC A47L 19/04; A47F 5/0068; A47F 5/0892;
A47G 25/743; A47B 65/00; A47B 61/00;
A47B 96/02

See application file for complete search history.

6,843,381	B2 *	1/2005	Wu	A47B 81/04
					211/85.29
D504,585	S *	5/2005	Rafoth	D6/513
D504,586	S *	5/2005	Rafoth	D6/513
D505,286	S *	5/2005	Rafoth	D6/513
D507,136	S *	7/2005	Brown	D6/513
D507,917	S *	8/2005	Valdez	D6/513
D508,179	S *	8/2005	Brown	D6/513
D509,979	S *	9/2005	Le Roux	D6/513
D518,669	S *	4/2006	Rafoth	D6/513
D525,811	S *	8/2006	Nawrocki	D6/513
D538,088	S *	3/2007	Ruff	D6/513
D553,401	S *	10/2007	Peddycord	D6/513
D638,925	S *	5/2011	Charlebois	D23/388
D653,064	S *	1/2012	Lutt	D6/513
D672,588	S *	12/2012	Bode	D6/513
D719,253	S *	12/2014	Francescon	D23/388
2006/0120846	A1 *	6/2006	Krengel	A47B 5/00
					414/592
2012/0175331	A1 *	7/2012	Yu	A47B 43/006
					211/119

* cited by examiner

Primary Examiner — John Windmuller

Assistant Examiner — Steven Czyz

(74) *Attorney, Agent, or Firm* — Gesmer Updegrave LLP

(56) **References Cited**

U.S. PATENT DOCUMENTS

1,202,166	A *	10/1916	Corbett et al.	A47F 5/0892
					211/117
2,087,104	A *	7/1937	Eisler	F24F 13/1426
					29/897.15
D362,059	S *	9/1995	Wojcik	D23/388
D392,133	S *	3/1998	Chen	D6/513
D393,388	S *	4/1998	Chen	D6/513
D406,972	S *	3/1999	McCoy	D6/513
D416,152	S *	11/1999	Payne	D6/512
D459,926	S *	7/2002	Mikich	D6/513
D469,286	S *	1/2003	Rafoth	D6/513
D470,353	S *	2/2003	Mikich	D6/513
D488,653	S *	4/2004	Ruff	D6/513
D499,284	S *	12/2004	Rafoth	D6/513
D499,589	S *	12/2004	Ruff	D6/513

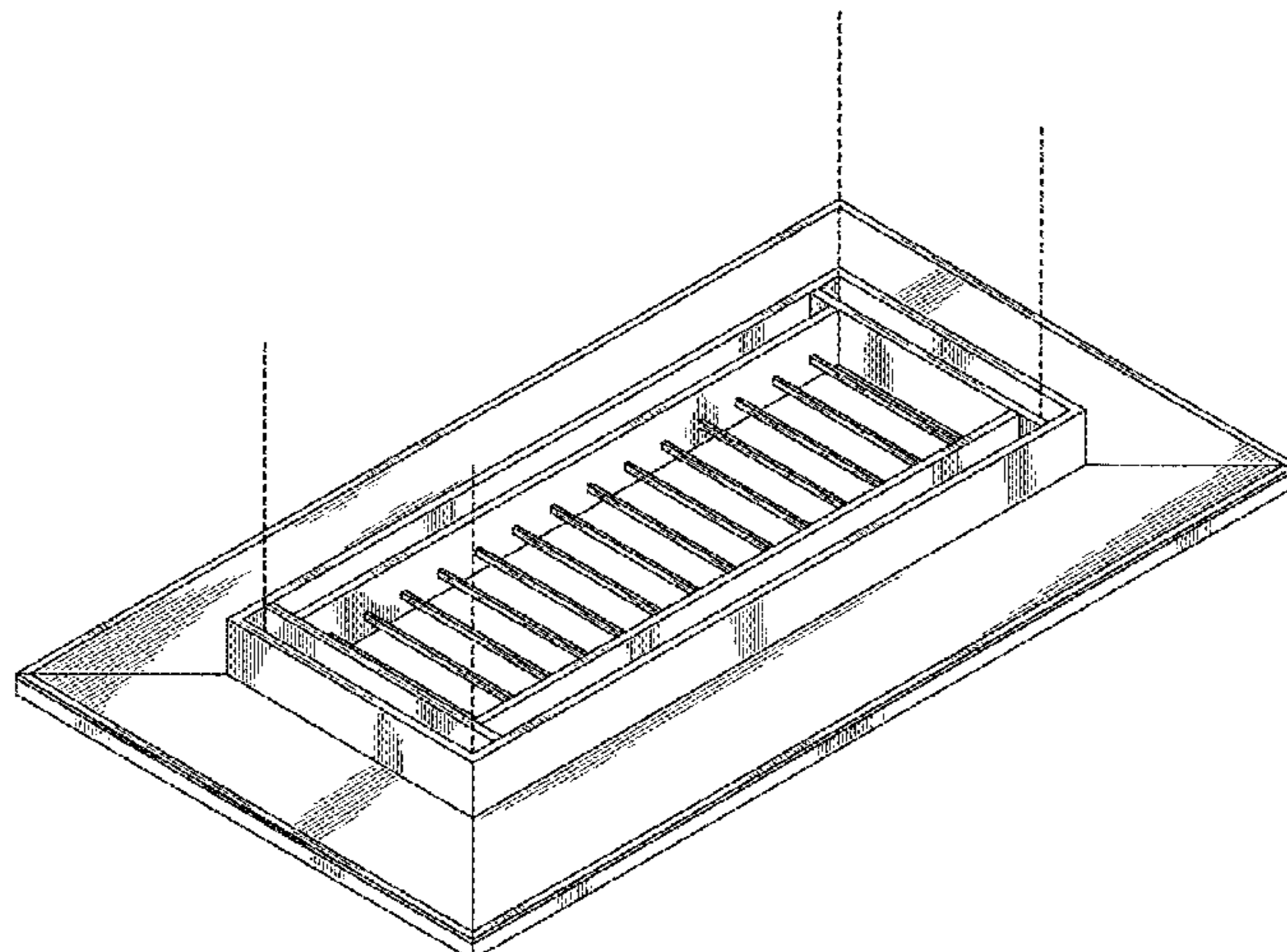
(57) **CLAIM**

The ornamental design for a hanging rack, as shown and described.

DESCRIPTION

FIG. 1 depicts a perspective view of a hanging rack;
 FIG. 2 depicts a top view of the hanging rack of FIG. 1;
 FIG. 3 depicts a bottom view of the hanging rack of FIG. 1;
 FIG. 4 depicts a front view of the hanging rack of FIG. 1, with the back view being identical thereto; and,
 FIG. 5 depicts a right side view of the hanging rack of FIG. 1, with the left side view being identical thereto.
 The broken lines depict portions of the article that form no part of the claimed design.

1 Claim, 4 Drawing Sheets



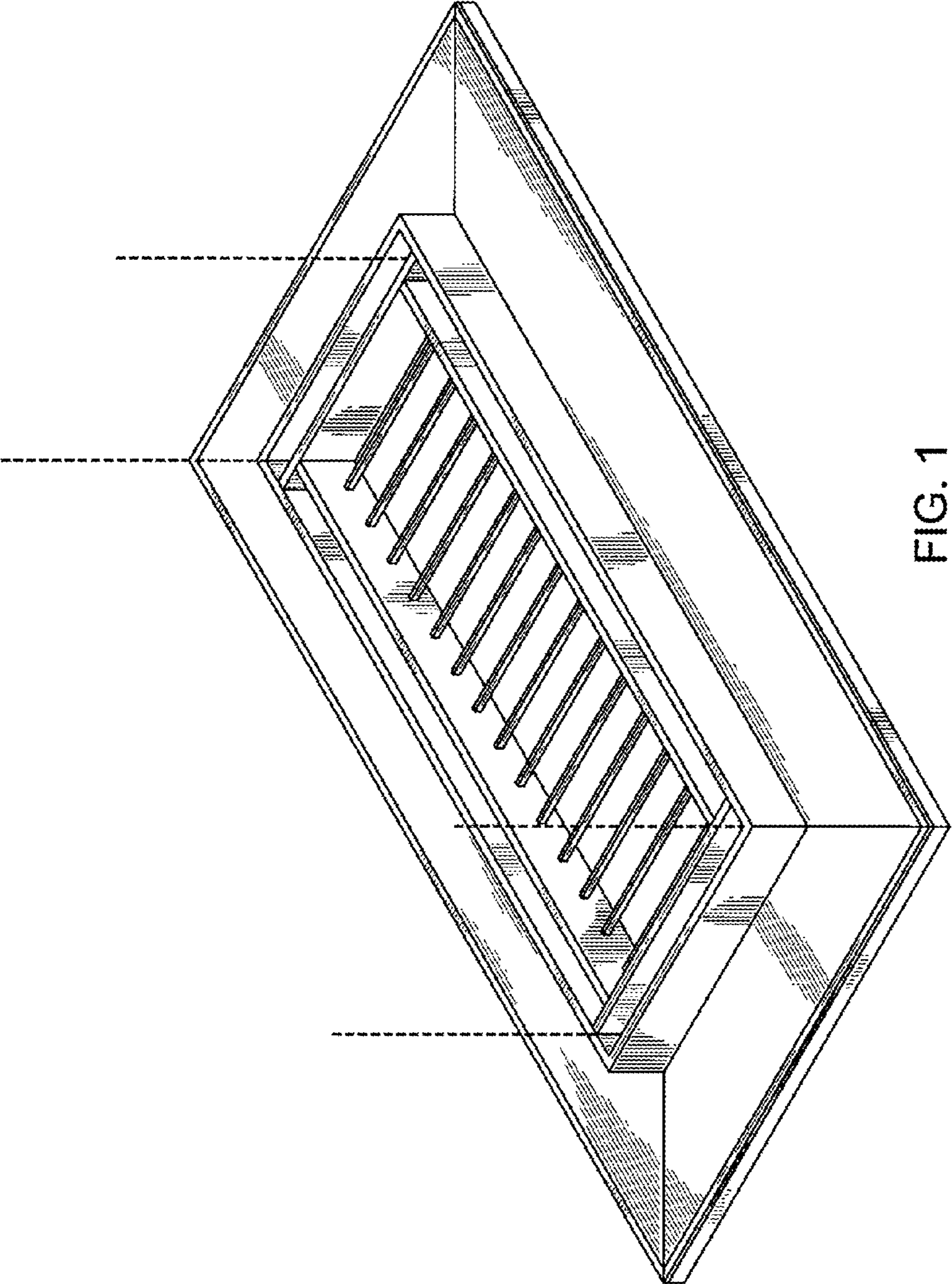


FIG. 1

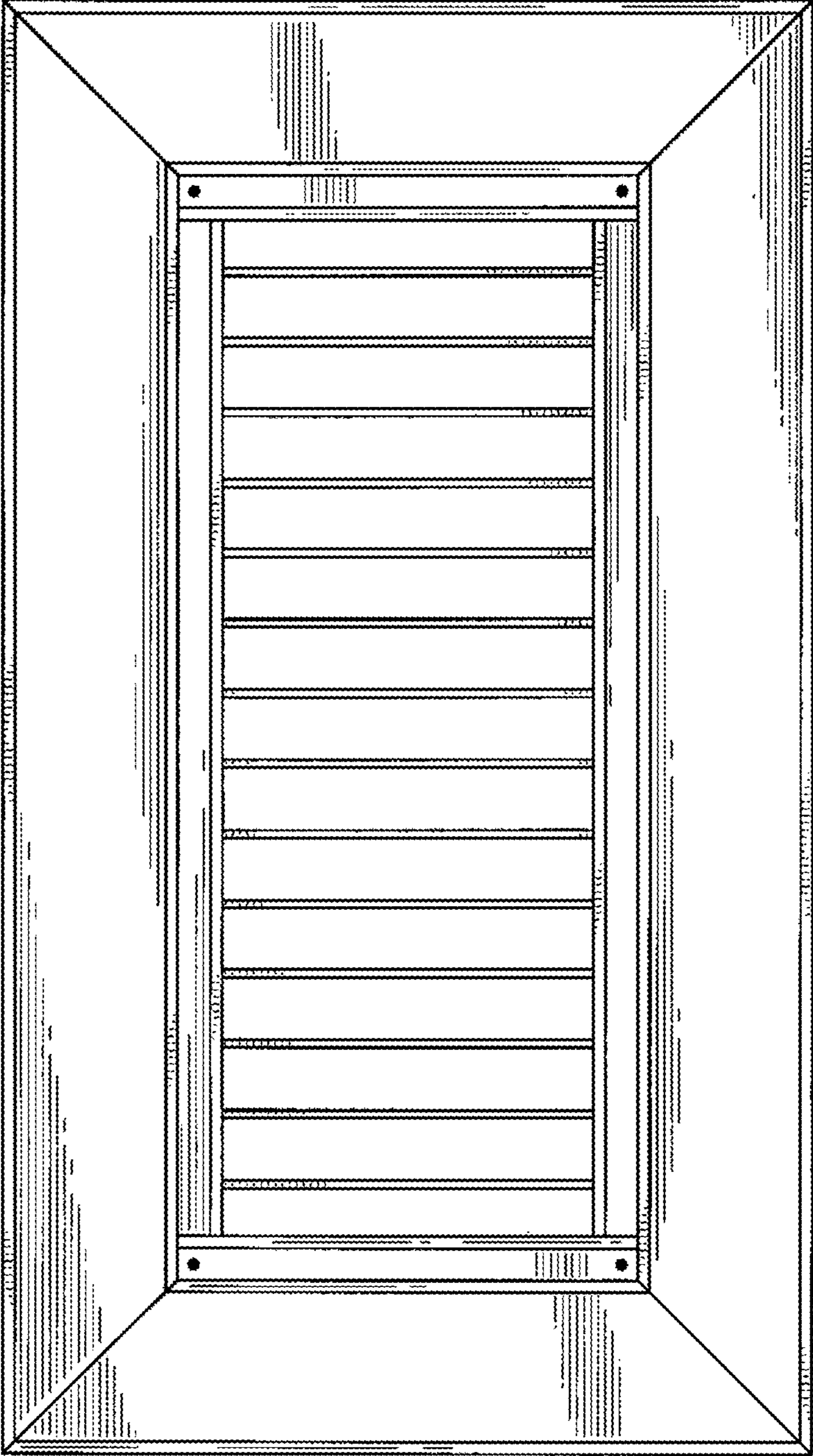


FIG. 2

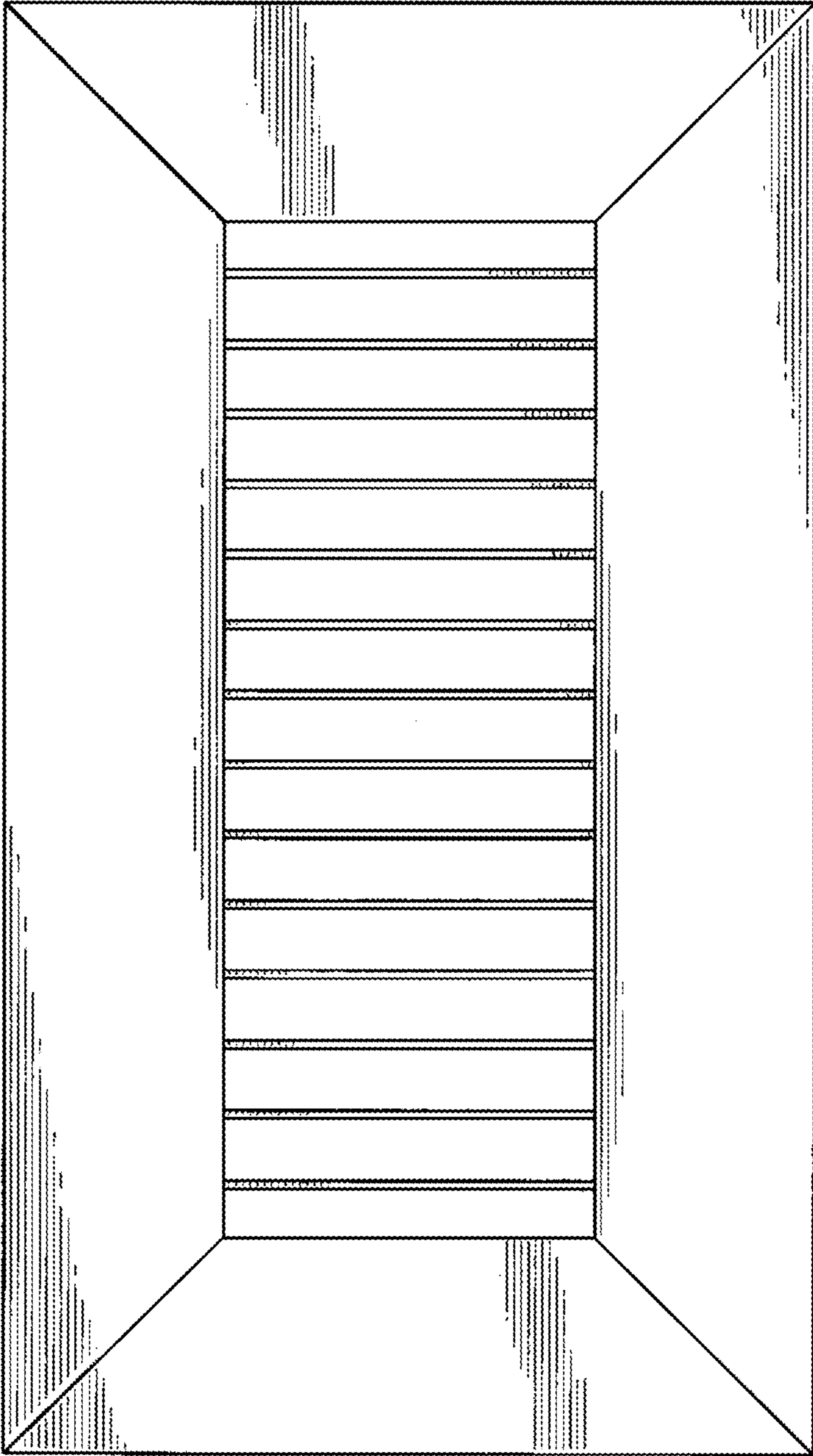


FIG. 3

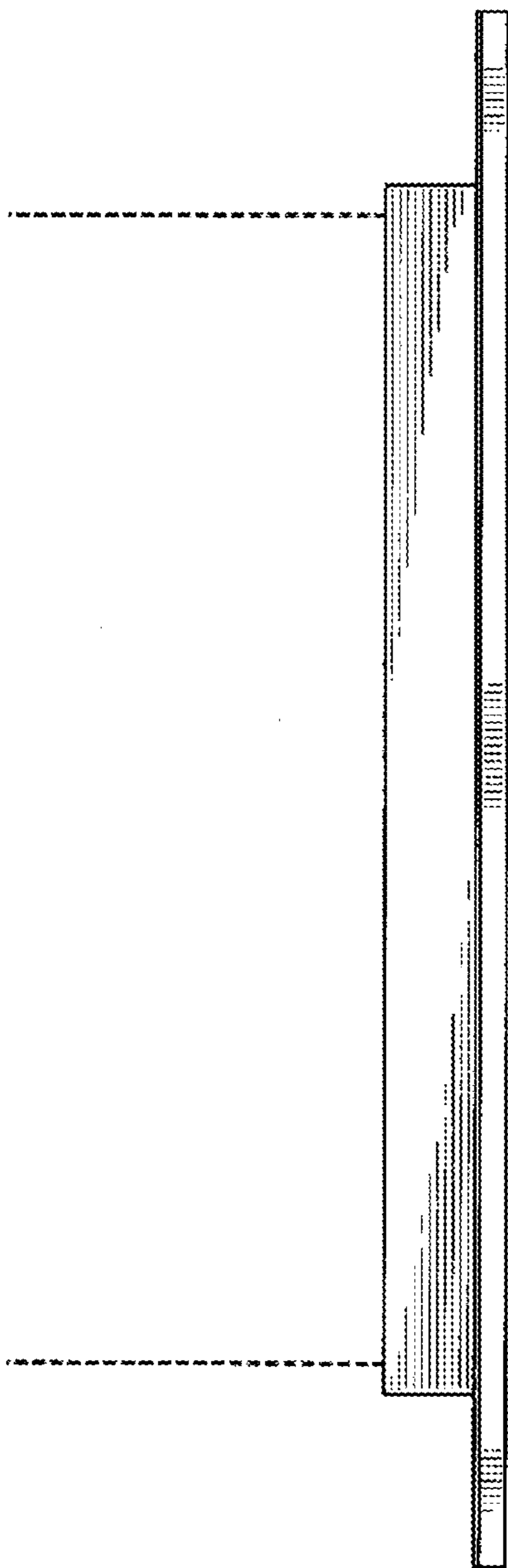


FIG. 4

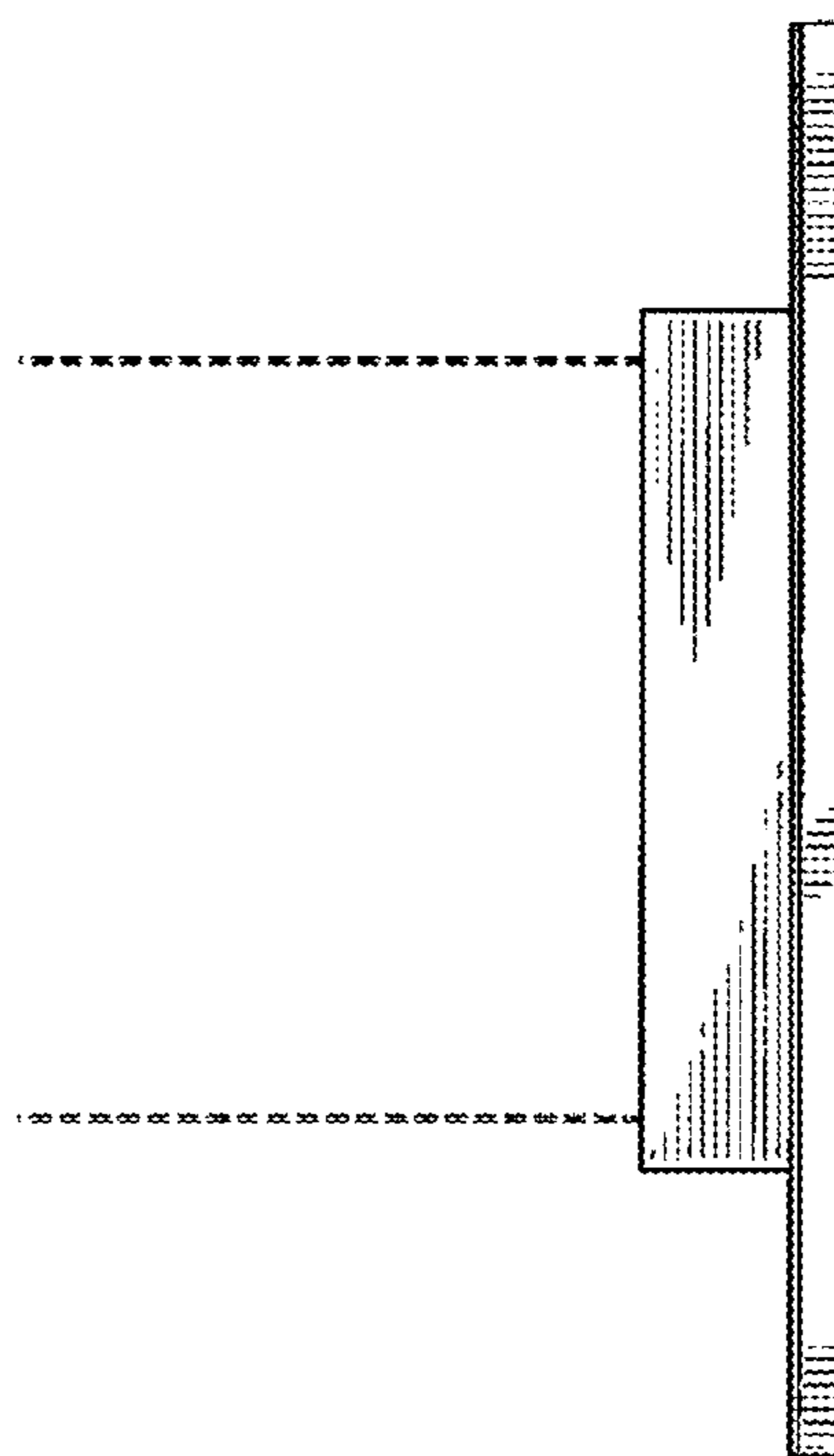


FIG. 5