



US00D757454S

(12) **United States Design Patent**
Alesi

(10) **Patent No.:** **US D757,454 S**
(45) **Date of Patent:** **** May 31, 2016**

(54) **HANGER**

(71) Applicant: **Custom Accessories, Inc.**, Richmond, IL (US)

(72) Inventor: **Vincent Alesi**, Kildeer, IL (US)

(73) Assignee: **Custom Accessories, Inc.**, Richmond, IL (US)

(**) Term: **14 Years**

(21) Appl. No.: **29/526,071**

(22) Filed: **May 6, 2015**

(51) **LOC (10) Cl.** **06-08**

(52) **U.S. Cl.**
USPC **D6/315**

(58) **Field of Classification Search**
USPC D6/315-328; 223/85-98; 211/1, 13.1, 211/85.3, 113
CPC A47G 25/14; A47G 25/28; A47G 25/26; A47G 25/30; A47G 25/36; A47G 25/50; A47G 25/442; A47G 25/483; A47G 25/743; A47G 25/4023; A47F 5/0006
See application file for complete search history.

(56) **References Cited**

U.S. PATENT DOCUMENTS

D134,660	S	*	12/1942	Johnson	223/88
2,748,953	A	*	6/1956	Behlefeldt	A47G 25/743 211/113
2,806,641	A	*	9/1957	Rowe	A47G 25/487 223/96
D186,004	S	*	8/1959	Coon	223/88
D190,402	S	*	5/1961	Welch	223/95
D287,085	S	*	12/1986	Leeds	D6/327
D323,587	S		2/1992	Primeau		
D342,834	S	*	1/1994	Lorenzana	D6/315
D355,771	S	*	2/1995	Adams	D6/318

D367,768	S	*	3/1996	Wagner	D6/319
D472,062	S		3/2003	Yegavian et al.		
D525,661	S		7/2006	Hussaini et al.		
D642,388	S	*	8/2011	Henderson	D6/319
8,087,520	B2		1/2012	Milella, Jr. et al.		
D702,049	S	*	4/2014	Lazri	D6/319
8,720,842	B2	*	5/2014	Huang	A47F 7/16 211/113
D715,635	S	*	10/2014	Brown	D9/415
2006/0249549	A1	*	11/2006	Giampavolo	A47G 25/1457 223/85
2007/0145085	A1		6/2007	Masanek, Jr.		
2011/0095155	A1	*	4/2011	Milella, Jr.	A47F 5/0006 248/339

* cited by examiner

Primary Examiner — Derrick Holland

Assistant Examiner — Lauren Calve

(74) *Attorney, Agent, or Firm* — Patzik, Frank & Samotny Ltd.

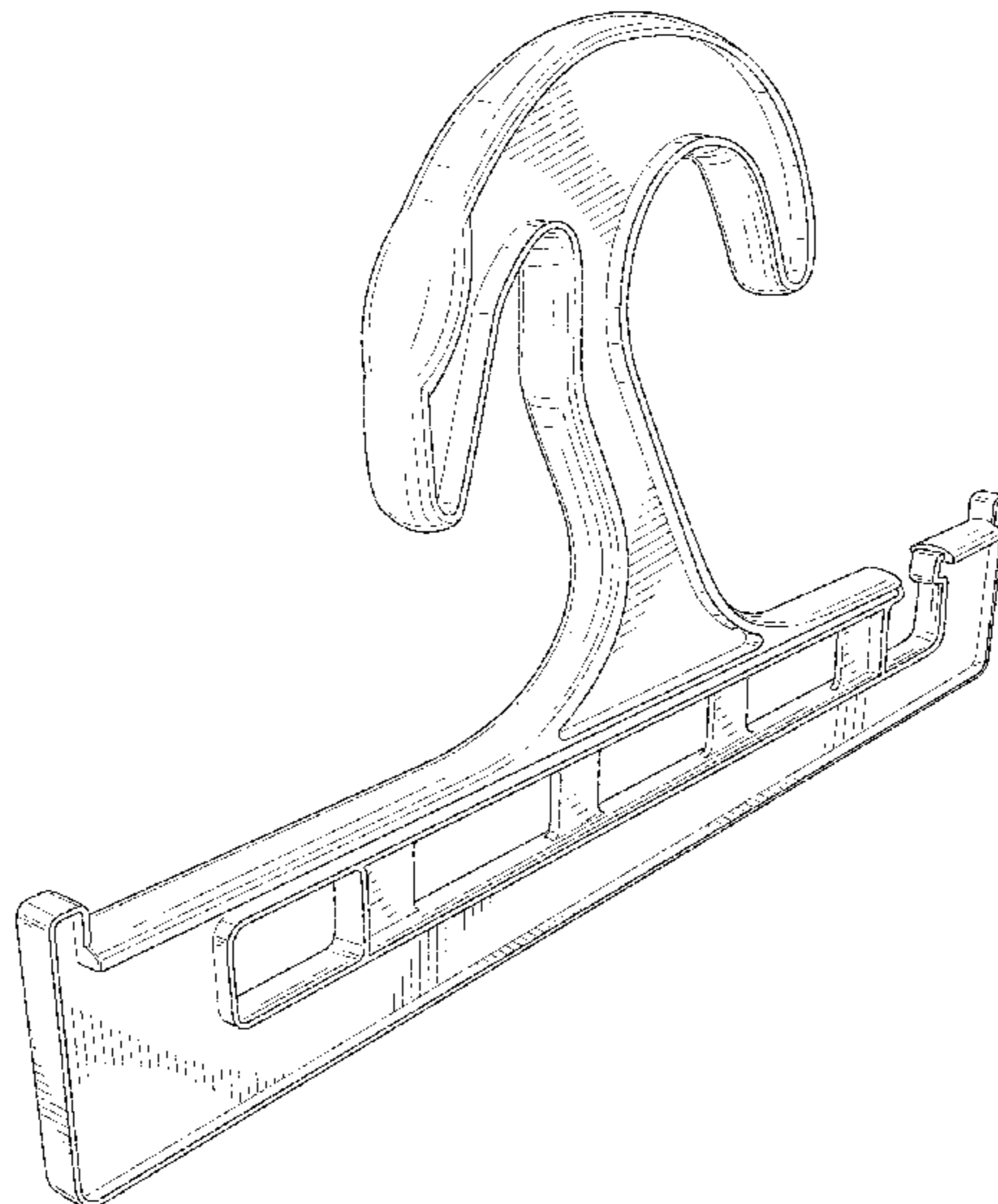
(57) **CLAIM**

The ornamental design for a hanger, as shown and described.

DESCRIPTION

FIG. 1 is a front perspective view of a hanger of the present invention;
FIG. 2 is a left side elevation view of the hanger of the present invention;
FIG. 3 is a right side elevation view of the hanger of the present invention;
FIG. 4 is a front elevation view of the hanger of the present invention;
FIG. 5 is a rear elevation view of the hanger of the present invention;
FIG. 6 is a top plan view of the hanger of the present invention; and,
FIG. 7 is a bottom plan view of the hanger of the present invention.

1 Claim, 5 Drawing Sheets



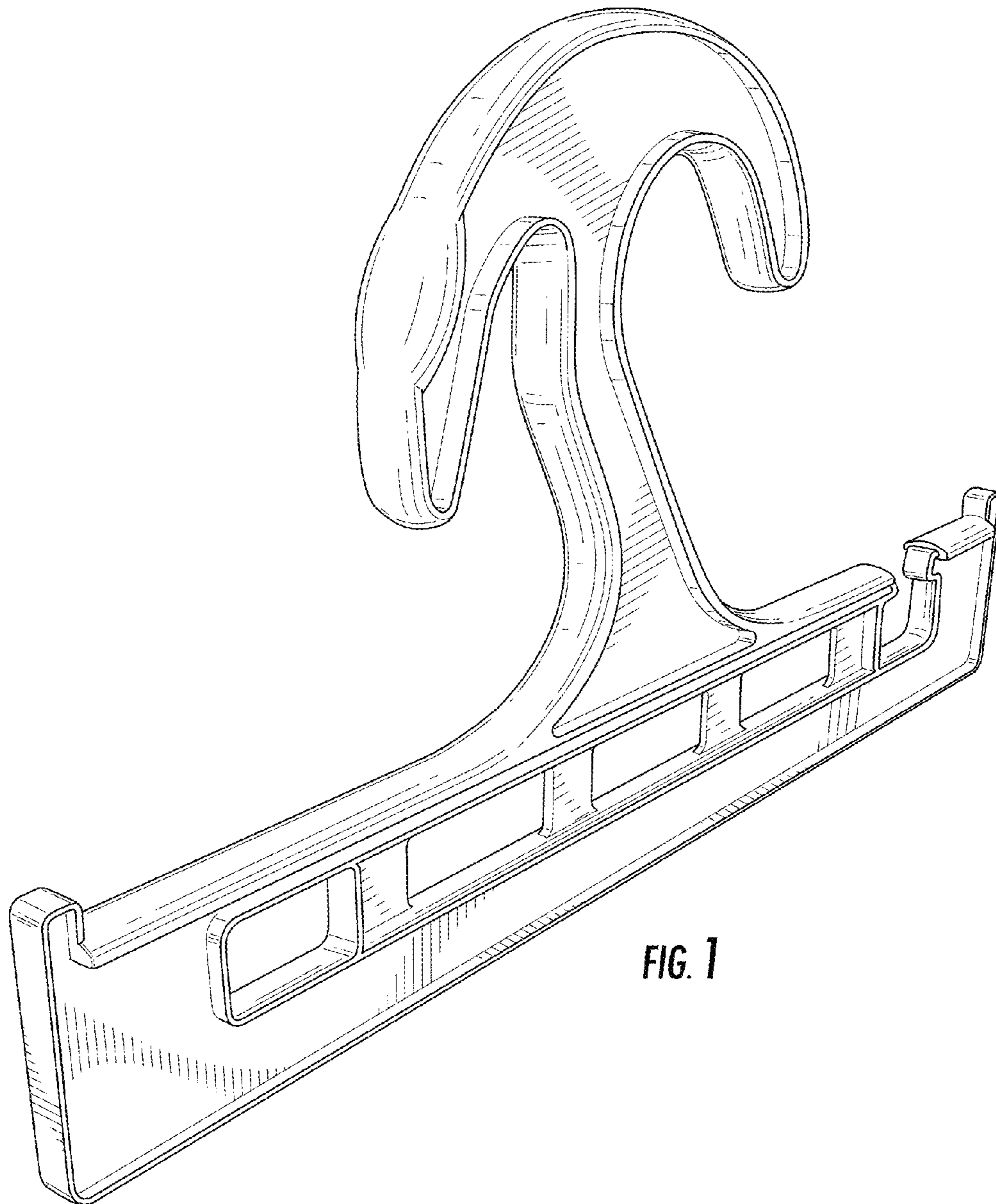


FIG. 1

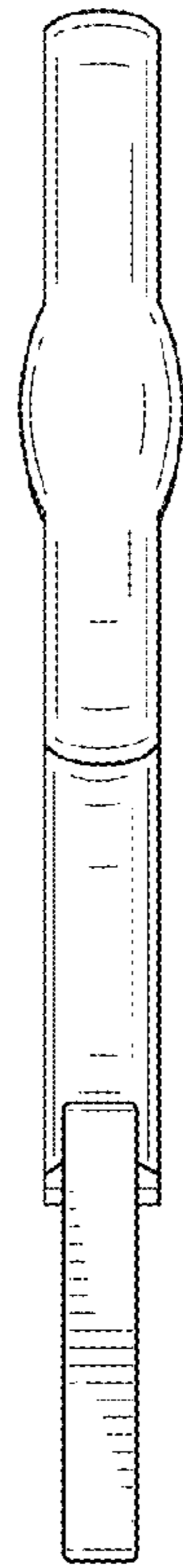


FIG. 2

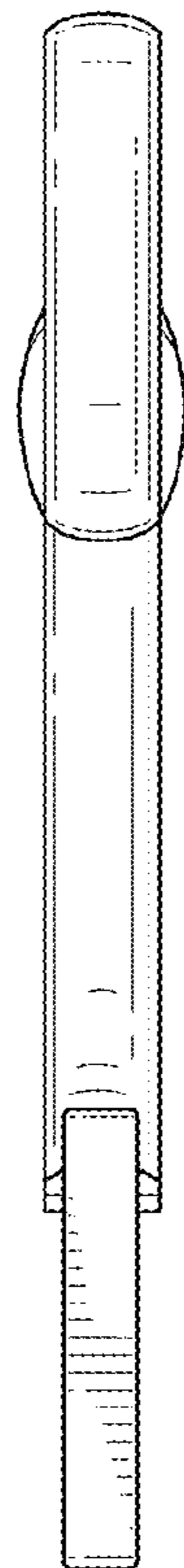


FIG. 3

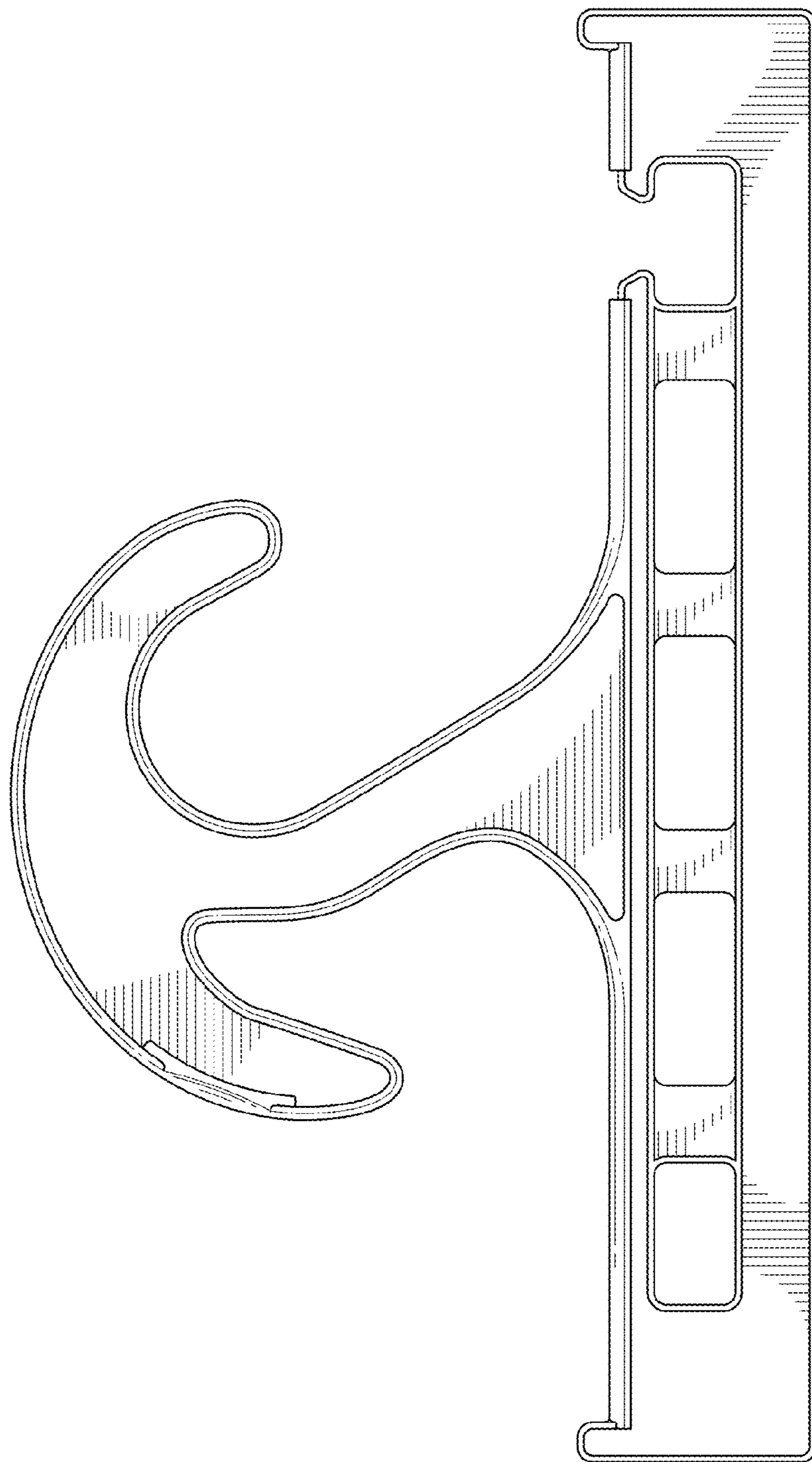


FIG. 4

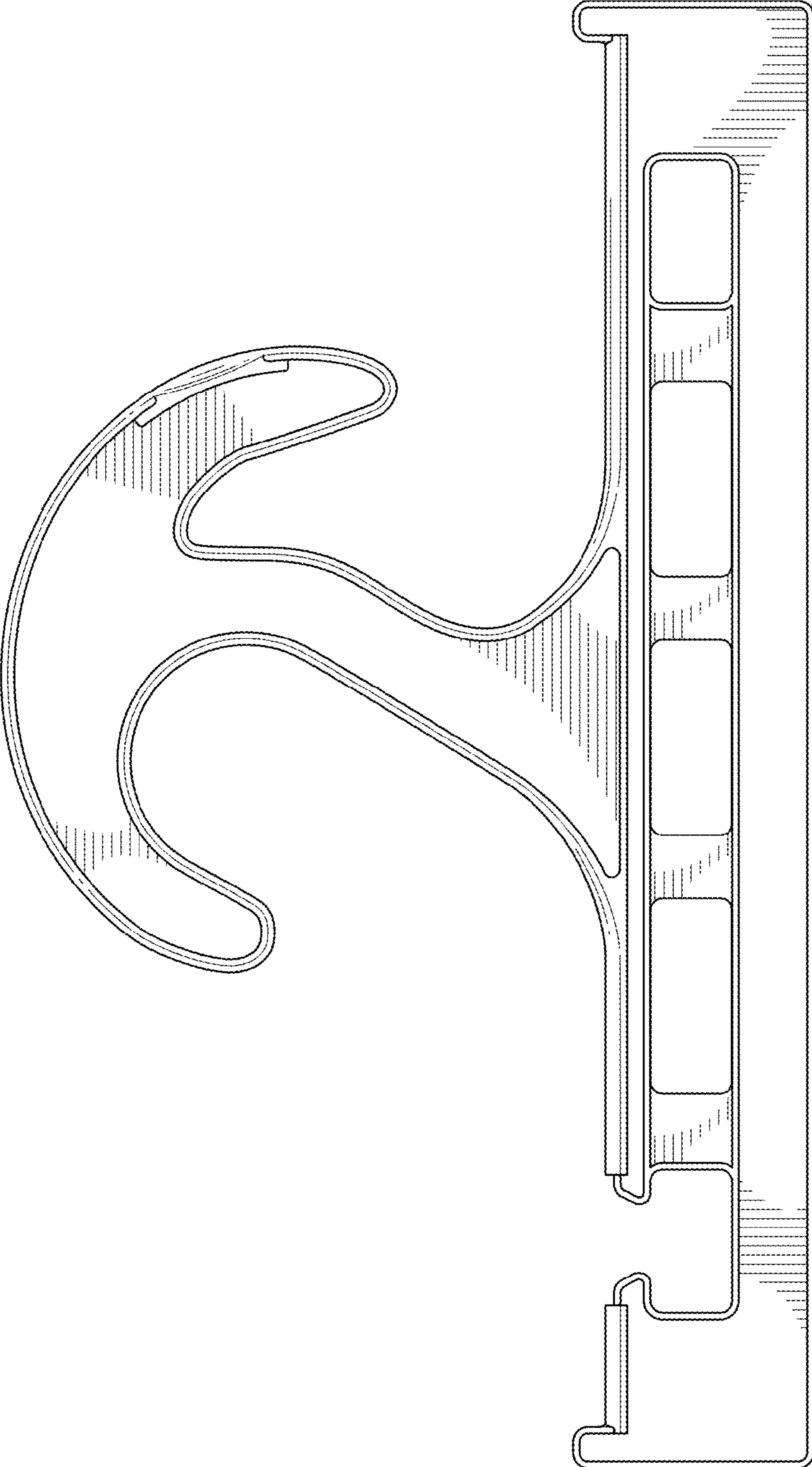


FIG. 5

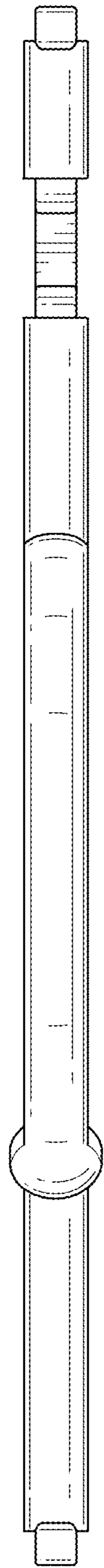


FIG. 6

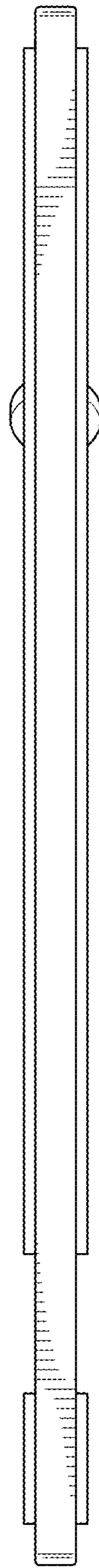


FIG. 7