



US00D757448S

(12) **United States Design Patent**
Lambertson, Jr. et al.

(10) **Patent No.:** **US D757,448 S**
(45) **Date of Patent:** **** May 31, 2016**

(54) **PAINT BRUSH HANDLE**

(71) Applicant: **THE SHERWIN-WILLIAMS COMPANY**, Cleveland, OH (US)

(72) Inventors: **Michael C. Lambertson, Jr.**, Aurora, OH (US); **William Pavilonis**, Westlake, OH (US); **Reid C. Parks**, Shaker Heights, OH (US)

(73) Assignee: **The Sherwin-Williams Company**, Cleveland, OH (US)

(**) Term: **14 Years**

(21) Appl. No.: **29/489,629**

(22) Filed: **May 1, 2014**

(51) **LOC (10) Cl.** **04-02**

(52) **U.S. Cl.**
USPC **D4/138**

(58) **Field of Classification Search**

USPC D4/100, 102, 114, 117, 118, 121, D4/130-136, 138; 15/21.1, 143.1, 145, 15/159.1, 160, 186-188; 132/120, 142, 132/313; D8/80, 83, 94, 107, 300
CPC A45D 24/14; A45D 24/16; A46B 3/005; A46B 5/00; A46B 5/02; A46B 5/021; A46B 9/02; A46B 9/021; A46B 9/023; A46B 13/001; A46B 13/008; A46B 15/0055; A46B 15/0081; A46B 15/0087; A46B 17/02; A46B 2200/30; A46B 2200/104; A46B 2200/106; A46B 2200/202; A46B 2200/205; A46B 2200/207; A46B 2200/304; A46B 2200/1006; A46B 2200/1046; A46B 2200/1053; A46B 2200/3006; A46B 2200/3033; A46B 2200/3093

See application file for complete search history.

(56) **References Cited**

U.S. PATENT DOCUMENTS

1,826,165	A *	10/1931	Cartwright	A46B 5/02 15/143.1
D216,247	S *	12/1969	Mcguire	D4/135
D271,628	S *	11/1983	Bauer	D32/49
D273,636	S *	5/1984	Chu	D4/138
D475,204	S *	6/2003	Vaes	D4/138
D563,675	S *	3/2008	Zemel	D4/135
D575,066	S *	8/2008	Waksman	D4/138
D601,810	S *	10/2009	Waksman	D4/138
D679,506	S *	4/2013	Hile	D4/135
D679,507	S *	4/2013	Hile	D4/135
2010/0199449	A1 *	8/2010	Ho	A46B 3/005 15/207.2

* cited by examiner

Primary Examiner — Keli L Hill

(74) *Attorney, Agent, or Firm* — David A. Sherwin; James C. Scott; Vivien Y. Tsang

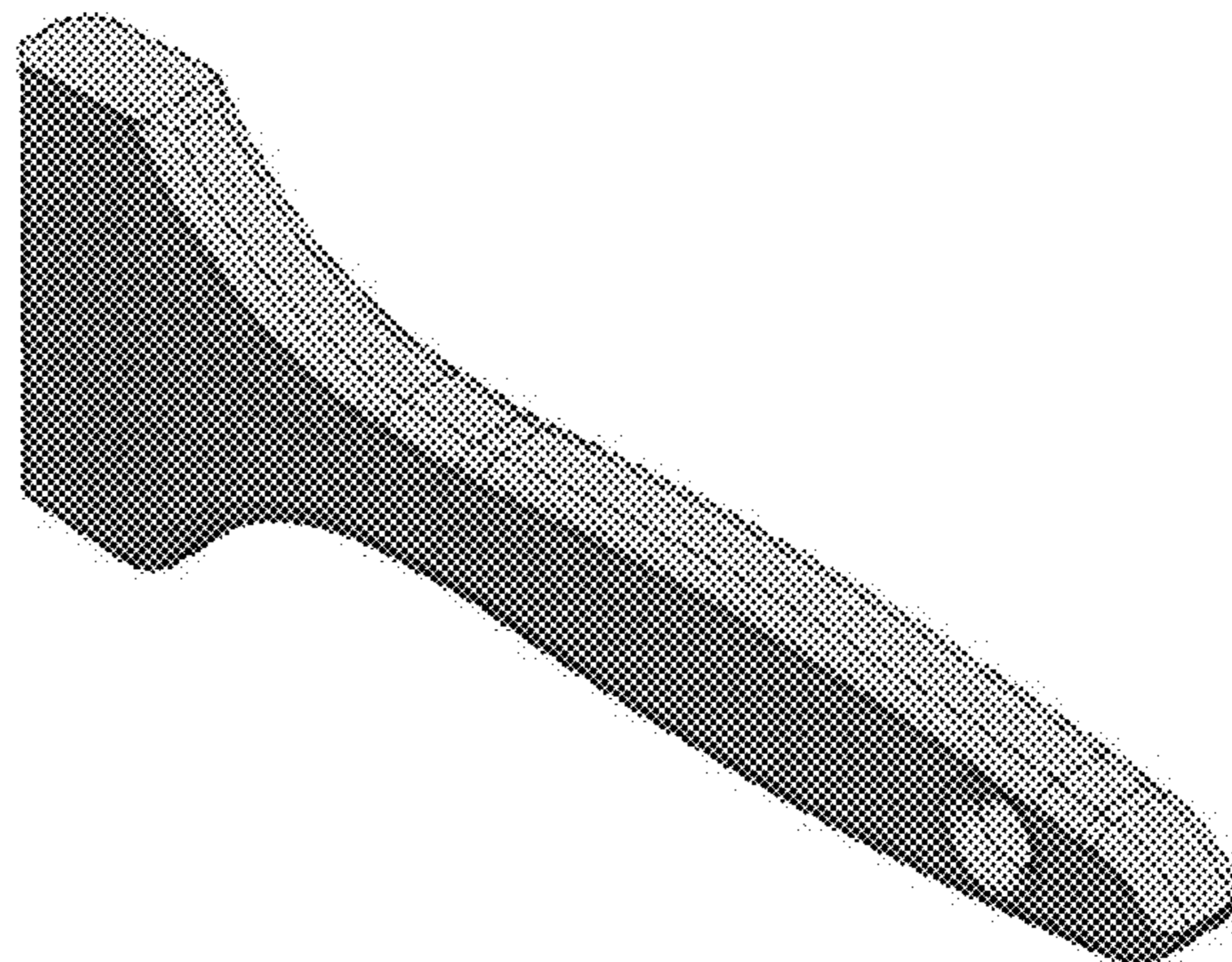
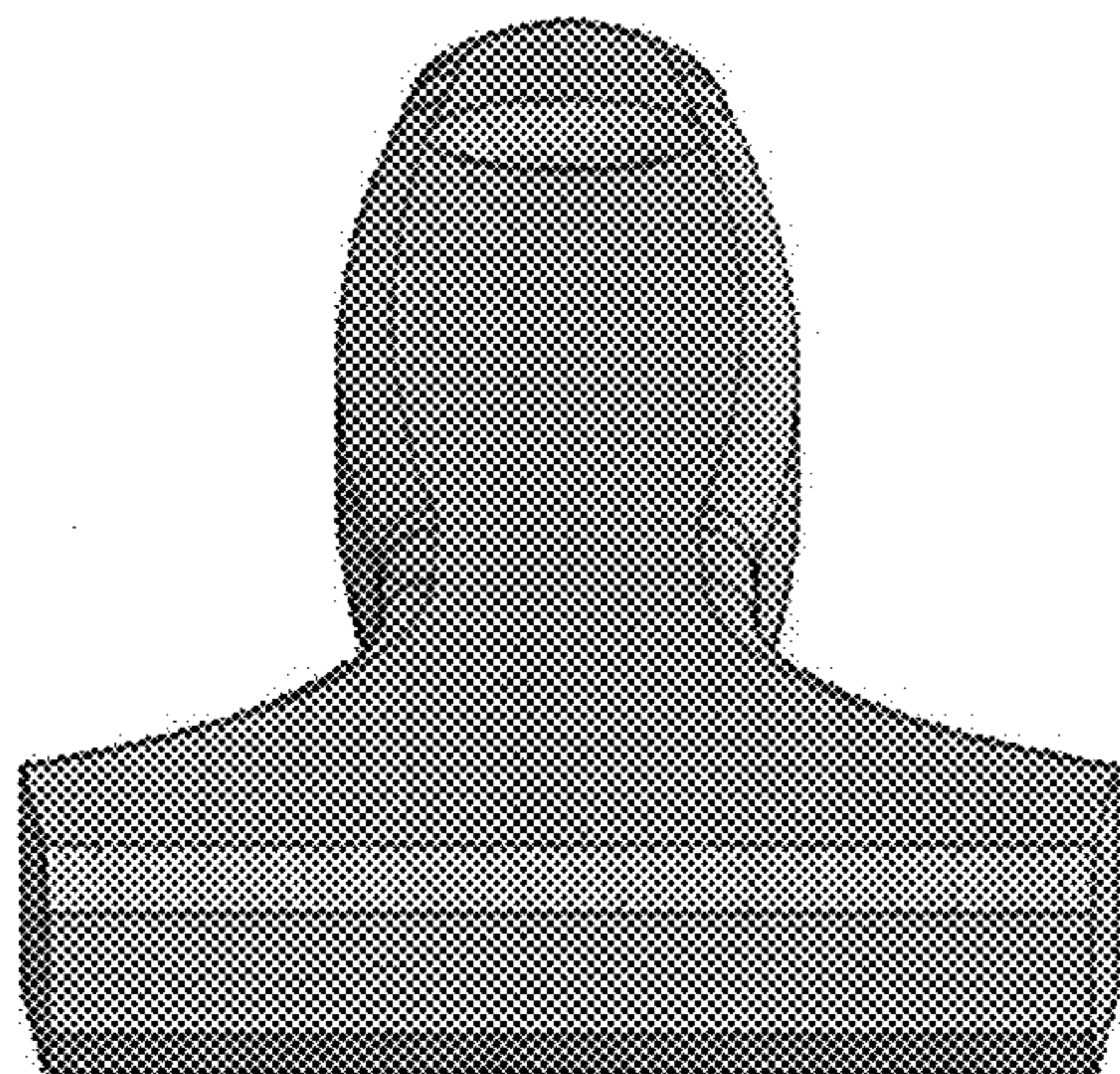
(57) **CLAIM**

The ornamental design for a paint brush handle, as shown and described.

DESCRIPTION

FIG. 1 is a front elevation view of a first embodiment of a paint brush handle, embodying our new design;
FIG. 2 is a side elevation view thereof;
FIG. 3 is a top perspective view thereof;
FIG. 4 is a side perspective view thereof;
FIG. 5 is a front elevation view of a second embodiment of a paint brush handle, embodying our new design;
FIG. 6 is a side elevation view thereof;
FIG. 7 is a top perspective view thereof; and,
FIG. 8 is a side perspective view thereof.

1 Claim, 4 Drawing Sheets



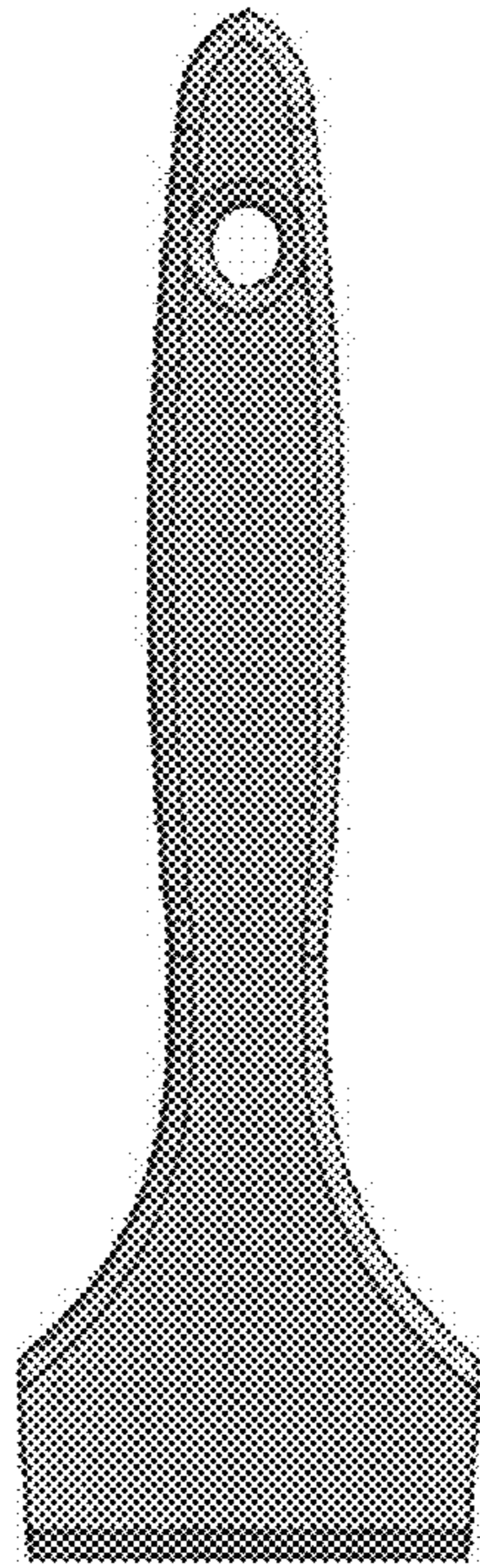


FIG. 1



FIG. 2

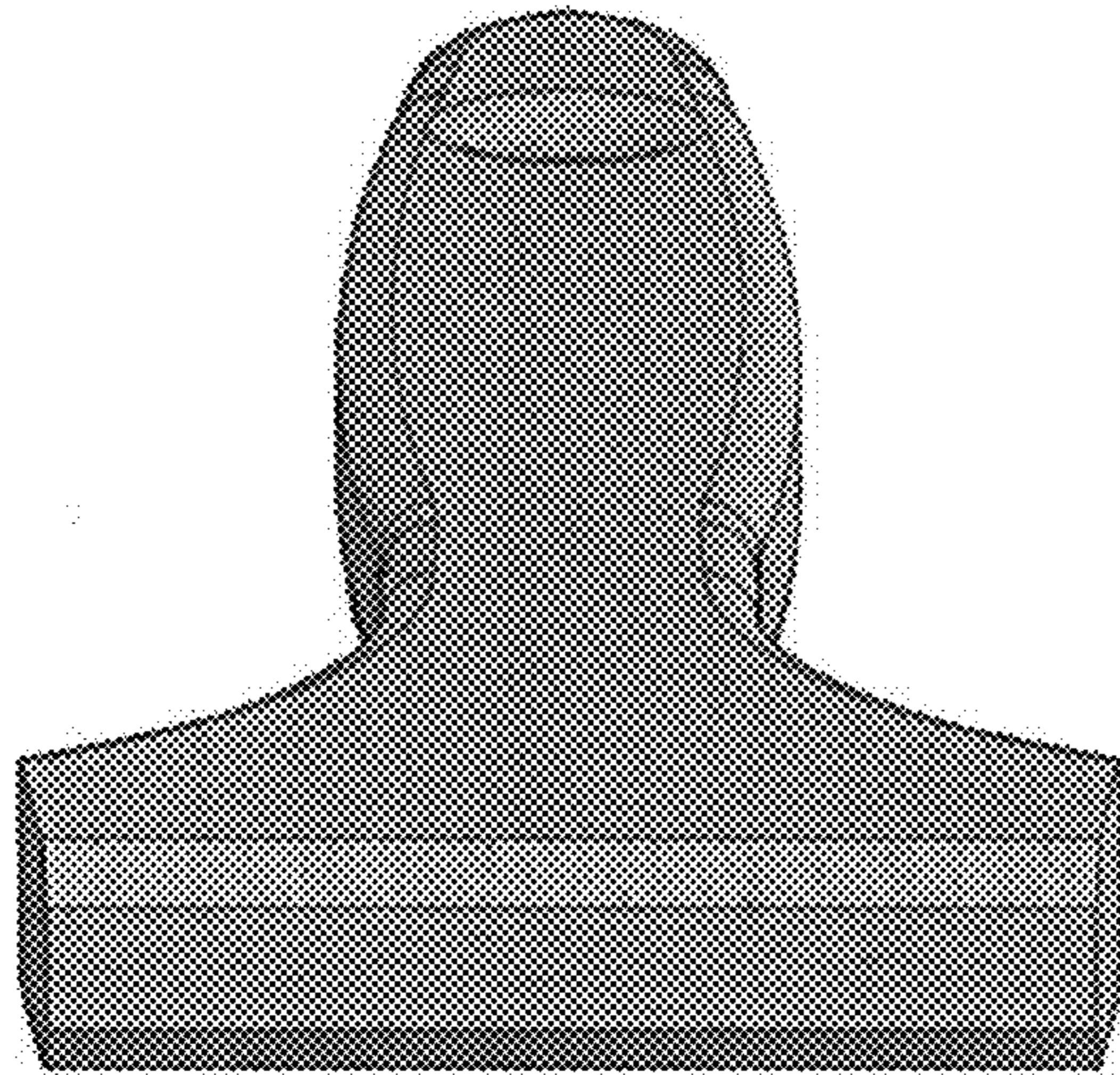


FIG. 3

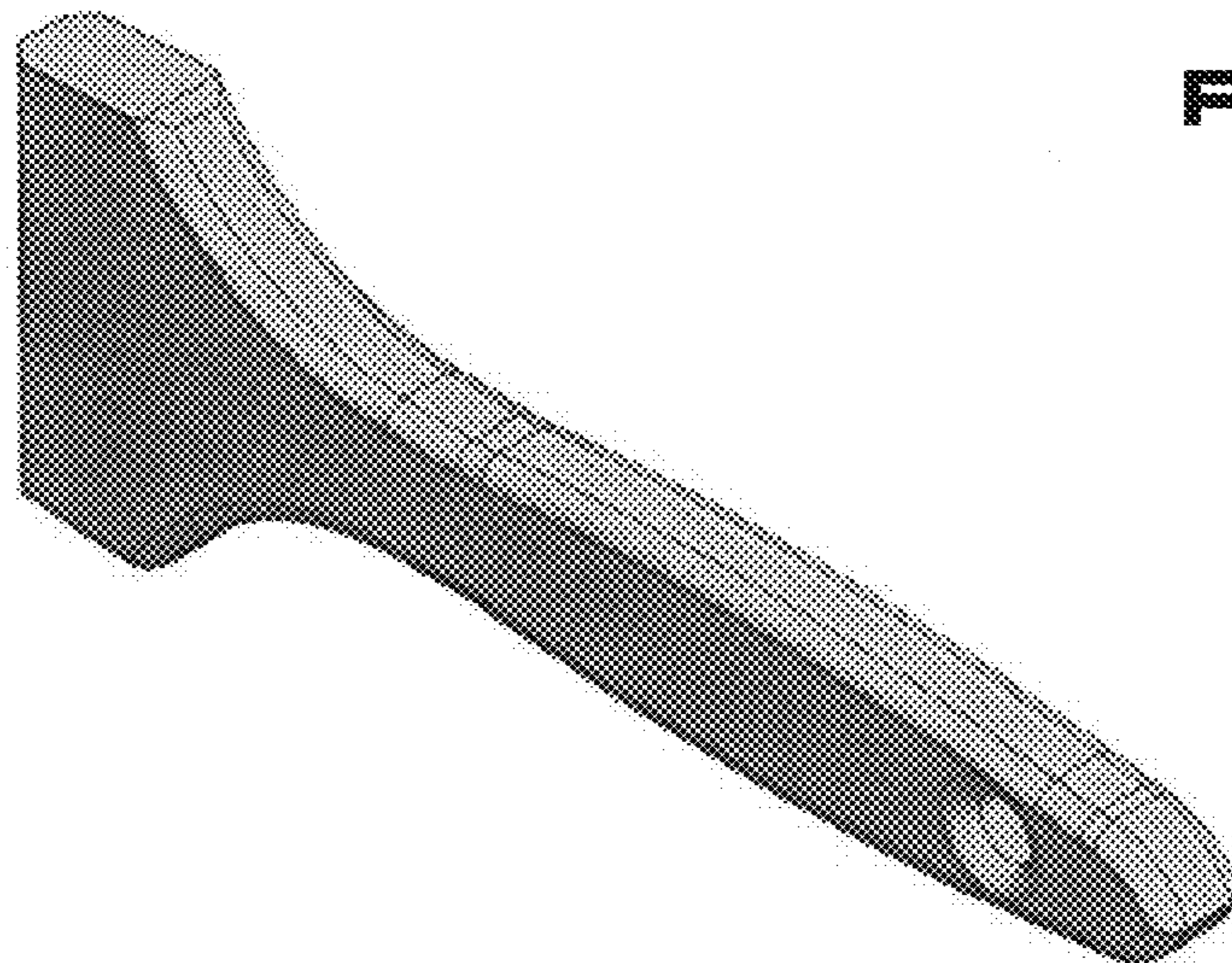


FIG. 4

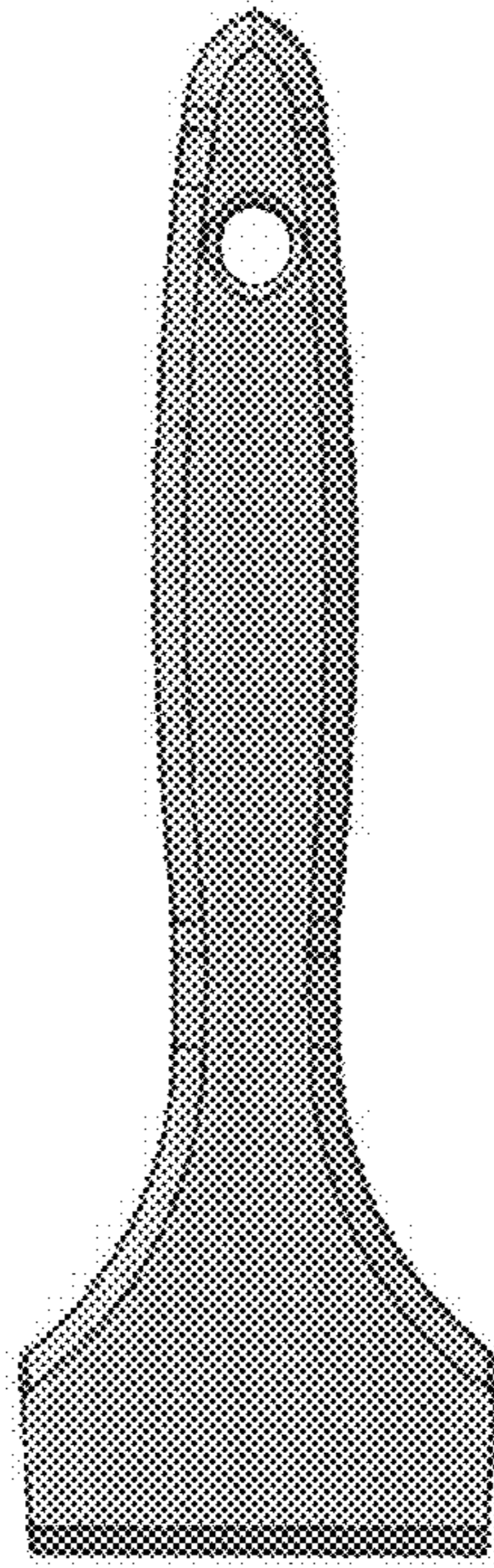


FIG. 5

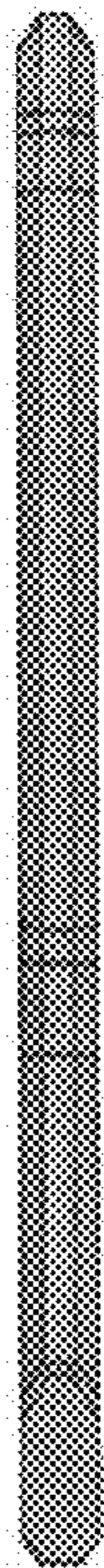


FIG. 6

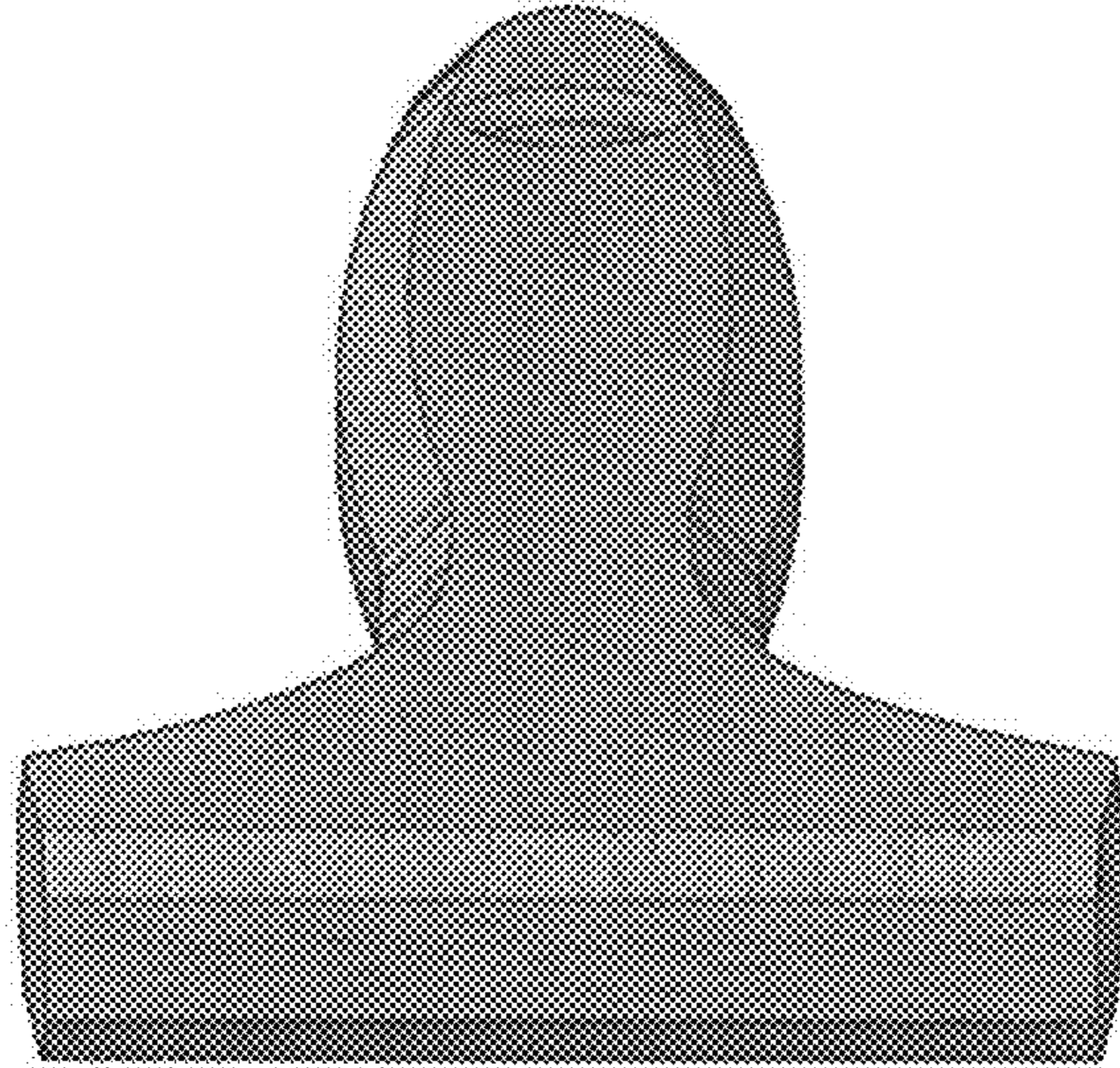


FIG. 7

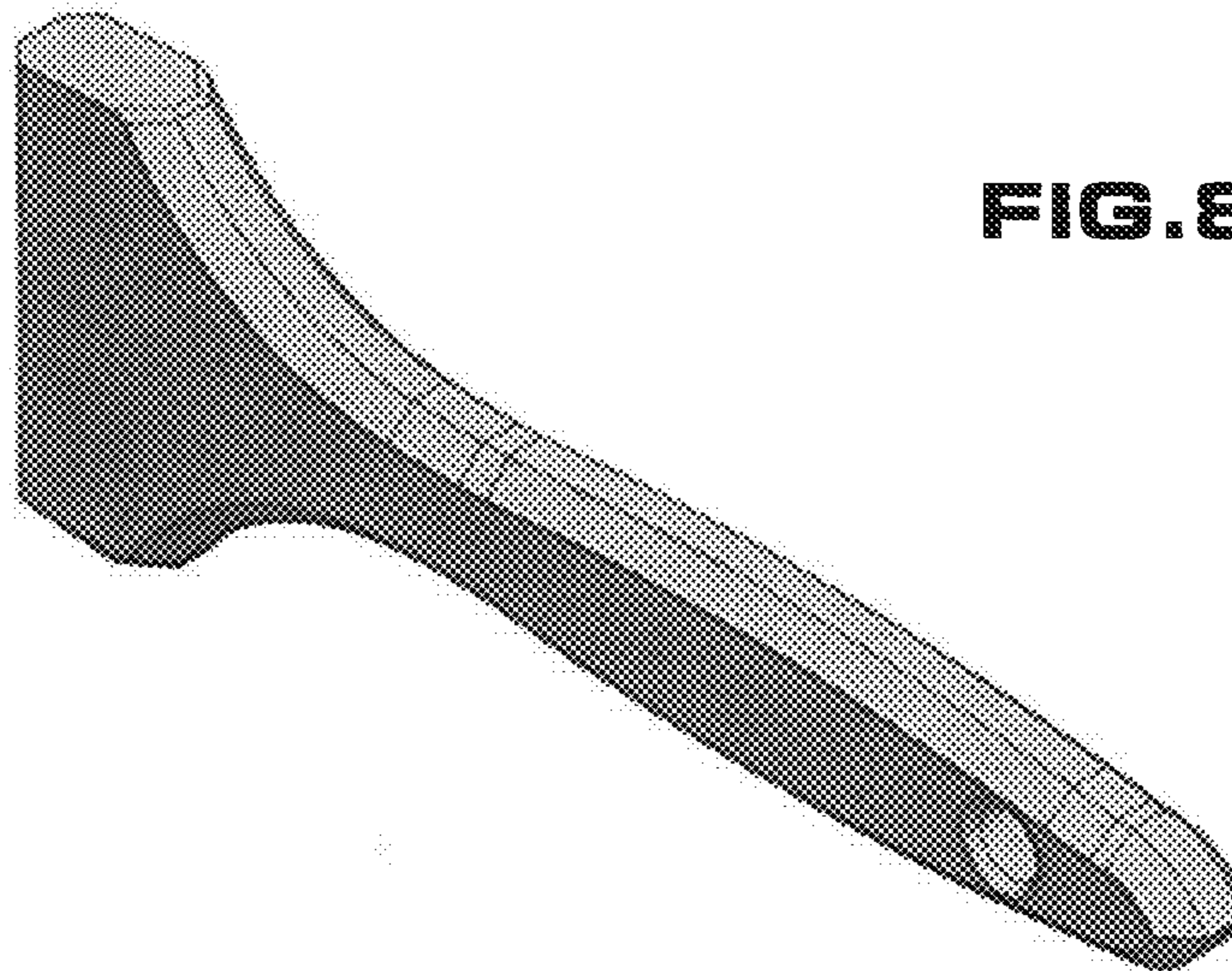


FIG. 8