



US00D757446S

(12) **United States Design Patent**
Ewert

(10) **Patent No.:** **US D757,446 S**
(45) **Date of Patent:** **** May 31, 2016**

(54) **POOL SKIMMER BRUSH ATTACHMENT**
(71) Applicant: **Nancy A. Ewert, Modesto, CA (US)**
(72) Inventor: **Nancy A. Ewert, Modesto, CA (US)**
(**) Term: **14 Years**

(21) Appl. No.: **29/481,707**
(22) Filed: **Feb. 10, 2014**
(51) **LOC (10) Cl.** **04-02**
(52) **U.S. Cl.**
USPC **D4/133; D4/116**

(58) **Field of Classification Search**
USPC D4/116-123, 127, 128, 130, 132-136,
D4/199; 15/160, 1.7, 52.1, 55, 82, 179,
15/183, 246, 201, 105, 106, 146, 159.1,
15/184, 207.2, 236.1, 250.361, 250.37,
15/256.5, 1, 114, 117, 121, 104.04, 4,
15/21.1, 22.2, 22.3, 49.1, 50.3, 53.1, 53.2,
15/54, 78-79.2, 256.51-256.53;
210/167.1, 167.12, 167.15, 167.16,
210/167.18, 167.21, 271, 272, 324, 541,
210/542; 114/222; 43/1, 107, 110, 111,
43/121, 133, 134, 142; D32/50, 51, 15,
D32/16, 19, 24, 33, 52; D23/200, 206, 209,
D23/210
CPC E04H 4/16; E04H 4/1609; E04H 4/1618;
E04H 4/1654; E04H 4/1663; E04H 4/1681;
E04H 4/12; E04H 4/1218; E04H 4/1254;
E04H 4/1263; E01H 1/00; E01H 1/02; E01H
1/04; E01H 1/045; E01H 1/05; E01H 1/053;
E01H 1/056; A46B 3/00; A46B 3/20; A46B
5/00; A46B 5/002; A46B 5/0025; A46B
5/0045; A46B 5/0054; A46B 55/0075; A46B
5/0079; A46B 5/0083; A46B 5/0091; A46B
5/0095; A46B 7/00; A46B 7/044; A46B
7/046; A46B 7/048; A46B 7/06; A46B 7/10;
A46B 9/00; A46B 9/02; A46B 9/025; A46B
9/026; A46B 9/028; A46B 9/08; A46B 9/10;
A46B 9/12; A46B 13/001; A46B 13/003;
A46B 15/0016; A46B 15/0002; A46B 15/172;
A46B 15/0055; A46B 15/0081; A46B 17/08;
A46B 2200/3073; A46B 2200/3046; A46B

2200/302; A46D 1/02; A46D 1/023; A46D
1/0284; A46D 99/00
See application file for complete search history.

(56) **References Cited**

U.S. PATENT DOCUMENTS

D25,895 S *	8/1896	Young	15/159.1
702,136 A *	6/1902	Isaacs	A46B 9/02 15/160
987,010 A *	3/1911	O'Brien	A46B 9/005 15/117
1,761,180 A *	6/1930	Cave	A47L 1/06 15/117
4,291,431 A *	9/1981	Lewis, Jr.	A46B 3/06 15/159.1
4,637,087 A *	1/1987	Feinberg	E04H 4/1609 15/1.7
4,733,427 A	3/1988	Conrad	
4,783,868 A *	11/1988	O'Callaghan	A46B 15/00 15/1.7
D351,948 S *	11/1994	Getchell	D32/42
5,487,397 A *	1/1996	Bean	E04H 4/1609 134/6
5,661,867 A *	9/1997	Elliott	A46B 9/02 15/106
5,983,431 A *	11/1999	Meshulam	E04H 4/1609 114/222
6,148,466 A *	11/2000	Smitelli, III	A46B 9/02 15/1.7
D445,572 S *	7/2001	Rowell	D4/133

(Continued)

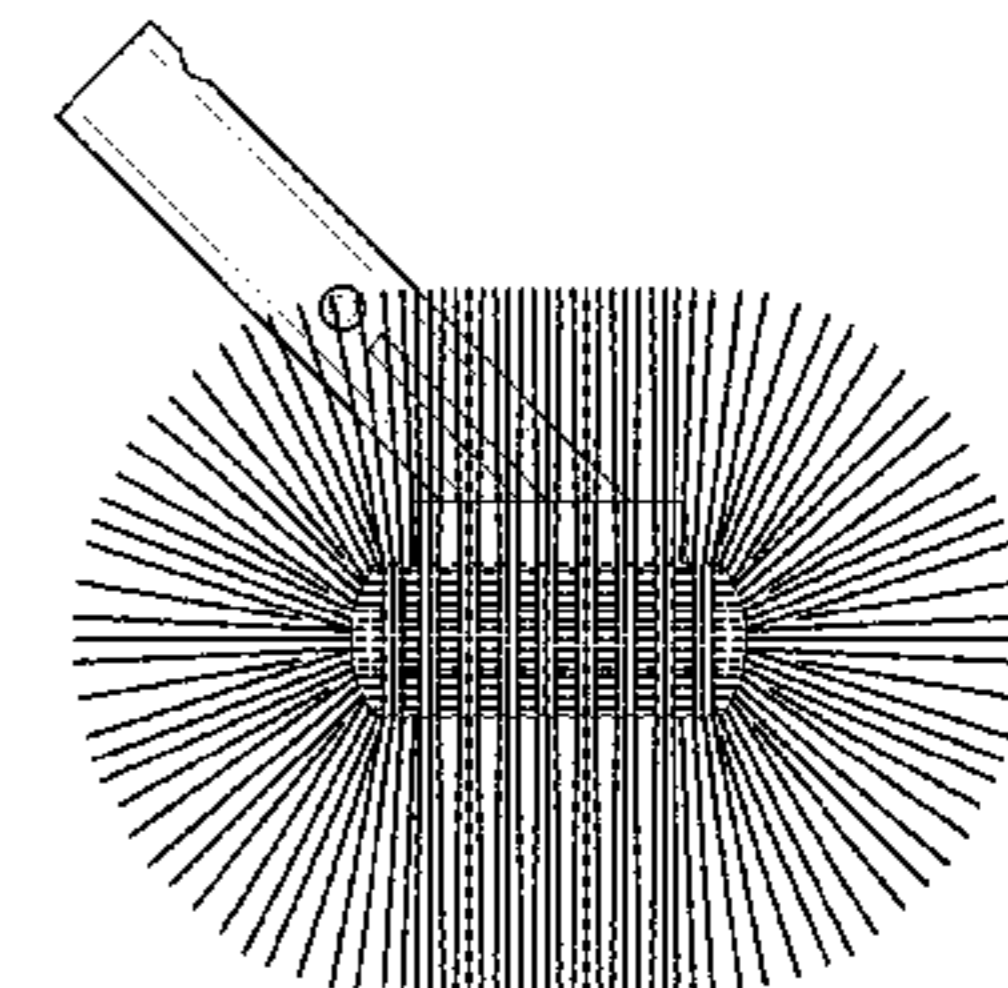
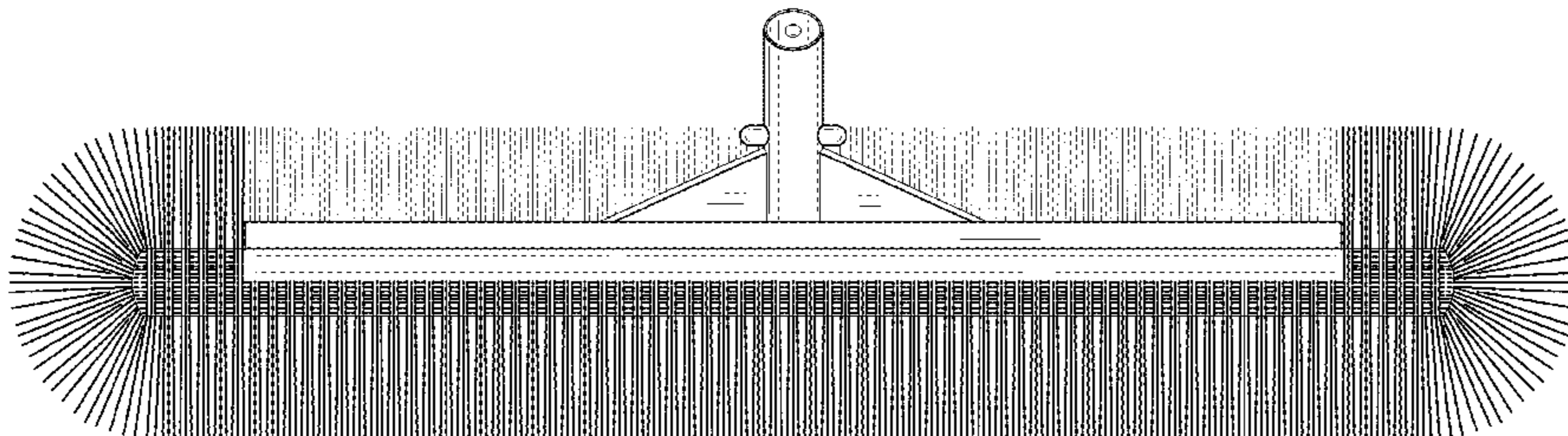
Primary Examiner — Susan Moon Lee
(74) *Attorney, Agent, or Firm* — Crossley & Stevenson IP
Law

(57) **CLAIM**
The ornamental design for a pool skimmer brush attachment,
as shown and described.

DESCRIPTION

FIG. 1 is a front elevation view of a pool skimmer brush attachment showing my new design;
FIG. 2 is a rear elevation view thereof;
FIG. 3 is a right side elevation view thereof, the opposite side being a mirror image of the shown;
FIG. 4 is a top plan view thereof; and,
FIG. 5 is a bottom plan view thereof.

1 Claim, 4 Drawing Sheets



(56)

References Cited

U.S. PATENT DOCUMENTS

6,301,737	B1 *	10/2001	Morse	E04H 4/1609	15/1.7
6,668,413	B2	12/2003	Fortier			
D511,046	S *	11/2005	Berti	D32/50	
D563,107	S *	3/2008	Folden	D4/116	
7,506,393	B1 *	3/2009	LeClair	E04H 4/1609	15/1.7
7,533,436	B2 *	5/2009	Vaartjes	A46B 15/0055	15/114
D611,668	S *	3/2010	Wessel	D32/50	
D642,760	S *	8/2011	Lacotta	D32/50	
8,185,990	B1 *	5/2012	Newville	E04H 4/1609	15/1.7
D664,772	S	8/2012	Rossano et al.			
8,528,146	B1 *	9/2013	Abrahamson	A46B 5/0045	15/1.7
D692,197	S *	10/2013	Rossano	D32/33	
D693,079	S *	11/2013	Nordvik	D32/50	
D747,884	S *	1/2016	Chalifoux	D4/132	
2002/0083536	A1 *	7/2002	Holiday	E04H 4/1609	15/1.7
2003/0102009	A1 *	6/2003	Fortier	A43B 3/20	134/6
2004/0060129	A1 *	4/2004	Juett	A46B 17/08	15/1.7
2004/0255427	A1 *	12/2004	Gavney, Jr.	A46B 9/005	15/401
2012/0144605	A1 *	6/2012	Dewings	E04H 4/1609	15/1.7
2013/0081216	A1 *	4/2013	Gopalan	E04H 4/1654	15/1.7
2013/0283554	A1 *	10/2013	Saccoccio	A46B 9/02	15/160
2013/0298343	A1 *	11/2013	Saccoccio	E04H 4/1609	15/160
2014/0123422	A1 *	5/2014	Boyd	E04H 4/1609	15/160
2014/0298601	A1 *	10/2014	Winkler	B08B 3/024	15/1.7
2014/0366297	A1 *	12/2014	Shlomi-Shlomi	E04H 4/16	15/160

* cited by examiner

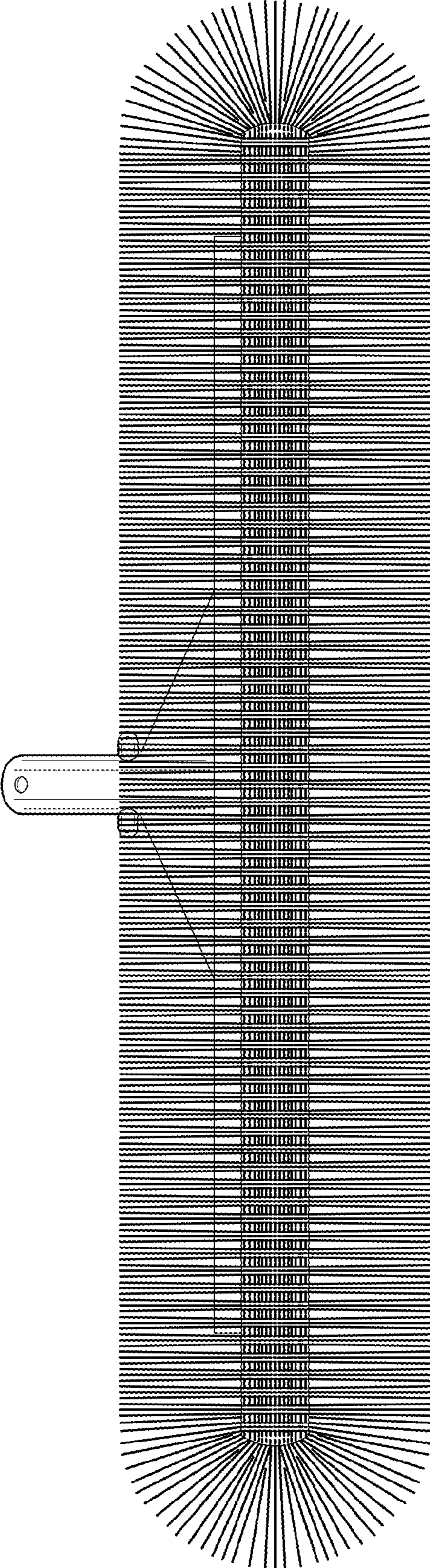


FIG. 1

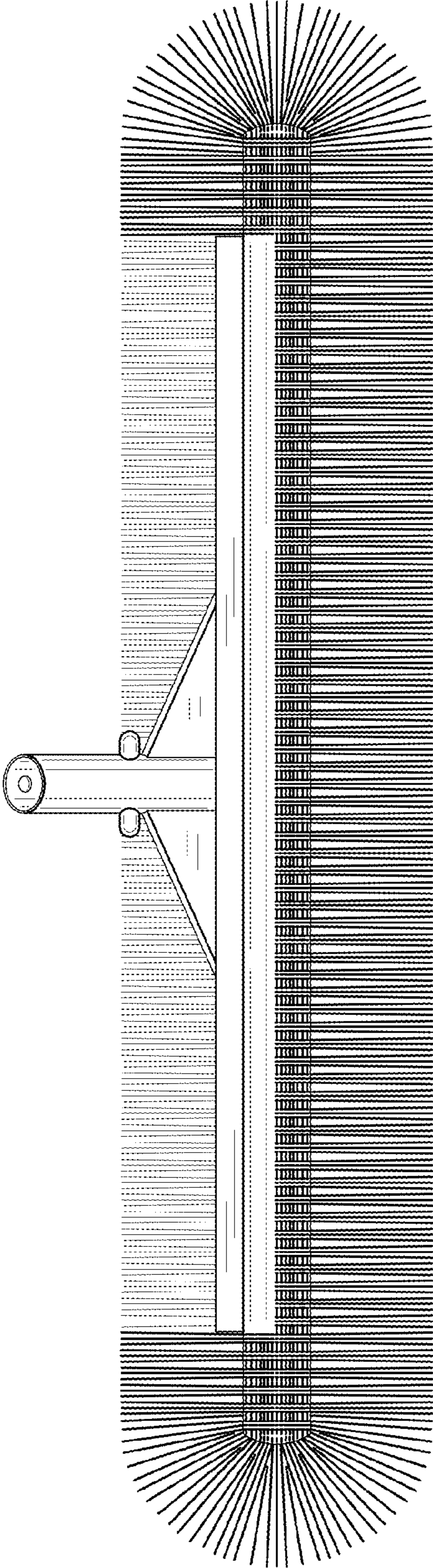


FIG. 2

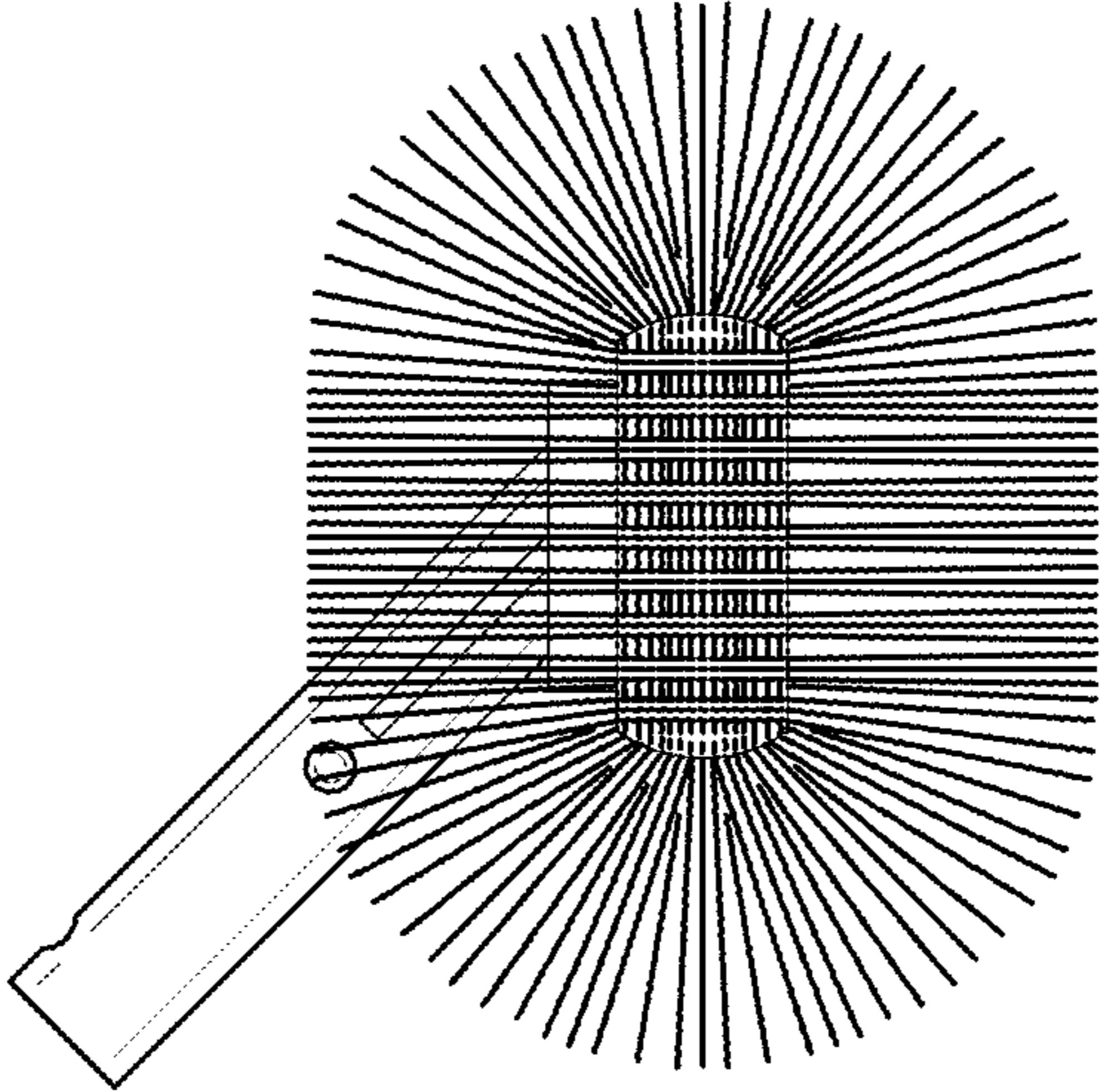


FIG. 3

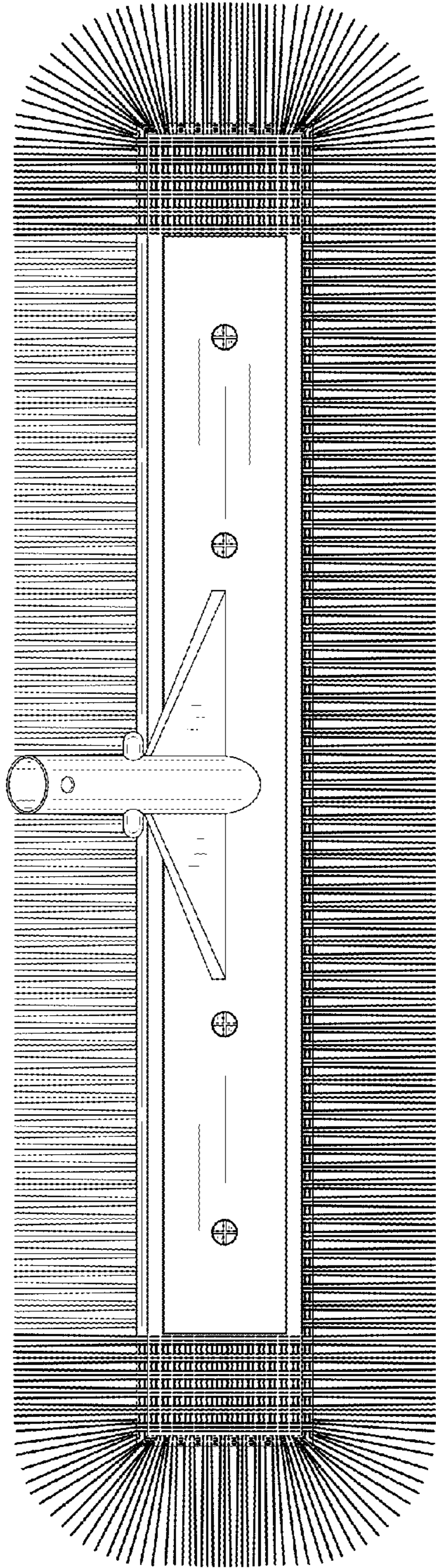


FIG. 4

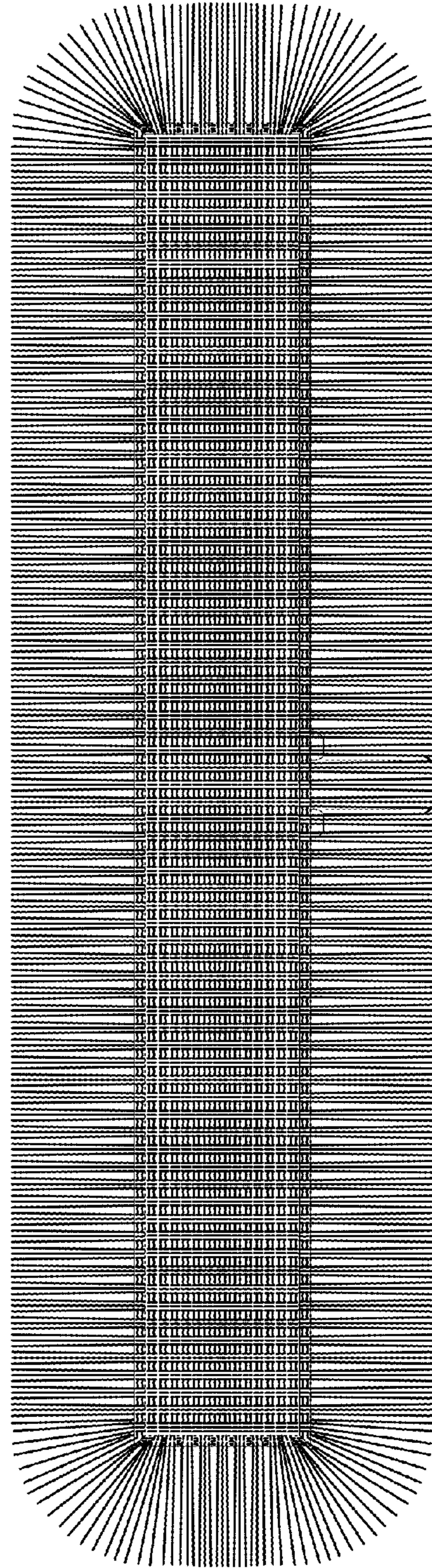


FIG. 5