



US00D757443S

(12) **United States Design Patent**
Waitesmith

(10) **Patent No.:** **US D757,443 S**
(45) **Date of Patent:** **** May 31, 2016**

- (54) **COSMETIC BRUSH**
- (71) Applicant: **Artis LLC**, Jersey City, NJ (US)
- (72) Inventor: **Matthew Waitesmith**, Jersey City, NJ (US)
- (73) Assignee: **ARTIS LLC**, Jersey City, NJ (US)
- (**) Term: **15 Years**
- (21) Appl. No.: **29/531,664**
- (22) Filed: **Jun. 29, 2015**
- (51) **LOC (10) Cl.** **04-02**
- (52) **U.S. Cl.**
USPC **D4/127**
- (58) **Field of Classification Search**
USPC D4/100, 102, 127-135, 138, 199;
D7/393; D8/47, 75, 82, 83, 107, 300,
D8/307-313; D9/723-729; D19/100, 108,
D19/115, 125; D24/200, 211, 214
CPC A46B 5/00; A46B 5/02; A46B 5/021;
A46B 9/00; A46B 9/02; A46B 9/021; A46B
9/023; A46B 9/025; A46B 9/026; A46B
9/028; A46B 11/00; A46B 11/0006; A46B
11/001; A46B 13/00; A46B 13/001; A46B
13/02; A46B 13/023; A46B 15/0002; A46B
2200/10; A46B 2200/102; A46B 2200/1033;
A46B 2200/104; A46B 2200/1046; A46B
2200/30; A46B 2200/3006; A46B 2200/3013;
A46B 2200/3033; A46B 2200/3093
See application file for complete search history.

(56) **References Cited**
U.S. PATENT DOCUMENTS

- D279,126 S * 6/1985 Kaeser D24/211
- D437,690 S * 2/2001 Stevenson D4/127
- D484,314 S * 12/2003 DiGioia D4/115
- D490,614 S * 6/2004 Katz D28/63

- D591,953 S * 5/2009 Krus D4/127
- D599,114 S * 9/2009 Hinnant D4/114
- D631,667 S * 2/2011 Lin D4/132
- D648,435 S * 11/2011 Brodbeck D24/146
- D671,226 S * 11/2012 Aulwes D24/215
- D681,959 S * 5/2013 Myoung D4/127
- D703,825 S * 4/2014 Barrett D24/200
- 8,925,135 B1 * 1/2015 Makar A46B 15/0097
132/320
- 2012/0036665 A1 * 2/2012 Cho A46B 9/026
15/167.1

OTHER PUBLICATIONS

MAC Master Class Brush Collection, posted by Isabella Muse [online], posted on Nov. 5, 2013, [retrieved on Mar. 14, 2016]. Available from the Internet, <URL: <http://www.musingsofamuse.com/2013/11/mac-masterclass-brush-collection.html>>.*

Artis Fluenta Brushes, posted at My Brush Betty [online], posted on Apr. 13, 2015, [retrieved on Mar. 14, 2016]. Available from the Internet, <URL: <http://mybrushbetty.com/artisfluenta/>>.*

* cited by examiner

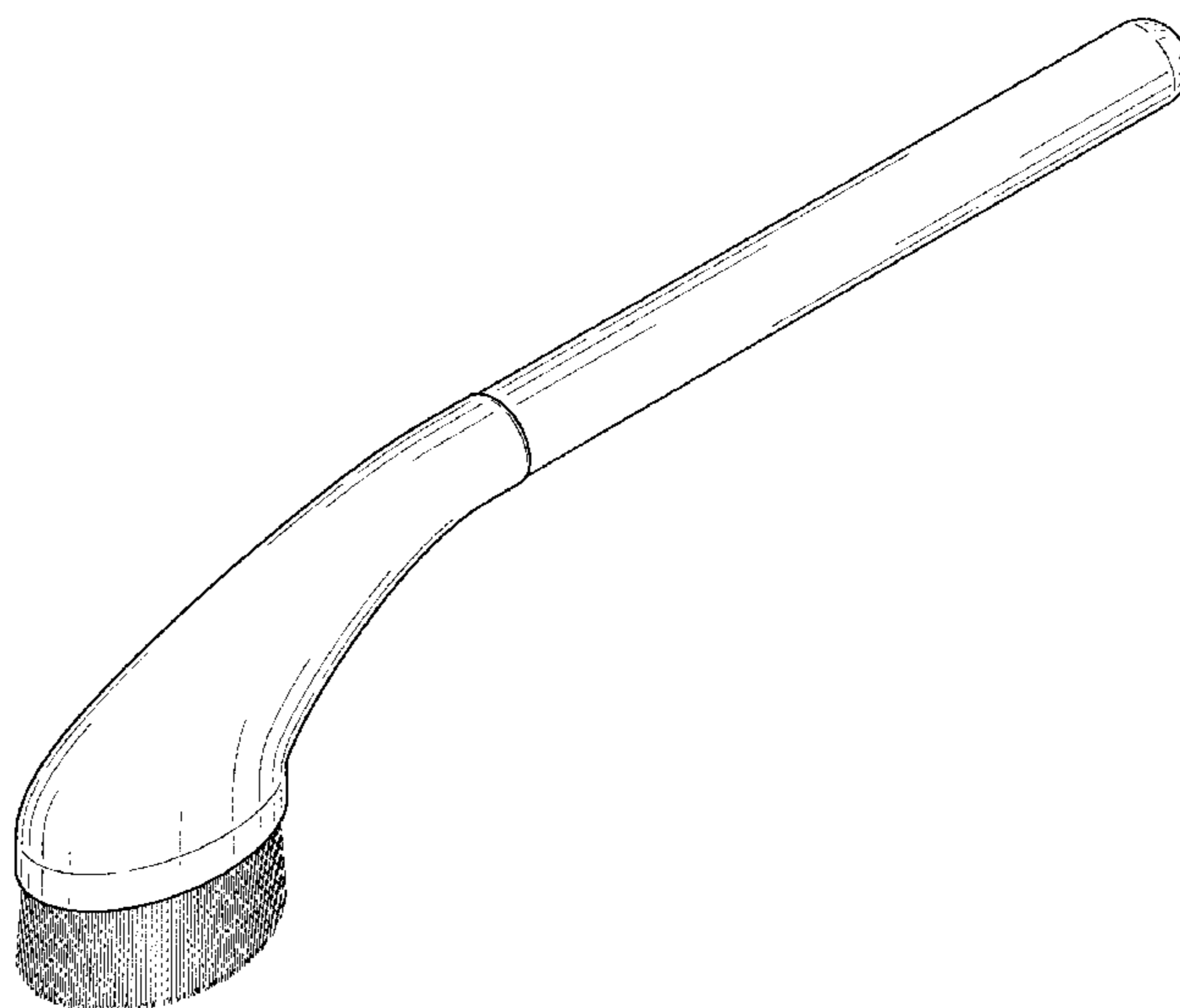
Primary Examiner — Catheri Oliver-Garcia
Assistant Examiner — Rebekah Caruso
 (74) *Attorney, Agent, or Firm* — Cozen O'Connor

(57) **CLAIM**
The ornamental design for a cosmetic brush, as shown and described.

DESCRIPTION

FIG. 1 is a top perspective view of a cosmetic brush showing my new design;
 FIG. 2 is a side view thereof;
 FIG. 3 is an opposite side view thereof;
 FIG. 4 is a rear view thereof;
 FIG. 5 is a front view thereof;
 FIG. 6 is a top view thereof; and,
 FIG. 7 is a bottom view thereof.

1 Claim, 4 Drawing Sheets



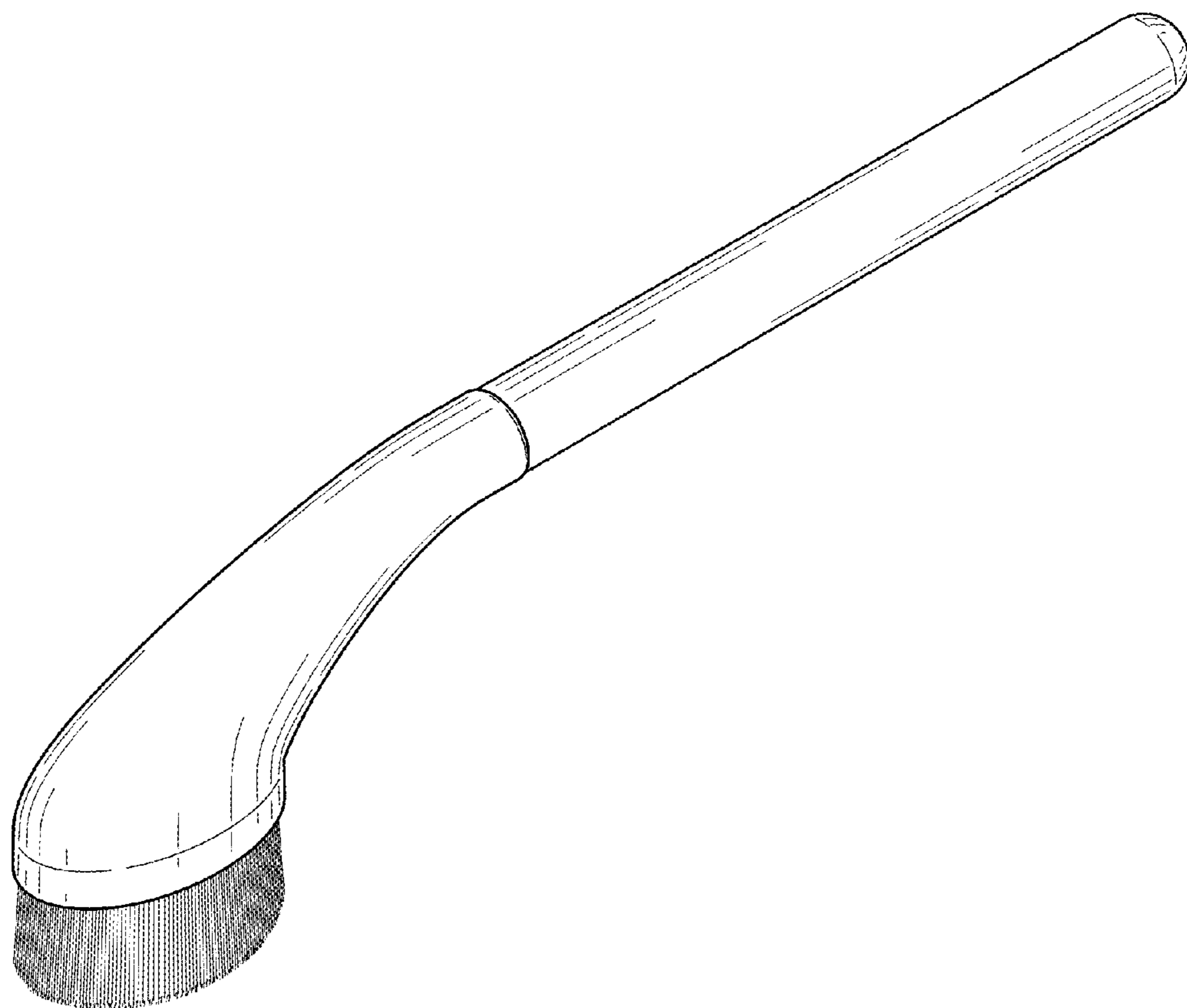


FIG. 1

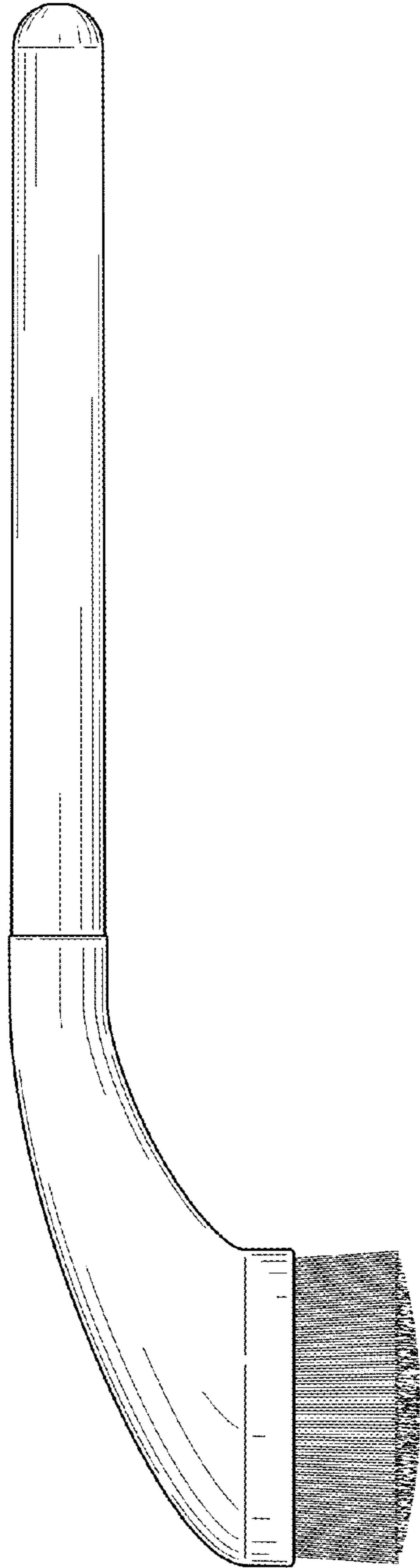


FIG. 2

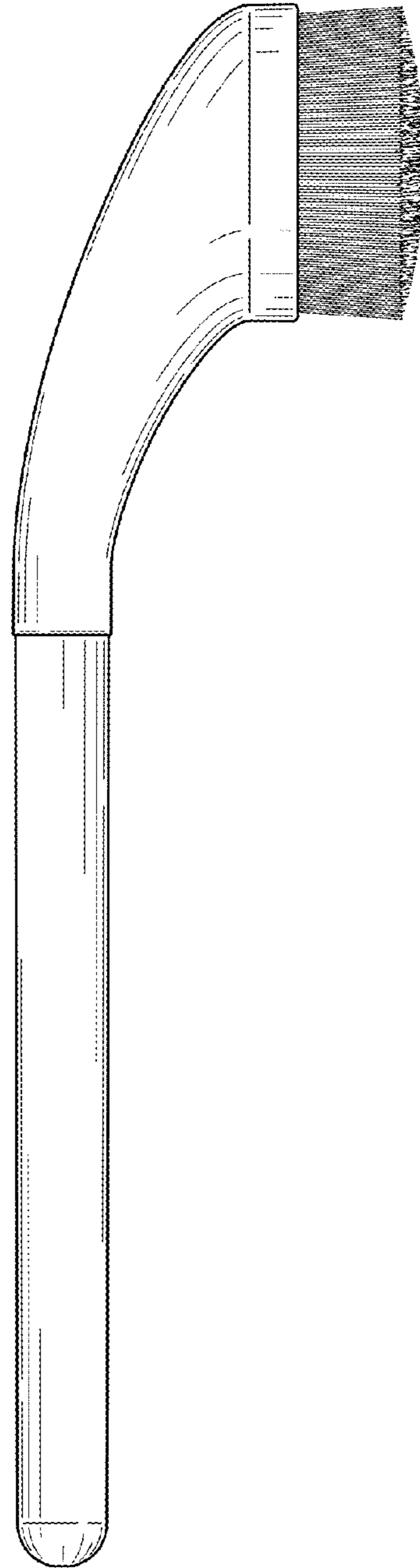


FIG. 3

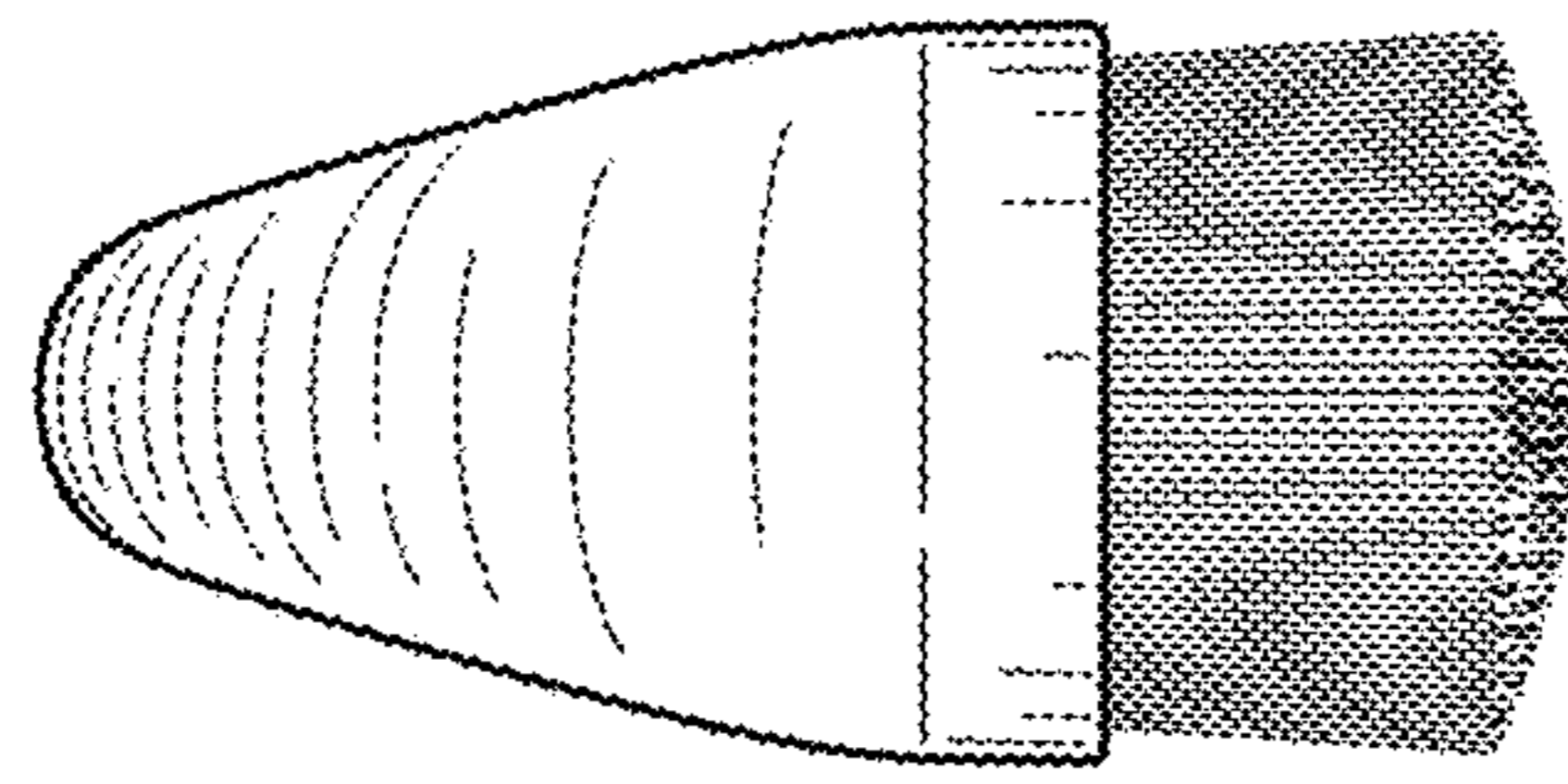


FIG. 5

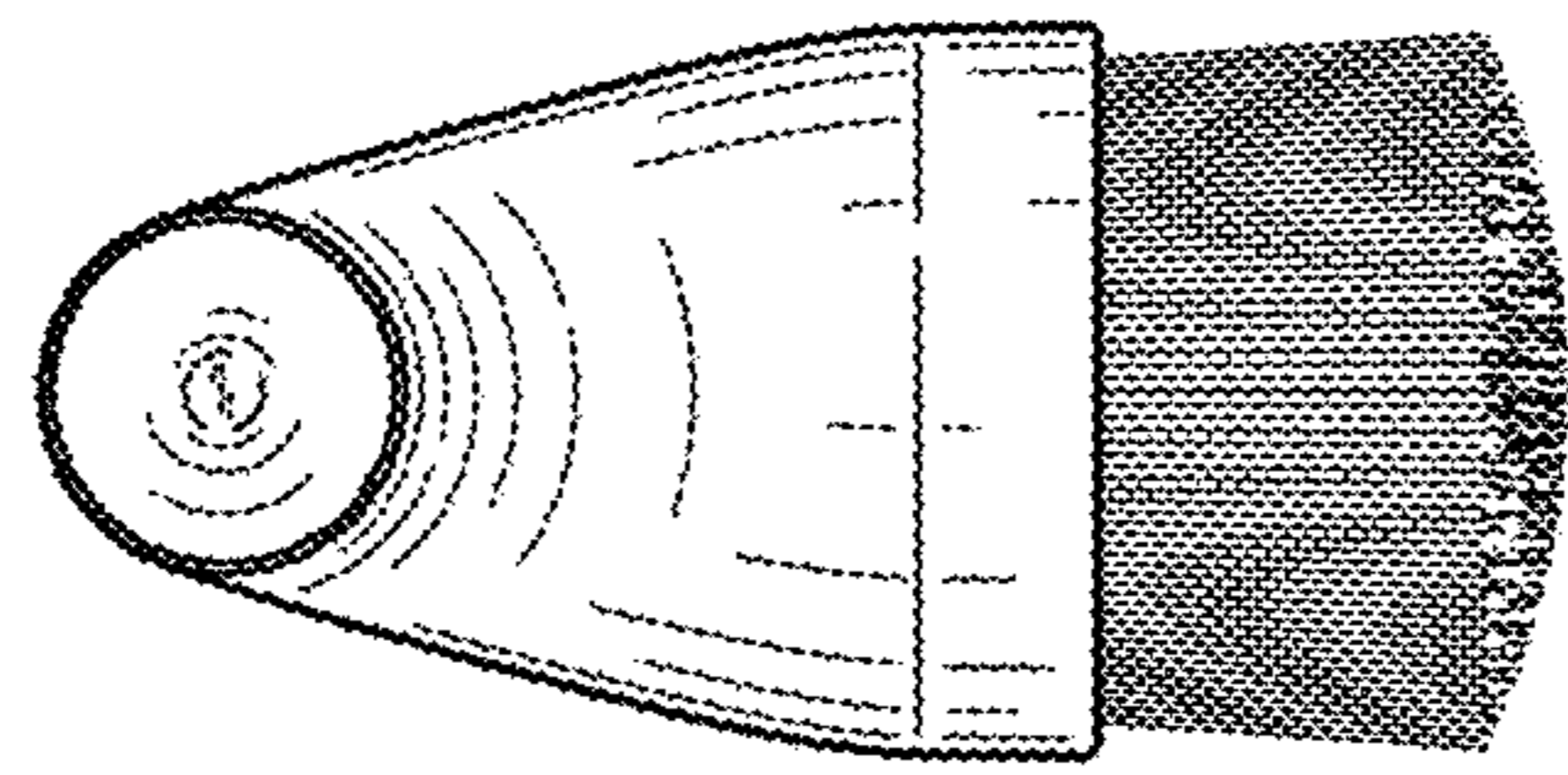


FIG. 4

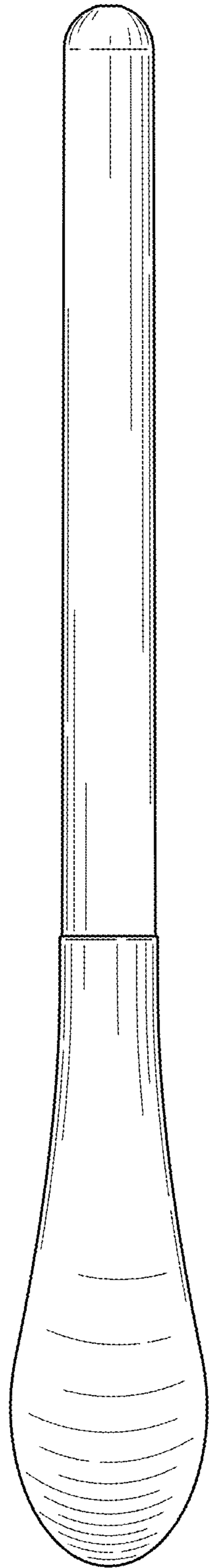


FIG. 6

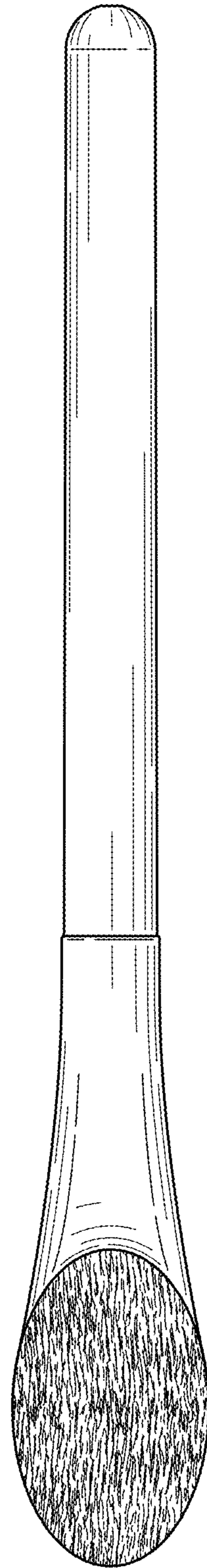


FIG. 7