



US00D757435S

(12) **United States Design Patent**
Damberg

(10) **Patent No.:** **US D757,435 S**

(45) **Date of Patent:** **** May 31, 2016**

(54) **TOOL CASE**

(71) Applicant: **Peter-Thomas Damberg**, Nykobing
Falster (DK)

(72) Inventor: **Peter-Thomas Damberg**, Nykobing
Falster (DK)

(73) Assignee: **raaco A/S** (DK)

(**) Term: **14 Years**

(21) Appl. No.: **29/514,284**

(22) Filed: **Jan. 9, 2015**

(30) **Foreign Application Priority Data**

Jul. 9, 2014 (WO) 825333801

(51) **LOC (10) Cl.** **03-01**

(52) **U.S. Cl.**
USPC **D3/284; D3/905; D3/294; D3/295**

(58) **Field of Classification Search**
USPC D3/272, 273, 276, 279, 281, 282, 283,
D3/284, 294, 295, 296, 302, 905
CPC . B25H 3/02-3/028; B25H 3/00; B25H 3/003;
B25H 3/006

See application file for complete search history.

(56) **References Cited**

U.S. PATENT DOCUMENTS

- 4,743,038 A * 5/1988 Myers A45C 5/00
190/18 A
- 5,915,553 A * 6/1999 Brown B25H 3/022
206/372
- D429,884 S * 8/2000 Zurwelle D3/276
- D440,401 S * 4/2001 Pauser D3/273
- 6,454,097 B1 * 9/2002 Blanco A45C 3/02
206/459.5
- D523,244 S * 6/2006 Peterson D3/295
- D543,700 S * 6/2007 Parker D14/315
- D616,200 S * 5/2010 Riedel D3/281
- D665,166 S * 8/2012 Khalifa D3/260

- D676,239 S * 2/2013 Benoit D3/294
- 8,459,488 B2 * 6/2013 Pannier, II B65D 25/04
220/23.83
- D703,437 S * 4/2014 Bar-Erez D3/282
- D725,388 S * 3/2015 Cole D3/282
- D738,106 S * 9/2015 Shitrit D3/276
- 2006/0070900 A1 * 4/2006 Brunson B25H 3/023
206/373
- 2014/0231307 A1 * 8/2014 Wen B25H 3/02
206/736

* cited by examiner

Primary Examiner — Jennifer Rivard

Assistant Examiner — April Rivas

(74) *Attorney, Agent, or Firm* — St Onge Steward Johnston
and Reens LLC

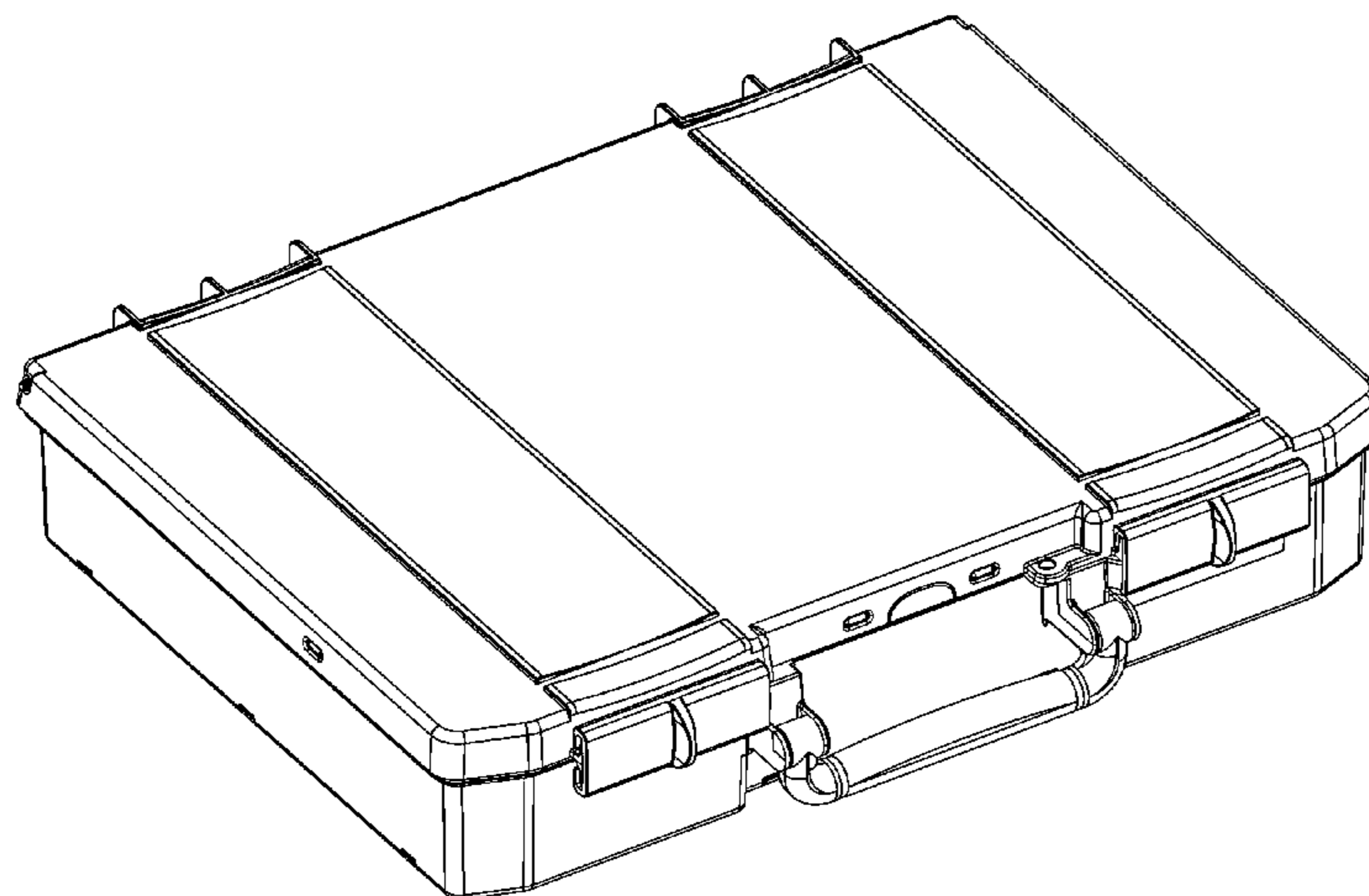
(57) **CLAIM**

The ornamental design for a tool case, as shown and
described.

DESCRIPTION

FIG. 1 is a top, right side and front perspective view of a tool case in accordance with the new design;
 FIG. 2 is a rear, right side and bottom perspective view thereof;
 FIG. 3 is a front elevation view thereof;
 FIG. 4 is a rear elevation view thereof;
 FIG. 5 is a top plan view thereof;
 FIG. 6 is a bottom plan view thereof;
 FIG. 7 is a right side elevation view thereof, the left side elevation view being a mirror image thereof;
 FIG. 8 is a top, right side and front perspective view thereof showing the tool case and an inner tray assembly thereof in an open position;
 FIG. 9 is a bottom, right side and rear perspective view thereof showing the tool case and an inner tray assembly thereof in an open position; and,
 FIG. 10 is a top, right side and front perspective view thereof showing the tool case and an inner tray assembly thereof in an open position.

1 Claim, 10 Drawing Sheets



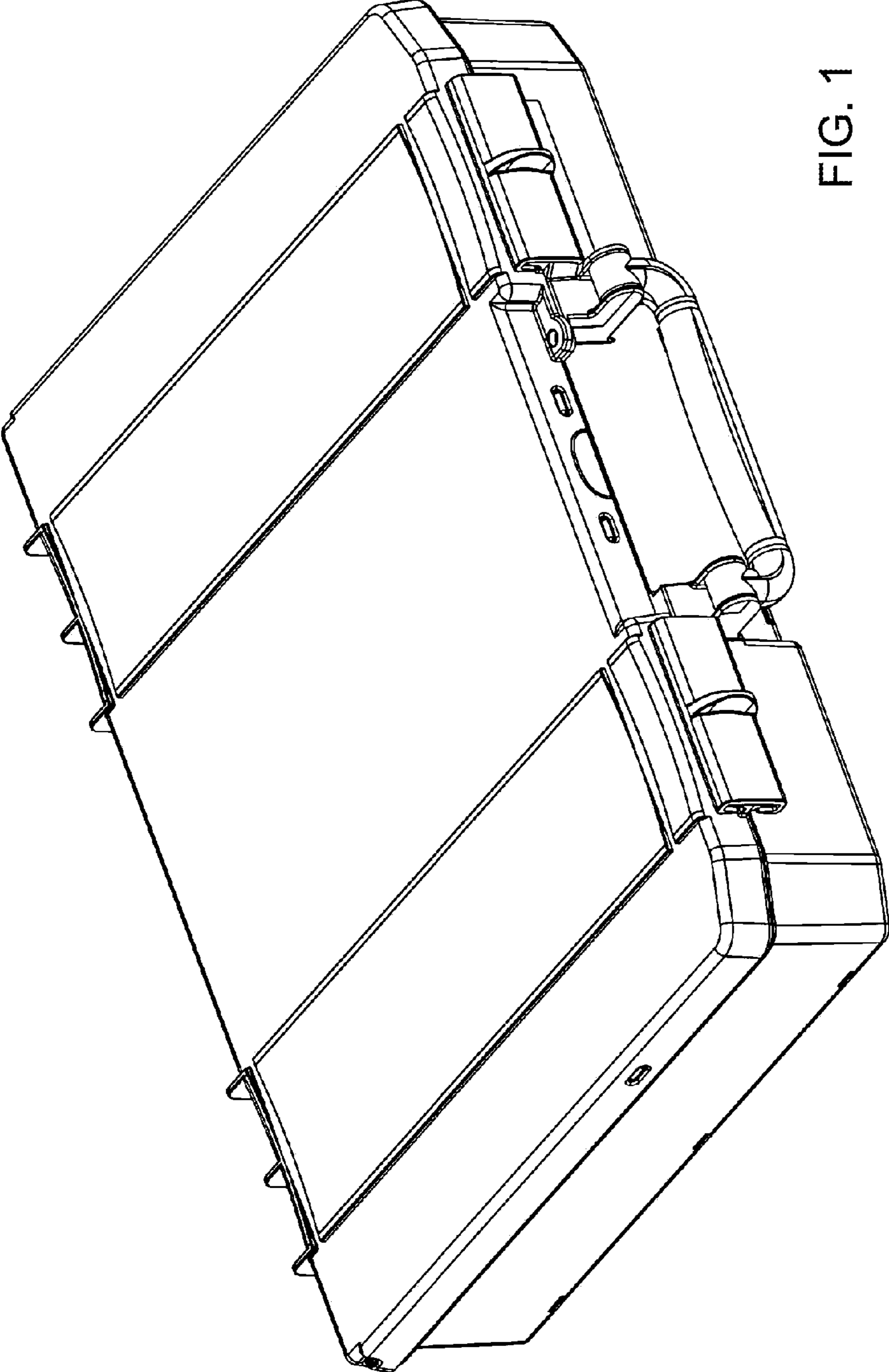


FIG. 1

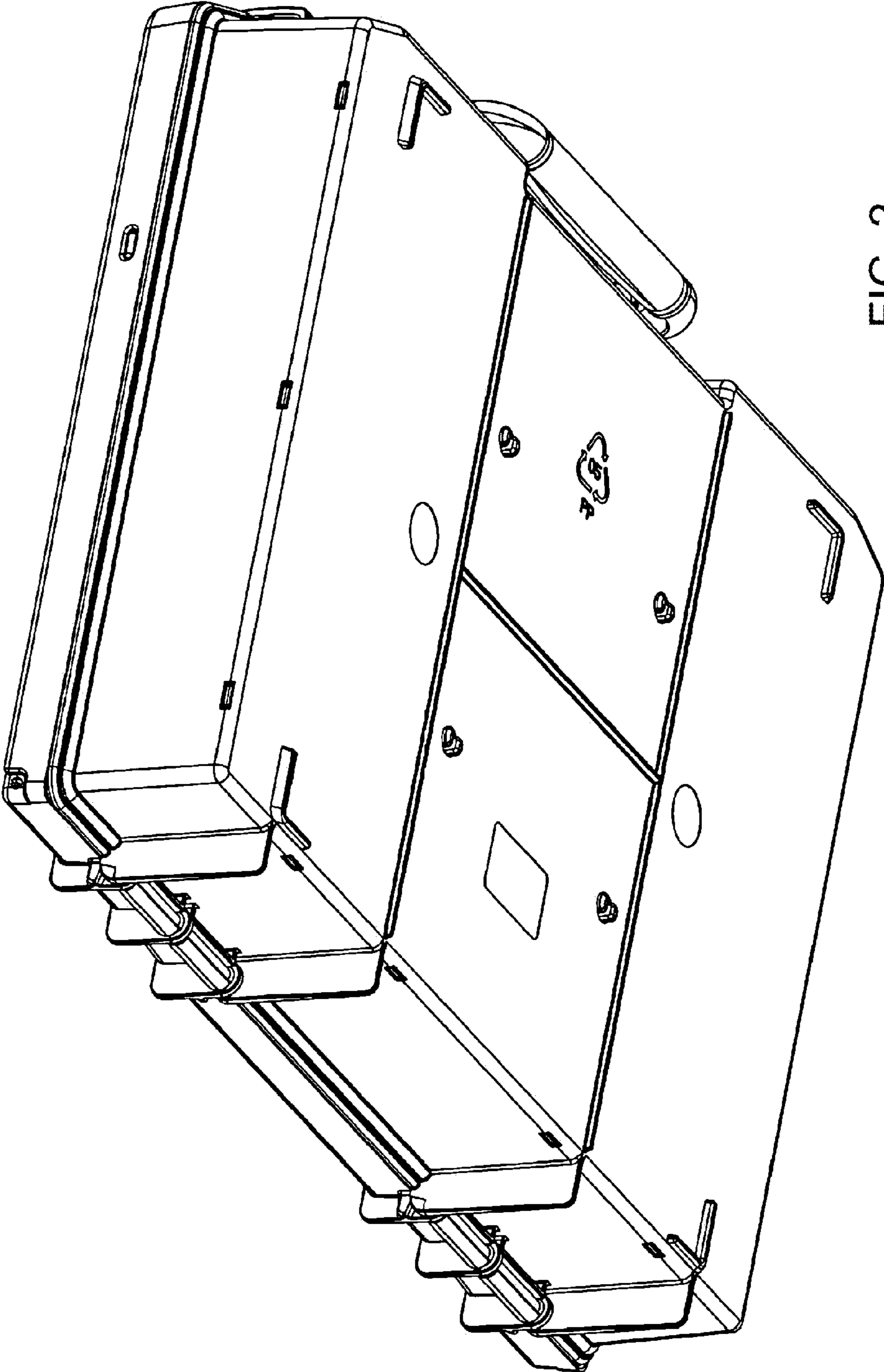


FIG. 2

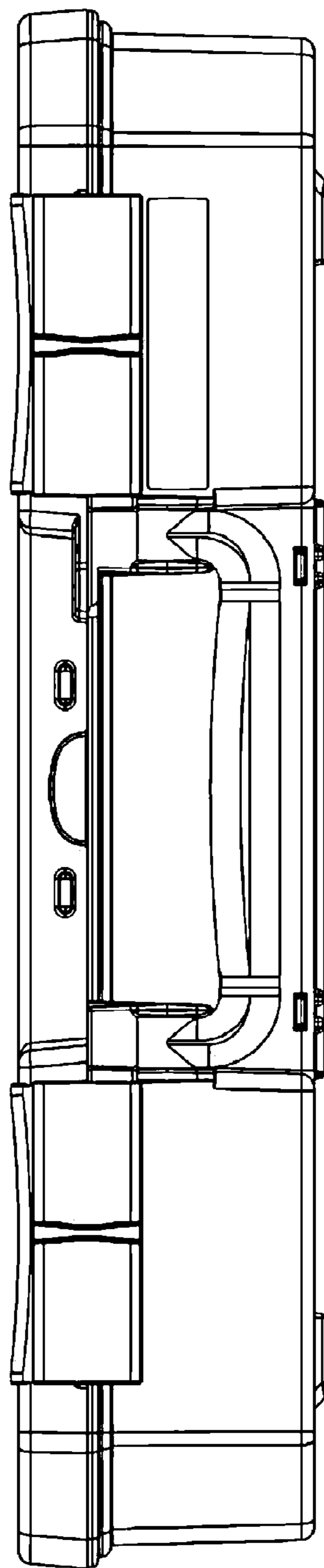


FIG. 3

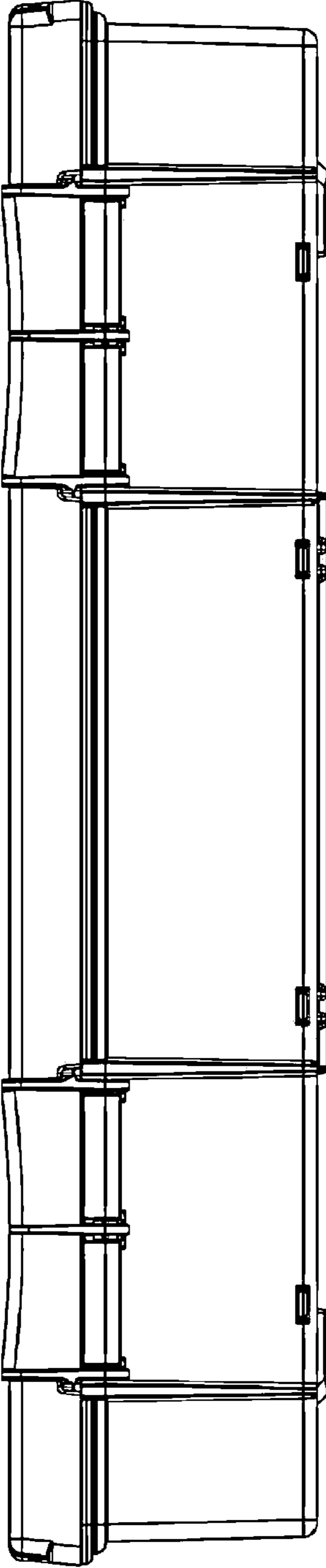


FIG. 4

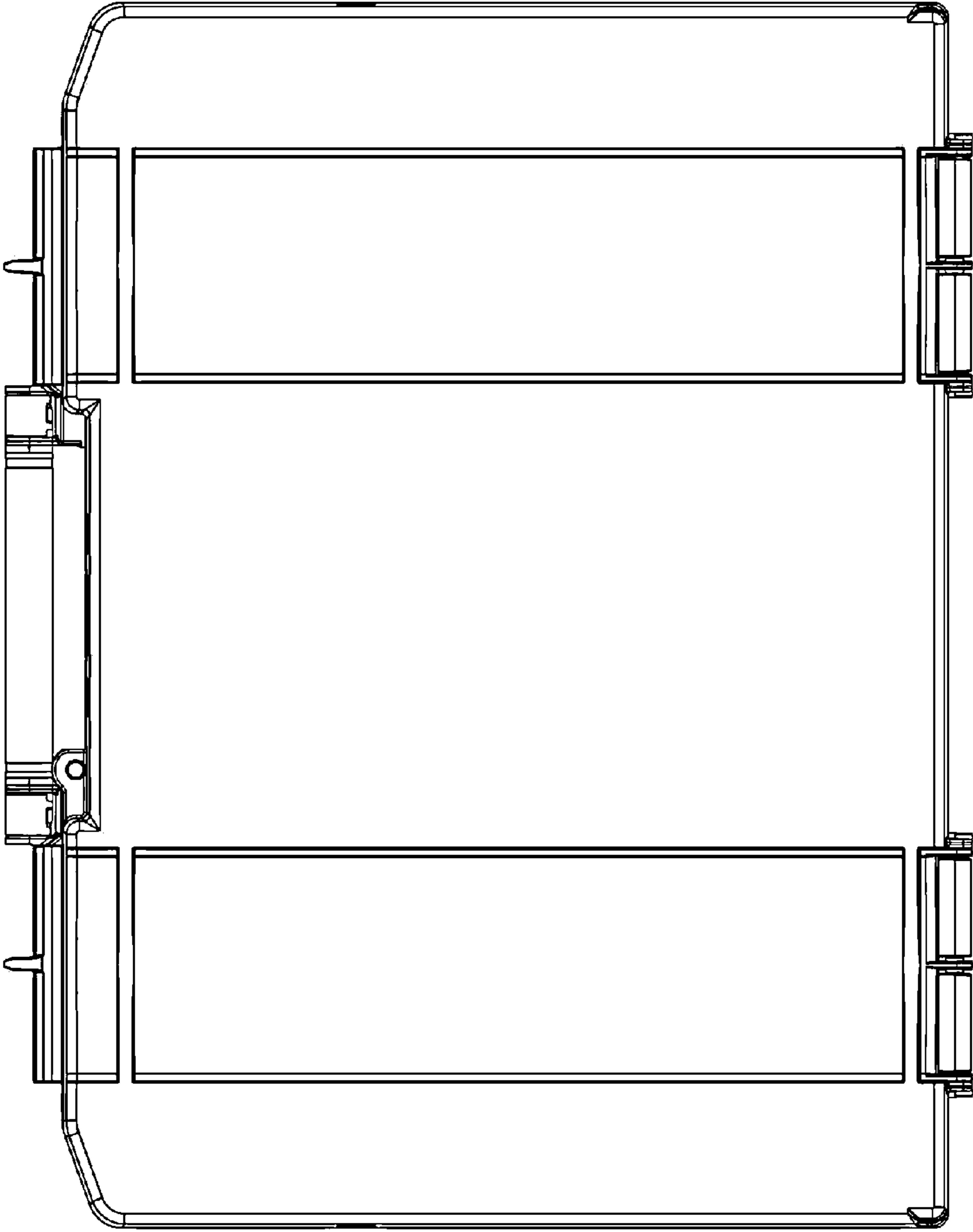


FIG. 5

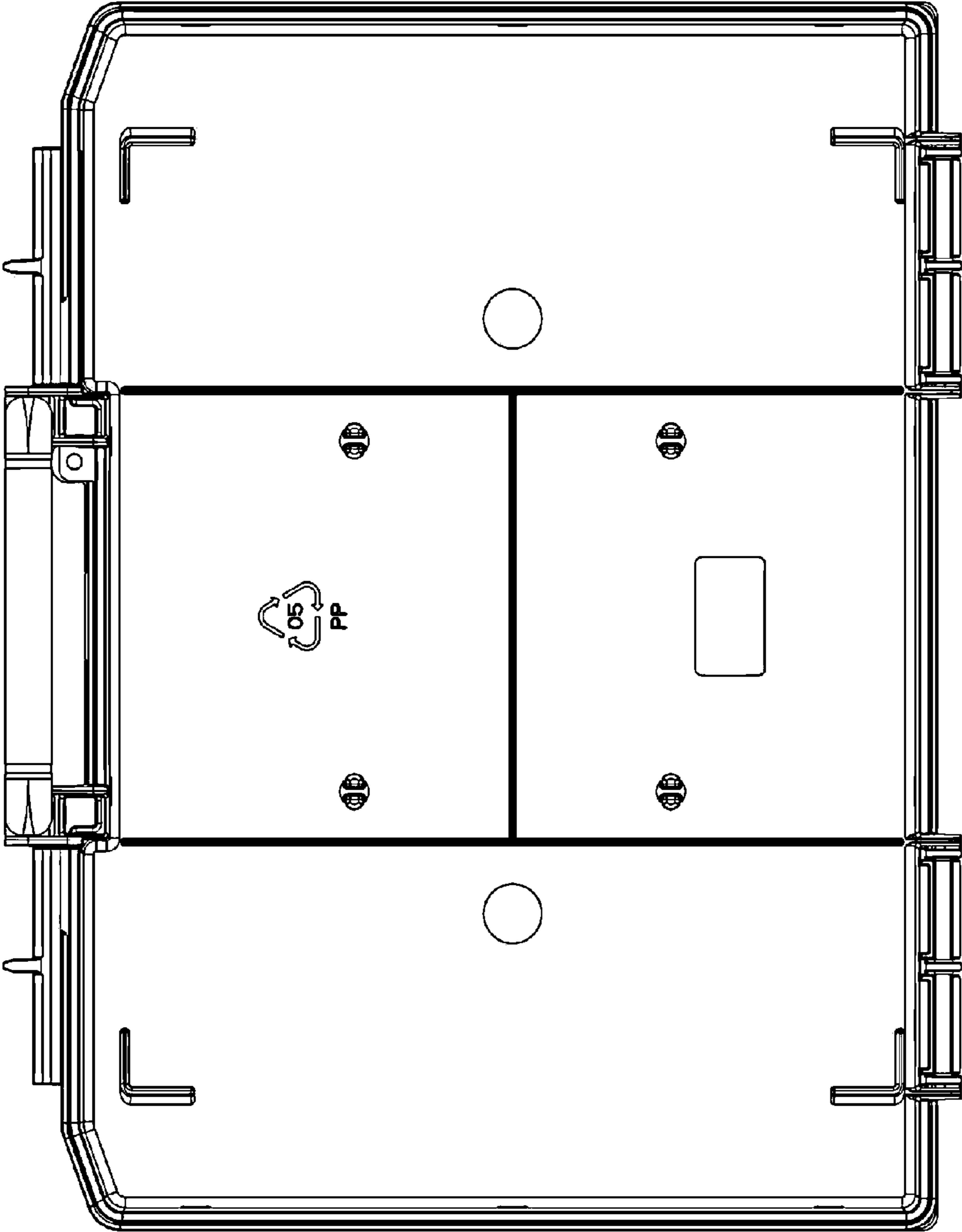


FIG. 6

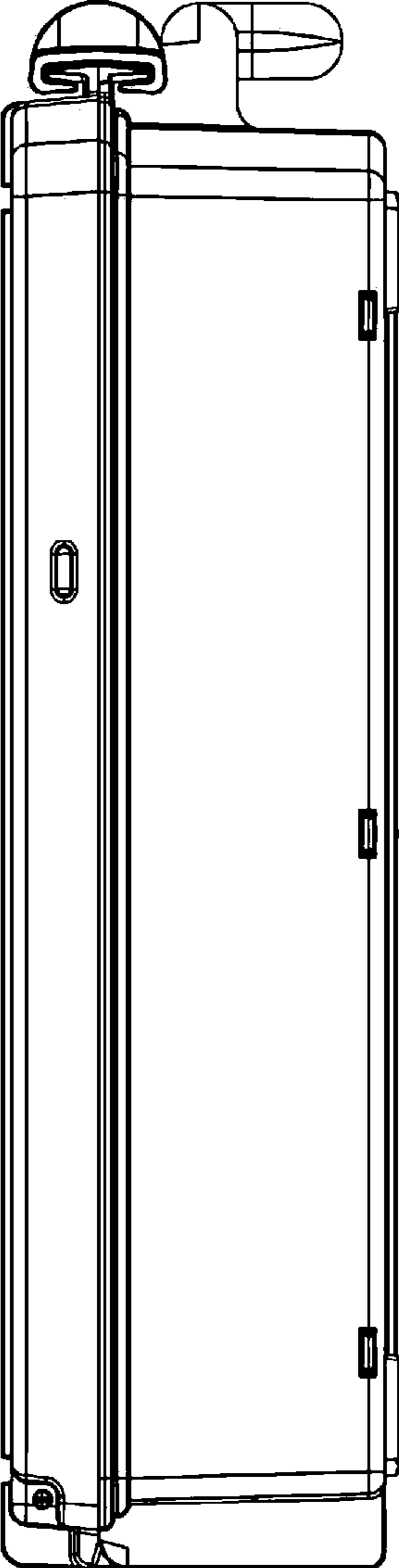


FIG. 7

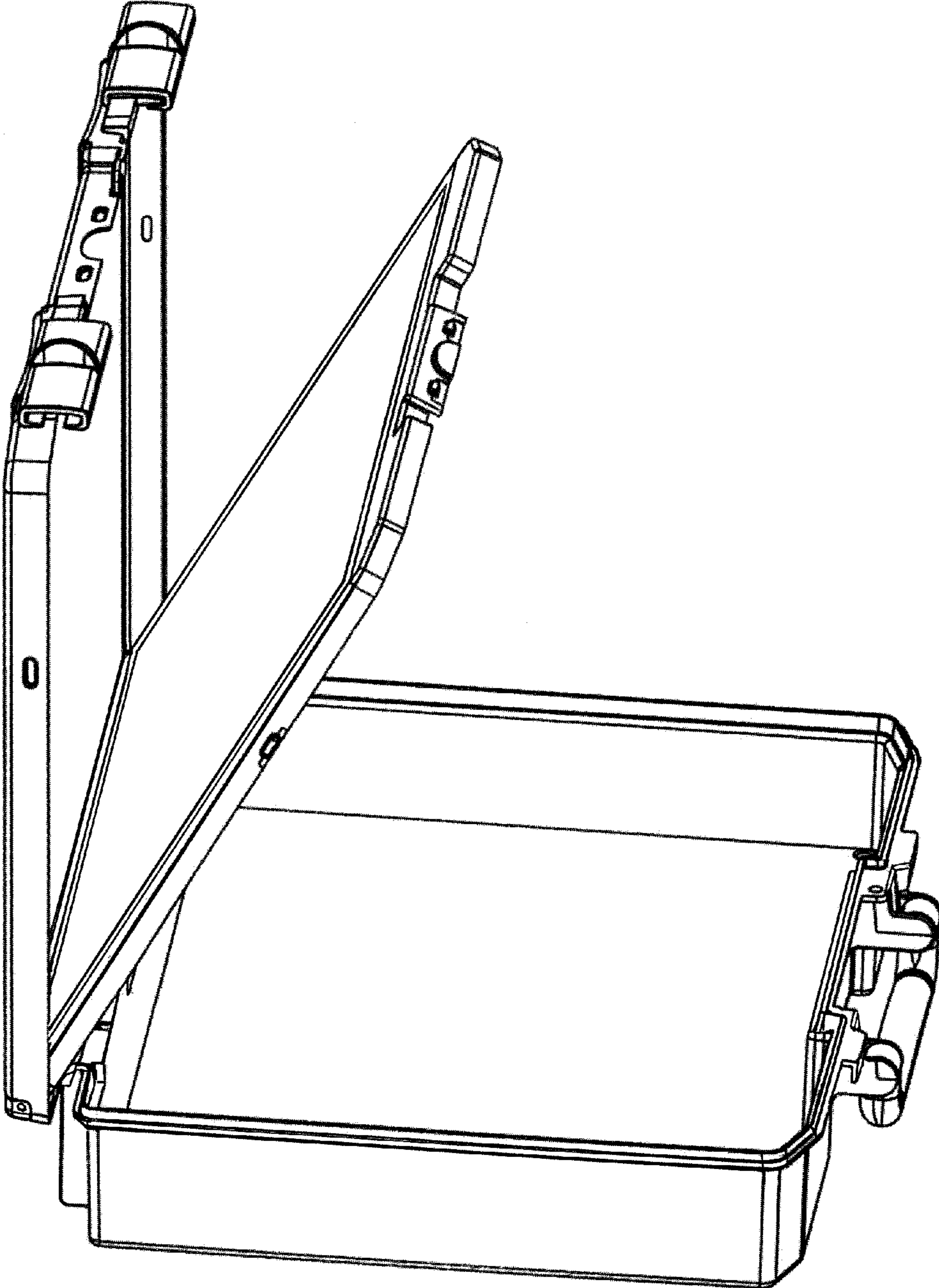


FIG. 8

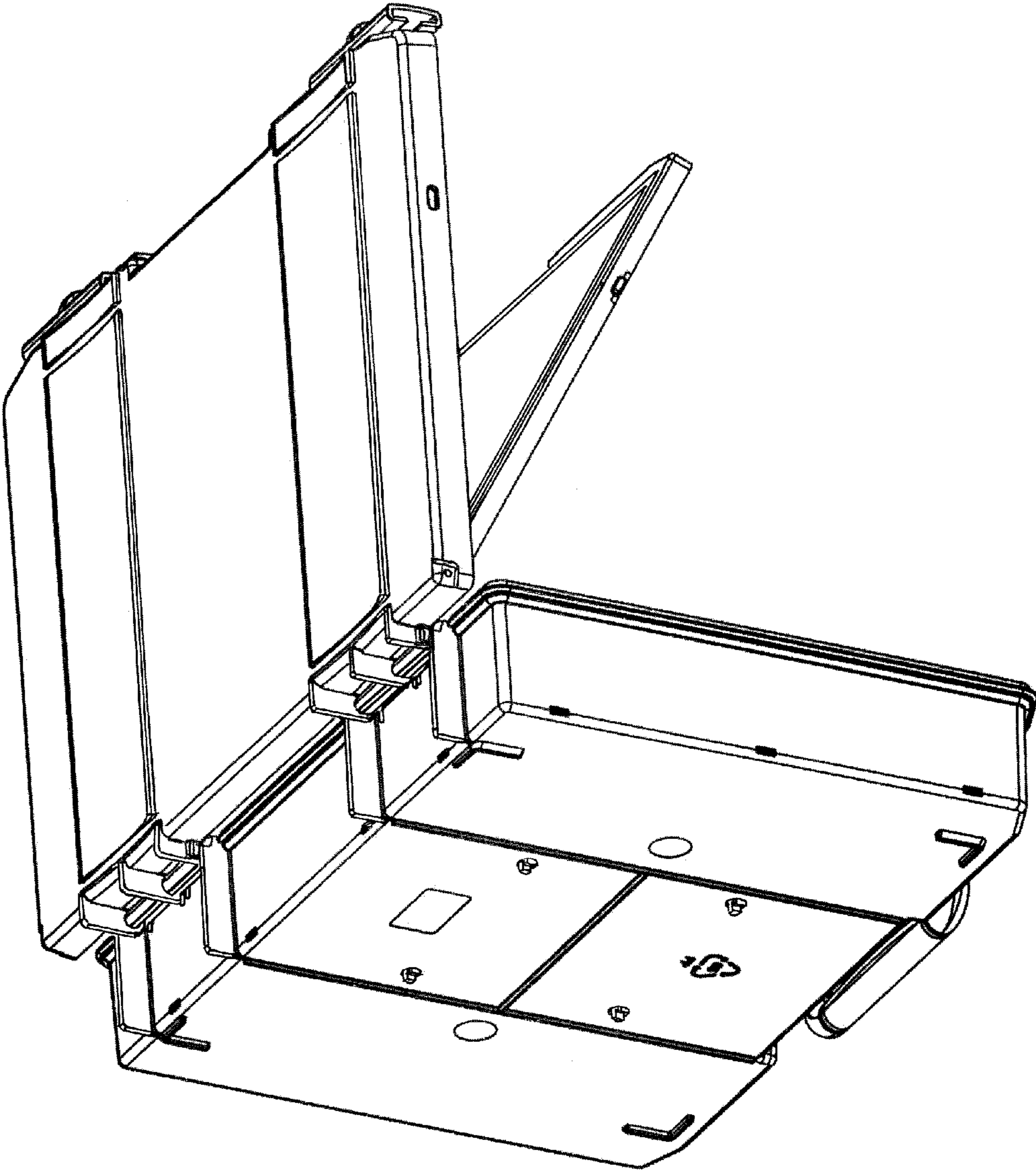


FIG. 9

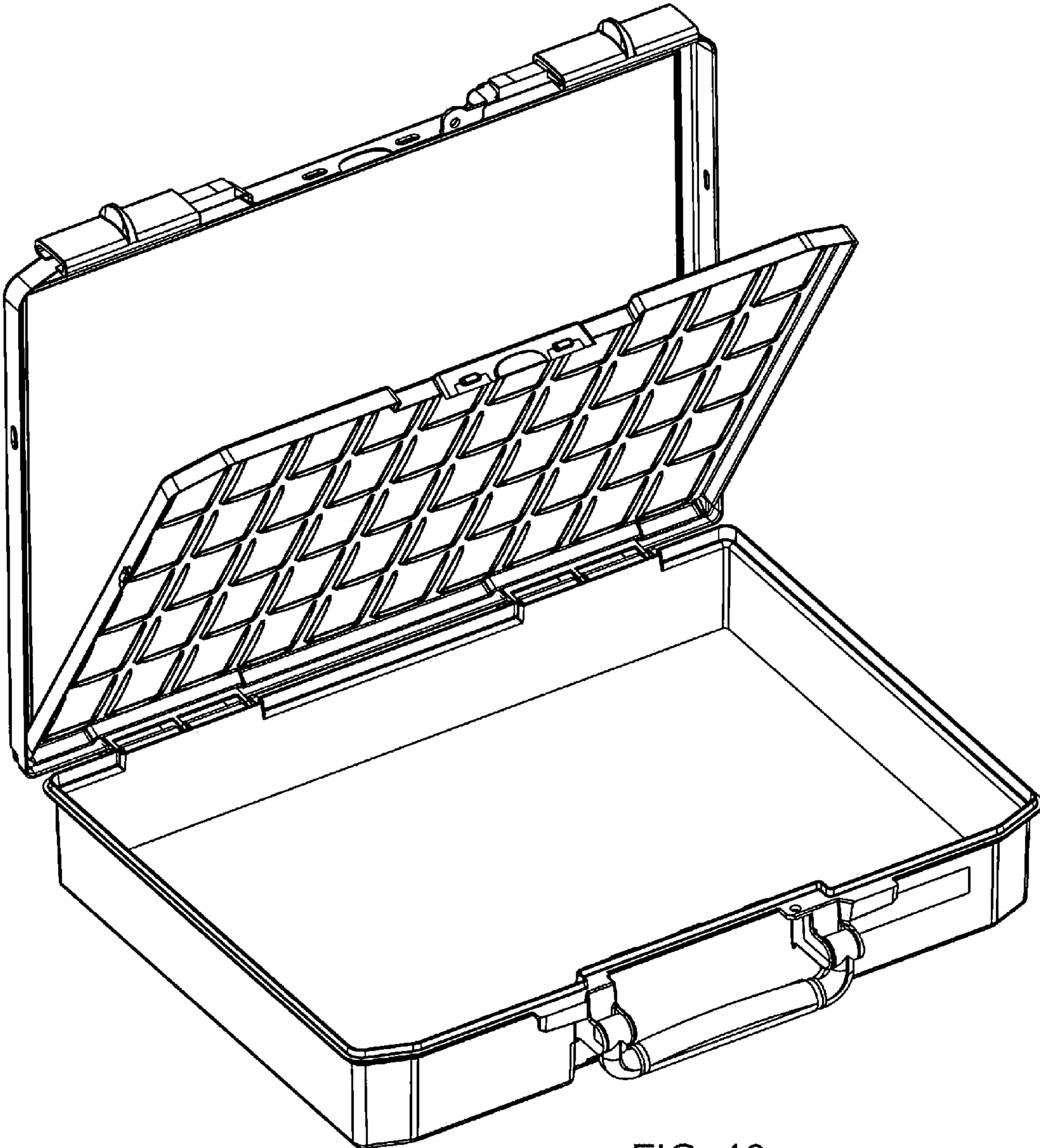


FIG. 10