



US00D757432S

(12) **United States Design Patent**
Hansen

(10) **Patent No.:** **US D757,432 S**

(45) **Date of Patent:** **** May 31, 2016**

(54) **SPORTS BAG**

(71) Applicant: **Radical Fencing LLC**, Glenford, NY
(US)

(72) Inventor: **Mads Hansen**, Glenford, NY (US)

(73) Assignee: **Radical Fencing, LLC**, Glenford, NY
(US)

(**) Term: **14 Years**

(21) Appl. No.: **29/513,971**

(22) Filed: **Jan. 7, 2015**

(51) **LOC (10) Cl.** **03-01**

(52) **U.S. Cl.**
USPC **D3/254**

(58) **Field of Classification Search**
USPC D3/254, 276, 283, 289
CPC .. A45C 7/0095; A45C 3/00; A45C 2003/007;
A45C 5/06; A63B 71/0036; A63B 71/0045
See application file for complete search history.

(56) **References Cited**

U.S. PATENT DOCUMENTS

D231,042 S *	3/1974	Lee	D3/289
D370,560 S *	6/1996	Doerbaum	D3/254
5,588,529 A *	12/1996	Speck	A63B 55/00 150/113
6,446,851 B1 *	9/2002	Parks	A45C 7/0095 190/111
6,561,329 B2 *	5/2003	Stobbs, II	A45C 3/00 190/107

D489,898 S *	5/2004	Oberhelman	D3/254
D501,603 S *	2/2005	Shamas	D3/283
D620,708 S *	8/2010	Sanz	D3/276
8,074,853 B1 *	12/2011	Hirshberg	A45C 3/001 206/315.1
D653,853 S *	2/2012	Ryan	D3/256
D682,548 S *	5/2013	Du	D3/256
2007/0034546 A1 *	2/2007	Vosloo	A45C 11/00 206/579
2007/0164070 A1 *	7/2007	Bevier	A63B 71/0045 224/643

* cited by examiner

Primary Examiner — Mitchell Siegel

(74) *Attorney, Agent, or Firm* — Davidson, Davidson & Kappel, LLC

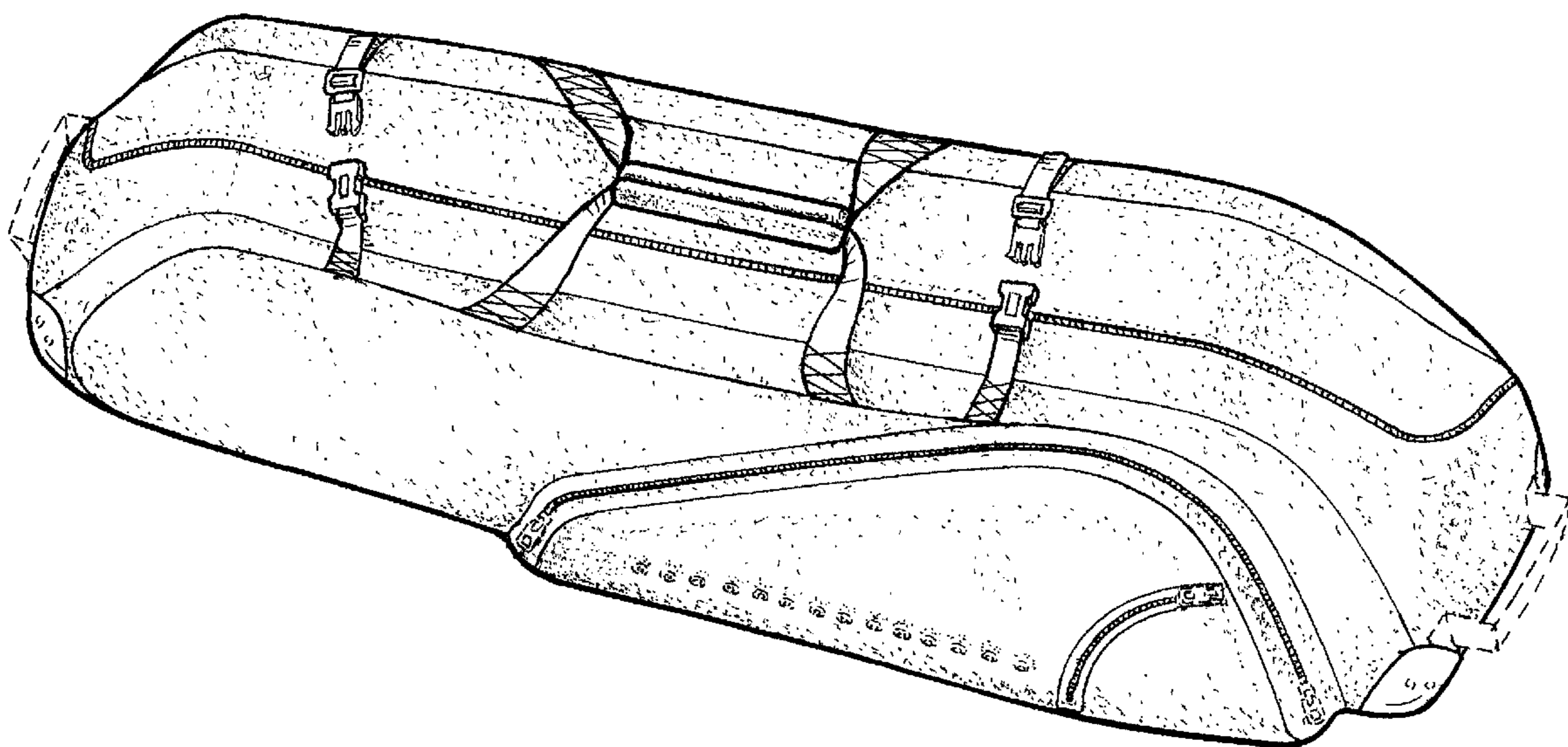
(57) **CLAIM**

The ornamental design for a sports bag, as shown and described.

DESCRIPTION

FIG. 1 is a top, front perspective view of a sports bag according to the design;
FIG. 2 is a top, rear perspective view thereof;
FIG. 3 is a bottom, front perspective view thereof;
FIG. 4 is a front view thereof;
FIG. 5 is a rear view thereof;
FIG. 6 is a top view thereof;
FIG. 7 is a bottom view thereof;
FIG. 8 is a left side view thereof; and,
FIG. 9 is a right side view thereof.
The broken lines are for illustrative purposes only and form no part of the claimed design.

1 Claim, 8 Drawing Sheets



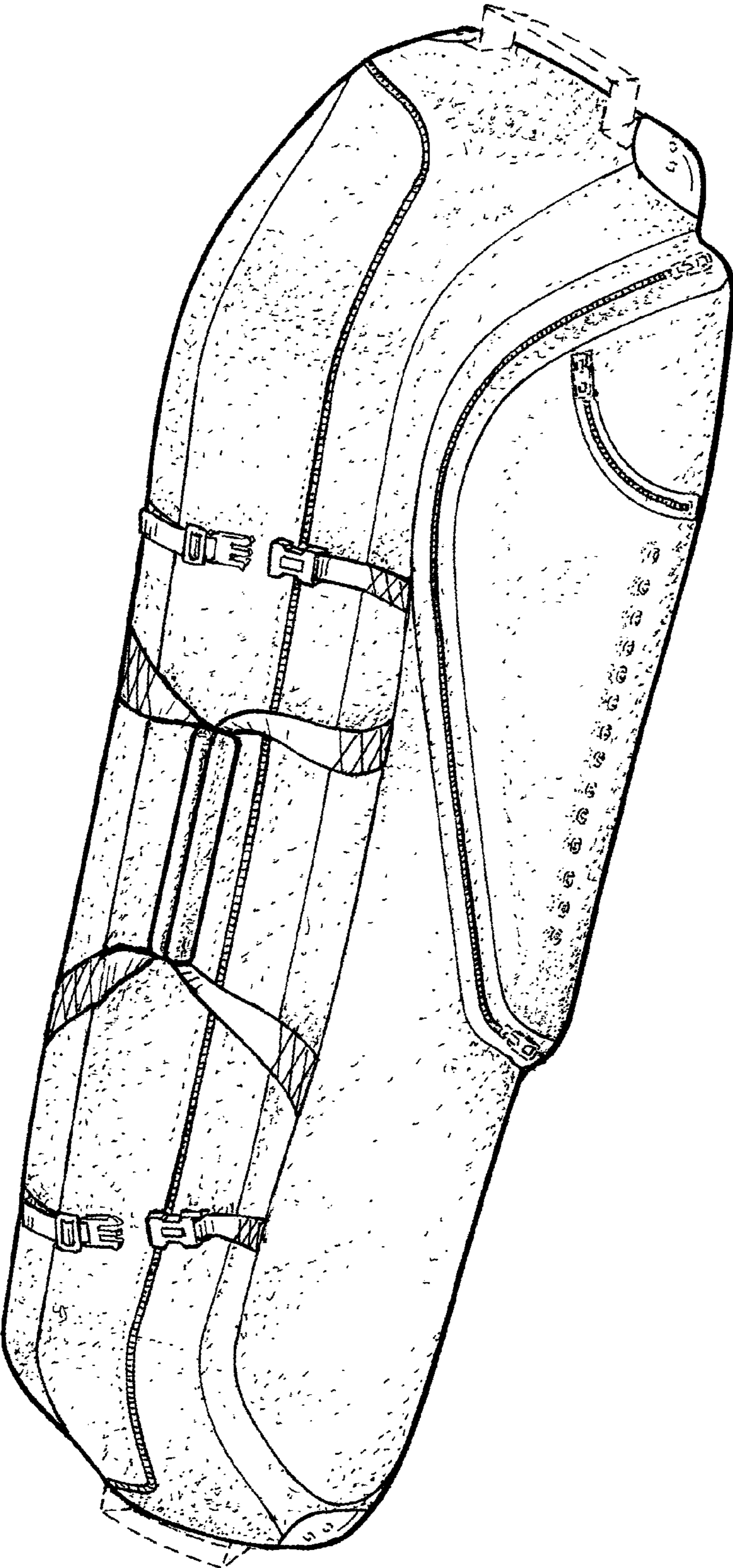


FIG. 1

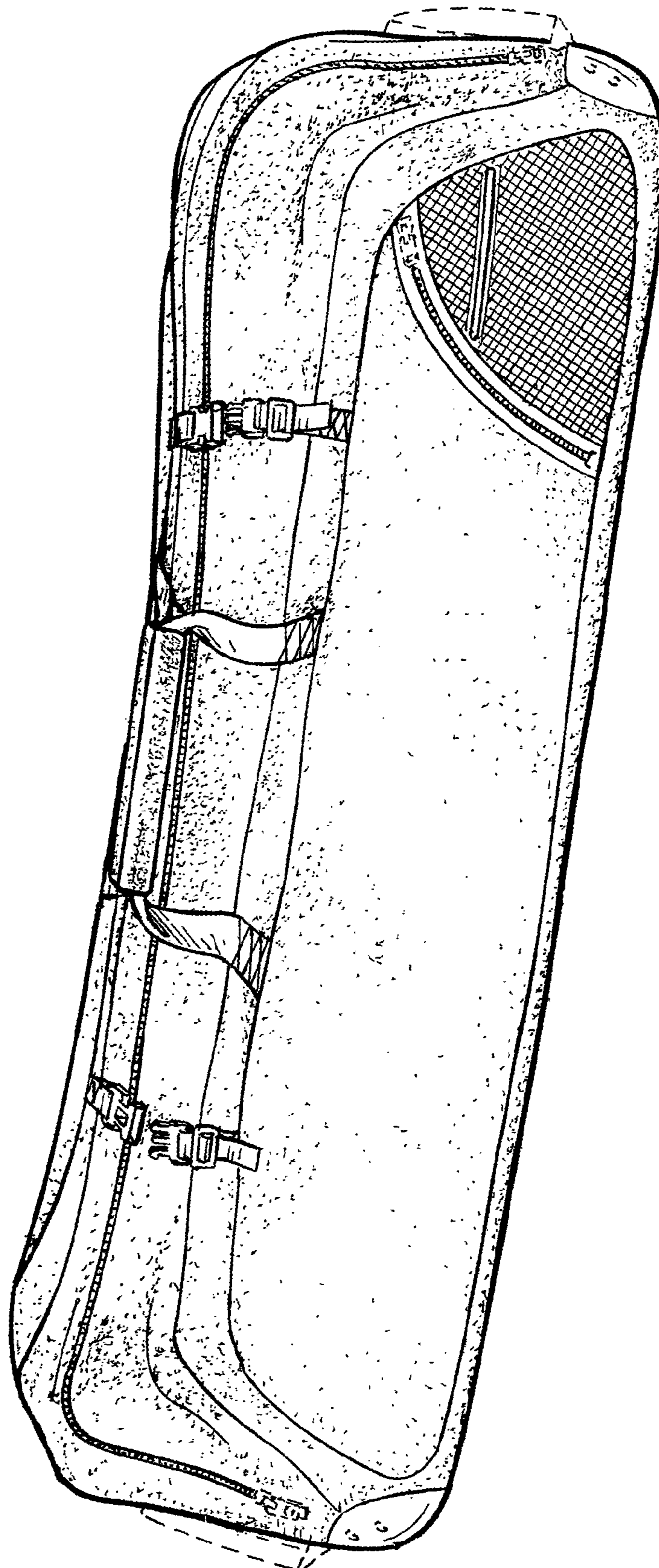


FIG. 2

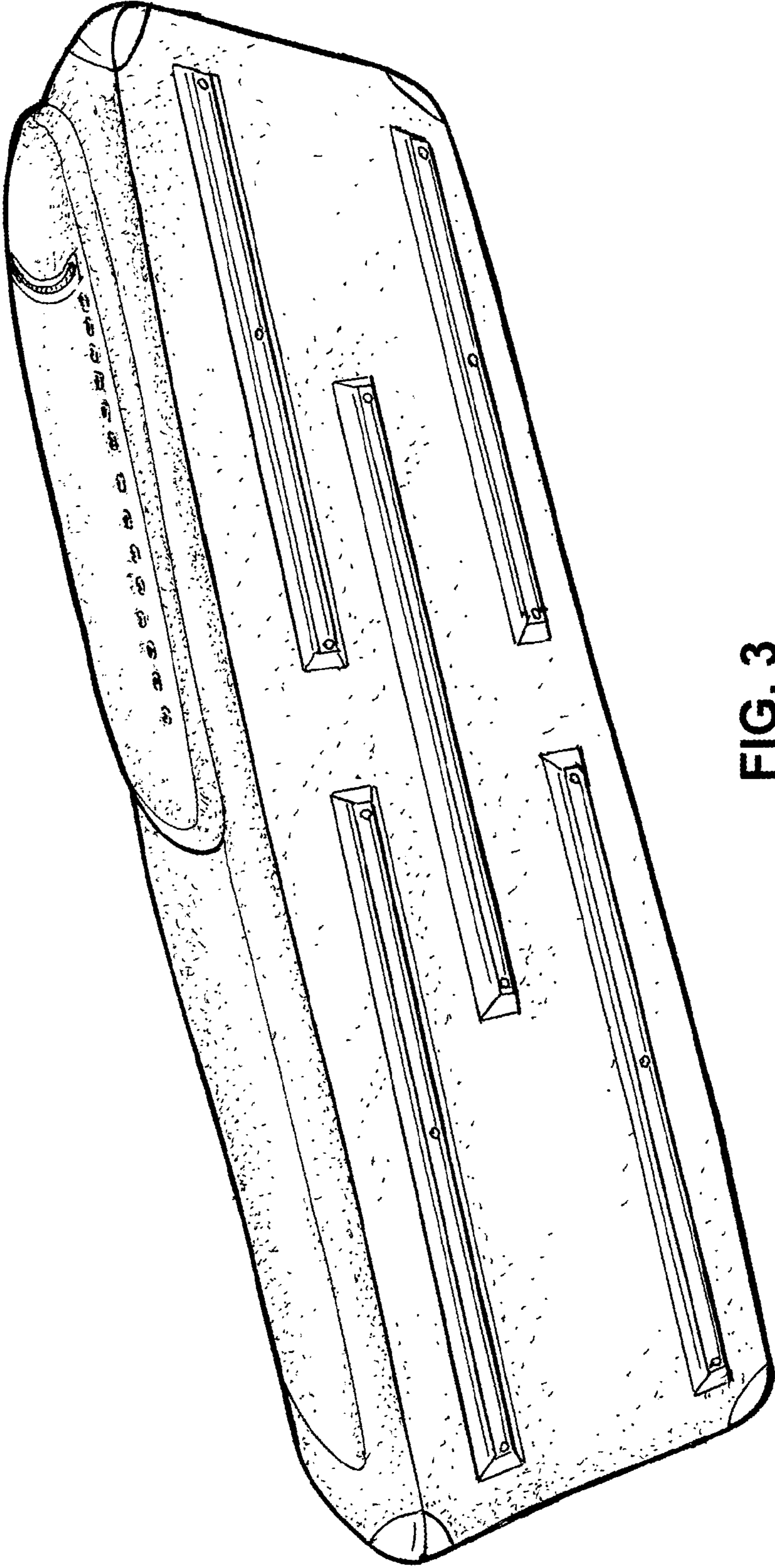


FIG. 3

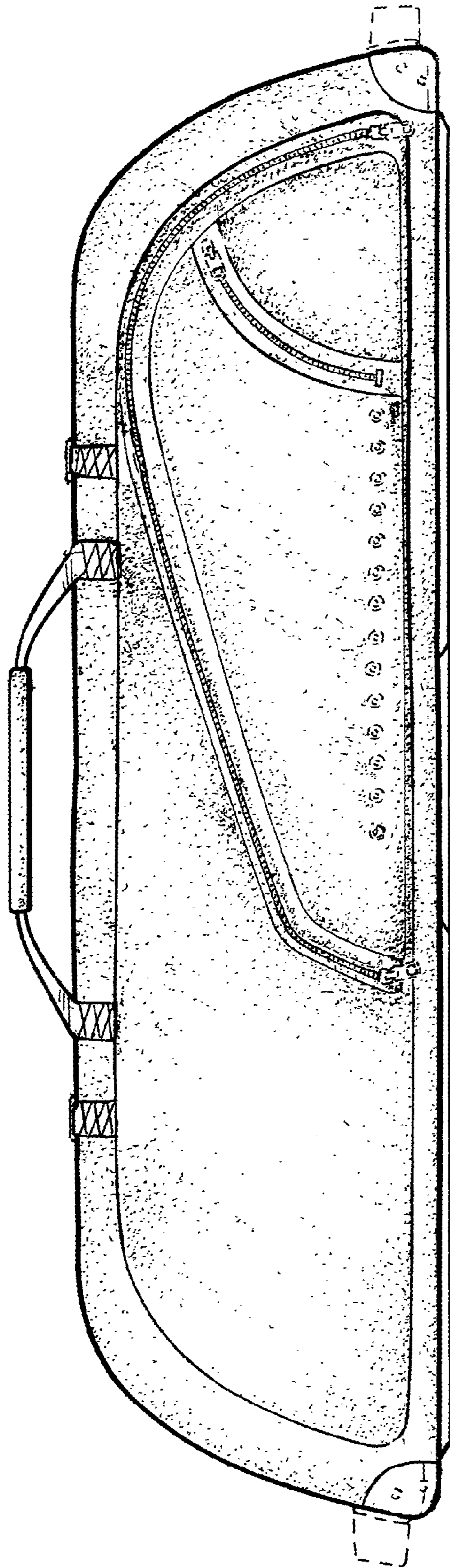


FIG. 4

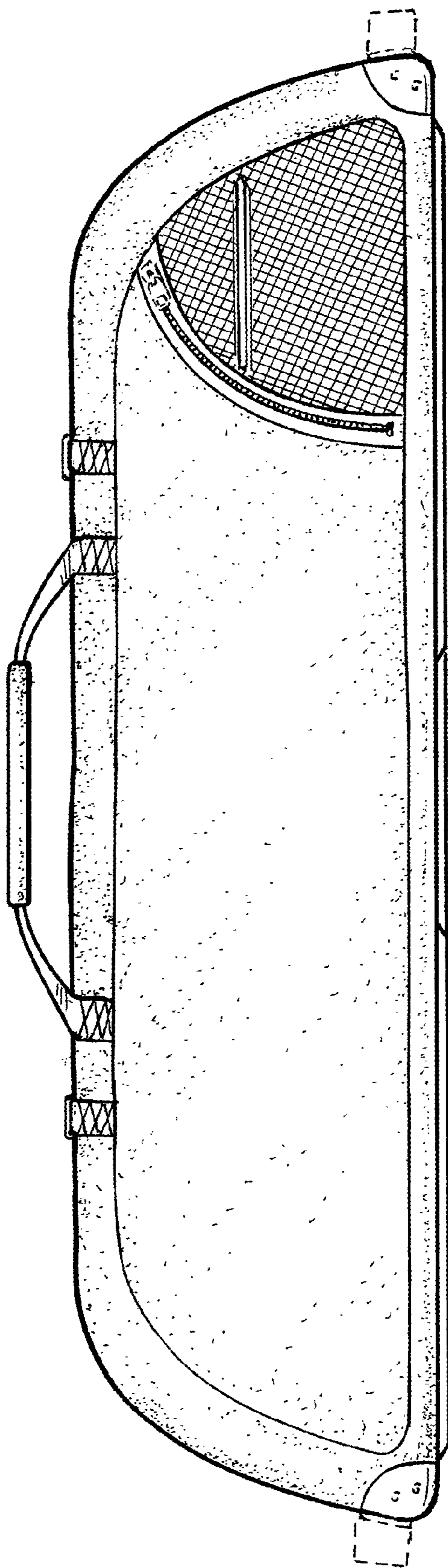


FIG. 5

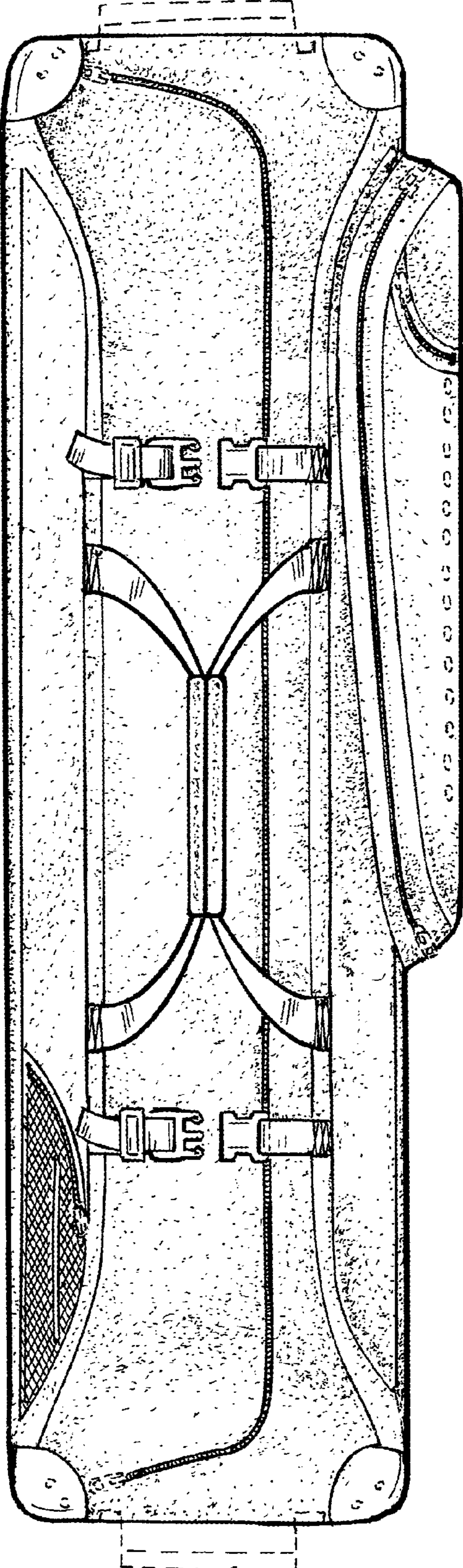


FIG. 6

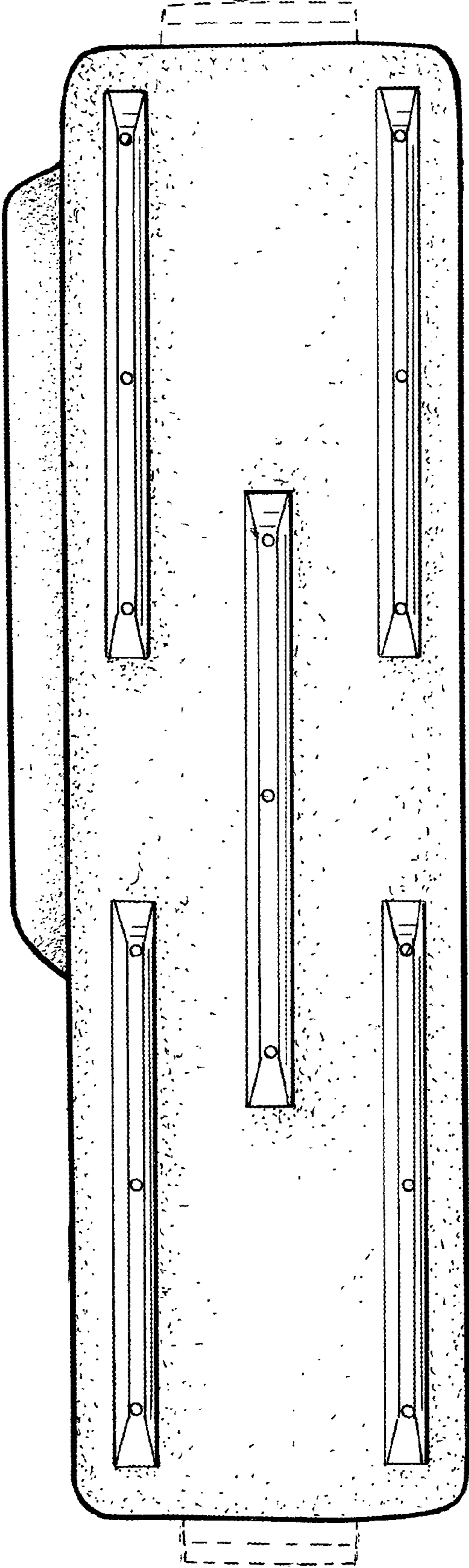


FIG. 7

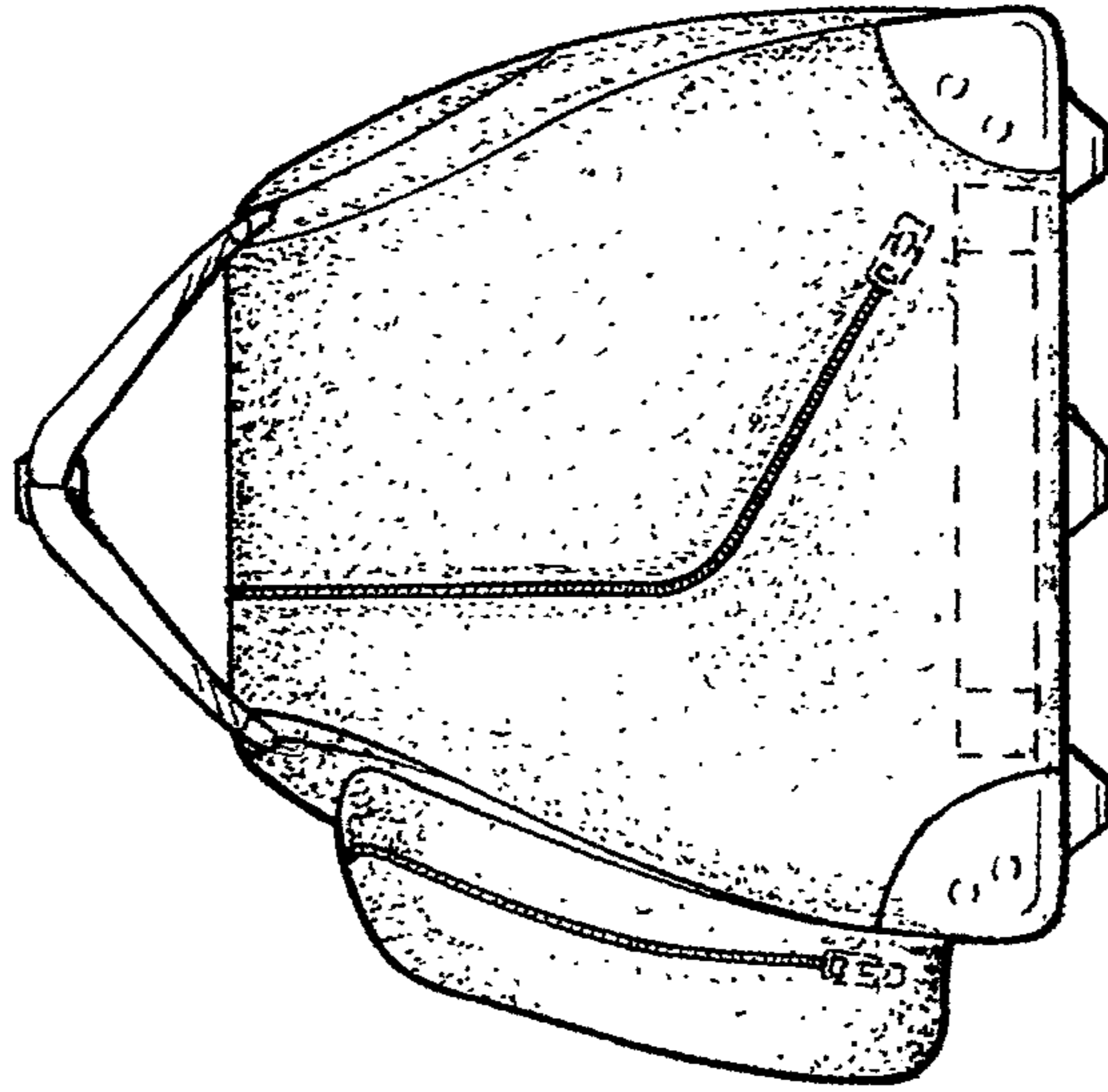


FIG. 9

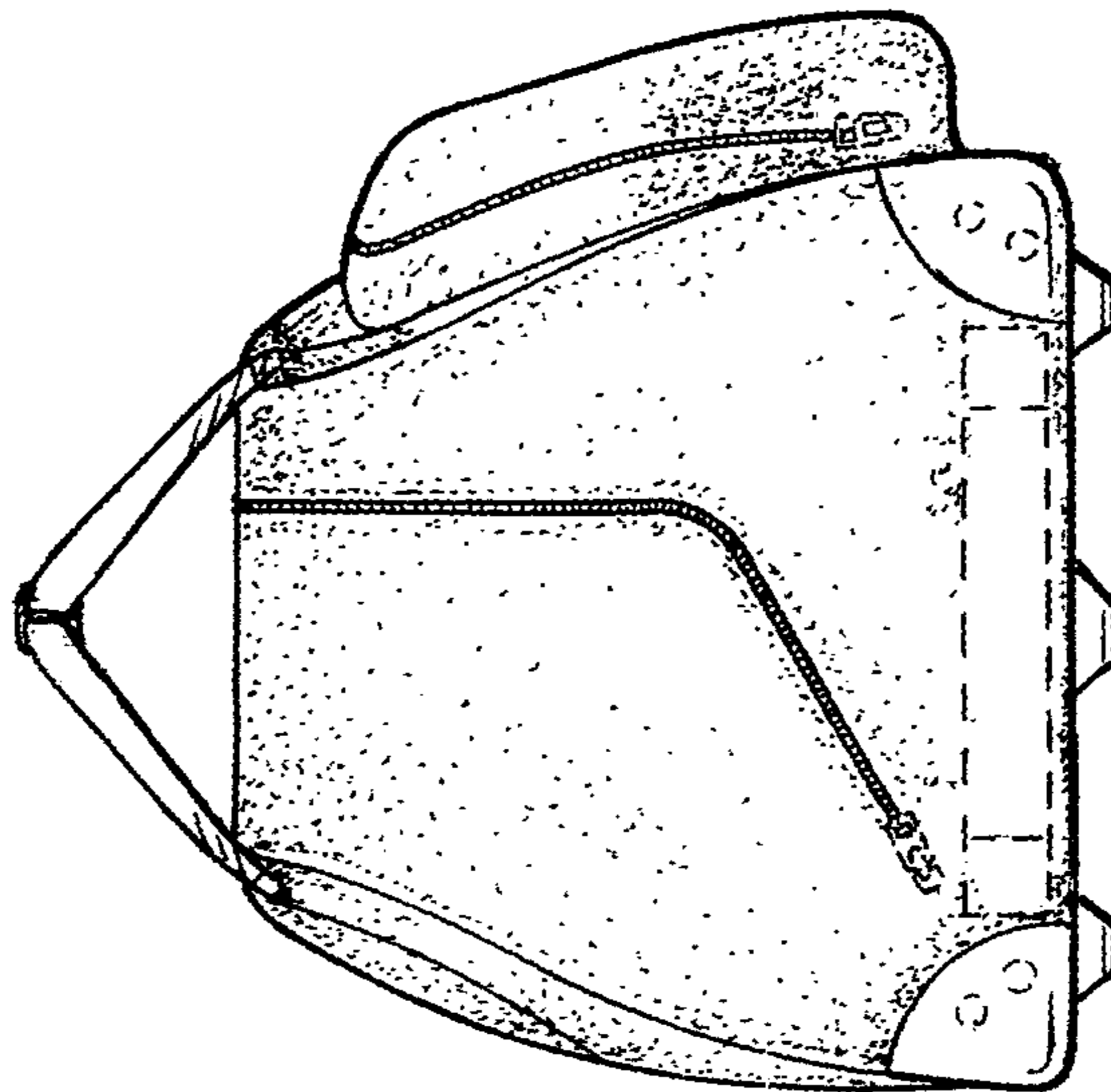


FIG. 8