



US00D757427S

(12) **United States Design Patent**
Dumas

(10) **Patent No.:** **US D757,427 S**
(45) **Date of Patent:** **** May 31, 2016**

(54) **HANDBAG**

D583,553 S * 12/2008 Stulman D3/232
D712,651 S * 9/2014 Proteau D3/232
D724,317 S * 3/2015 Proteau D3/232

(71) Applicant: **Hermes Sellier (Societe Par Actions Simplifiece)**, Paris (FR)

* cited by examiner

(72) Inventor: **Pierre-Alexis Dumas**, Paris (FR)

Primary Examiner — Robert M Spear

Assistant Examiner — Eliza Bennett-Hattan

(73) Assignee: **Hermes Sellier (Societe Par Actions Simplifiece)**, Paris (FR)

(74) *Attorney, Agent, or Firm* — Foley & Lardner LLP

(**) Term: **14 Years**

(57) **CLAIM**

The ornamental design for a handbag, as shown and described.

(21) Appl. No.: **29/501,198**

DESCRIPTION

(22) Filed: **Sep. 2, 2014**

(30) **Foreign Application Priority Data**

Mar. 3, 2014 (WO) DM/083 003

(51) **LOC (10) Cl.** **03-01**

(52) **U.S. Cl.**
USPC **D3/243**

(58) **Field of Classification Search**
USPC D3/218, 227, 232–233, 239, 240–243,
D3/245, 289, 301, 303, 318, 323, 327, 328,
D3/900; D8/97, 107, 300, 303, 313, 314,
D8/321; D15/5, 18
CPC Y10T 24/2586; Y10T 24/2589; Y10T
24/257; Y10T 24/25; A44B 19/262; A44B
19/26; A44B 19/00; A41F 1/008; A41D
2300/322; A45C 11/324
See application file for complete search history.

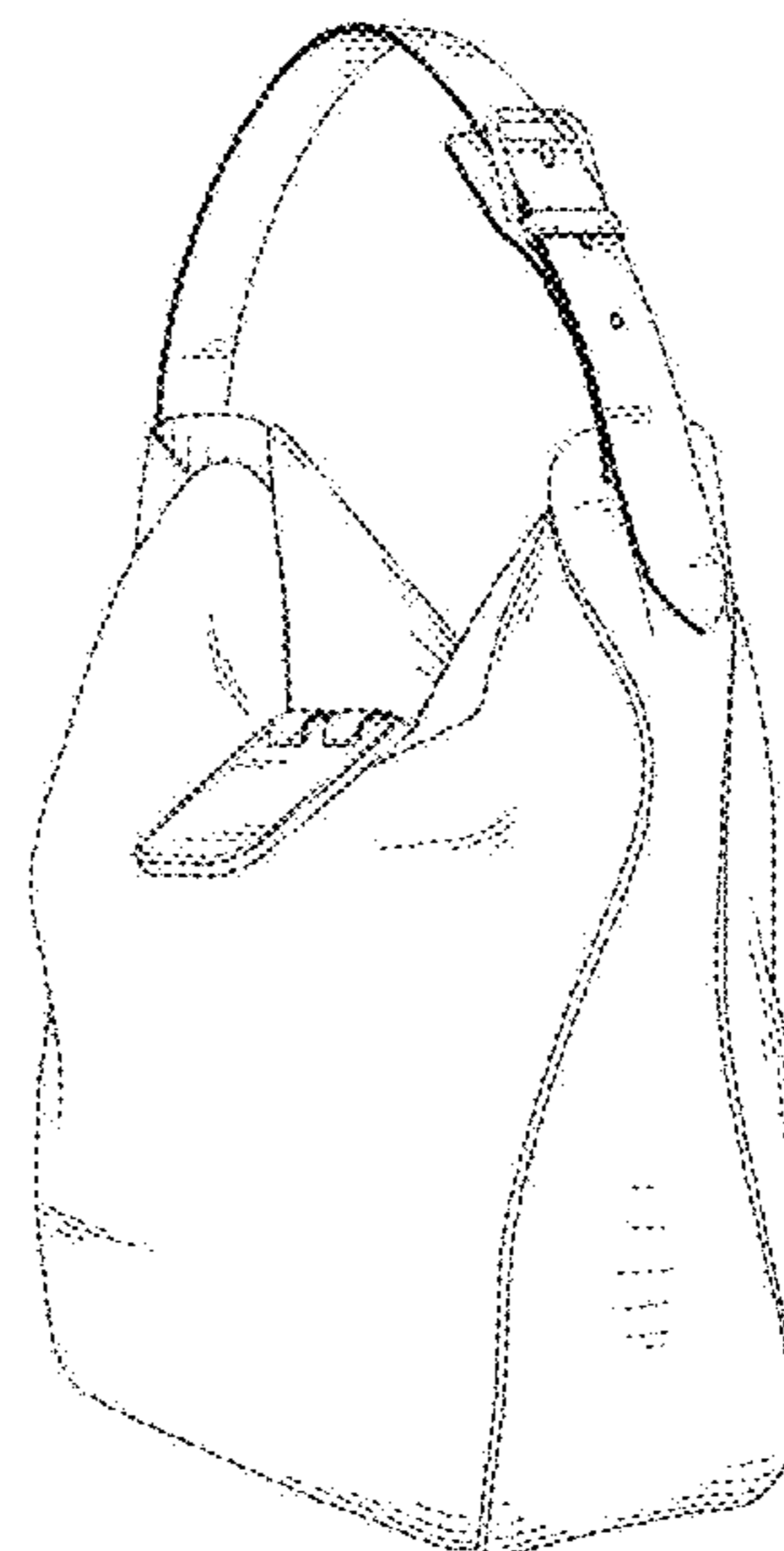
FIG. 1 is a front elevational view of a handbag of the claimed design;
FIG. 2 is a rear elevational view of the handbag shown in FIG. 1;
FIG. 3 is a right side elevational view of the handbag shown in FIG. 1;
FIG. 4 is a left side elevational view of the handbag shown in FIG. 1;
FIG. 5 is a top plan view of the handbag shown in FIG. 1;
FIG. 6 is a bottom plan view of the handbag shown in FIG. 1;
FIG. 7 is a front perspective view of the handbag shown in FIG. 1;
FIG. 8 is a front perspective, enlarged view of a portion of the handbag shown in FIG. 1; and,
FIG. 9 is a front perspective, enlarged view of a portion of the handbag shown in FIG. 1 in an alternate configuration.
The claimed design is shown in solid lines in the figures. The dashed broken lines in the figures represent stitching and are part of the claimed design. The dash-dot broken lines shown in FIGS. 8 and 9 define the bounds of the portion of the claimed design shown in FIGS. 8 and 9 and form no part thereof.

(56) **References Cited**

U.S. PATENT DOCUMENTS

D253,135 S * 10/1979 Fontana D3/214
D406,457 S * 3/1999 De Baschmakoff D3/232

1 Claim, 9 Drawing Sheets



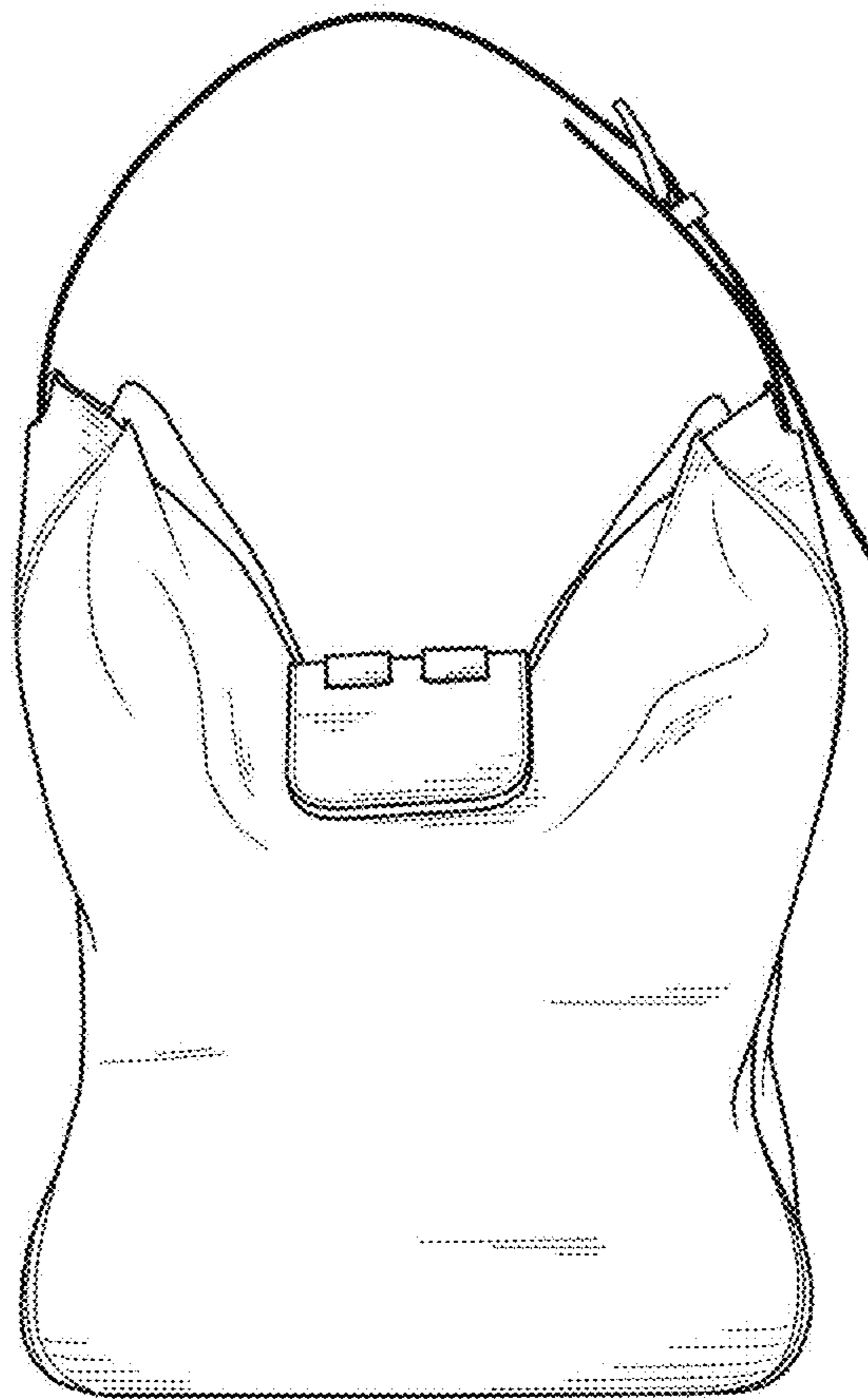


FIG. 1

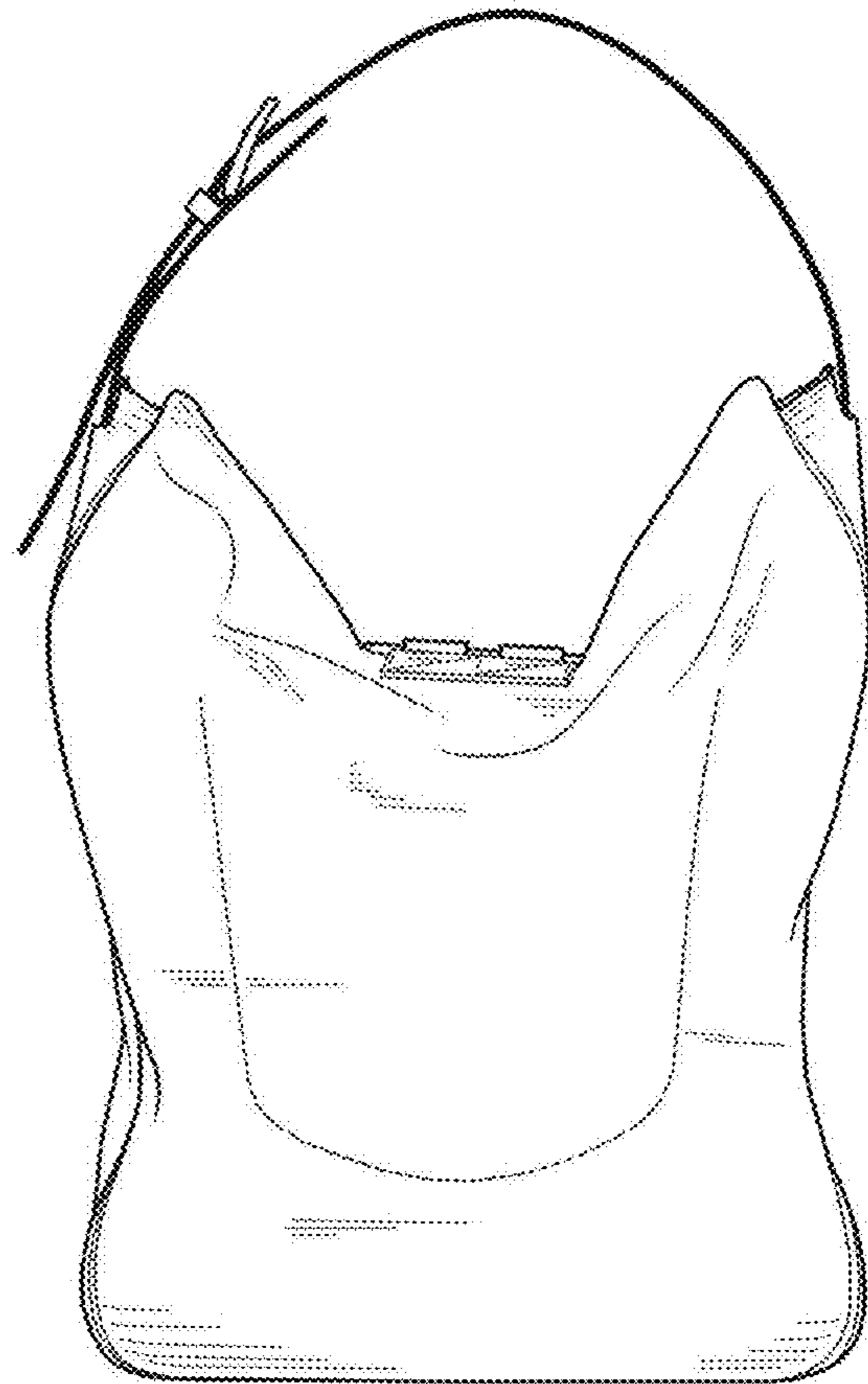


FIG. 2

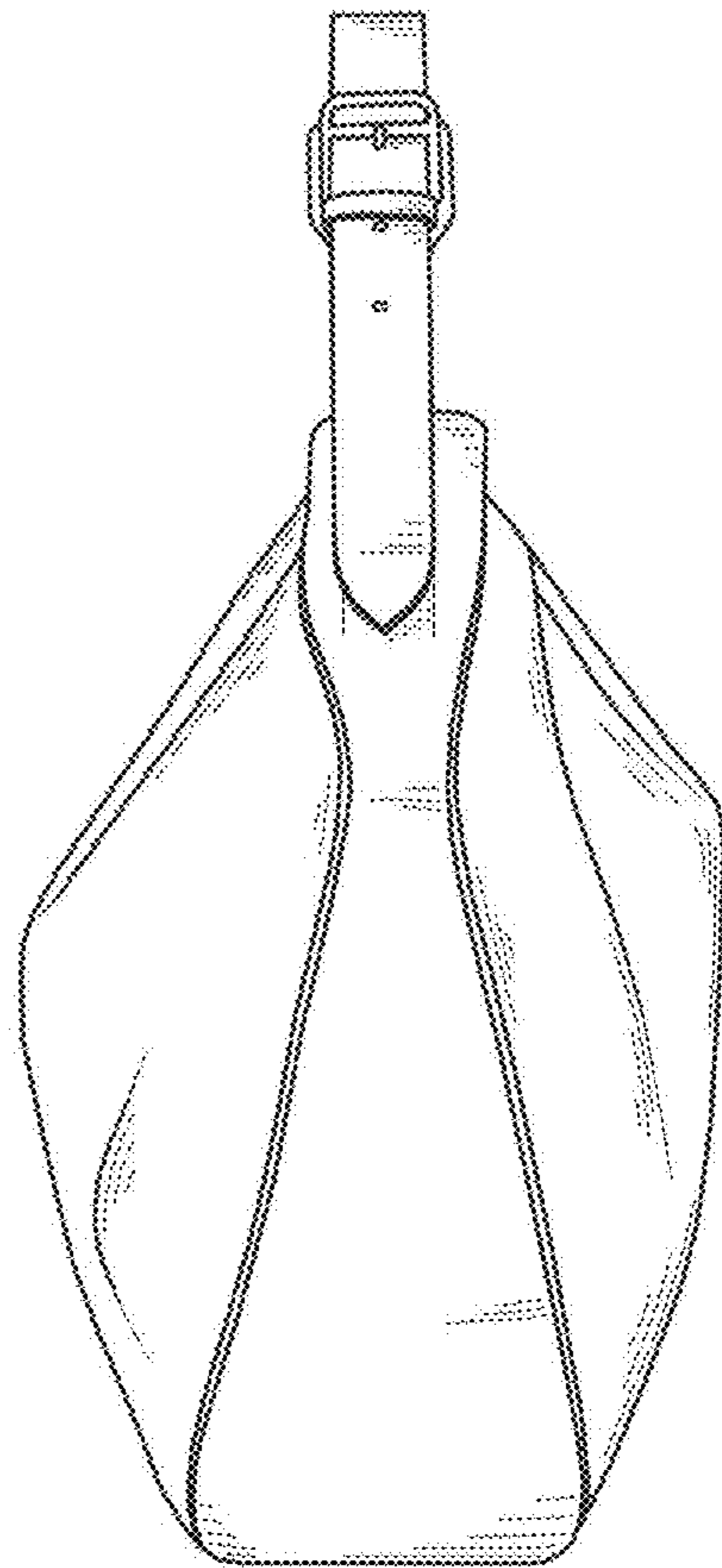


FIG. 3

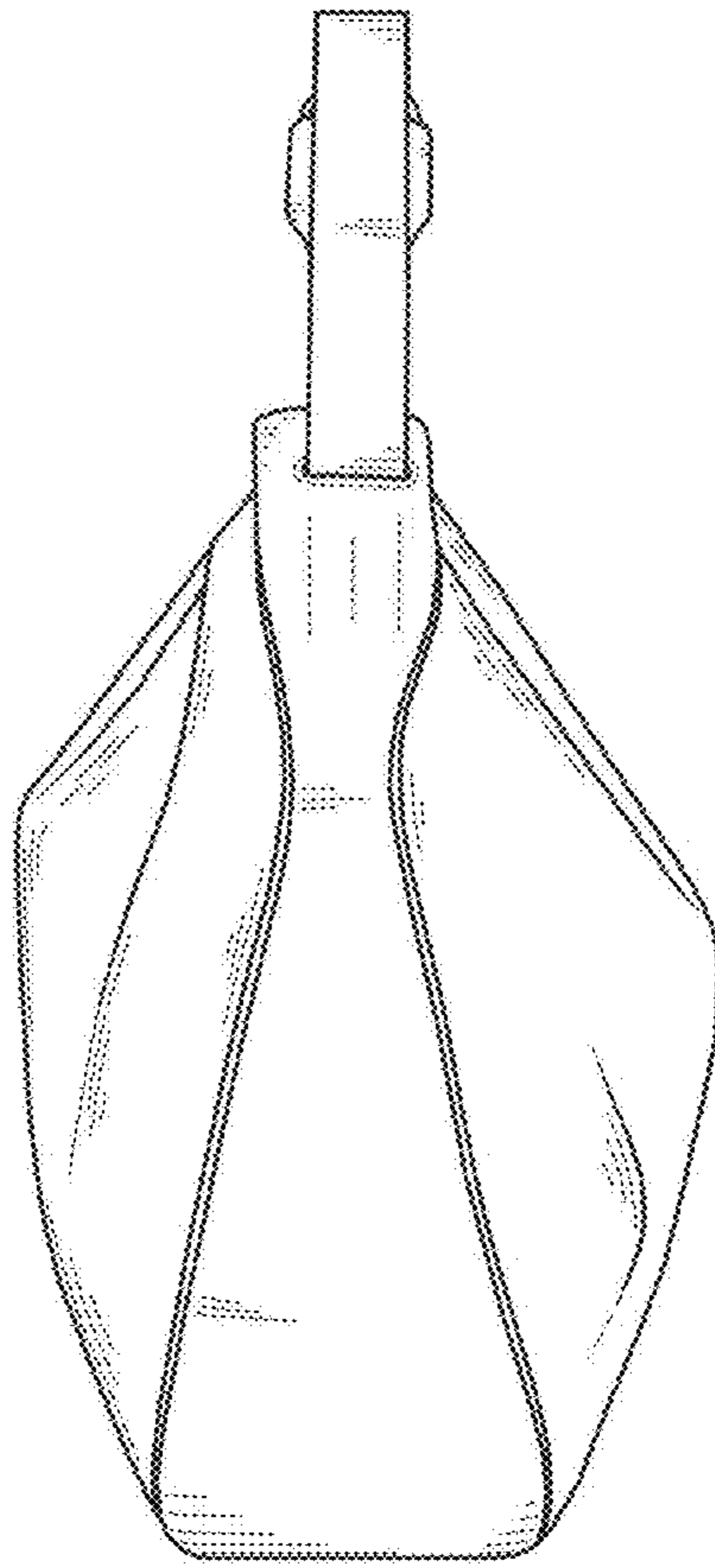


FIG. 4

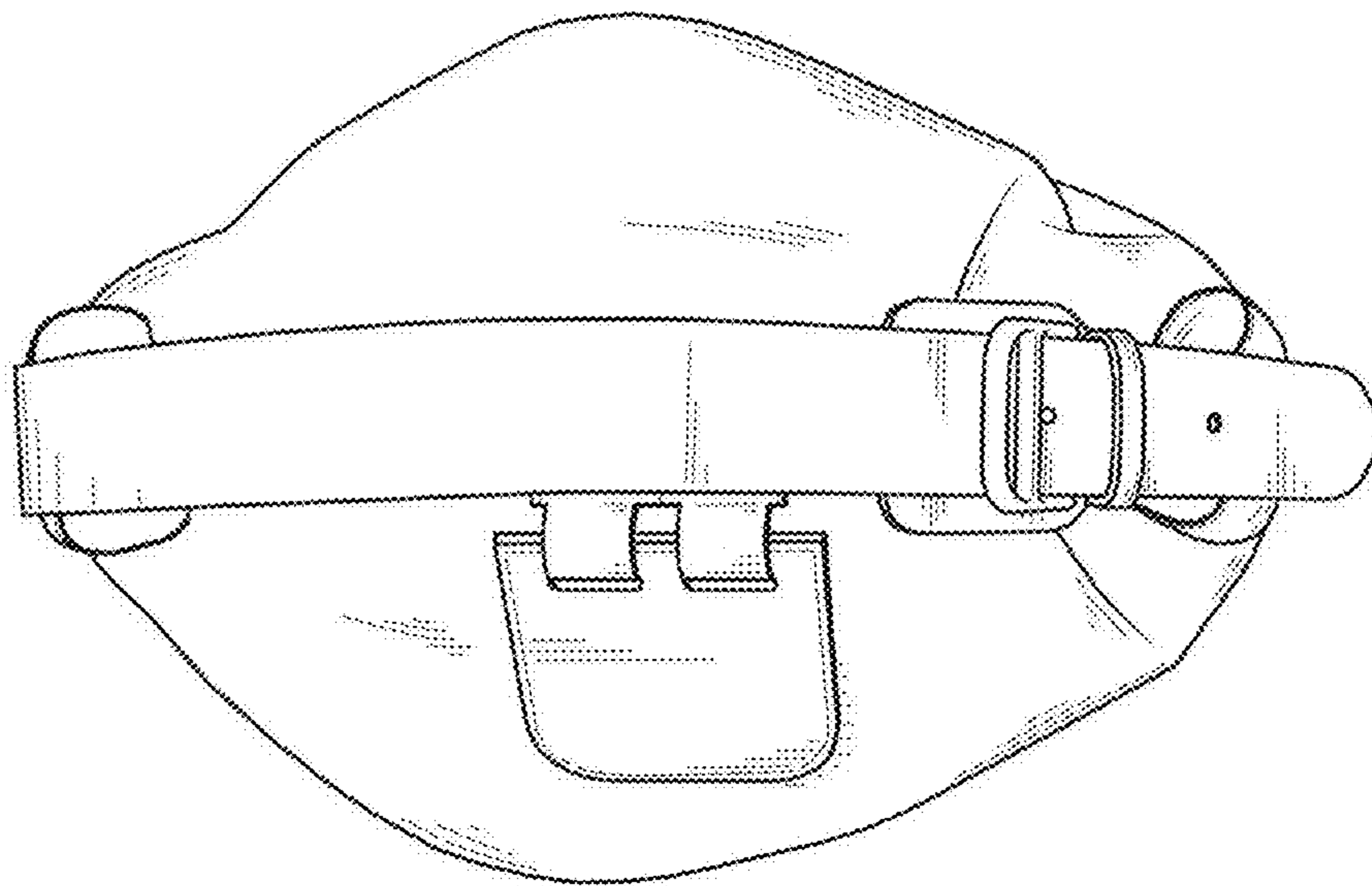


FIG. 5

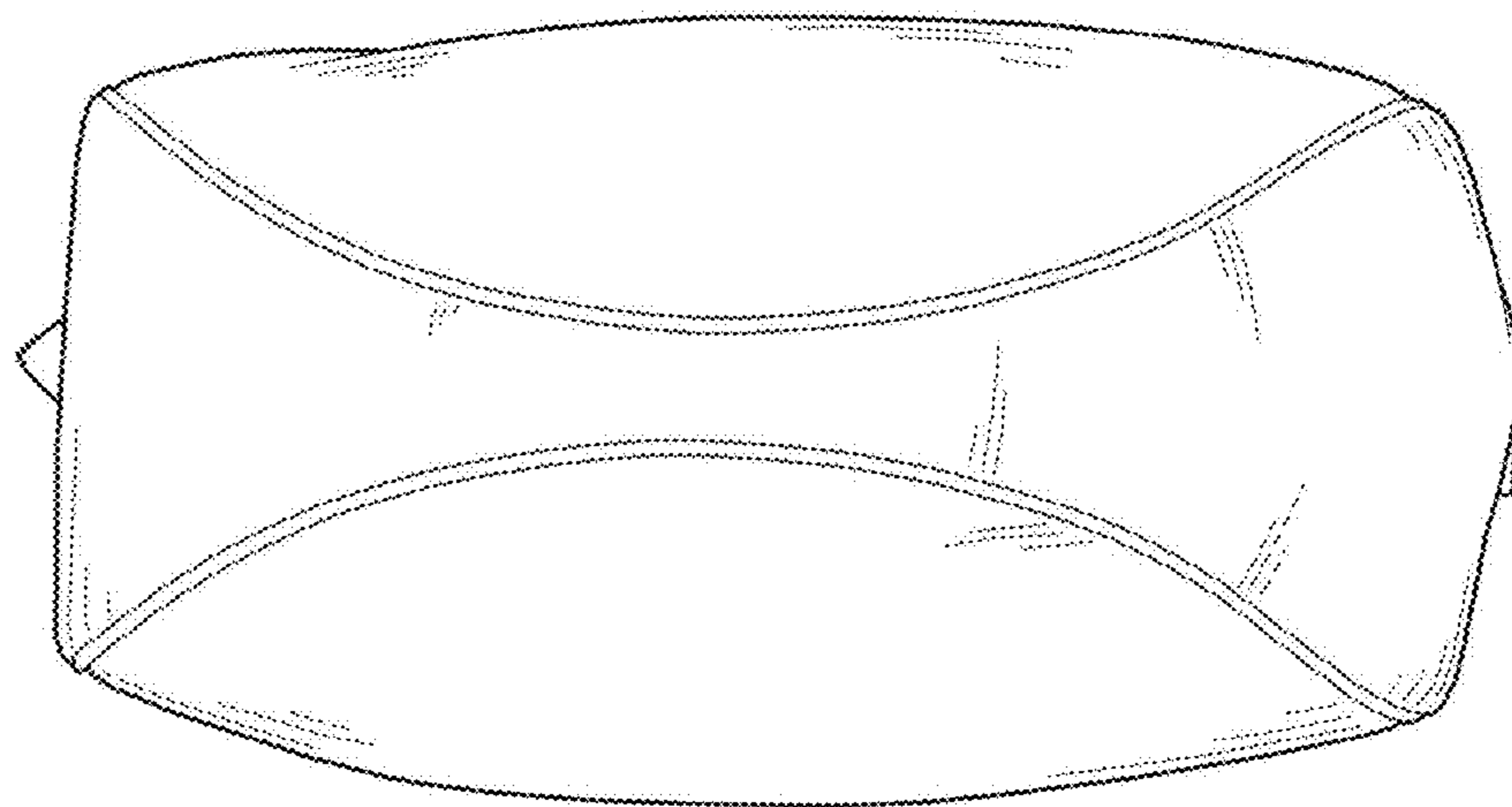


FIG. 6

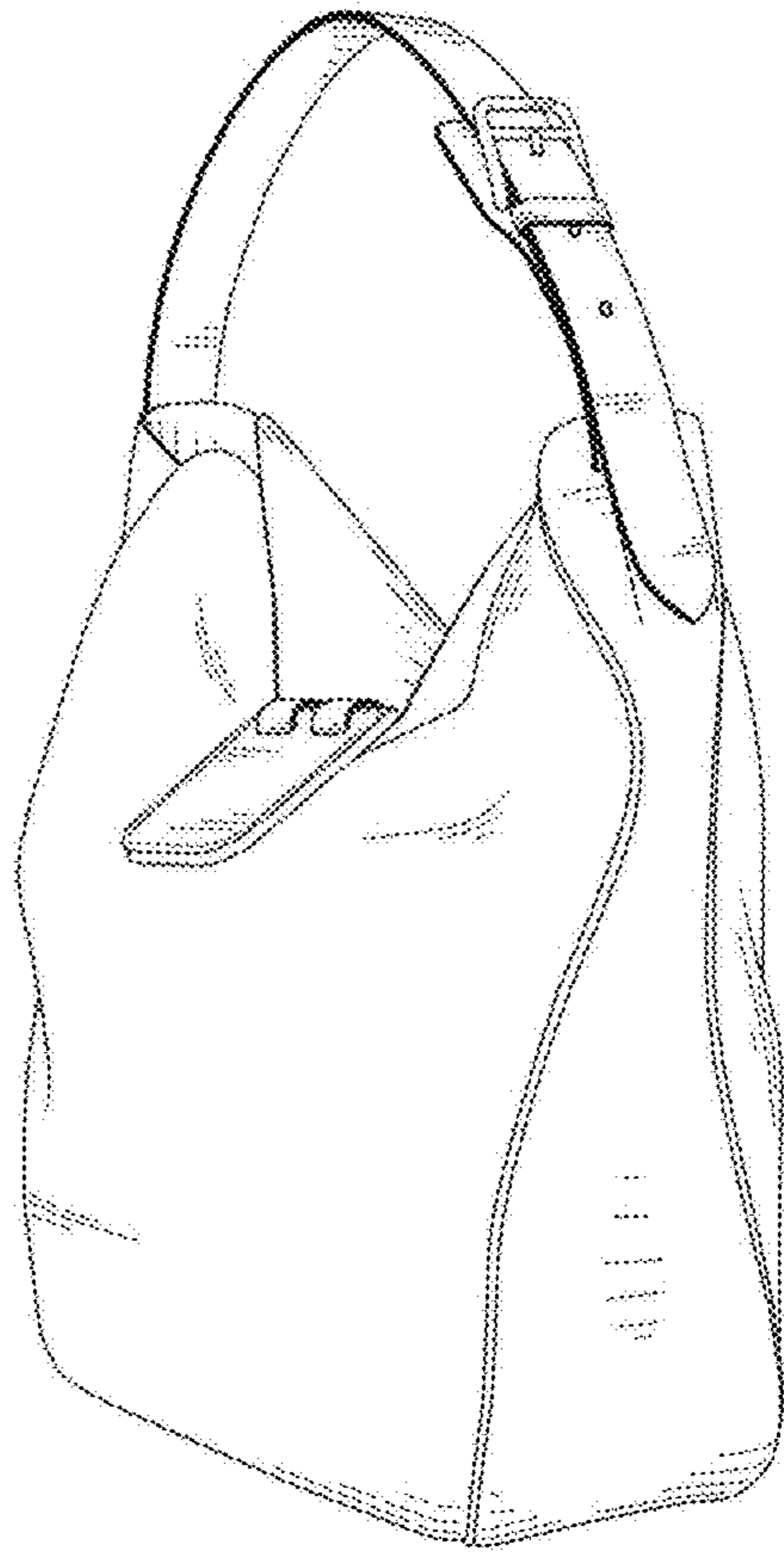


FIG. 7

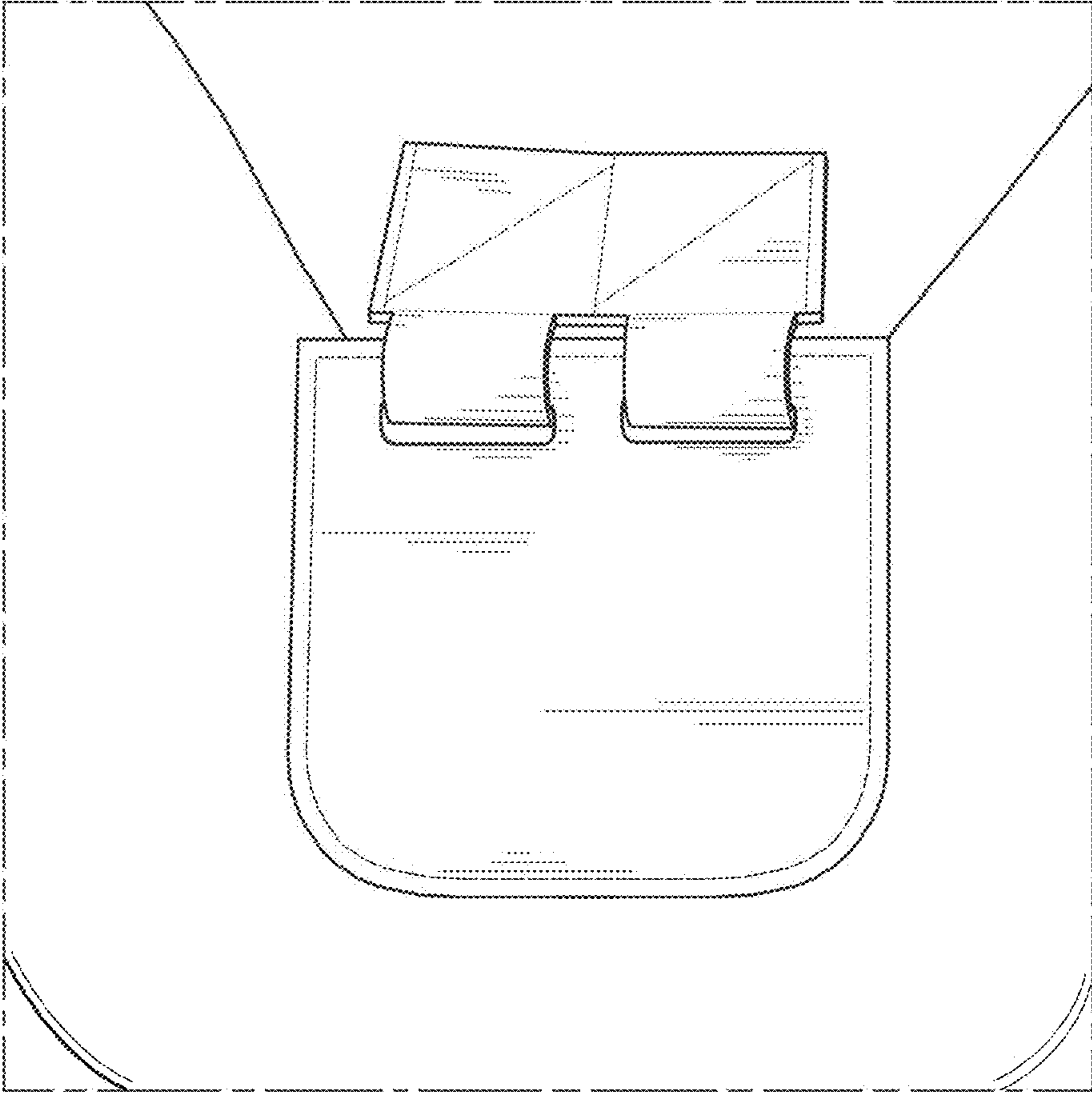


FIG. 8

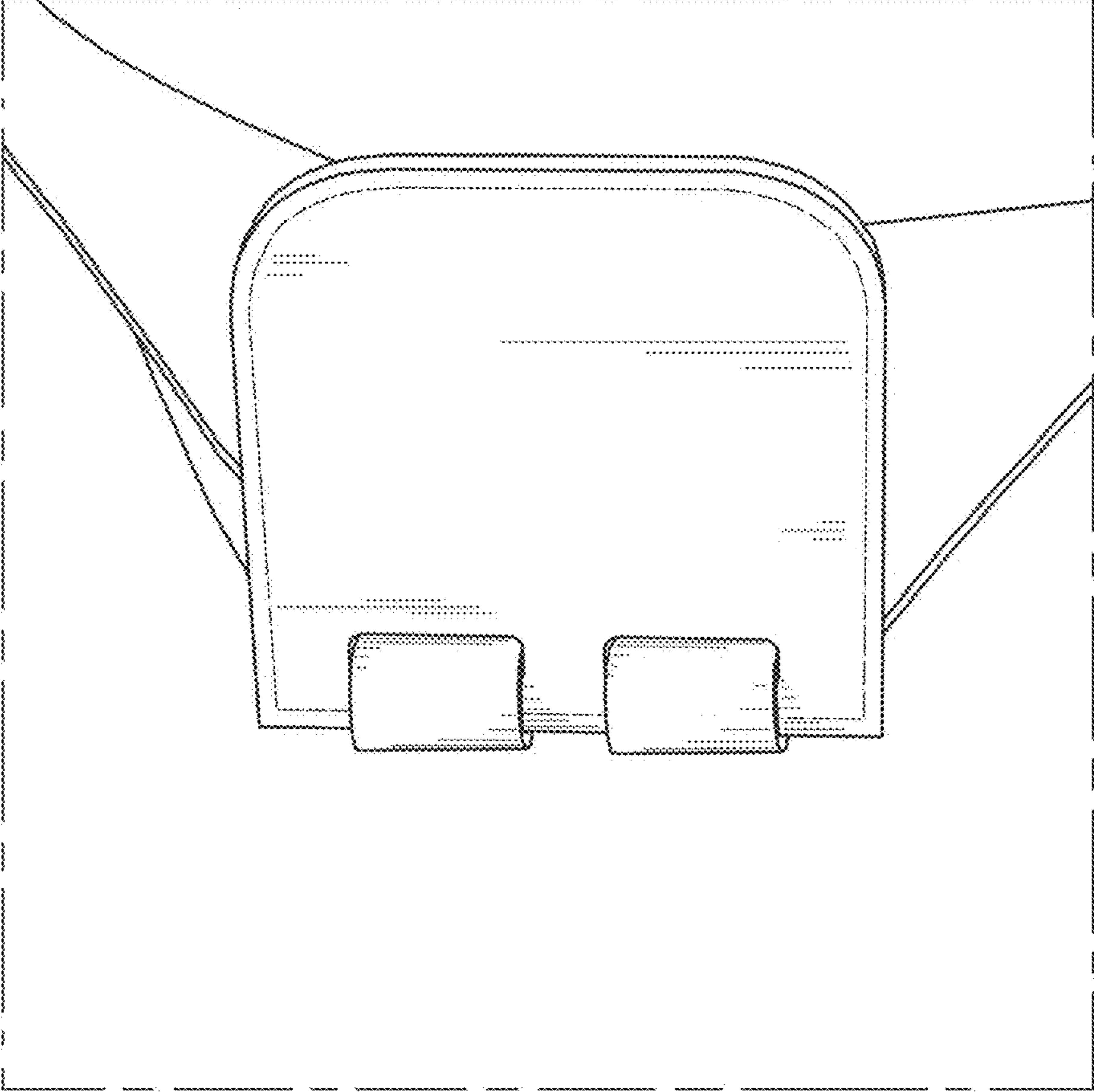


FIG. 9