



US00D757424S

(12) **United States Design Patent**
Phillips et al.

(10) **Patent No.:** **US D757,424 S**
(45) **Date of Patent:** **** May 31, 2016**

(54) **CONTAINER FOR AN ELECTRONIC DEVICE**

(71) Applicant: **BlackBerry Limited**, Waterloo (CA)

(72) Inventors: **Alison Phillips**, Toronto (CA); **Patrick Edward Everts Kroetsch**, Toronto (CA)

(73) Assignee: **BlackBerry Limited**, Waterloo, Ontario (CA)

(**) Term: **14 Years**

(21) Appl. No.: **29/511,300**

(22) Filed: **Dec. 9, 2014**

(51) **LOC (10) Cl.** **03-01**

(52) **U.S. Cl.**
USPC **D3/218**

(58) **Field of Classification Search**
USPC D3/218–219, 215, 201, 224, 226, 228, D3/269, 299, 300, 303; 224/240–241, 245, 224/578, 674, 676–681, 901, 904; 206/759, 206/762, 305, 320, 576; 455/575.1–575.8; D14/250–251; 379/455
CPC A45F 5/00; A45F 5/02; A45F 5/021; A45F 5/022; A45F 2005/00; A45F 2005/008; A45F 2005/02; A45F 2200/05; A45F 2200/0516

See application file for complete search history.

(56) **References Cited**

U.S. PATENT DOCUMENTS

D506,066 S * 6/2005 Nieves D3/299
D611,701 S * 3/2010 Fahrendorff D3/218
D620,704 S * 8/2010 Fahrendorff D3/218
D669,258 S * 10/2012 Phillips D3/218
D680,323 S * 4/2013 Phillips D3/218

D680,324 S * 4/2013 Phillips D3/218
D691,368 S * 10/2013 Curran-Blaney D3/218
D697,709 S * 1/2014 Klusener D3/218
D704,443 S * 5/2014 Curran-Blaney D3/303
D712,147 S * 9/2014 Curran-Blaney D3/303

* cited by examiner

Primary Examiner — Catheri Oliver-Garcia

(74) *Attorney, Agent, or Firm* — Jon Gibbons; Fleit Gibbons Gutman Bongini & Bianco P.L.

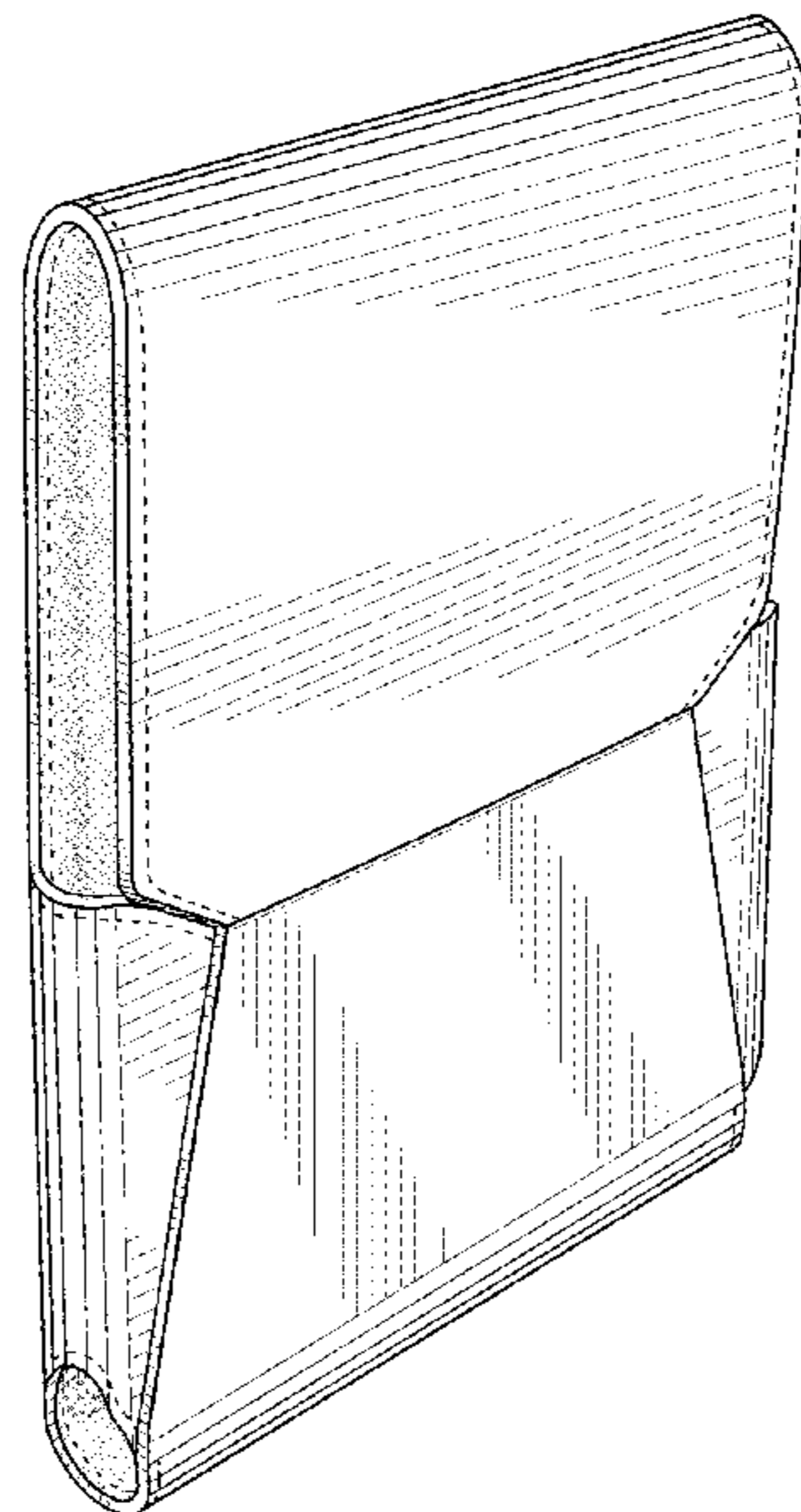
(57) **CLAIM**

The ornamental design for a container for an electronic device, as shown and described.

DESCRIPTION

FIG. 1 is a rear perspective view of a first embodiment of a container for an electronic device;
FIG. 2 is a front perspective view thereof;
FIG. 3 is a rear elevation view thereof;
FIG. 4 is a front elevation view thereof;
FIG. 5 is a side elevation view thereof;
FIG. 6 is an opposite side elevation view thereof;
FIG. 7 is a plan view thereof;
FIG. 8 is an opposite plan view thereof
FIG. 9 is a rear perspective view of a second embodiment;
FIG. 10 is a front perspective view thereof;
FIG. 11 is a rear elevation view thereof;
FIG. 12 is a front elevation view thereof;
FIG. 13 is a right side elevation view thereof;
FIG. 14 is a left side elevation view thereof;
FIG. 15 is a plan view thereof; and,
FIG. 16 is an opposite plan view thereof.
Thick broken lines shown in FIGS. 1 and 3 form no part of the claimed design whereas fine broken lines shown in the drawings represent stitching that is part of the claimed design. The stippling and linear shading show contrast between surfaces.

1 Claim, 12 Drawing Sheets



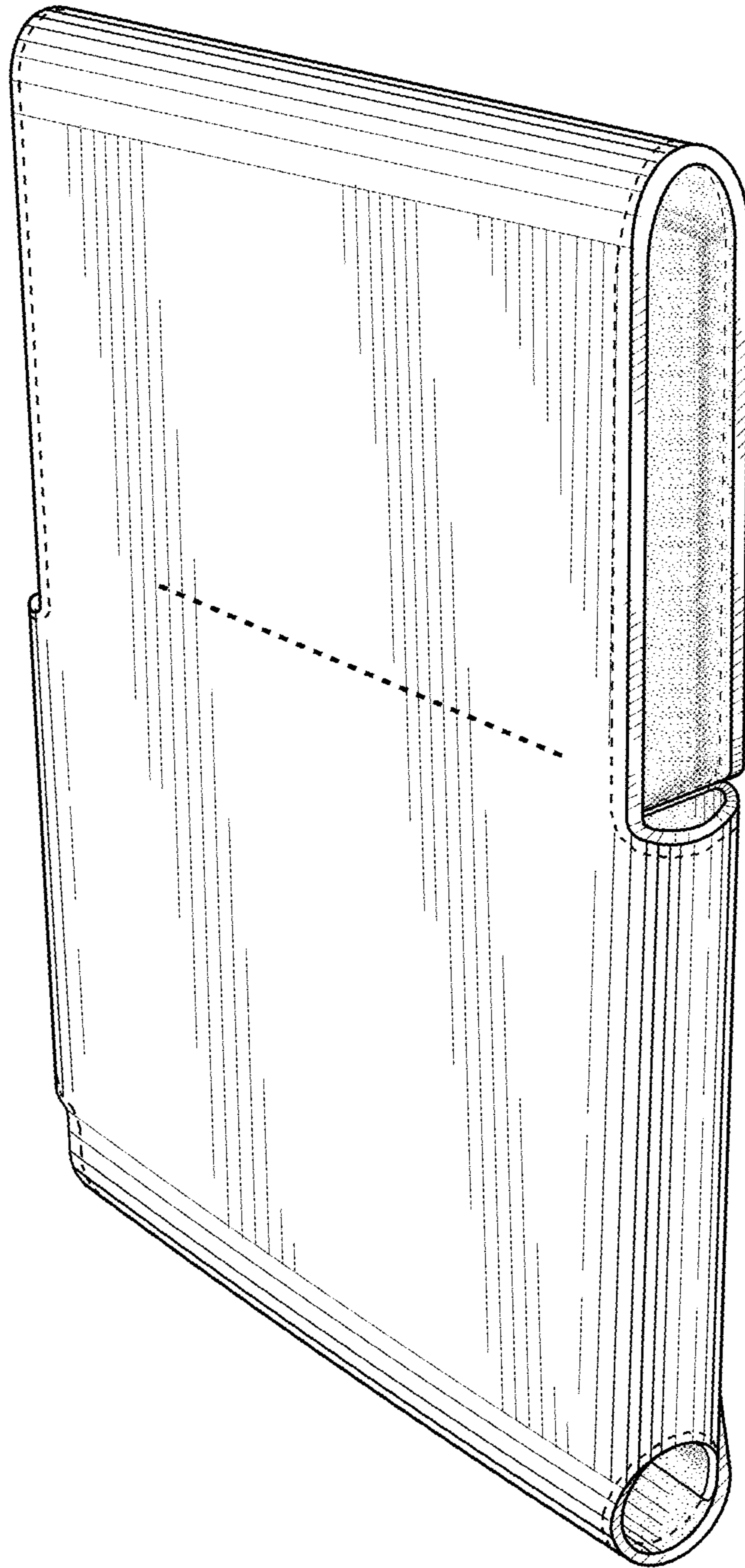


FIG. 1

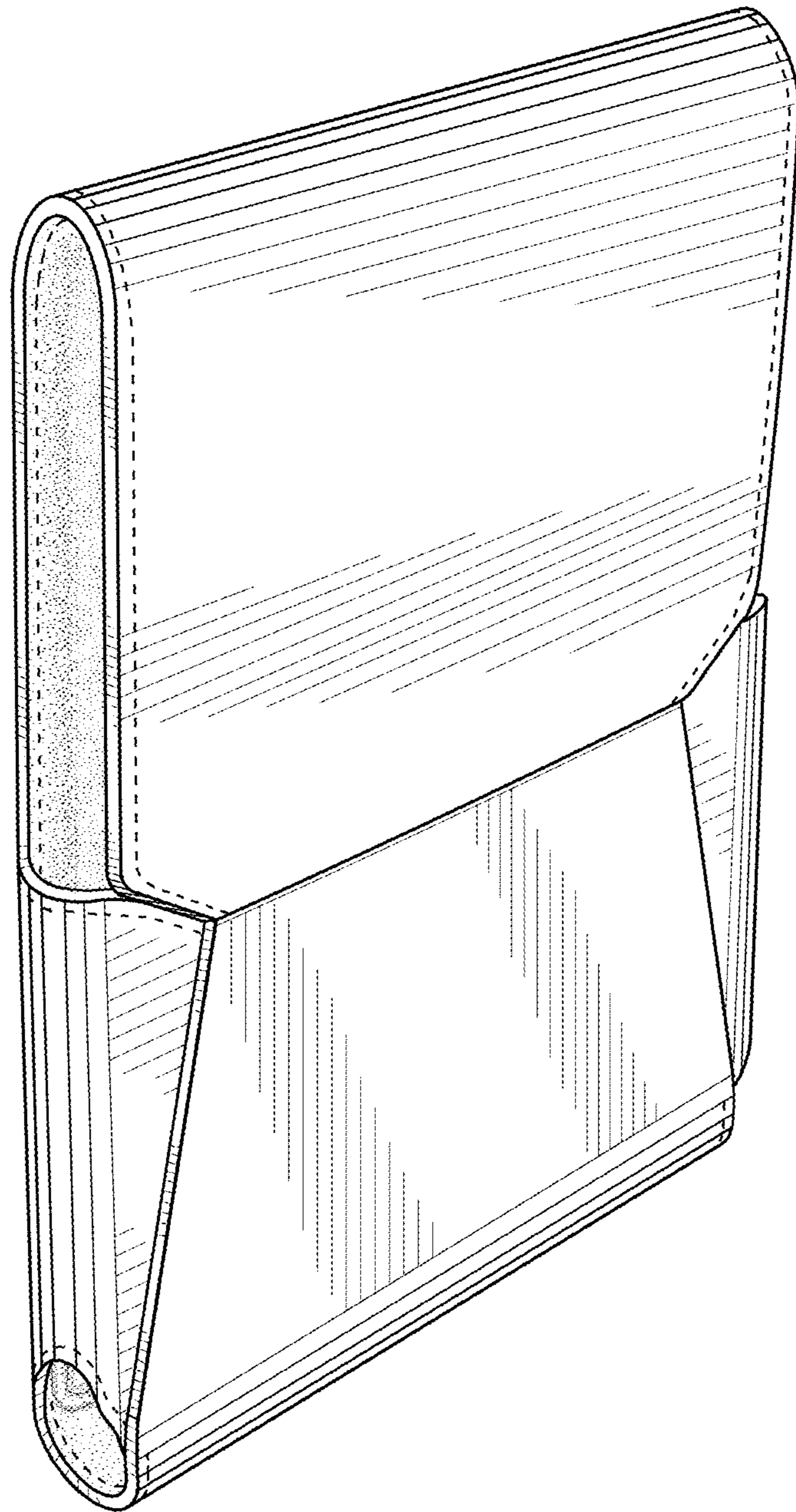


FIG.2

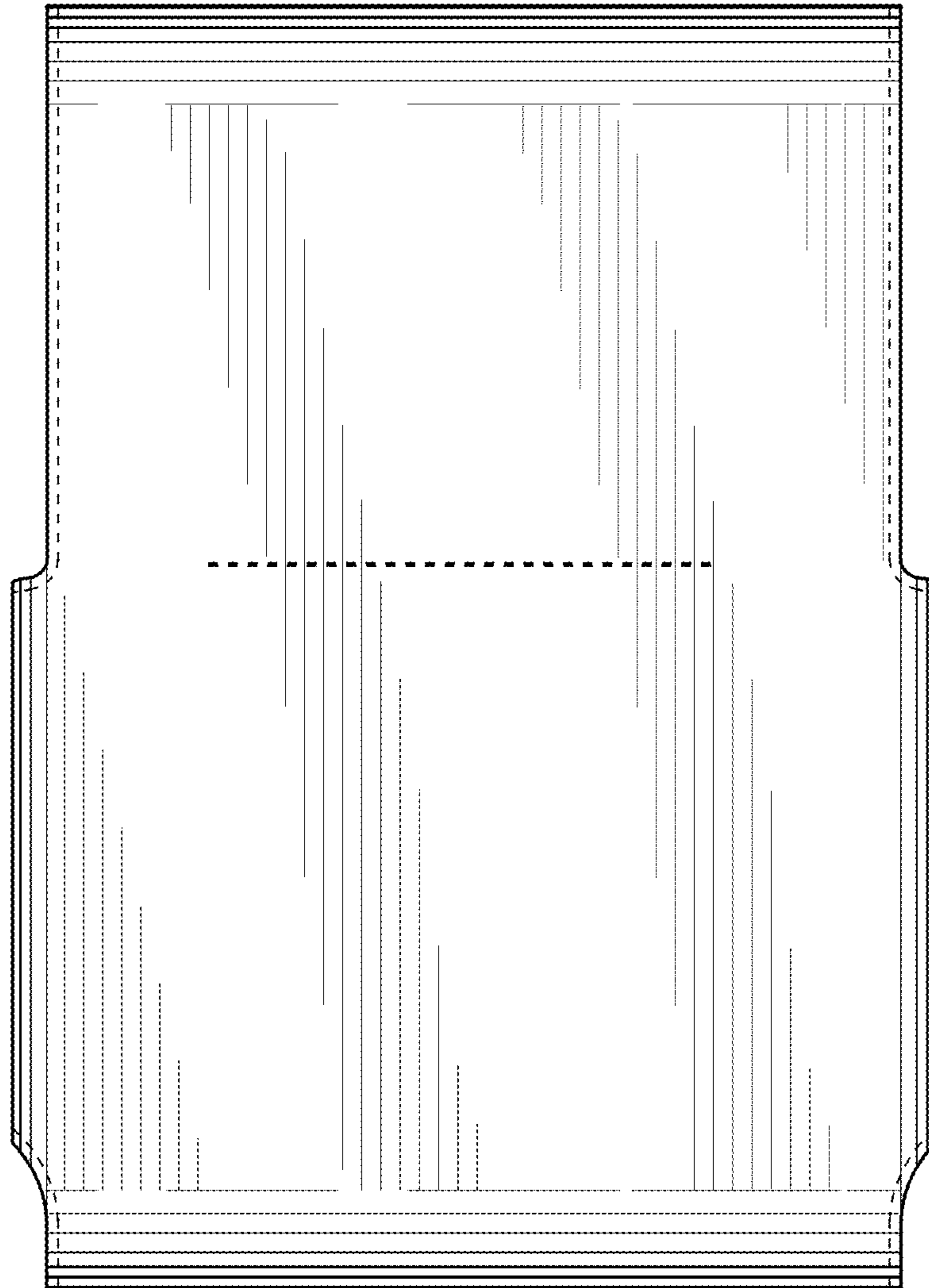


FIG.3

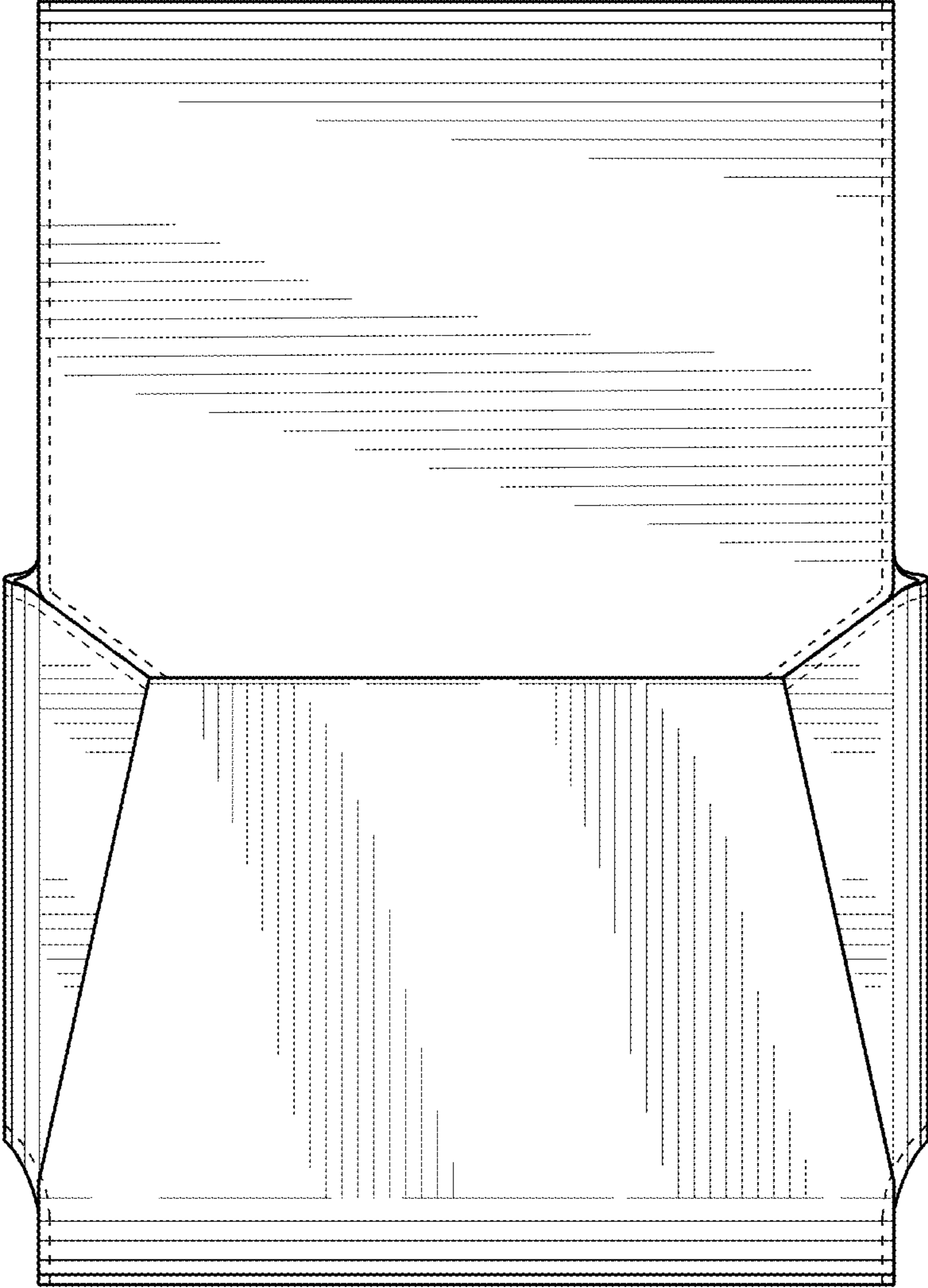


FIG.4

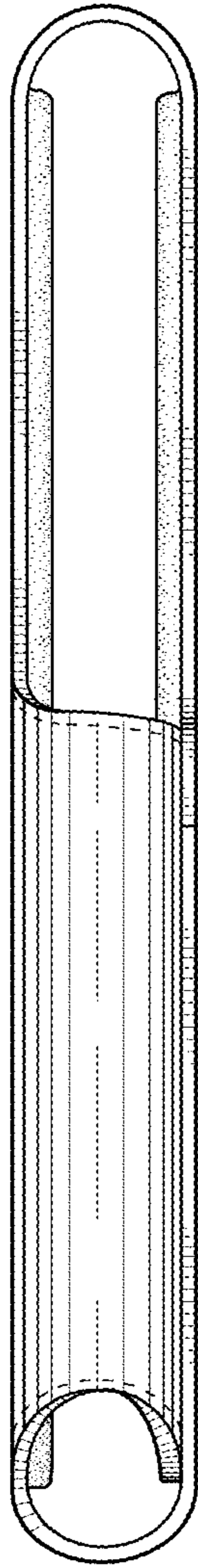


FIG. 5

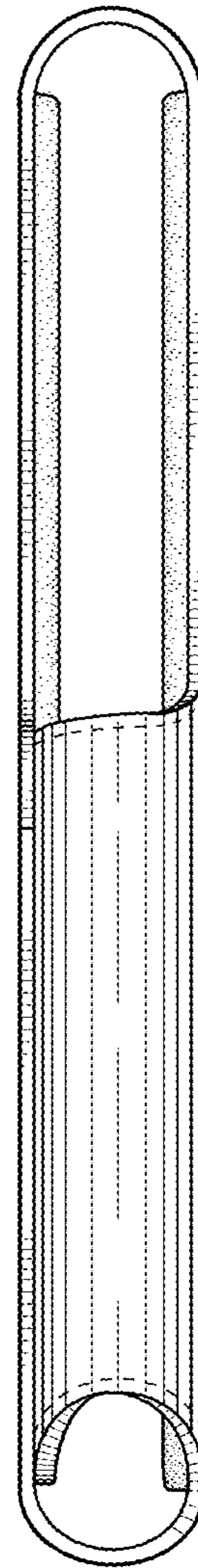


FIG. 6

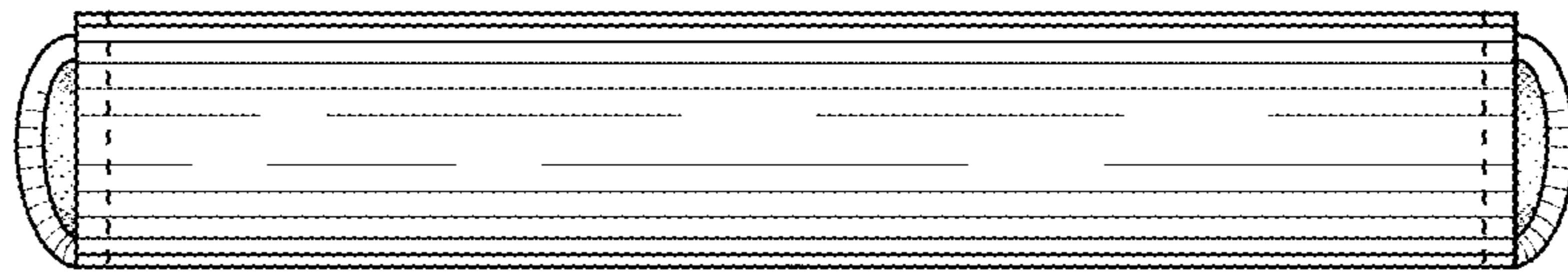


FIG. 7

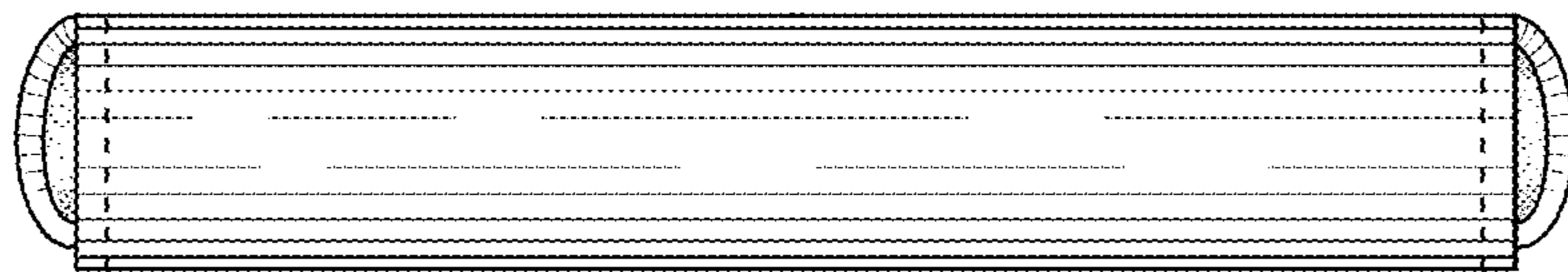


FIG. 8

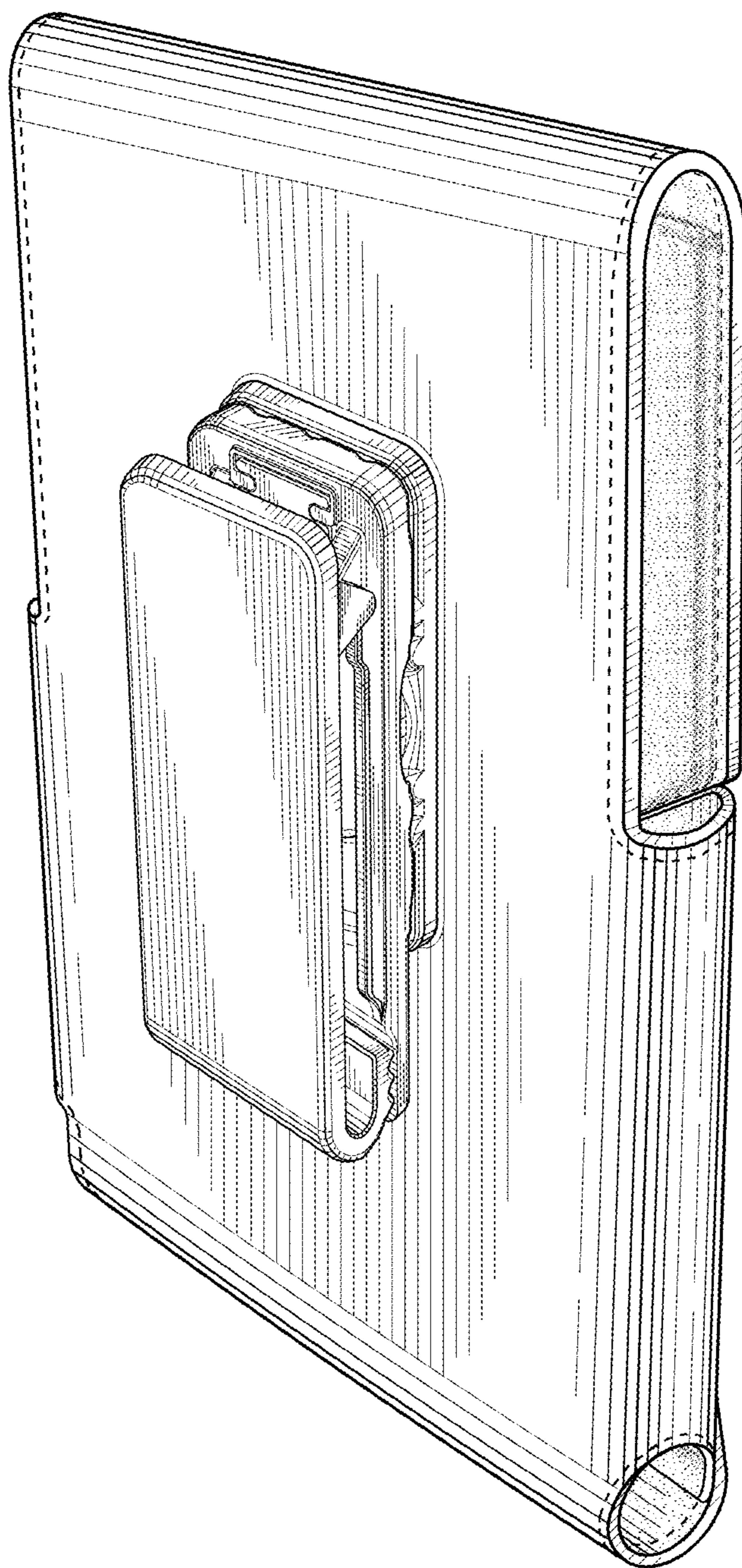


FIG.9

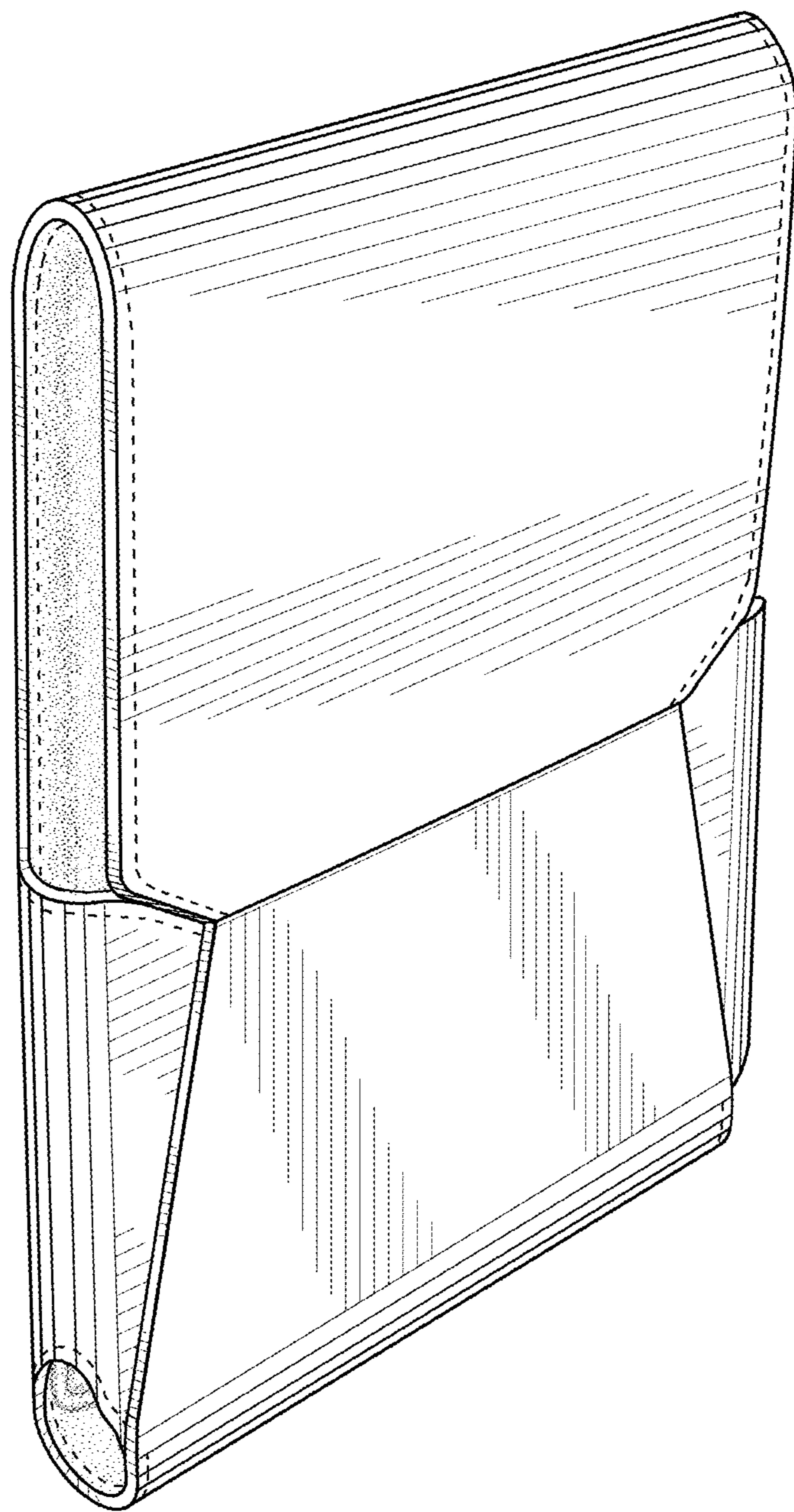


FIG.10

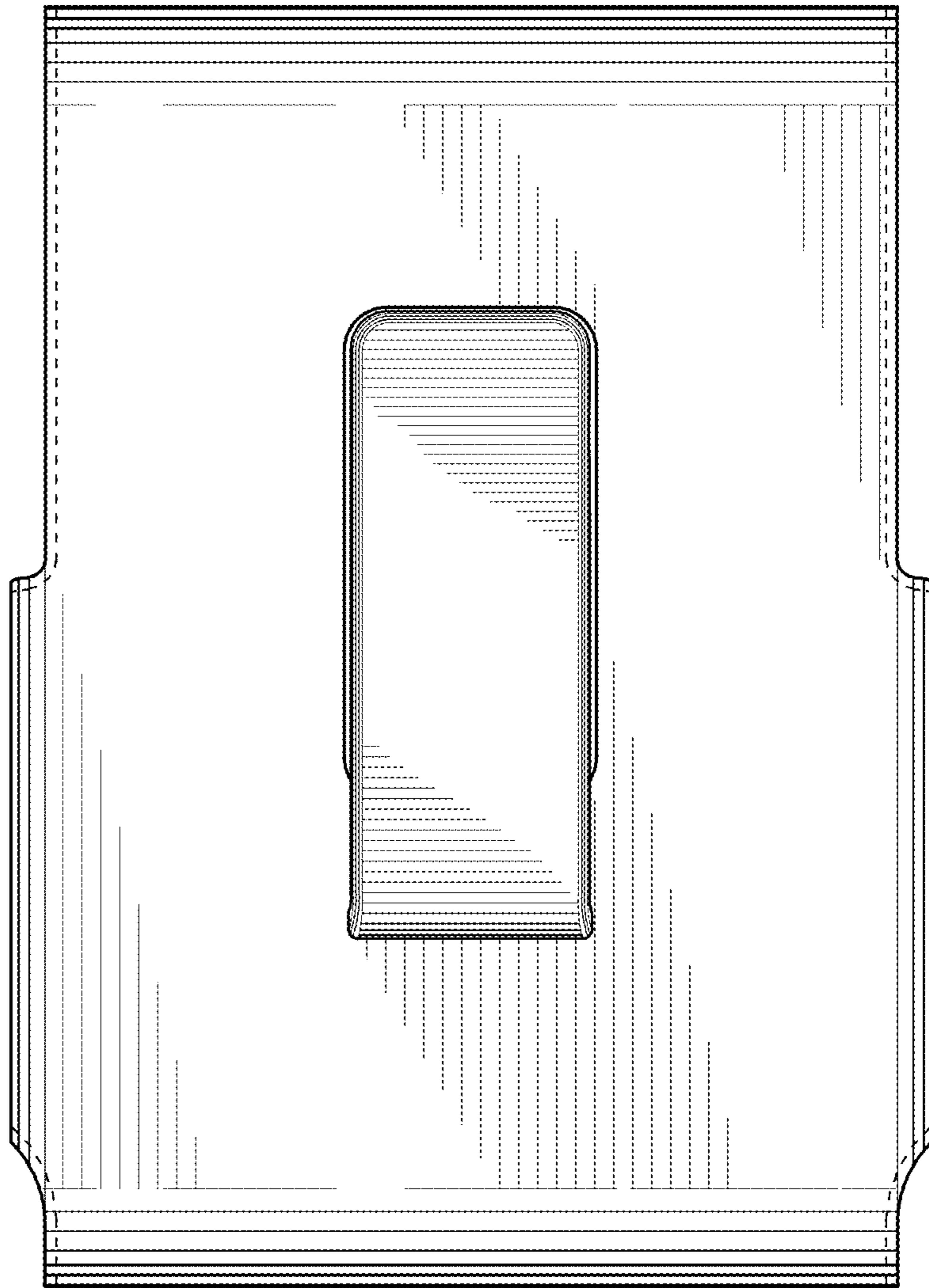


FIG. 11

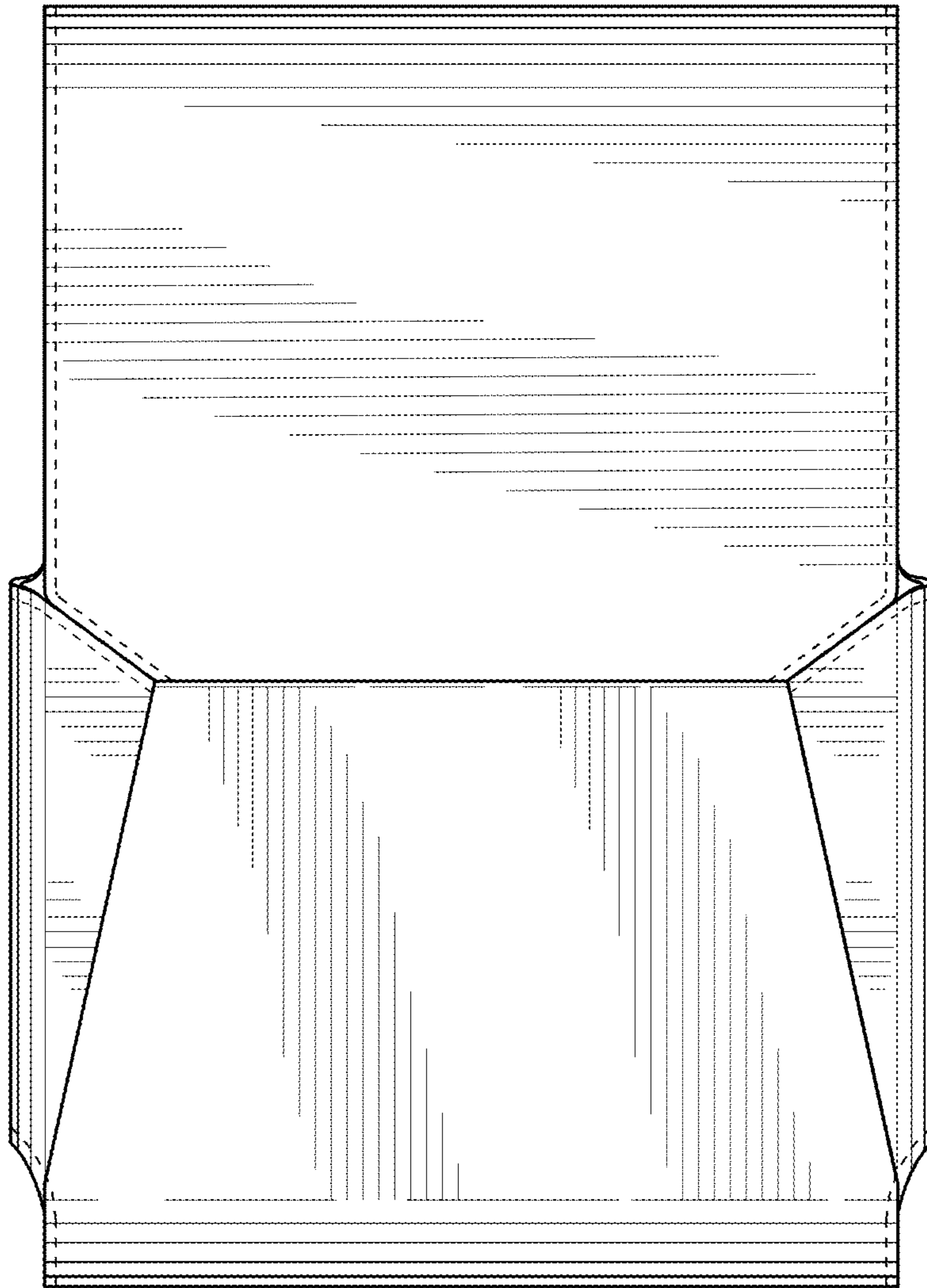


FIG.12

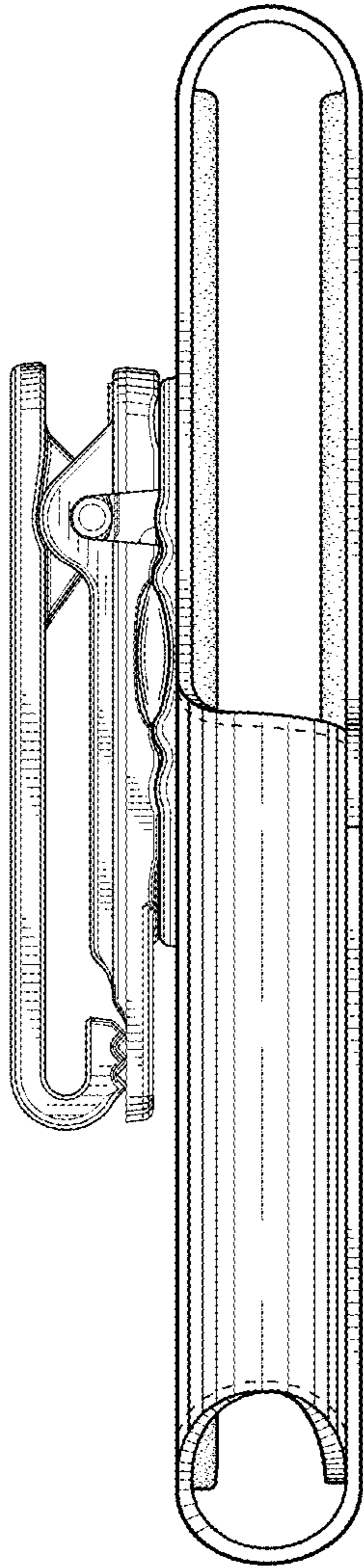


FIG. 13

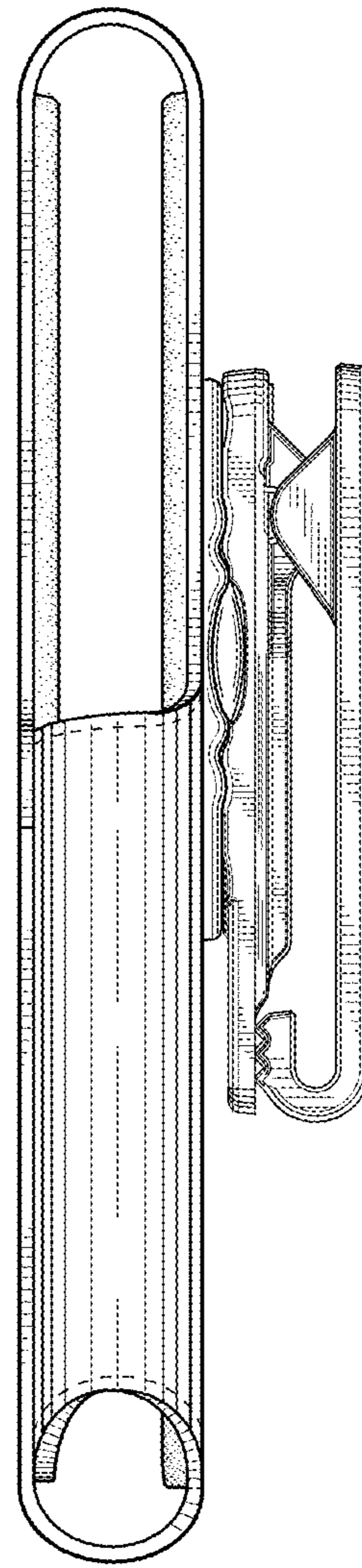


FIG. 14

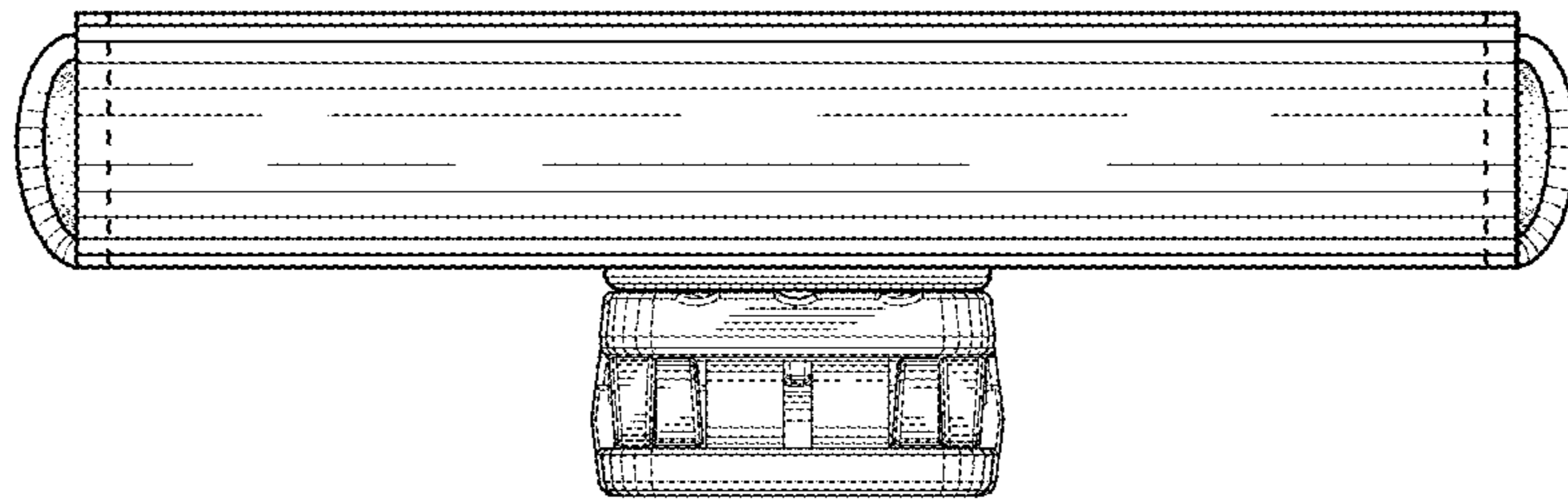


FIG. 15

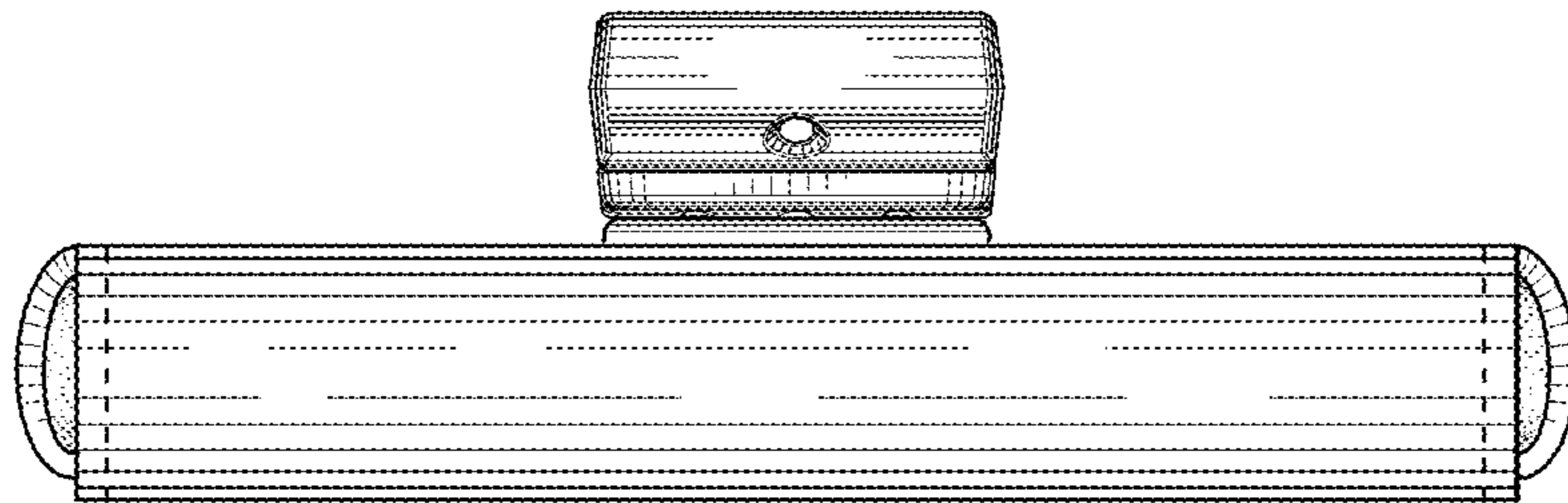


FIG. 16