



US00D757422S

(12) **United States Design Patent**
Johnson

(10) **Patent No.:** **US D757,422 S**

(45) **Date of Patent:** **** May 31, 2016**

(54) **KEY POCKET**

(71) Applicant: **Kevin Van Johnson**, Skipwith, VA (US)

(72) Inventor: **Kevin Van Johnson**, Skipwith, VA (US)

(**) Term: **15 Years**

(21) Appl. No.: **29/529,244**

(22) Filed: **Jun. 4, 2015**

(51) **LOC (10) Cl.** **03-01**

(52) **U.S. Cl.**
USPC **D3/212**

(58) **Field of Classification Search**

USPC D3/207-212; 70/456 B, 457, 458, 408,
70/456 R; D13/168; D8/347; D10/104;
D14/496; 206/37.1

CPC H04B 1/034; F04B 15/00
See application file for complete search history.

(56) **References Cited**

U.S. PATENT DOCUMENTS

1,889,471 A * 11/1932 Glaenzer A45D 33/26
132/295
2,854,132 A * 9/1958 Bjerknes A45C 11/32
206/37

D374,765 S * 10/1996 Jones D3/212
D388,953 S * 1/1998 Hartman D3/212
D397,866 S * 9/1998 Hartmann D3/212
D401,054 S * 11/1998 Hartmann D3/212
6,591,646 B1 * 7/2003 Huang A44B 15/005
24/3.6

* cited by examiner

Primary Examiner — Ralf Seifert

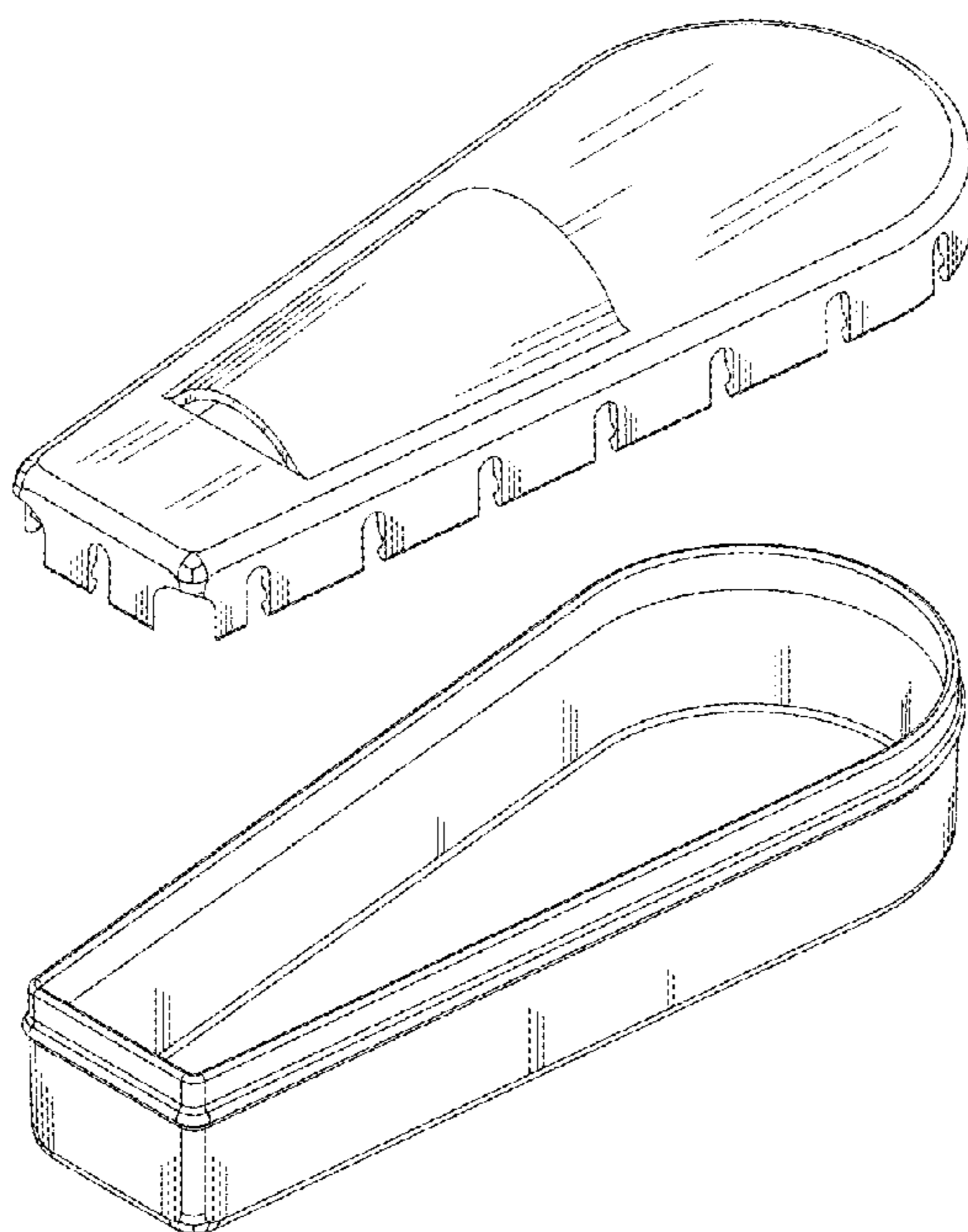
(57) **CLAIM**

The ornamental design for a key pocket, as shown and described.

DESCRIPTION

FIG. 1 is a perspective view of key pocket;
FIG. 2 is a front elevational view thereof;
FIG. 3 is a rear elevational view thereof;
FIG. 4 is a left side elevational view thereof;
FIG. 5 is a right side elevational view thereof;
FIG. 6 is a top plan view thereof;
FIG. 7 is a bottom plan view thereof; and,
FIG. 8 is an exploded view thereof.

1 Claim, 8 Drawing Sheets



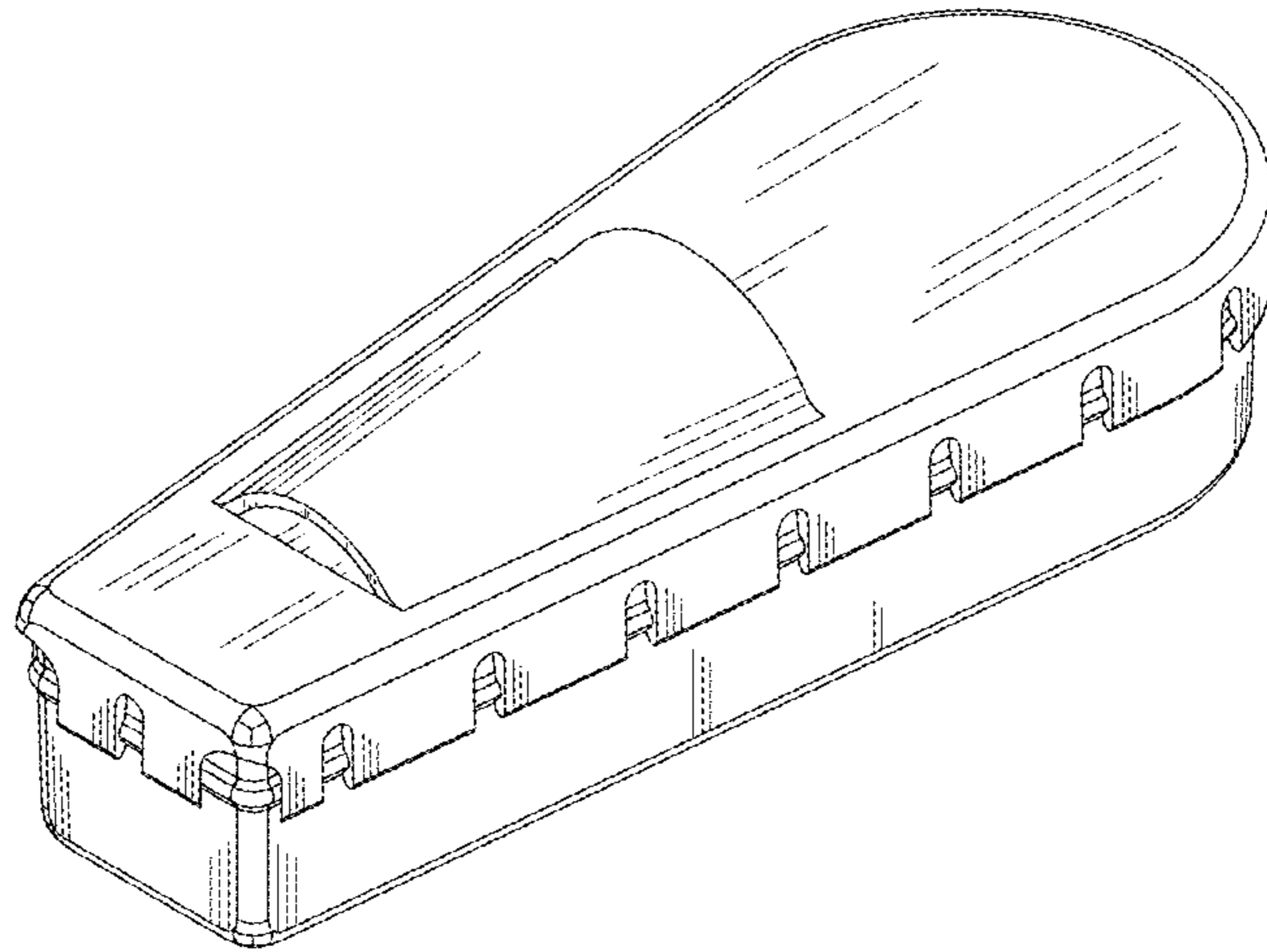


FIG. 1

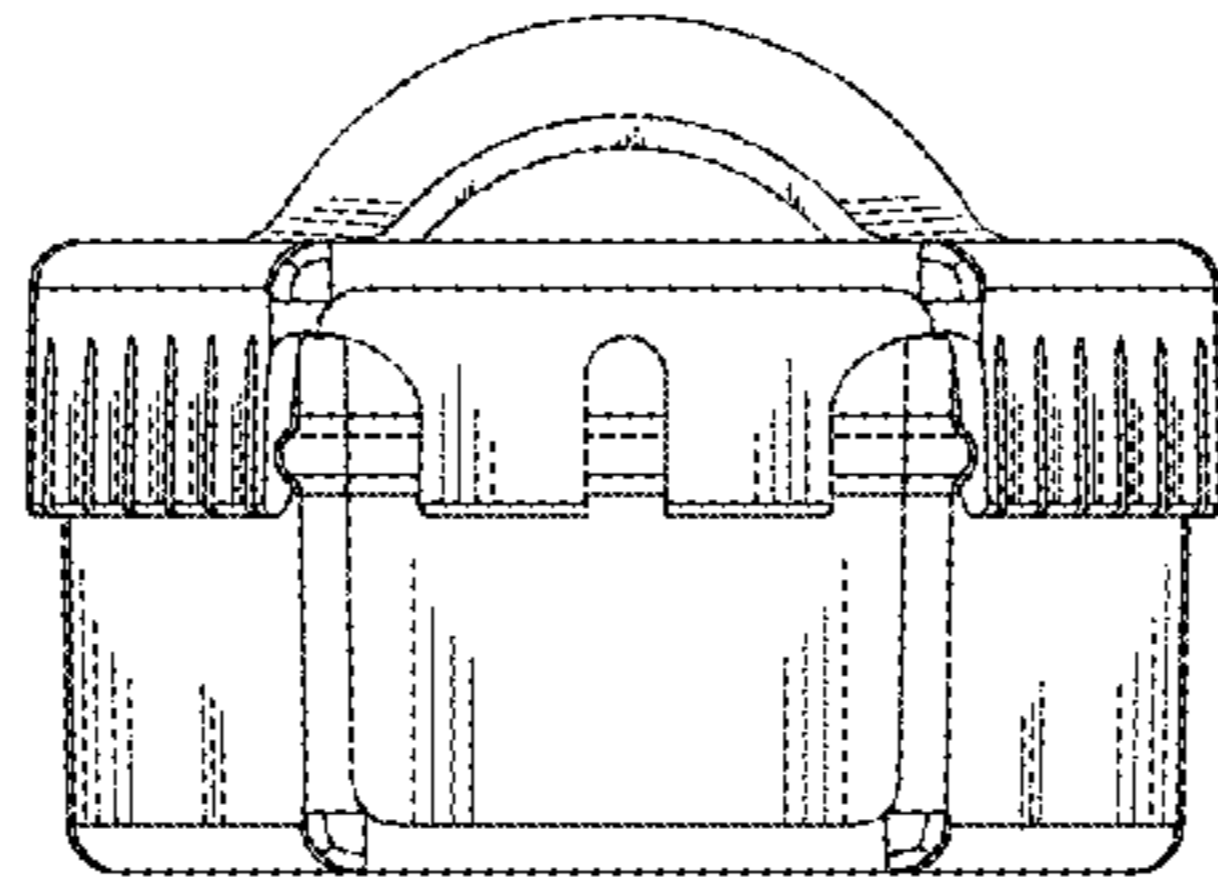


FIG. 2

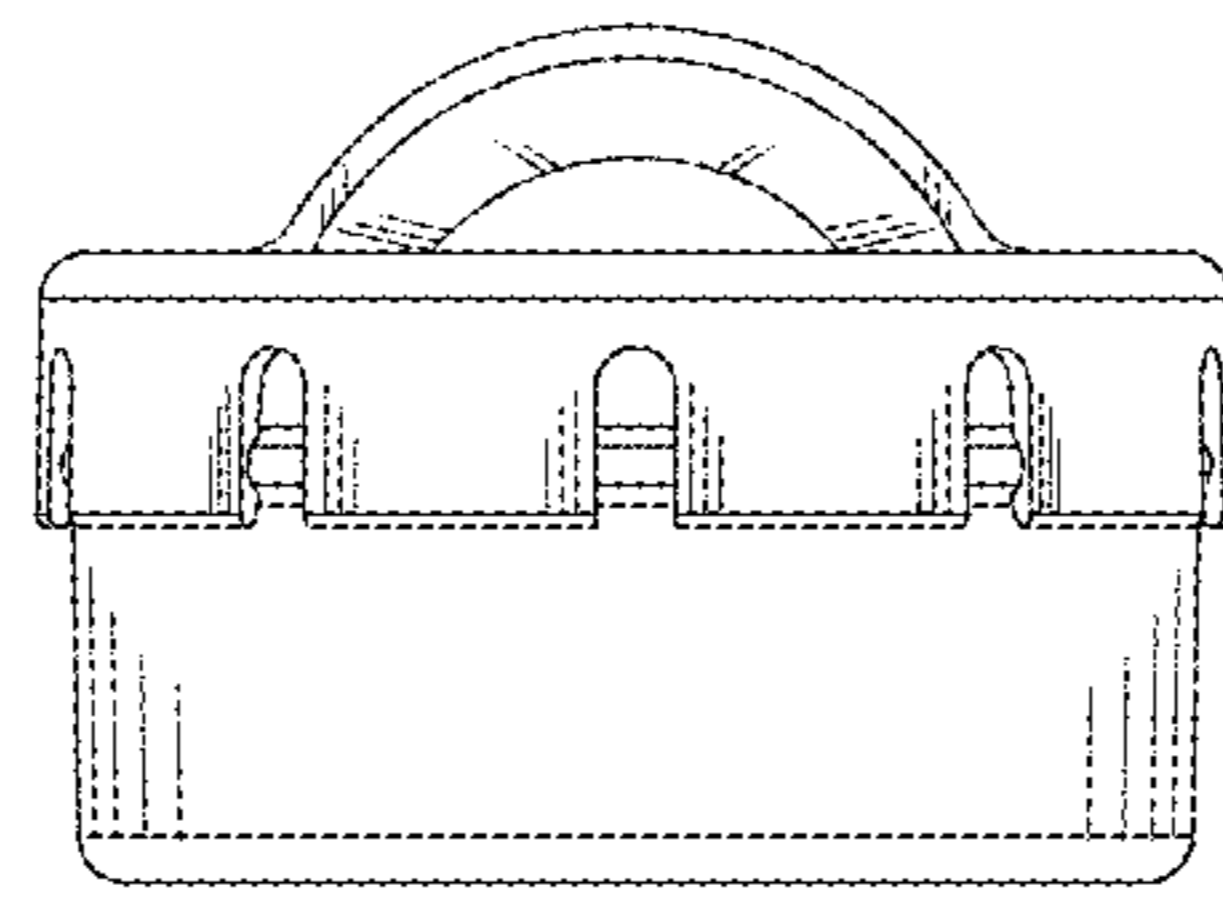


FIG. 3

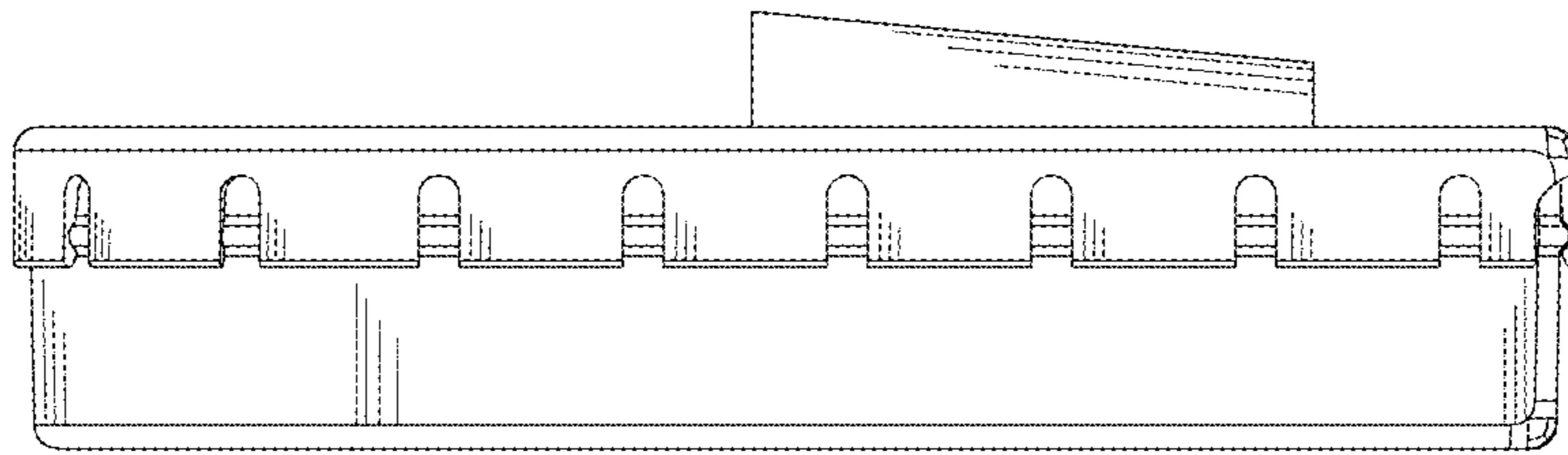


FIG. 4

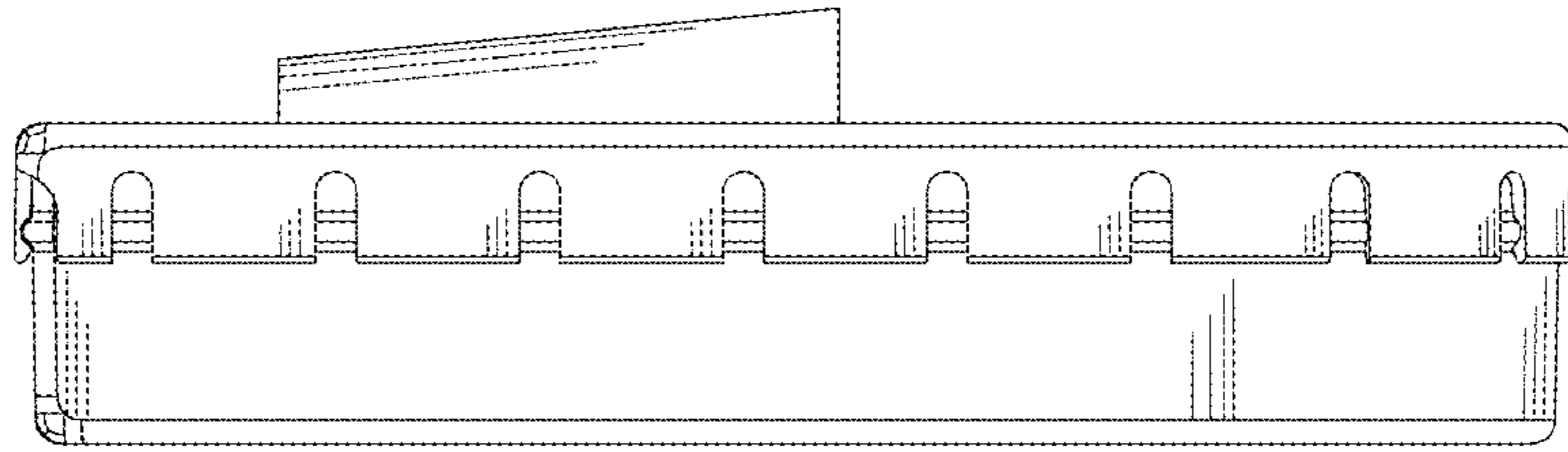


FIG. 5

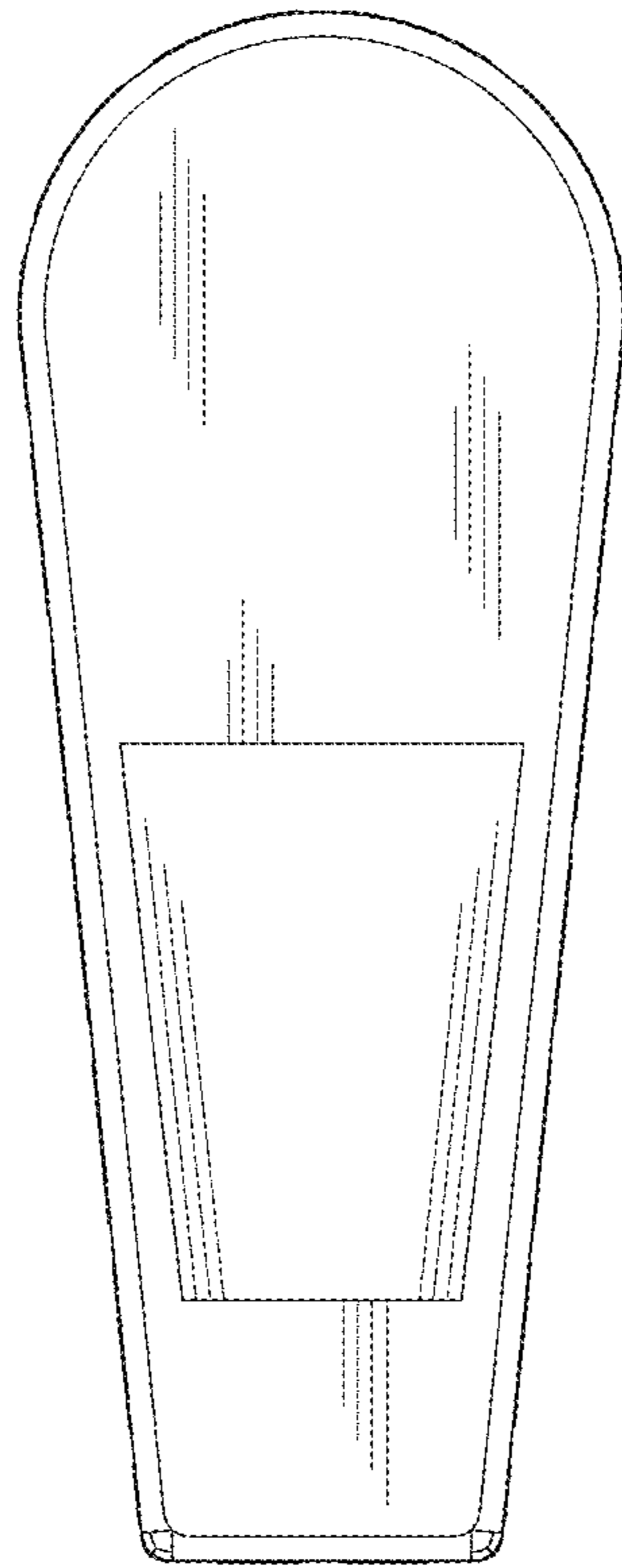


FIG. 6

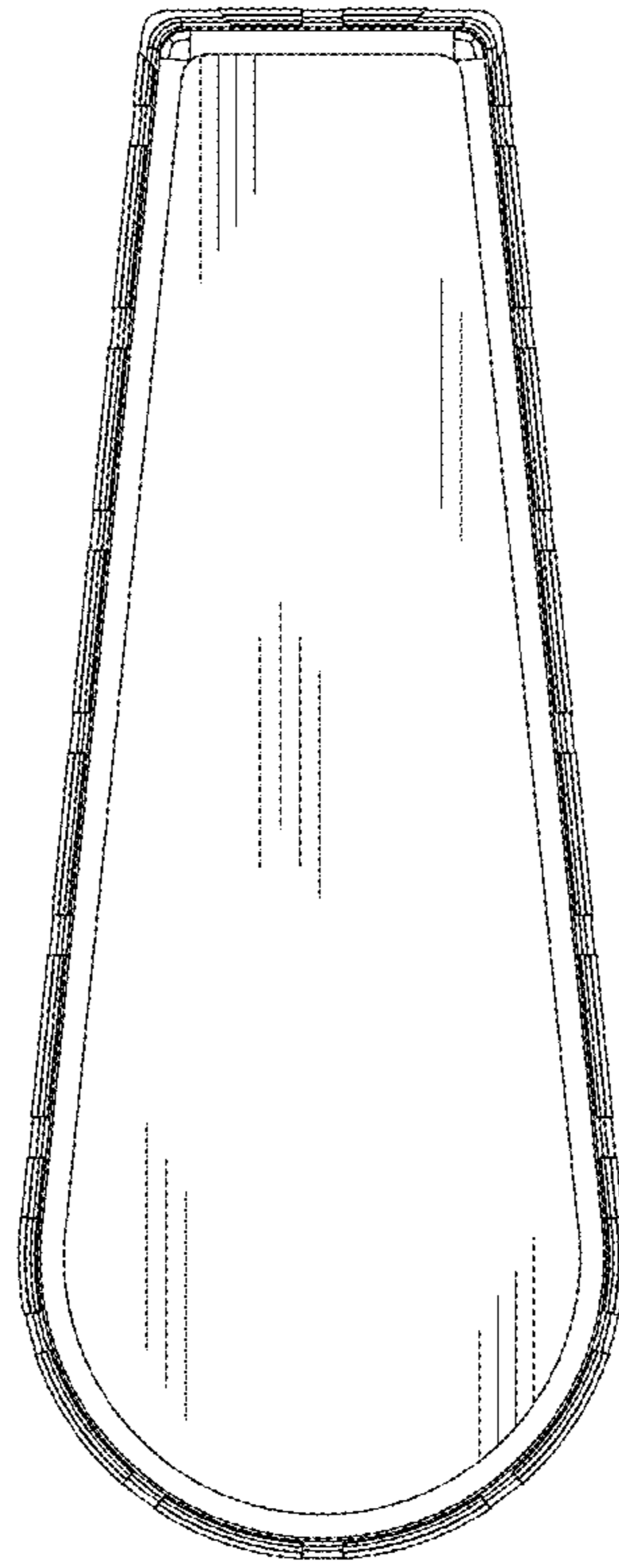


FIG. 7

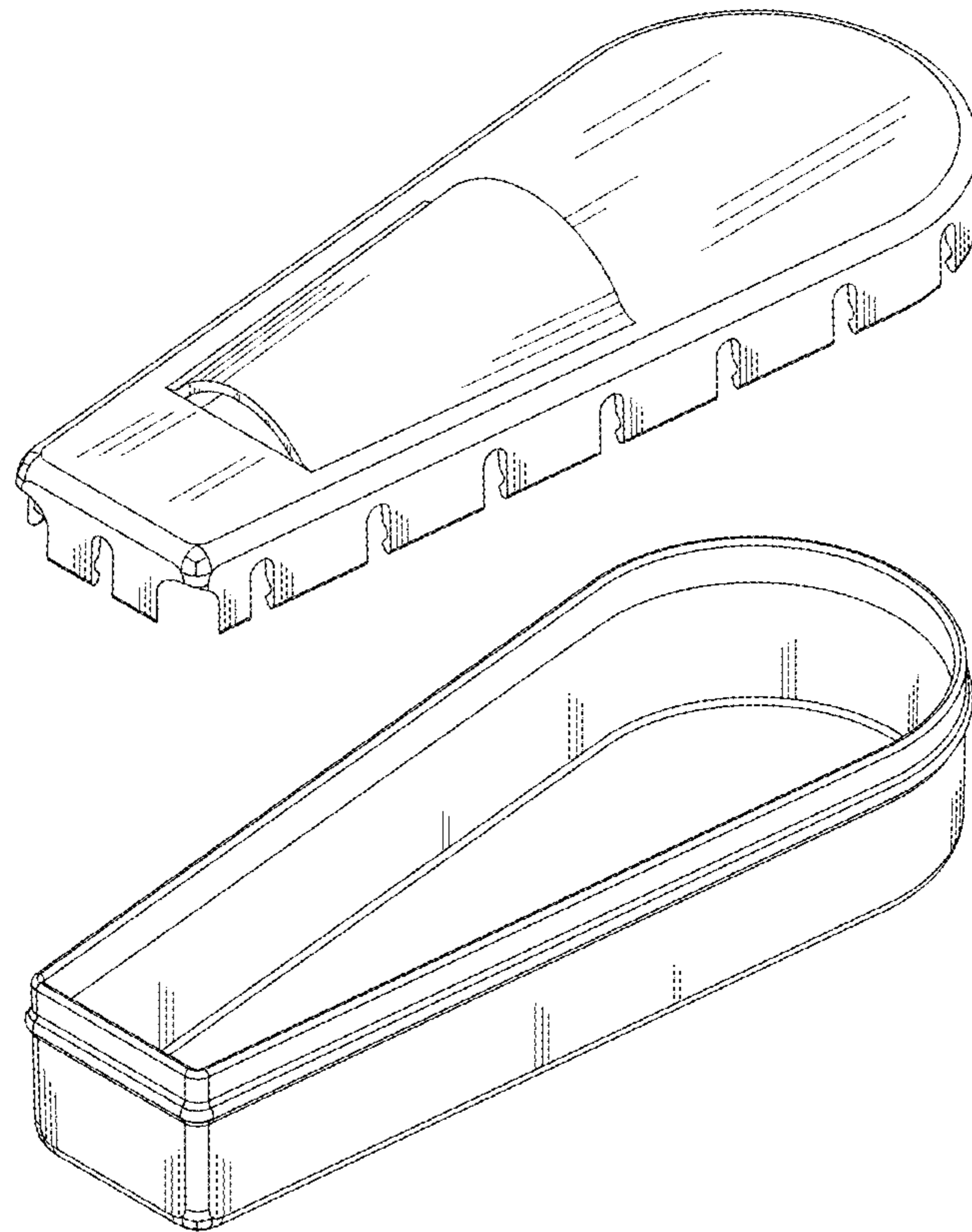


FIG. 8