



US00D757421S

(12) **United States Design Patent**  
**Chaloux et al.**

(10) **Patent No.:** **US D757,421 S**  
(45) **Date of Patent:** **\*\* May 31, 2016**

- (54) **DETACHABLE UMBRELLA MOUNT**
- (71) Applicant: **Shade Cooler LLC**, Milton, GA (US)
- (72) Inventors: **Michael Chaloux**, Milton, GA (US);  
**Leo Mustaki**, Milton, GA (US)
- (73) Assignee: **Shade Cooler LLC**, Milton, GA (US)
- (\*\*) Term: **14 Years**
- (21) Appl. No.: **29/518,385**
- (22) Filed: **Feb. 23, 2015**
- (51) **LOC (10) Cl.** ..... **03-03**
- (52) **U.S. Cl.**  
USPC ..... **D3/10**
- (58) **Field of Classification Search**  
USPC ..... D3/5, 6, 10, 11, 12, 14, 16; D7/603,  
D7/604  
CPC ..... A47B 65/00; A47B 61/00; A47B 31/06;  
A47B 5/06; A47B 37/04; A47B 3/12; F16B  
12/52; A01K 97/10; A47G 33/12; F25D 3/08;  
B60B 35/109; B62B 5/0083  
See application file for complete search history.

(56) **References Cited**

**U.S. PATENT DOCUMENTS**

- 4,296,693 A \* 10/1981 Archer ..... E04H 12/2246  
108/28
- 4,789,200 A \* 12/1988 Munguia ..... A47C 7/66  
211/208
- 5,152,495 A \* 10/1992 Jacinto ..... E04H 12/223  
135/98
- 5,480,170 A \* 1/1996 Kaiser, II ..... A47B 31/02  
108/80
- 6,199,819 B1 \* 3/2001 Churillo ..... A45B 11/00  
135/16
- 6,374,839 B2 \* 4/2002 Patarra ..... A45B 3/00  
135/16
- 6,435,469 B1 \* 8/2002 Ratcliff ..... A45F 5/00  
248/213.2
- D464,190 S \* 10/2002 Salahub ..... D3/10

- 6,474,097 B2 \* 11/2002 Treppedi ..... A45C 11/20  
280/30
- 6,536,733 B1 \* 3/2003 Sharp ..... A45B 11/00  
248/519
- 6,554,012 B2 \* 4/2003 Patarra ..... A45B 3/00  
135/16
- 6,708,703 B1 \* 3/2004 Rivers ..... A45B 11/00  
135/16
- 6,796,319 B1 \* 9/2004 Patarra ..... A45B 11/00  
108/138
- D514,891 S \* 2/2006 Garcia ..... D7/605
- 6,993,931 B1 \* 2/2006 Hamilton ..... A45B 23/00  
62/371

(Continued)

**OTHER PUBLICATIONS**

U.S. Appl. No. 14/629,179, Shade Cooler LLC.

*Primary Examiner* — John Windmuller

*Assistant Examiner* — Steven Czyz

(74) *Attorney, Agent, or Firm* — Sutherland Asbill & Brennan LLP

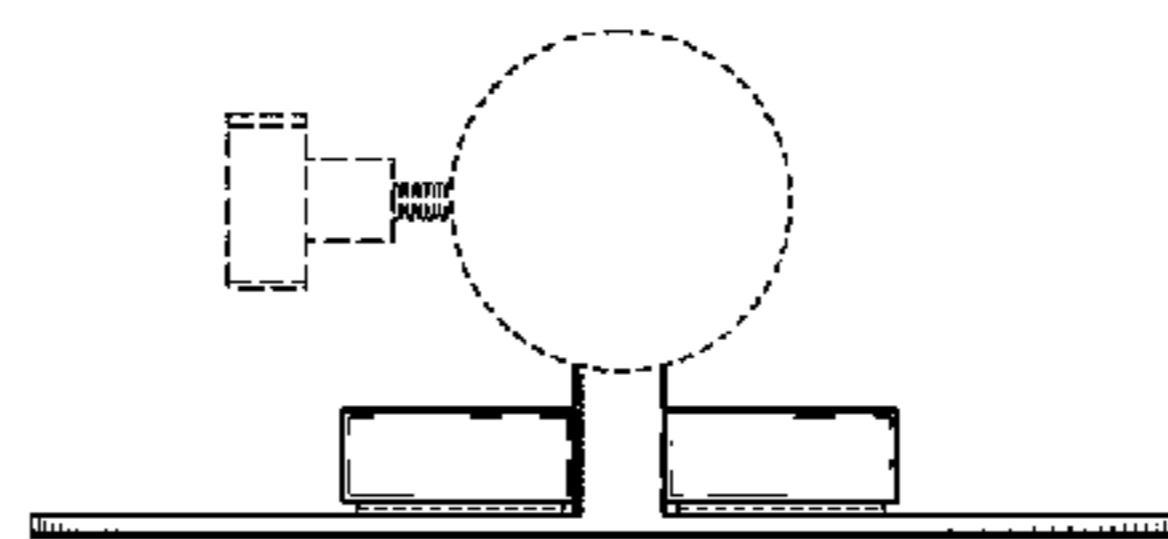
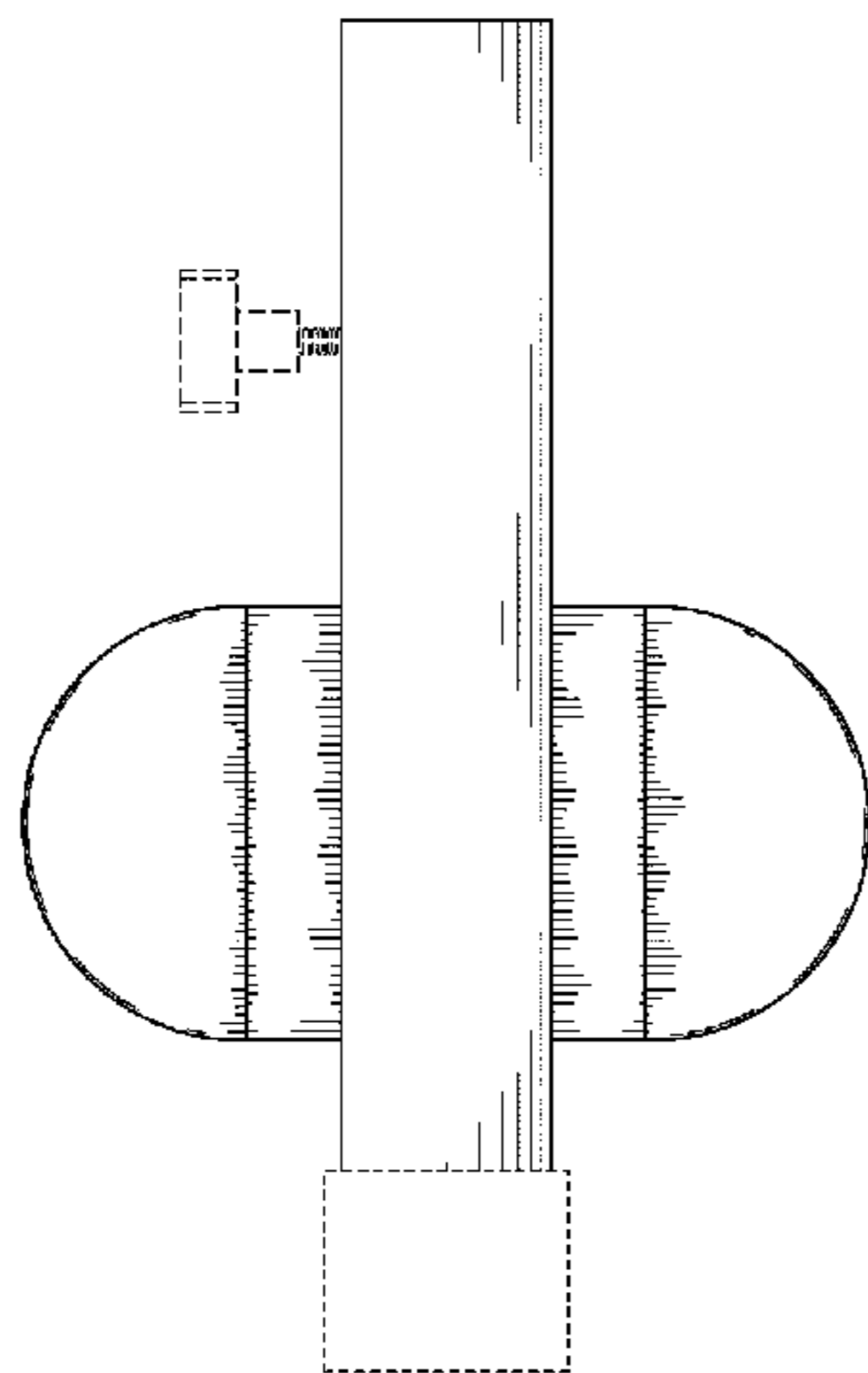
(57) **CLAIM**

The ornamental design for a detachable umbrella mount, as shown and described.

**DESCRIPTION**

FIG. 1 is a front view of a detachable umbrella mount according to our new design;  
 FIG. 2 is top view thereof;  
 FIG. 3 is a bottom view thereof;  
 FIG. 4 is a rear view thereof;  
 FIG. 5 is a first side view thereof;  
 FIG. 6 is a second side view thereof;  
 FIG. 7 is a partial forward top perspective view thereof, shown in use;  
 FIG. 8 is a front view thereof, shown in use;  
 FIG. 9 is a right side view thereof, shown in use; and,  
 FIG. 10 is a left side view thereof, shown in use.  
 The broken lines depict environment and portions of the article that form no part of the claimed design.

**1 Claim, 7 Drawing Sheets**



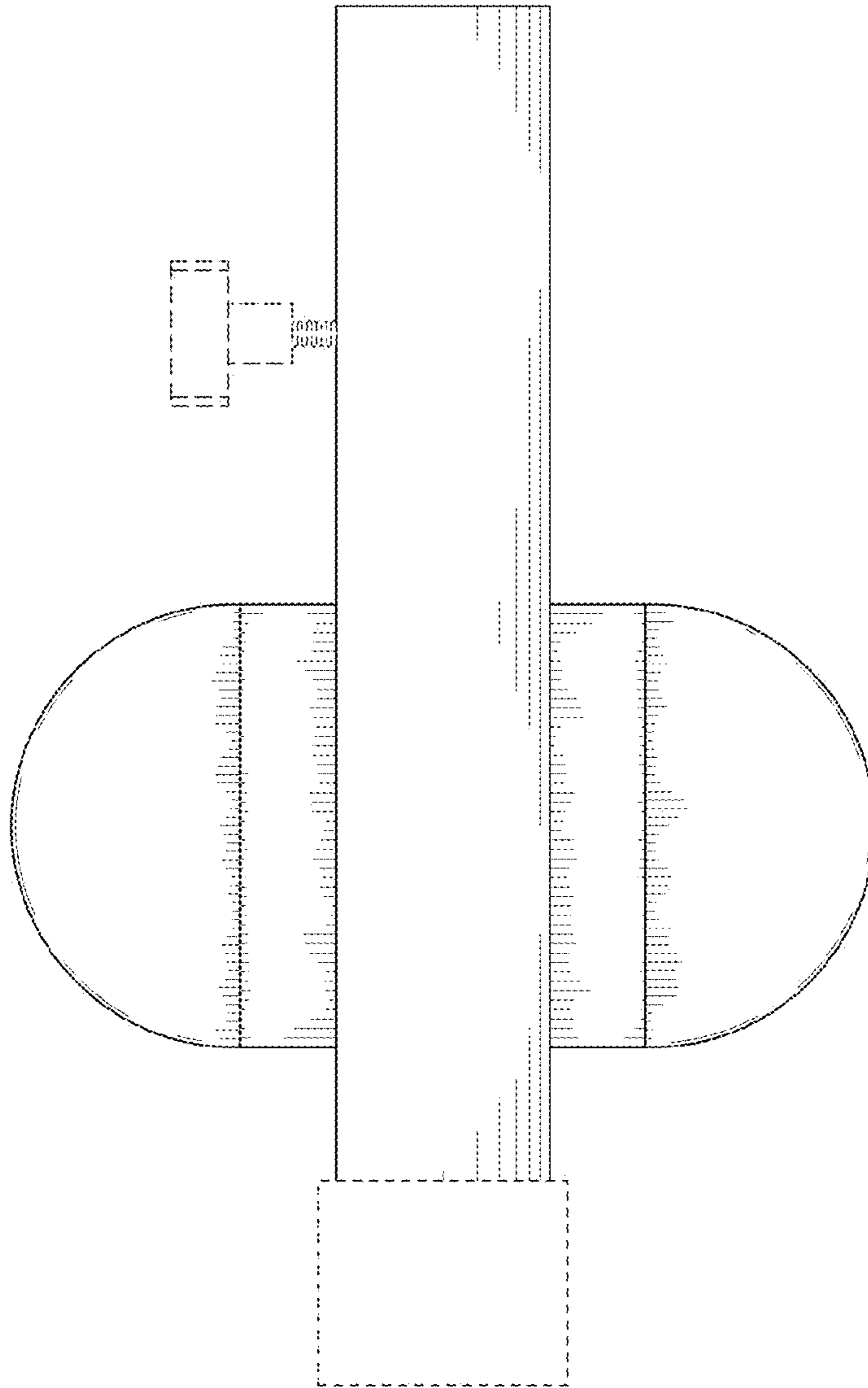
(56)

**References Cited**

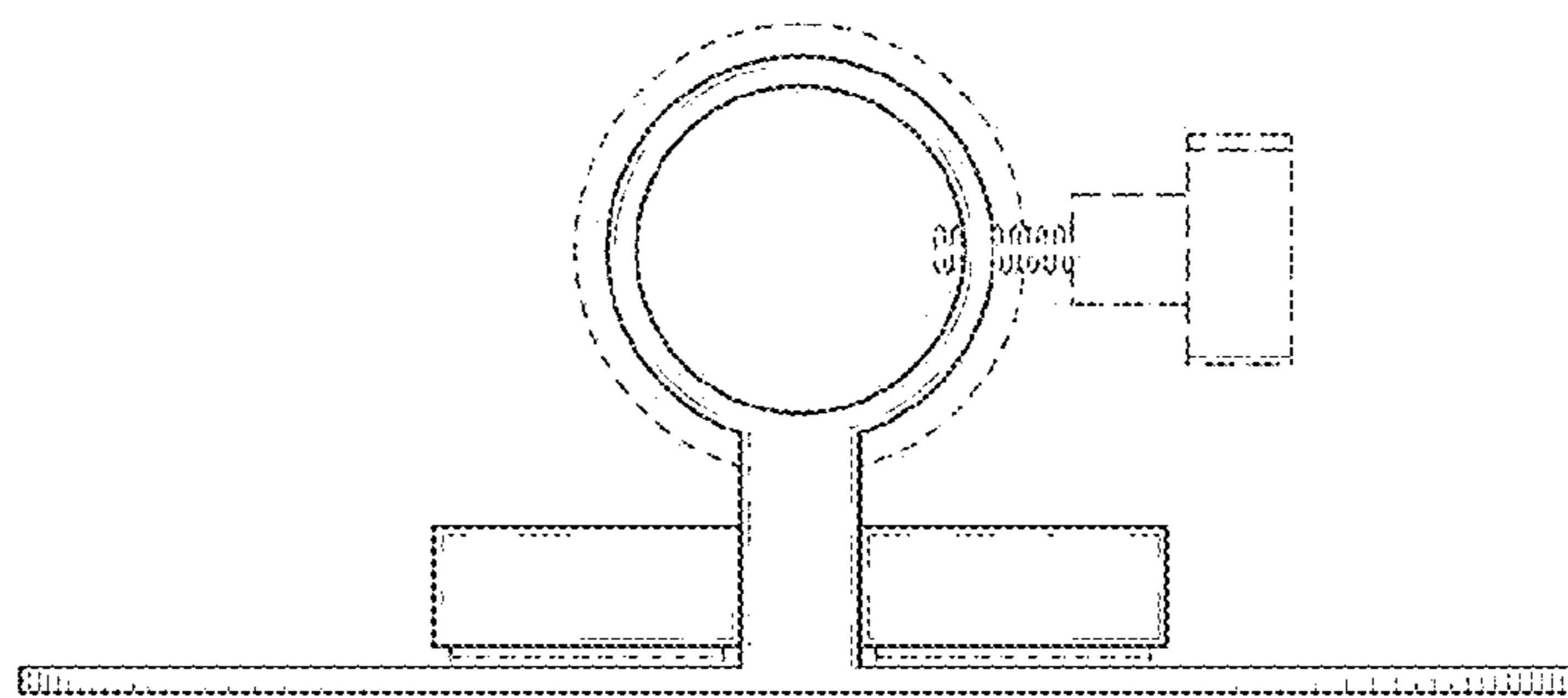
U.S. PATENT DOCUMENTS

7,140,507 B2 *	11/2006	Maldonado .....	A45C 11/20 220/23.83	2001/0013358 A1 *	8/2001	Patarra .....	A45B 3/00 135/16
7,143,601 B1 *	12/2006	Jimenez .....	F25D 23/12 135/16	2007/0096004 A1 *	5/2007	Quiambao, Jr. ....	A45B 11/00 248/534
D621,148 S *	8/2010	Brady .....	D3/10	2008/0111046 A1 *	5/2008	Tung .....	A45B 17/00 248/521
D621,149 S *	8/2010	Brady .....	D3/10	2012/0168598 A1 *	7/2012	Walker .....	B60R 7/12 248/539
D674,245 S *	1/2013	Williams, Jr. ....	D7/605	2014/0084012 A1	3/2014	LeAnna	
8,714,511 B2 *	5/2014	Zoeteman .....	A45B 23/00 135/16	2014/0263926 A1 *	9/2014	LeAnna .....	E04H 12/2284 248/518

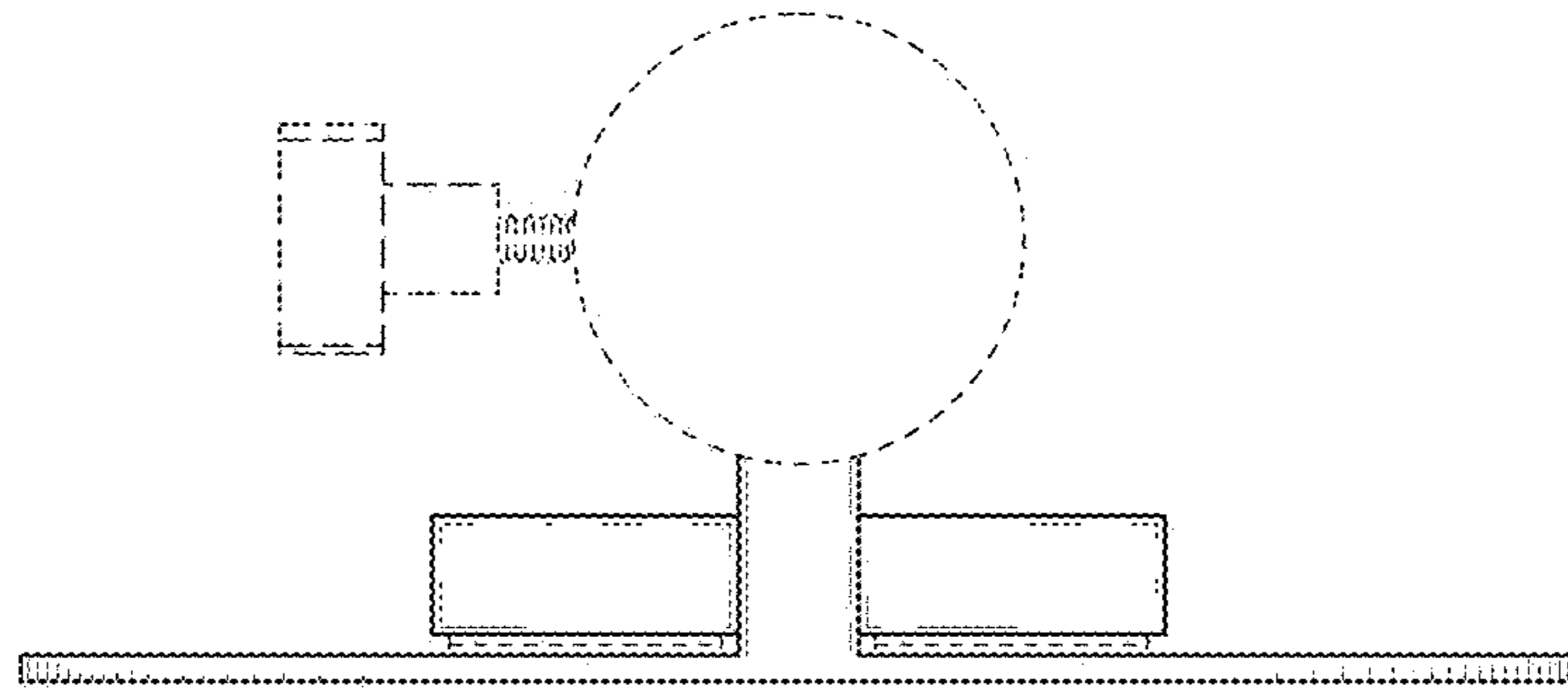
\* cited by examiner



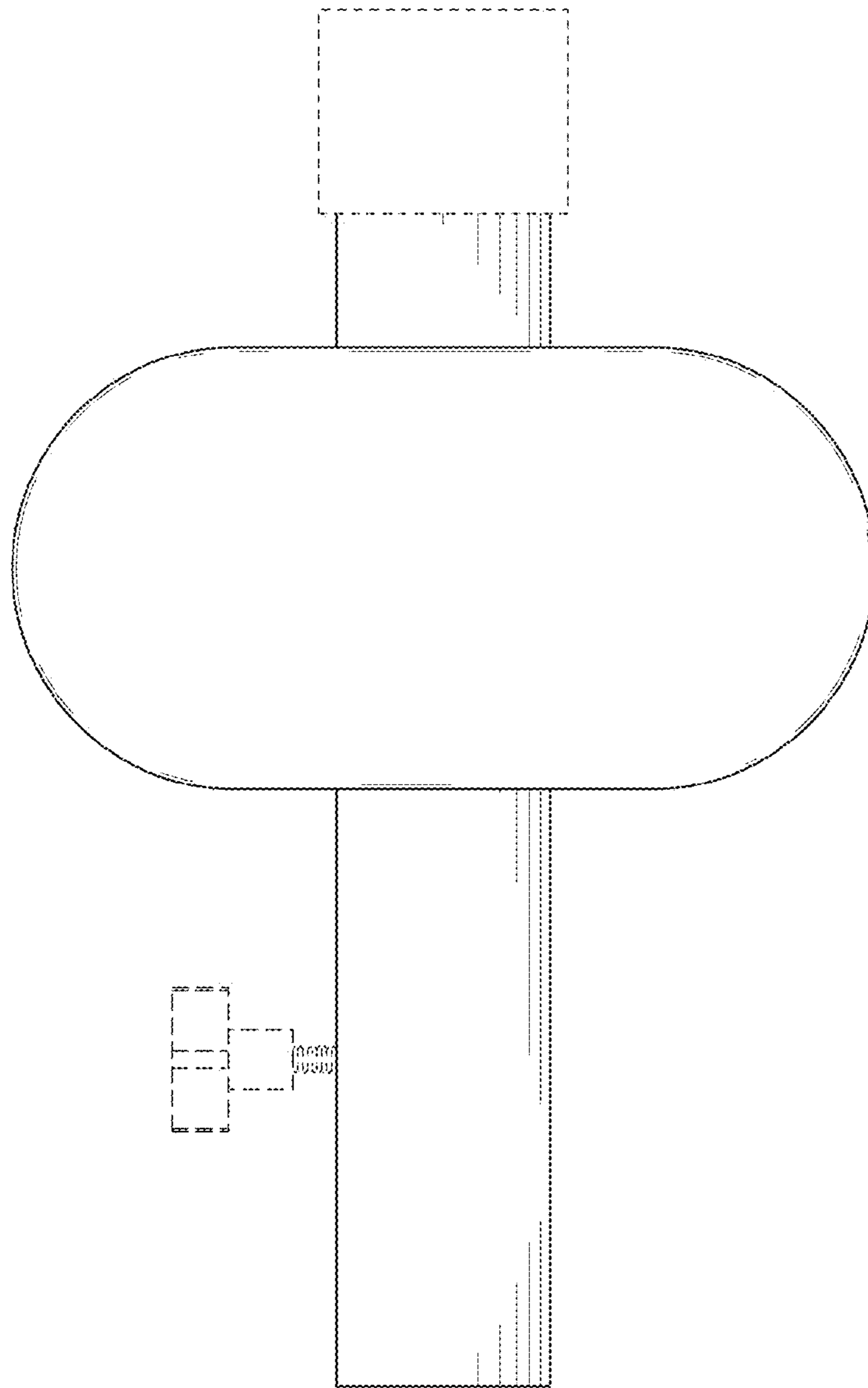
**FIG. 1**



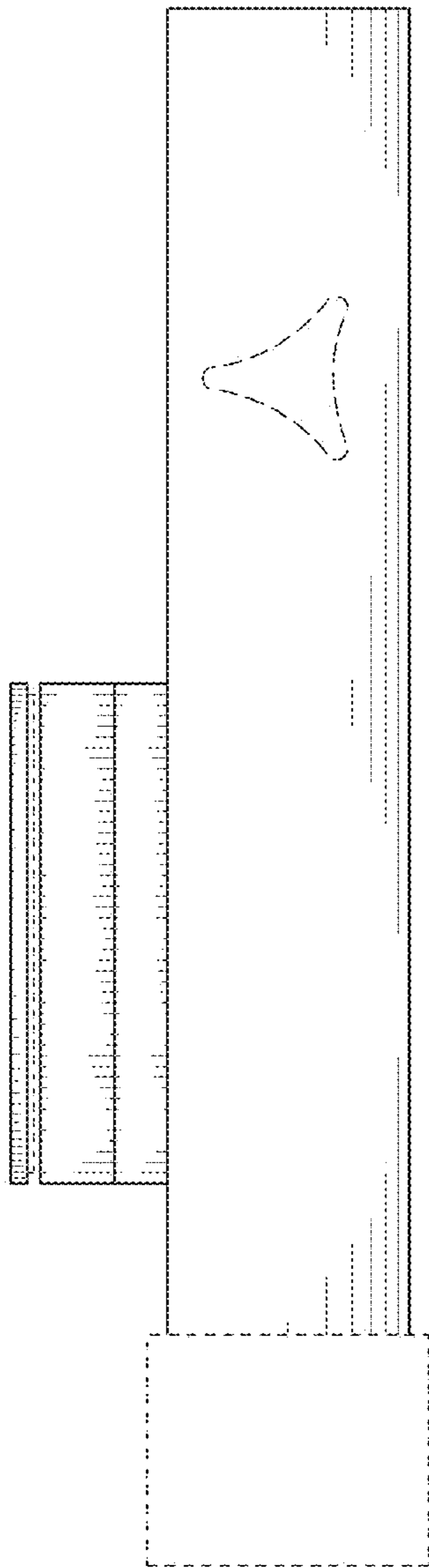
**FIG. 2**



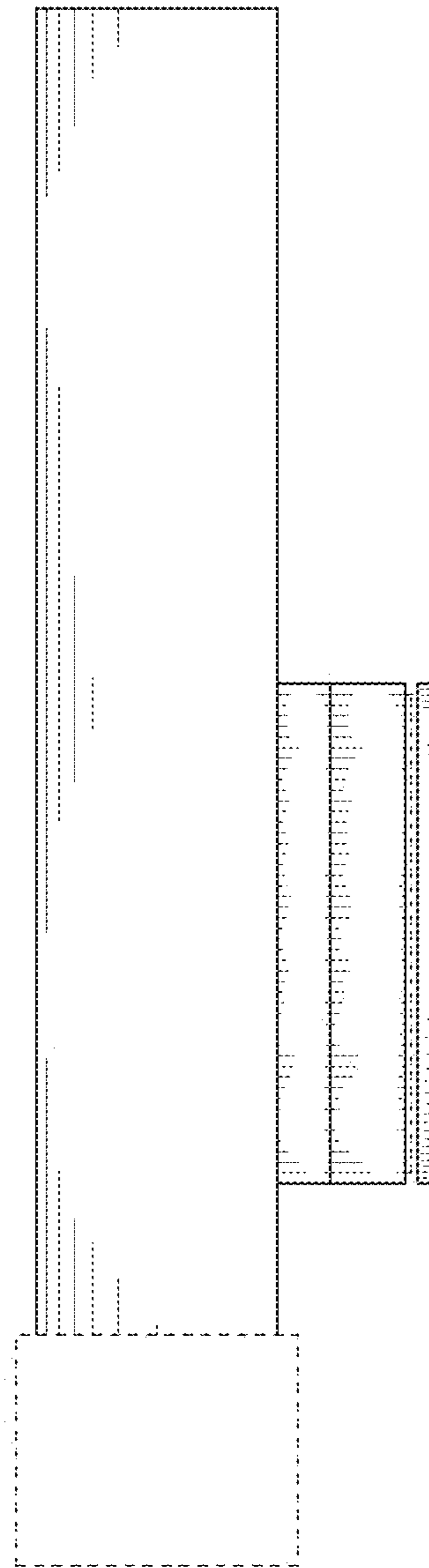
**FIG. 3**



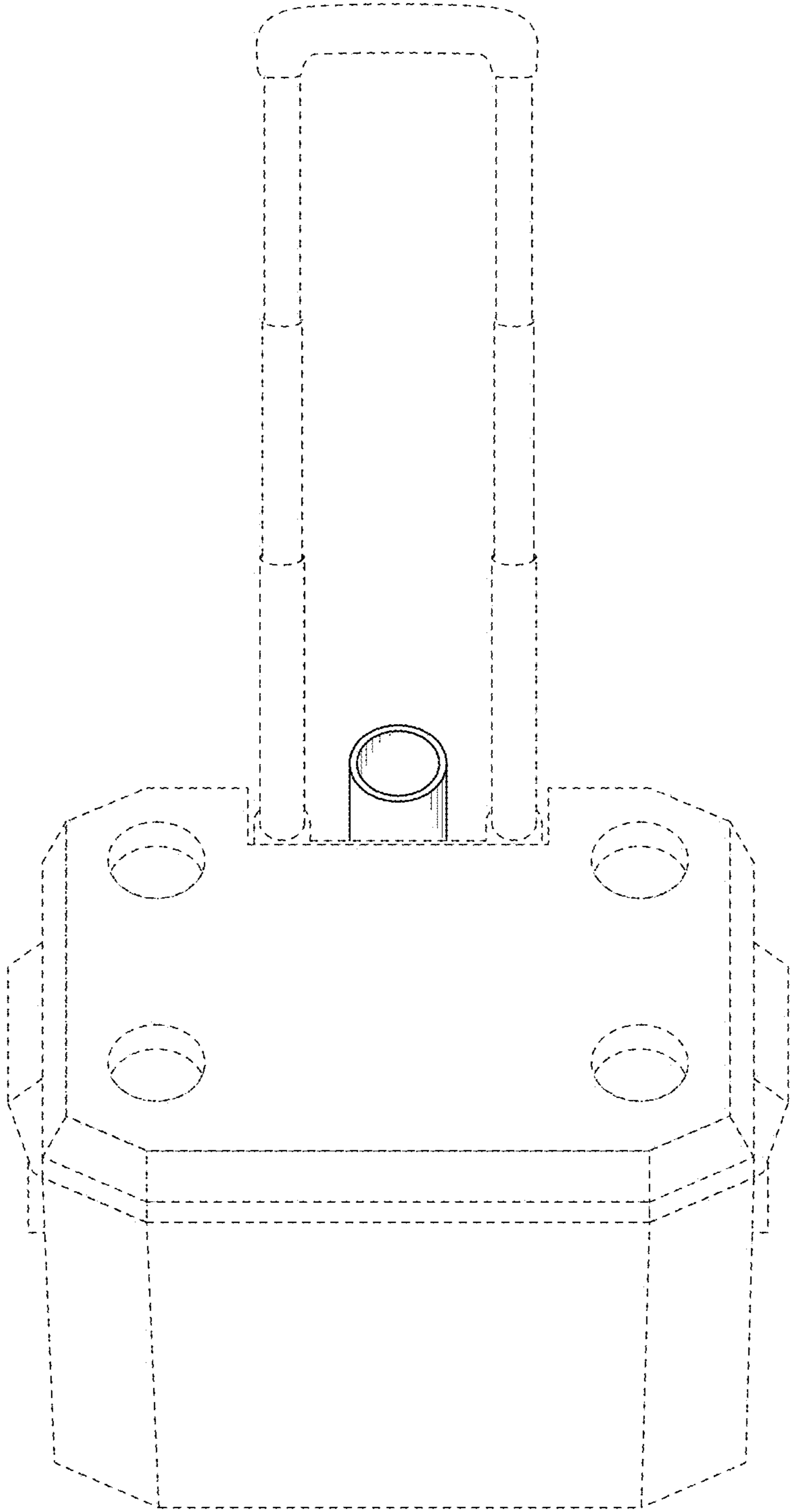
**FIG. 4**



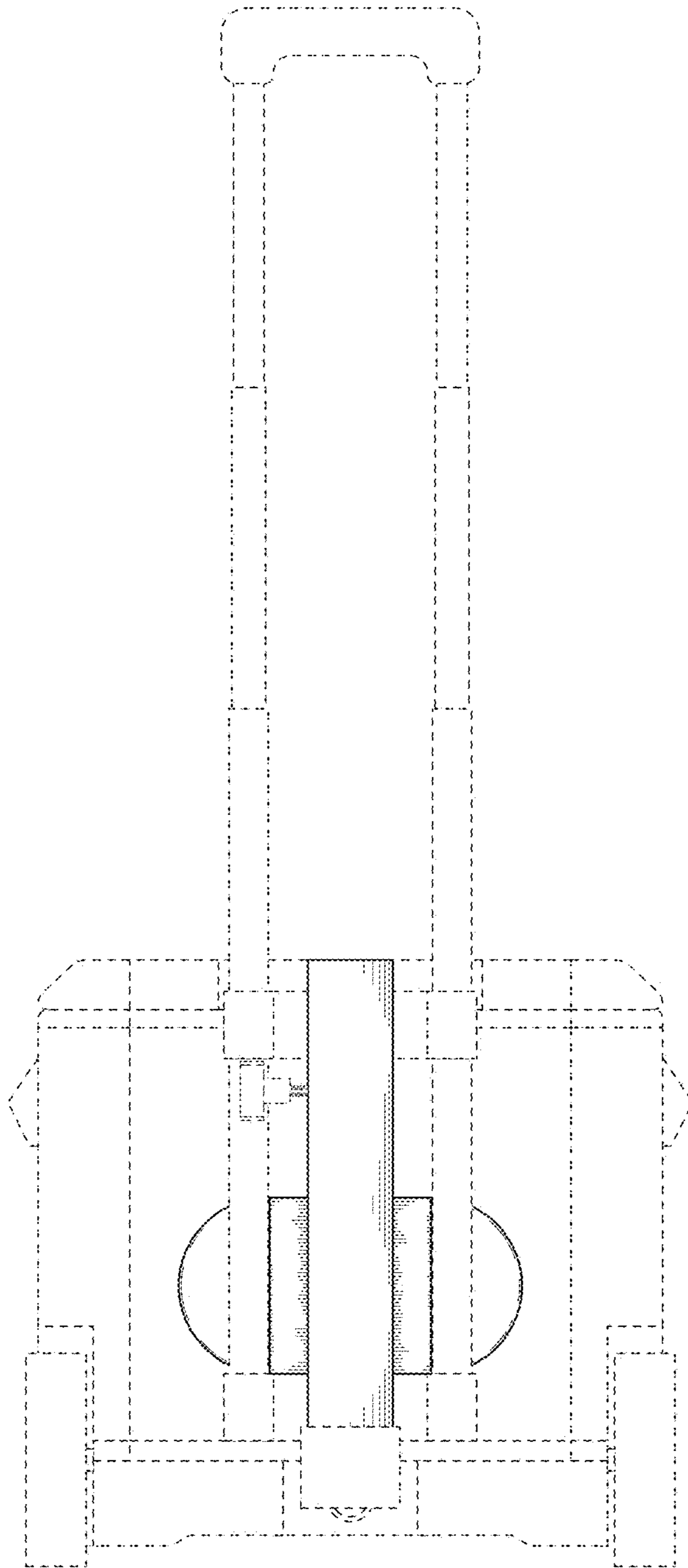
**FIG. 5**



**FIG. 6**

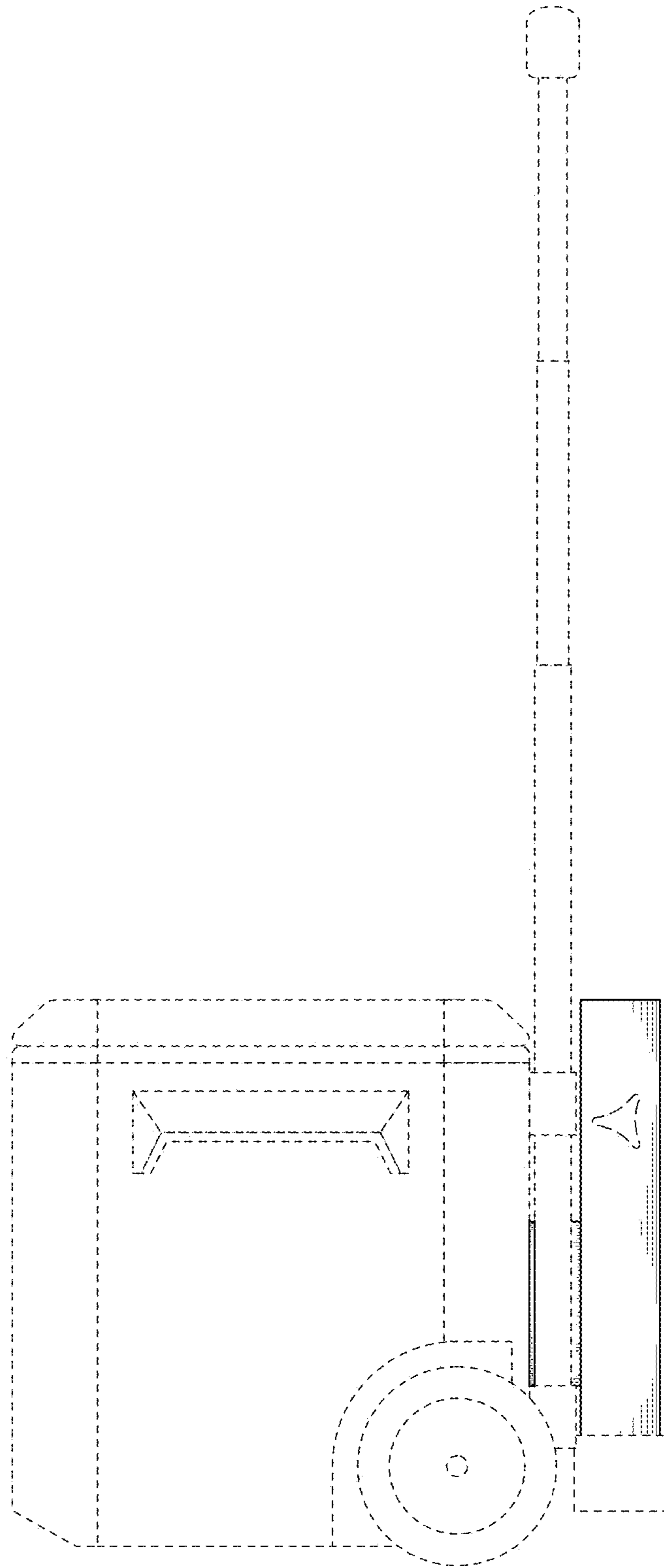


**FIG. 7**



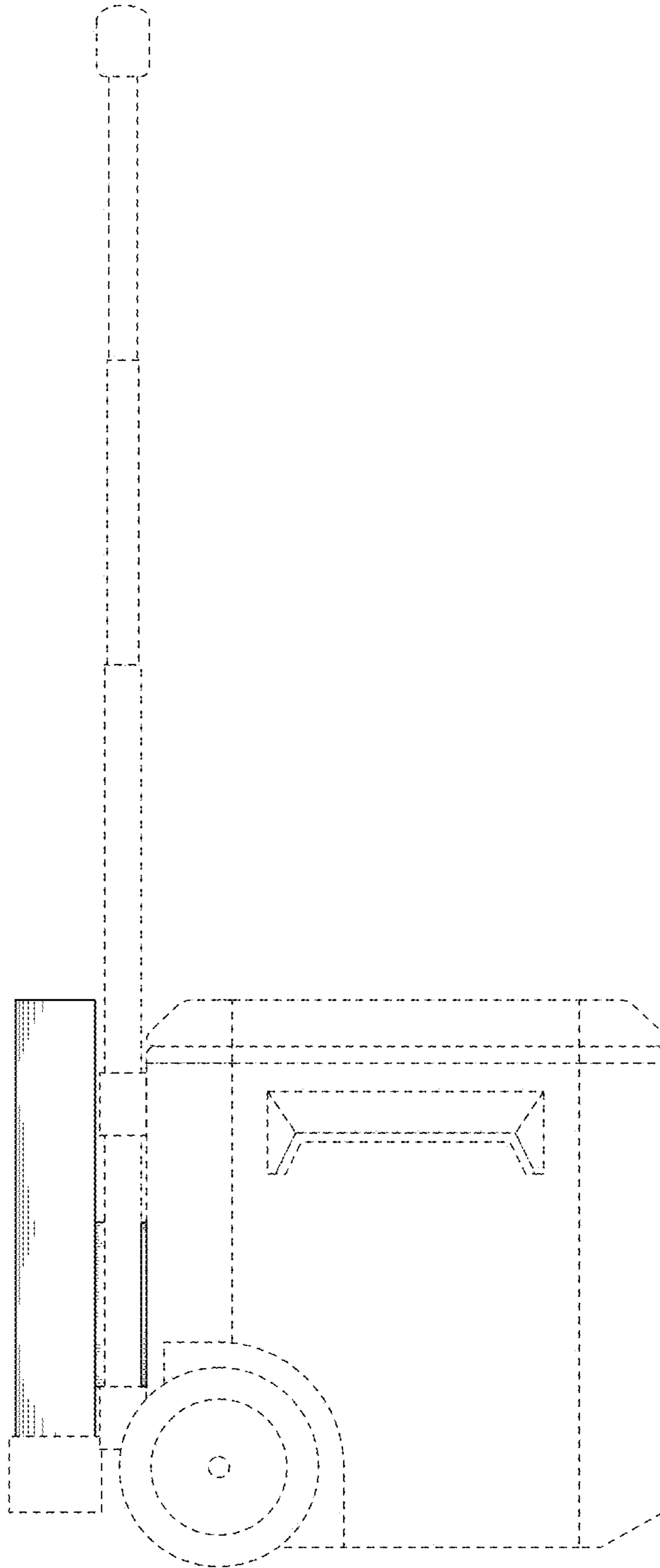
**FIG. 8**





**FIG. 9**





**FIG. 10**