



US00D757405S

(12) **United States Design Patent**
Labarbera

(10) **Patent No.:** **US D757,405 S**
(45) **Date of Patent:** **** May 31, 2016**

(54) **FOOTWEAR UPPER**

D506,595 S * 6/2005 Rimple D2/916
D565,834 S * 4/2008 Hearn D2/916
D736,502 S * 8/2015 Helwig D2/916

(71) Applicant: **Deckers Outdoor Corporation**, Goleta,
CA (US)

(72) Inventor: **Paul Labarbera**, Santa Barbara, CA
(US)

(73) Assignee: **Deckers Outdoor Corporation**, Goleta,
CA (US)

(**) Term: **15 Years**

(21) Appl. No.: **29/528,361**

(22) Filed: **May 28, 2015**

(51) **LOC (10) Cl.** **02-04**

(52) **U.S. Cl.**
USPC **D2/916**

(58) **Field of Classification Search**
USPC D2/896-900, 903, 916-925, 943, 946,
D2/969, 971, 976; 36/7.3, 7.5, 7.6, 11.5,
36/58.5

CPC A43B 3/12; A43B 7/142; A43B 3/26;
A43C 11/1493

See application file for complete search history.

(56) **References Cited**

U.S. PATENT DOCUMENTS

4,793,075	A	12/1988	Thatcher	
5,205,054	A *	4/1993	York, Jr.	A43B 3/26 36/11.5
5,228,216	A *	7/1993	Sargeant	A43B 3/126 36/11.5
5,438,767	A *	8/1995	Stein	A43B 3/12 36/11.5
D363,814	S *	11/1995	Tsujino	D2/916
D376,895	S *	12/1996	Cook	D2/916
D446,918	S *	8/2001	Lamprou	D2/916
6,606,803	B1 *	8/2003	Ritter	A43B 3/126 36/11.5

OTHER PUBLICATIONS

TEVA The Sport Sandal 1993, mail order catalog, style "All-Terrain"
"Walkabout" and "Contour" styles; catalog published at least as early
as Jan. 1, 1994.

TEVA website, TEVA "Men's Original Universal" style, See Review
dated May 31, 2013, <http://www.teva.com/men-sandals/original-universal/1004006.html>.

* cited by examiner

Primary Examiner — Ian Simmons

Assistant Examiner — Rashida C Walshon

(74) *Attorney, Agent, or Firm* — Greer, Burns & Crain, Ltd.

(57) **CLAIM**

The ornamental design for a footwear upper, as shown and
described.

DESCRIPTION

FIG. 1 is a front perspective view of a footwear upper showing
my new design;

FIG. 2 is a front elevational view thereof;

FIG. 3 is a rear elevational view thereof;

FIG. 4 is a side elevational view thereof;

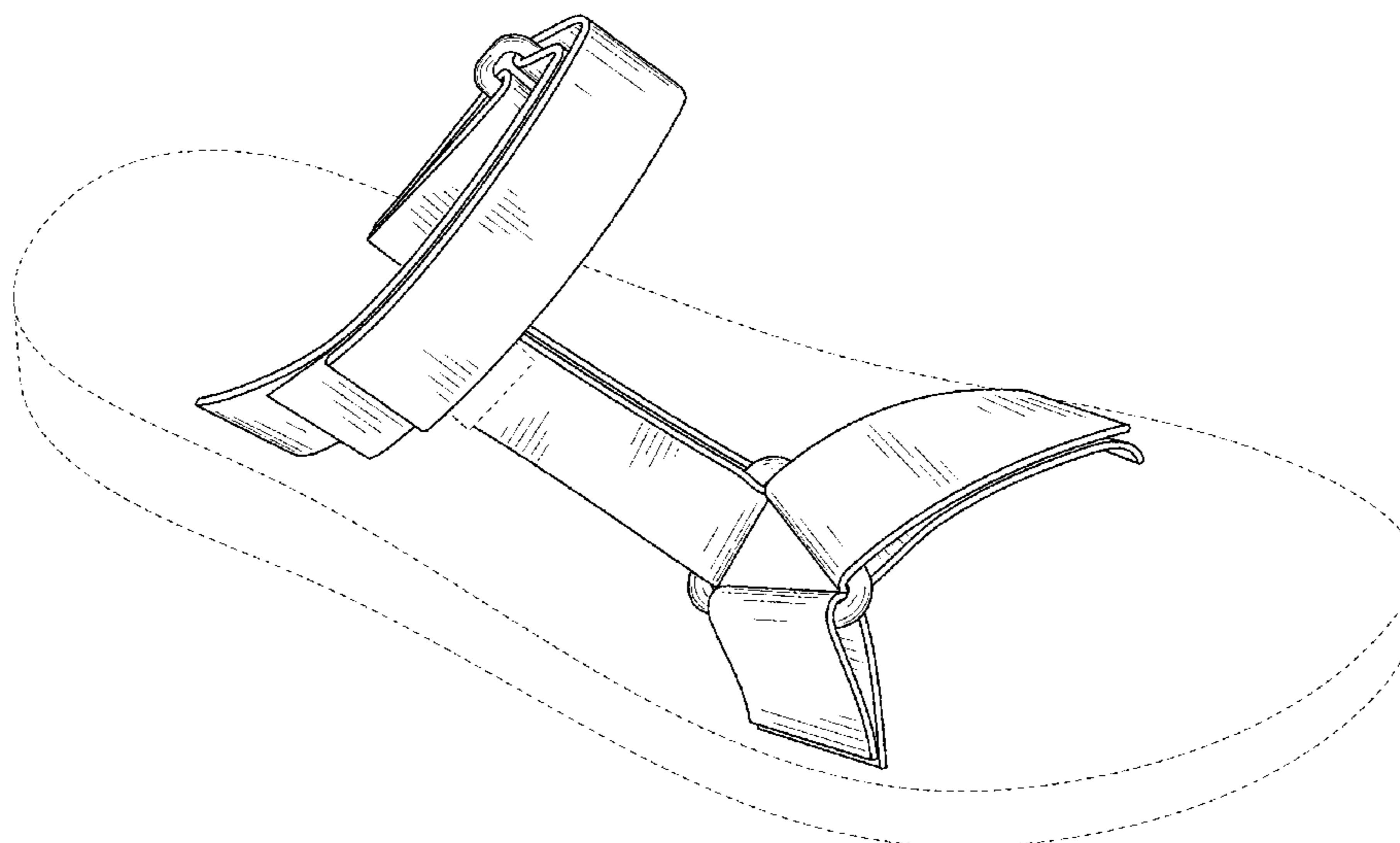
FIG. 5 is an opposite side elevational view thereof;

FIG. 6 is a top plan view thereof; and,

FIG. 7 is a bottom plan view thereof.

The broken lines in FIGS. 1-7 represent portions of the foot-
wear that form no part of the claimed design. The broken lines
which define the bounds of the claimed design form no part
thereof

1 Claim, 5 Drawing Sheets



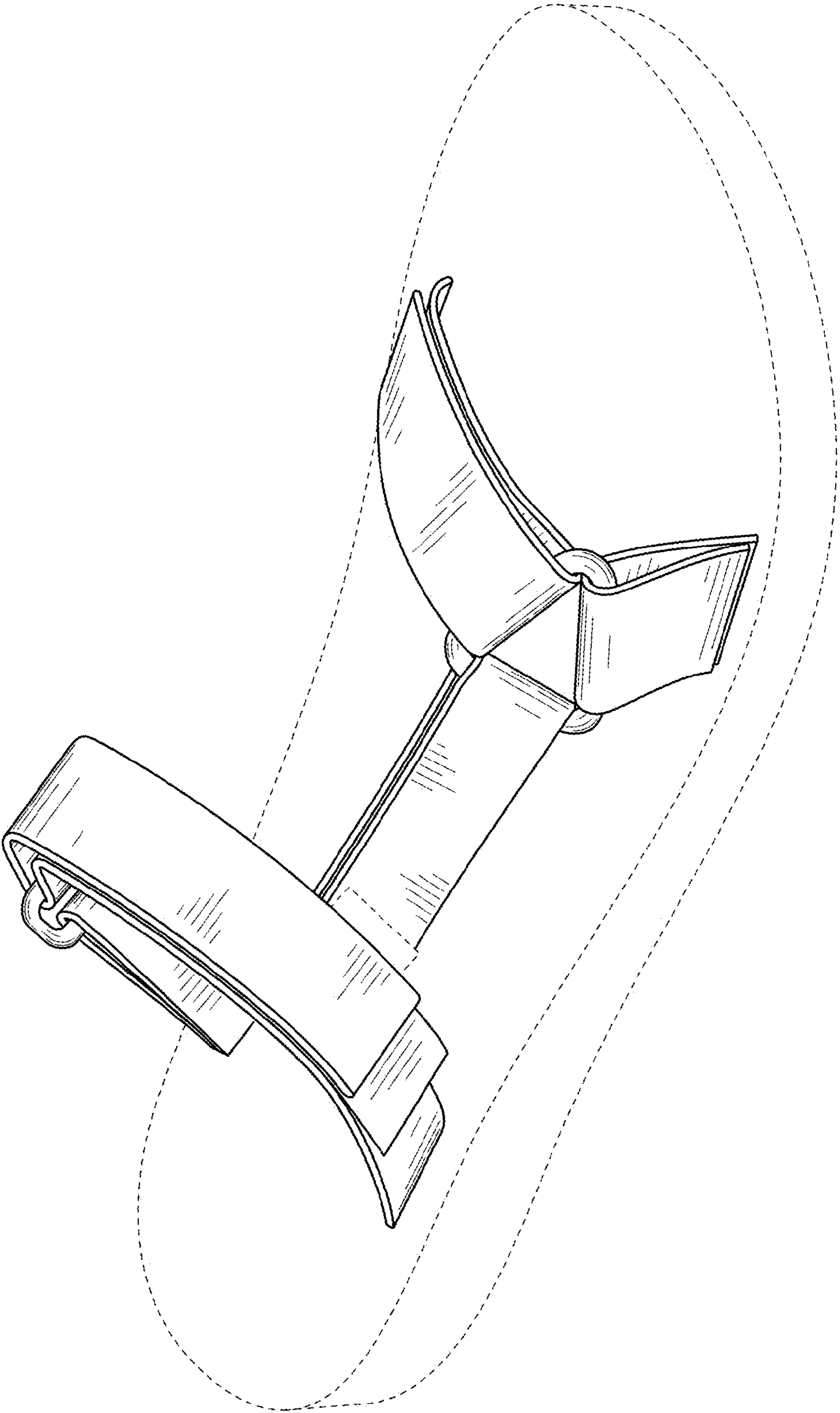


FIG. 1

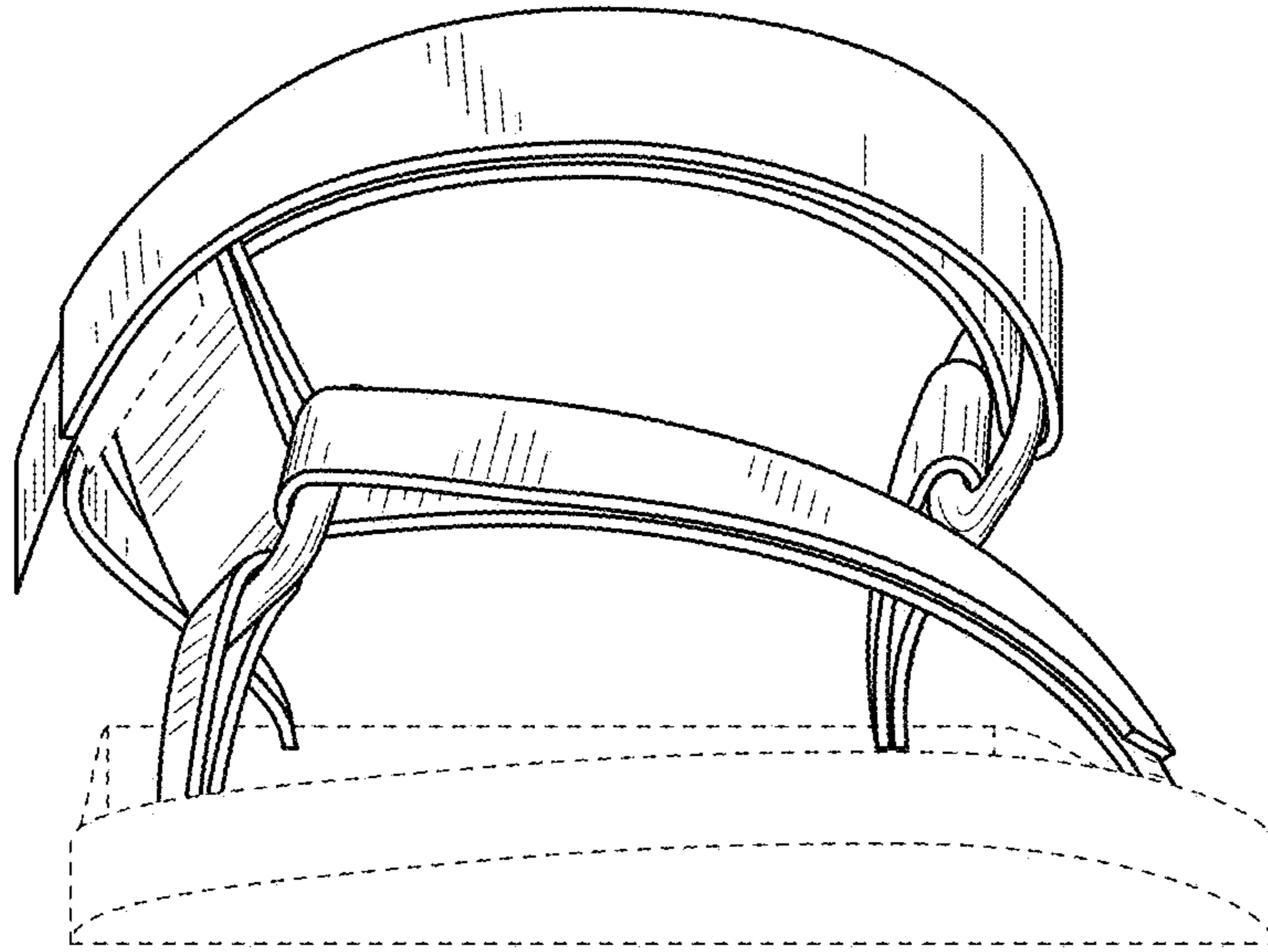


FIG. 2

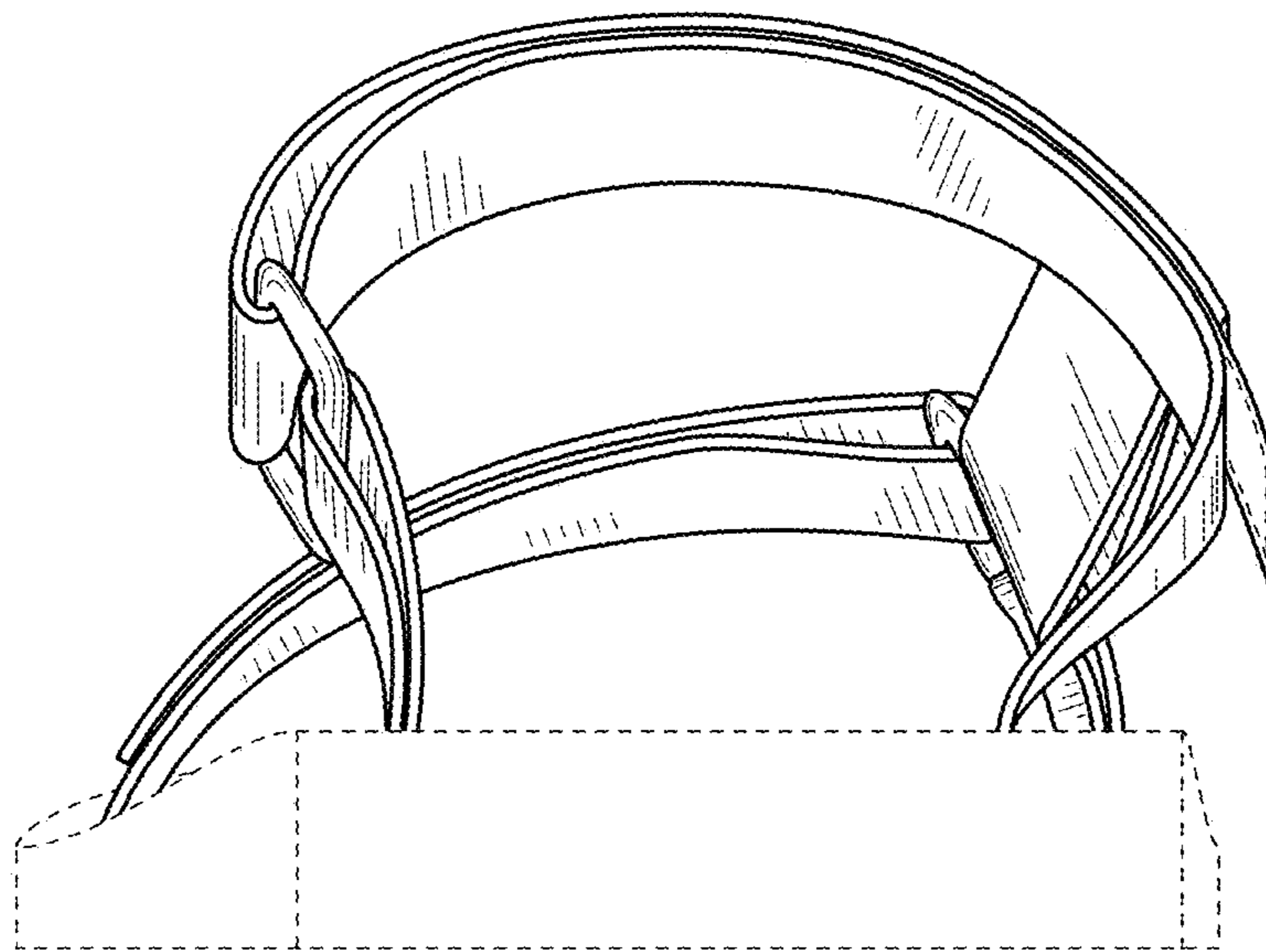


FIG. 3

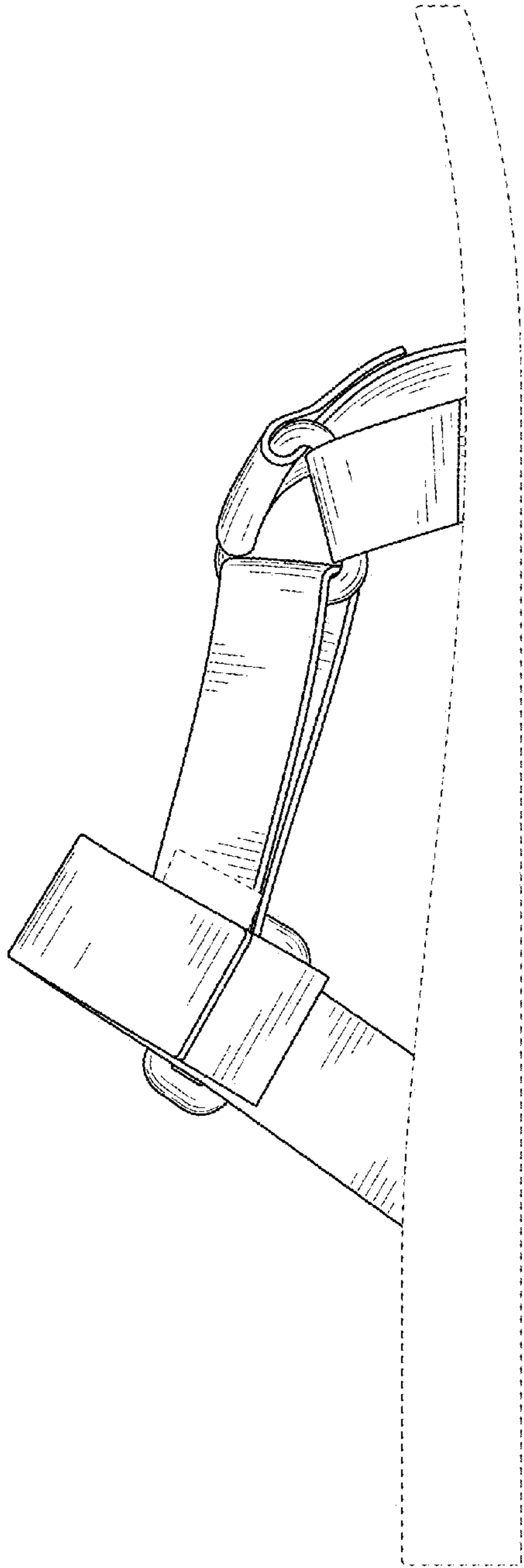


FIG. 4

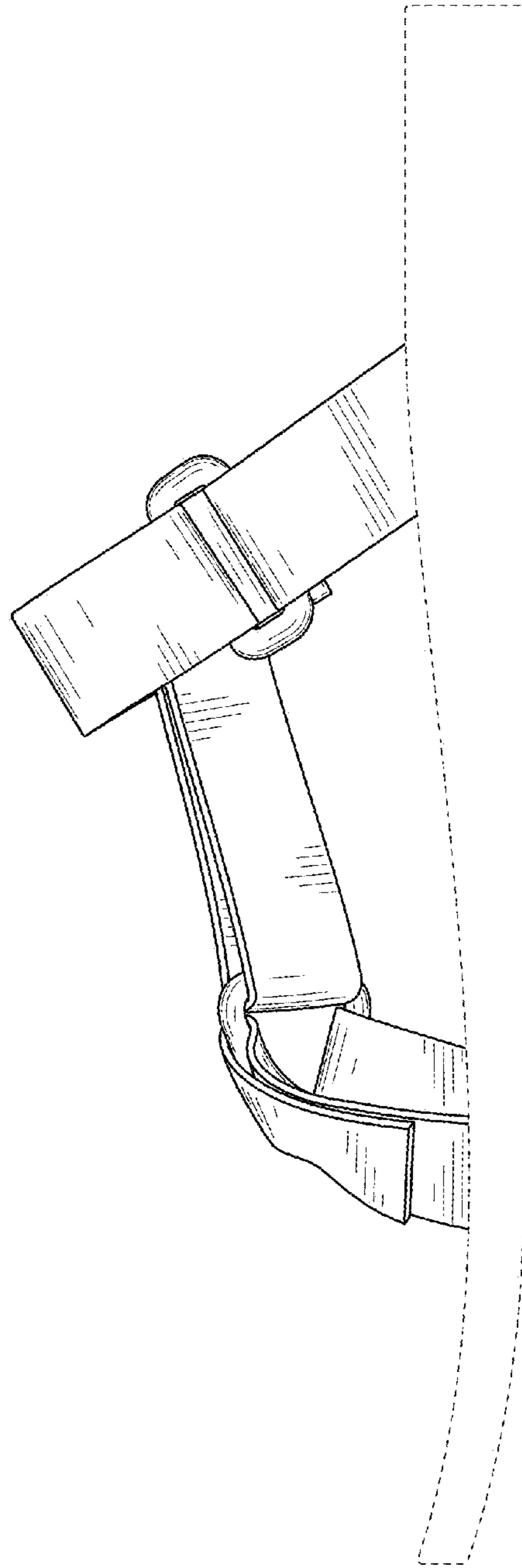


FIG. 5

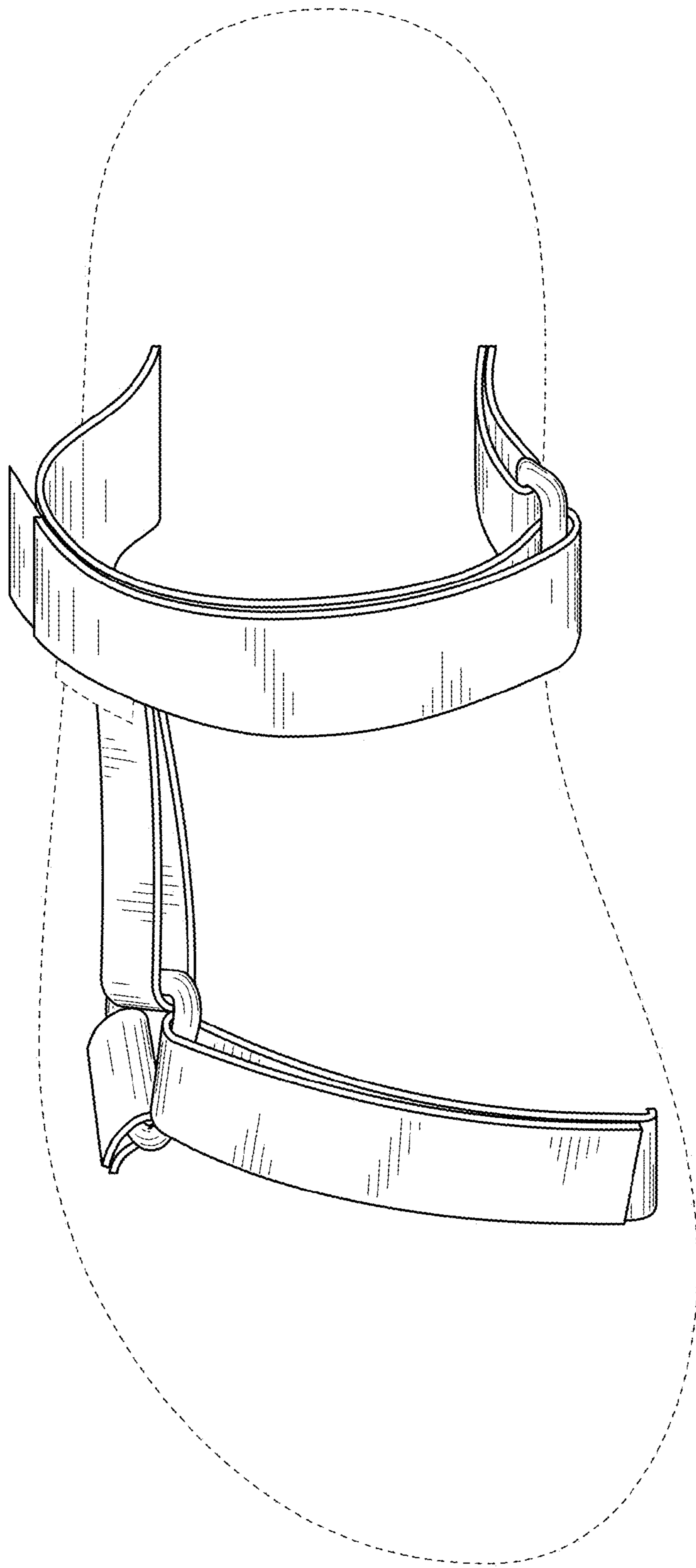


FIG. 6

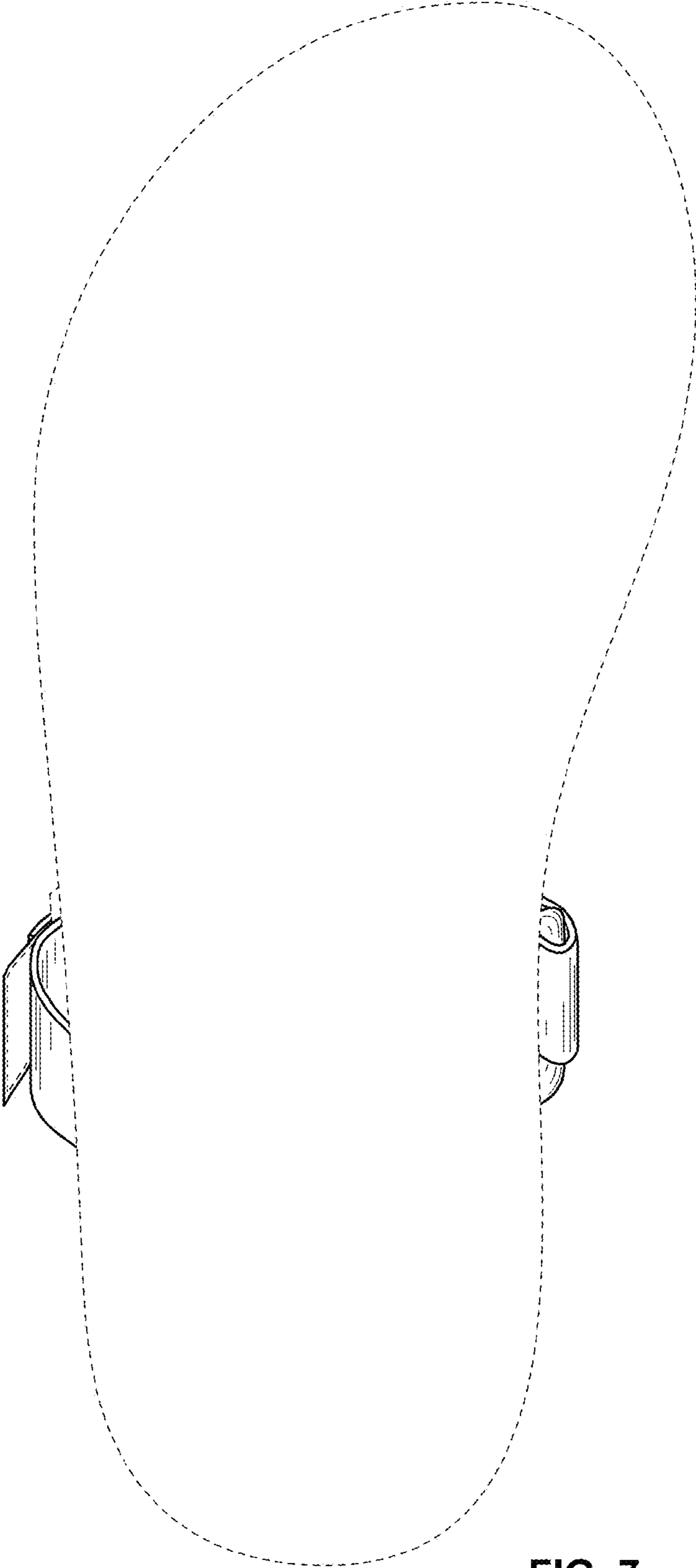


FIG. 7