



US00D757402S

(12) **United States Design Patent**  
**White**

(10) **Patent No.:** **US D757,402 S**

(45) **Date of Patent:** **\*\* May 31, 2016**

(54) **SNAPBACK-STYLE HAT SIZE ADJUSTMENT STRAP**

(71) Applicant: **Ceon White**, Brooklyn, NY (US)

(72) Inventor: **Ceon White**, Brooklyn, NY (US)

(73) Assignee: **Ceon White**, Easton, PA (US)

(\*\*) Term: **14 Years**

(21) Appl. No.: **29/497,978**

(22) Filed: **Jul. 30, 2014**

(51) **LOC (10) Cl.** ..... **02-03**

(52) **U.S. Cl.**  
USPC ..... **D2/891**

(58) **Field of Classification Search**  
USPC ..... D2/884, 891, 895, 865; D29/122, 129;  
D11/3, 6, 12, 17, 19, 220, 10, 200  
CPC ..... A42B 1/004; A42B 1/24; A42B 1/22;  
A42B 1/248; A41D 27/08; A01K 27/006;  
G09F 3/005; A44C 15/00; A44C 25/007  
See application file for complete search history.

(56) **References Cited**

**U.S. PATENT DOCUMENTS**

- D98,708 S \* 2/1936 Anderson ..... D11/10
- D299,380 S \* 1/1989 Wang ..... 168/13
- 5,003,640 A \* 4/1991 Pizzacar ..... A42B 1/248  
2/181.4
- D324,193 S \* 2/1992 Wen-Long ..... D11/200
- D342,595 S \* 12/1993 Day ..... D11/200
- 5,533,213 A \* 7/1996 Reiner ..... A42B 1/248  
2/195.2
- 5,615,414 A \* 4/1997 Landis ..... A42B 1/22  
2/12
- 5,653,197 A \* 8/1997 Massaro ..... A01K 27/006  
119/858
- 5,673,501 A \* 10/1997 Mathews ..... A43B 23/24  
36/112
- 5,680,718 A \* 10/1997 Ratcliffe ..... A42B 1/248  
2/195.1
- 5,857,220 A \* 1/1999 Erny ..... A41D 27/08  
2/209.13

- 5,924,139 A \* 7/1999 Van Den Heuvel .... A42B 1/248  
2/171.1
- 6,829,785 B2 \* 12/2004 Park ..... A42B 1/22  
2/195.4
- 7,421,980 B1 \* 9/2008 Ehlers ..... A01K 27/006  
119/858
- 8,776,271 B2 \* 7/2014 Randolph ..... A41D 27/08  
2/245
- 2003/0233696 A1 \* 12/2003 Lee ..... A42B 1/22  
2/195.2
- 2006/0162051 A1 \* 7/2006 Bachechi ..... A41D 27/08  
2/338
- 2009/0188442 A1 \* 7/2009 Dawe ..... A01K 27/006  
119/792
- 2010/0083427 A1 \* 4/2010 Schnurr ..... A63B 33/002  
2/452

(Continued)

*Primary Examiner* — Karen E. Eldridge Powers

*Assistant Examiner* — Kimberly Barnes

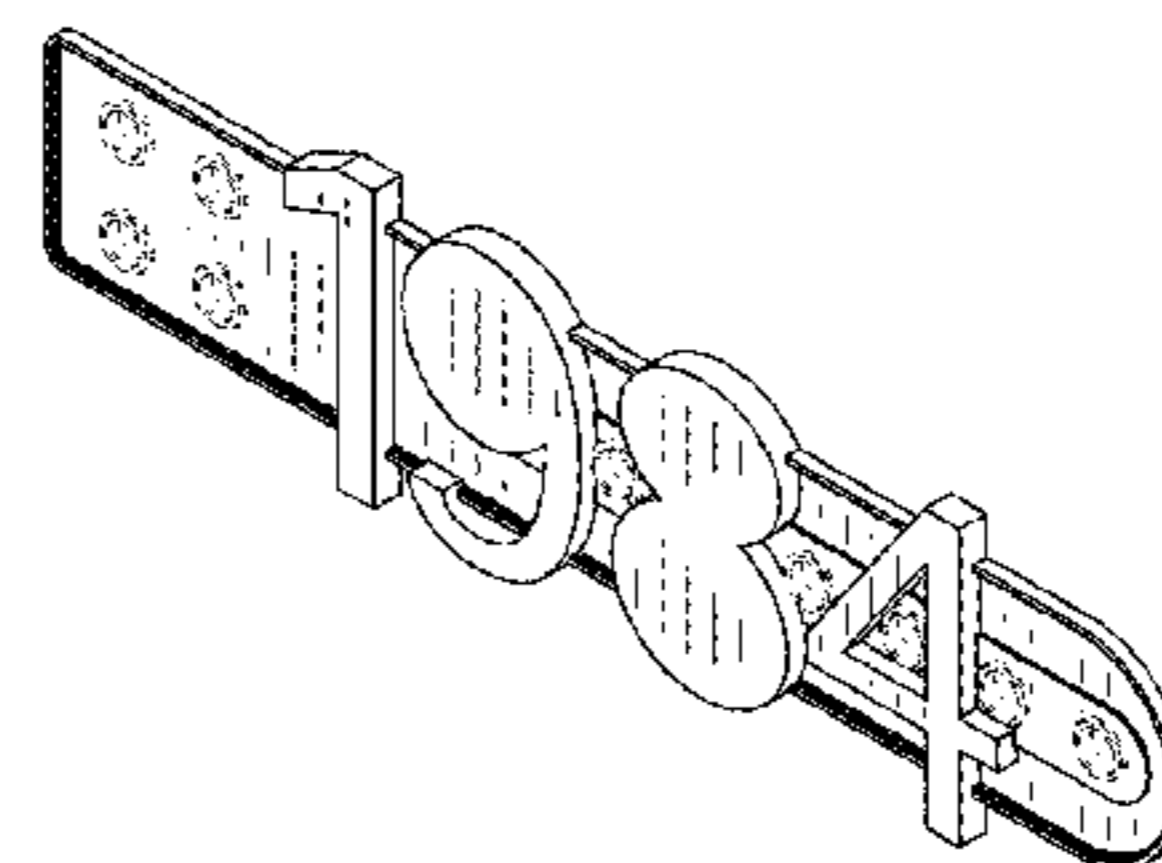
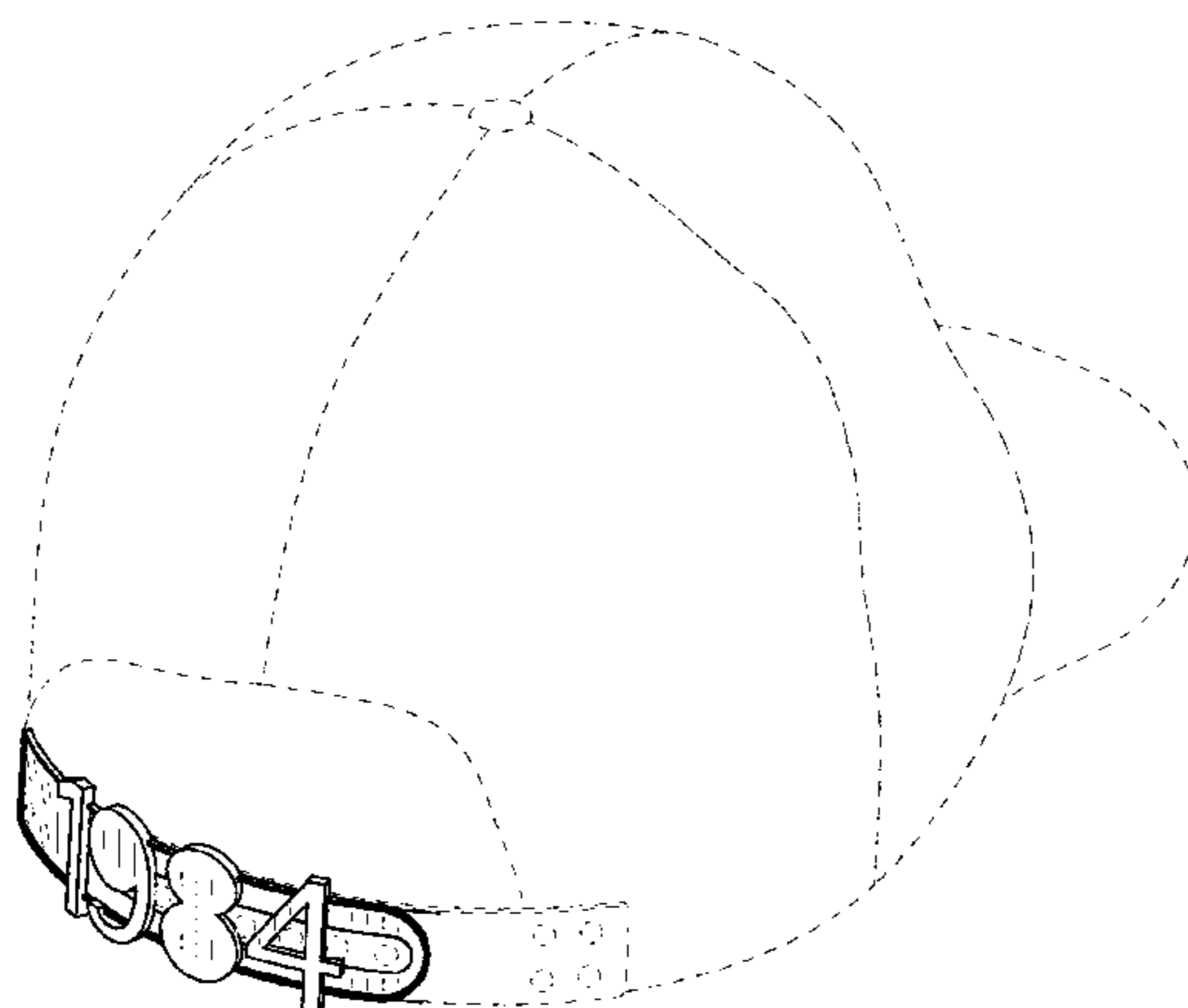
(57) **CLAIM**

The ornamental design for a snapback-style hat size adjustment strap, as shown and described.

**DESCRIPTION**

FIG. 1 is a perspective view of a snapback-style hat size adjustment strap, shown in use on a baseball cap;  
 FIG. 2 is a perspective view of a snapback-style hat size adjustment strap;  
 FIG. 3 is a front elevation view of the snapback-style hat size adjustment strap;  
 FIG. 4 is a rear elevation view of the snapback-style hat size adjustment strap;  
 FIG. 5 is a left elevation view of the snapback-style hat size adjustment strap;  
 FIG. 6 is a right elevation view of the snapback-style hat size adjustment strap;  
 FIG. 7 is a top plan view of the snapback-style hat size adjustment strap; and,  
 FIG. 8 is a bottom plan view of the snapback-style hat size adjustment strap.  
 The baseball cap and the plurality of fastener holes shown in broken lines illustrate environmental structure and form no part of the claimed design.

**1 Claim, 3 Drawing Sheets**



# US D757,402 S

Page 2

(56)

## References Cited

### U.S. PATENT DOCUMENTS

2010/0236119	A1*	9/2010	Pellei .....	G09F 3/14 40/638	2012/0144562	A1*	6/2012	Ferrara .....	A41F 9/002 2/338
2011/0079045	A1*	4/2011	Bielkiewicz .....	G09F 3/005 63/1.13	2014/0283551	A1*	9/2014	Ciprari .....	A44C 15/00 63/43
2011/0254225	A1*	10/2011	Doherty .....	A44B 5/002 273/287	2015/0096328	A1*	4/2015	Schwartz .....	H02J 1/06 63/1.13
					2015/0157099	A1*	6/2015	Kibel .....	A44C 25/007 428/99
					2015/0272279	A1*	10/2015	Toffanello .....	A44B 1/04 24/453

\* cited by examiner

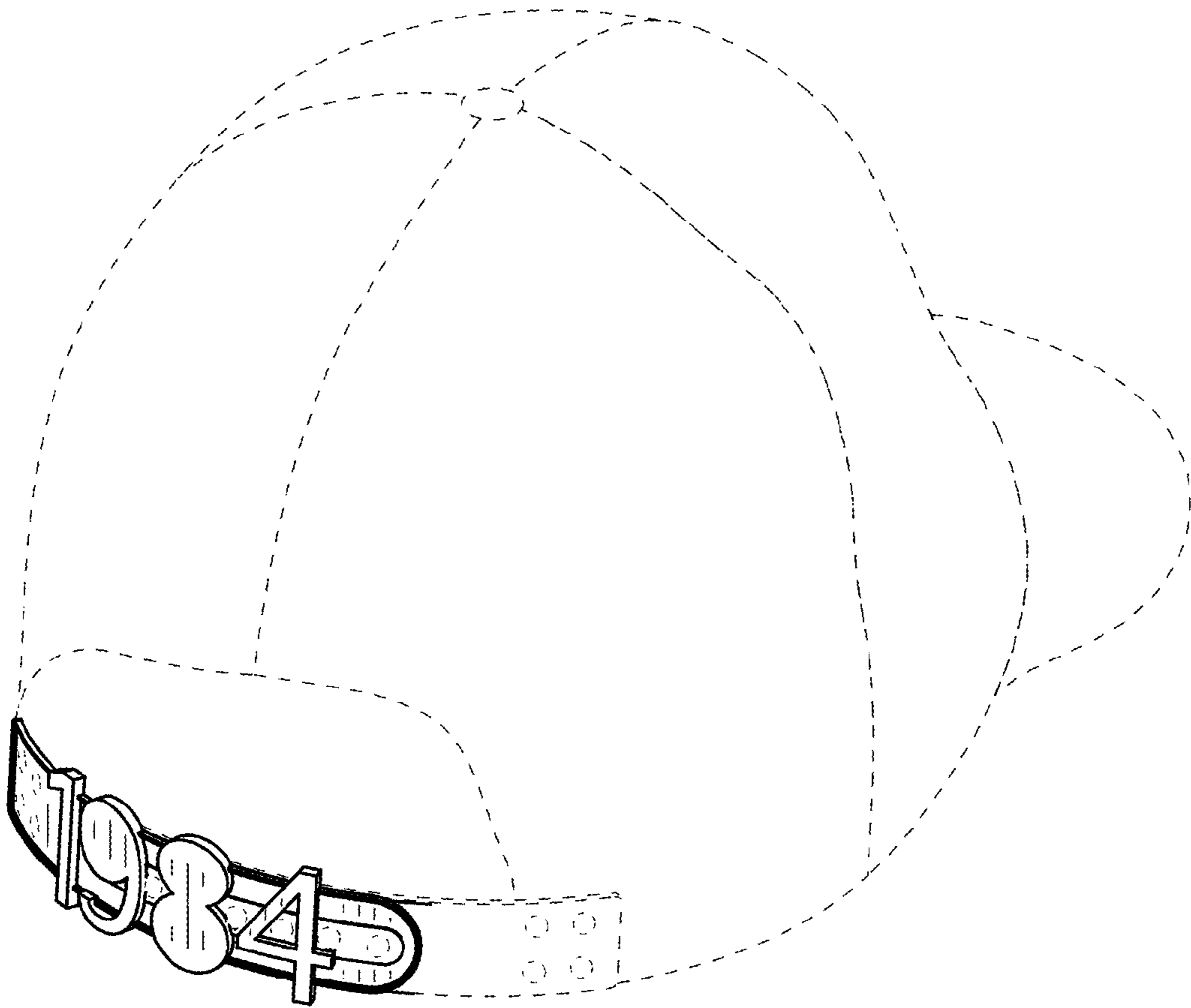


FIG. 1

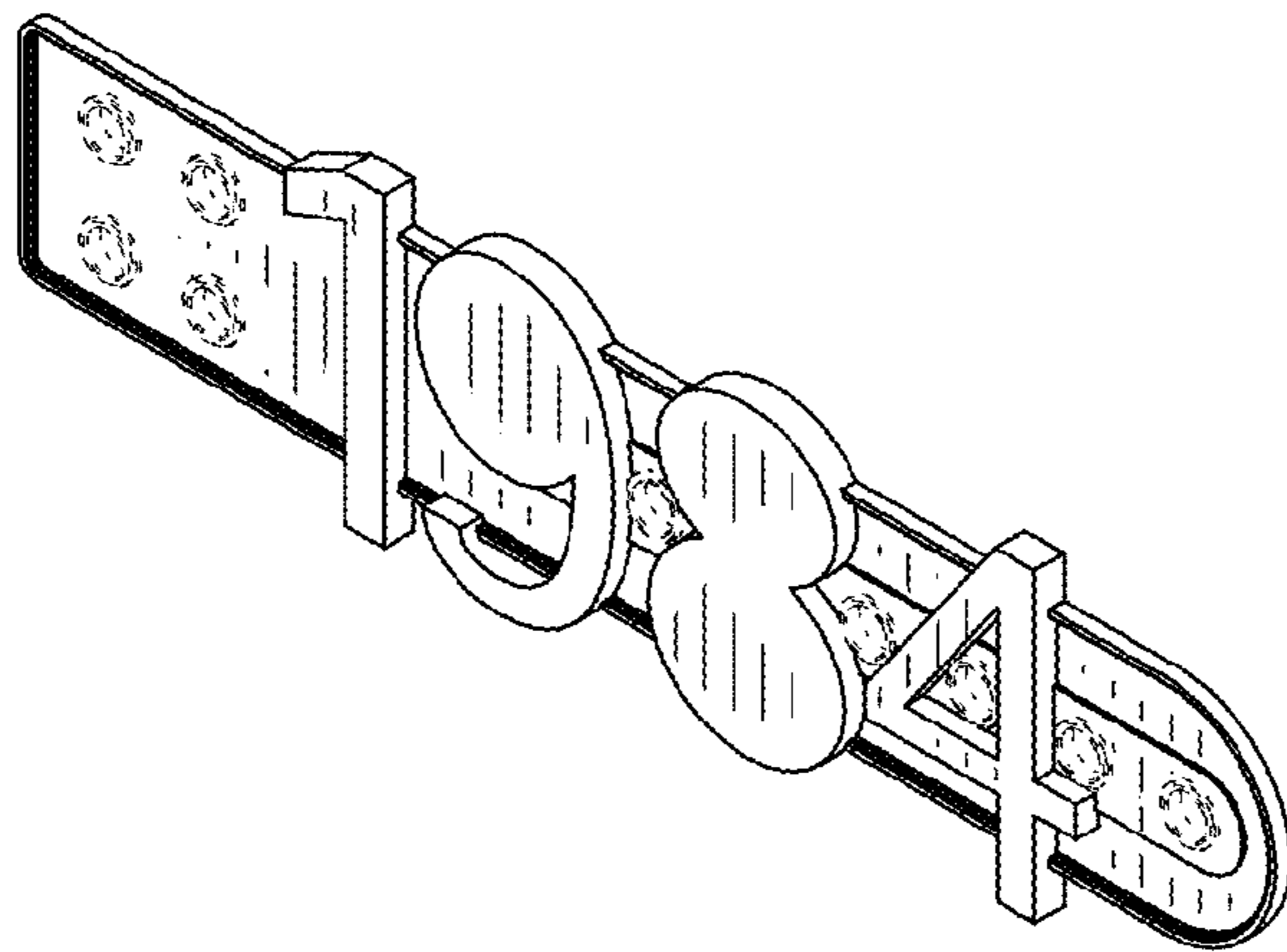


FIG. 2

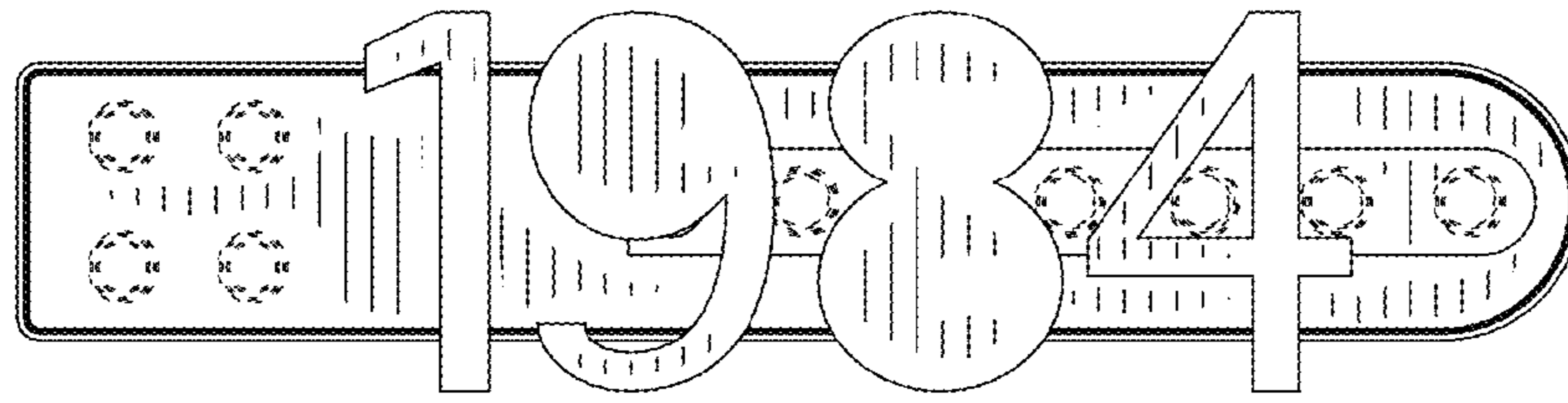


FIG. 3

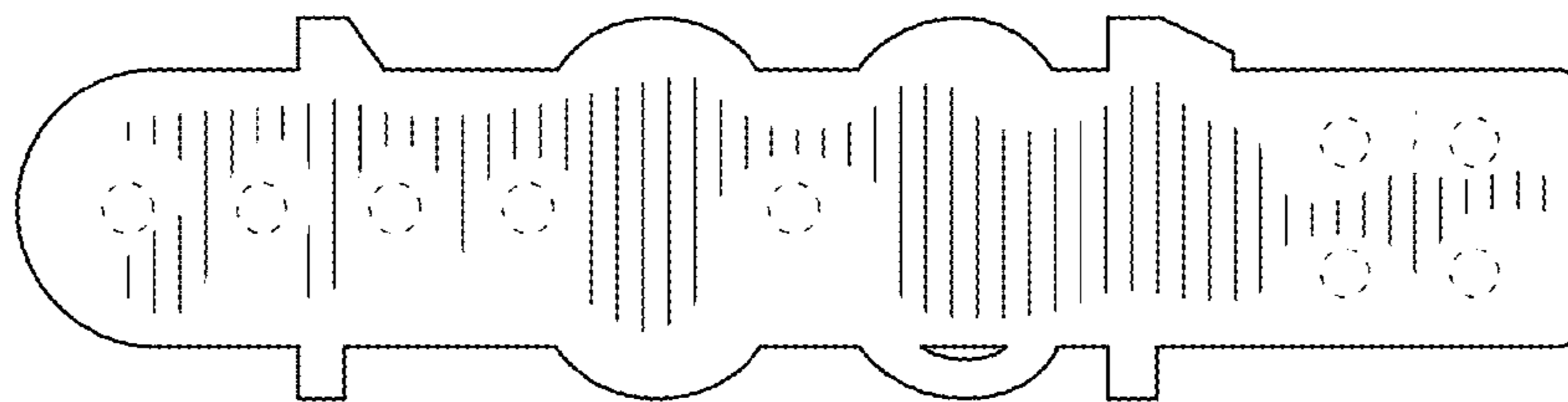


FIG. 4



FIG. 5

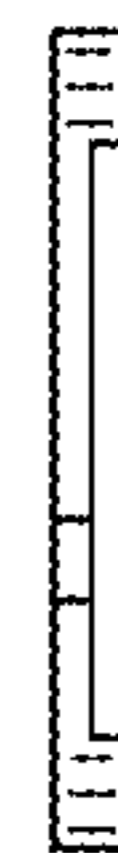


FIG. 6

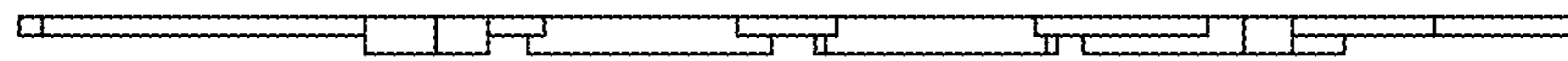


FIG. 7

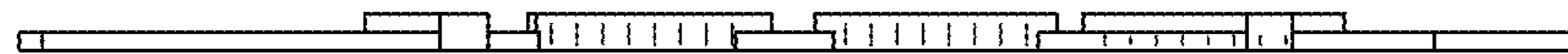


FIG. 8