

US00D757400S

(12) **United States Design Patent**  
**Barr**

(10) **Patent No.:** **US D757,400 S**  
(45) **Date of Patent:** **\*\* May 31, 2016**

(54) **NOVELTY HEADWEAR**

(71) Applicant: **William T. Barr**, Little Rock, AR (US)

(72) Inventor: **William T. Barr**, Little Rock, AR (US)

(\*\*) Term: **15 Years**

(21) Appl. No.: **29/529,092**

(22) Filed: **Jun. 3, 2015**

(51) **LOC (10) Cl.** ..... **02-03**

(52) **U.S. Cl.**  
USPC ..... **D2/871**

(58) **Field of Classification Search**

USPC ..... D2/865, 866, 868, 869, 873, 875, 880,  
D2/881, 891, 894, 895; D28/10, 39, 41, 99  
CPC ..... A41D 20/00; A42B 1/00; A42B 1/004;  
A42B 1/22; A42B 1/24; A42C 5/02; A45D  
2008/002; A45D 2008/004; A45D 2008/006;  
A45D 8/02; A45D 8/36

See application file for complete search history.

(56) **References Cited**

**U.S. PATENT DOCUMENTS**

D133,874 S *	9/1942	Reid	.....	D2/869
D180,052 S *	4/1957	Young	.....	D2/869
D376,612 S *	12/1996	Wang	.....	D16/307
D404,891 S *	2/1999	Clegg	.....	D2/869
D407,188 S *	3/1999	Halton	.....	D2/869
6,024,102 A *	2/2000	Huang	.....	A45D 8/36 132/273
D463,857 S *	10/2002	Dix	.....	D24/106
D465,883 S *	11/2002	Moher	.....	D28/41
6,513,167 B1 *	2/2003	Cheng	.....	A45D 8/36 2/171

D579,606 S *	10/2008	Scholl	.....	D28/41
8,381,741 B2 *	2/2013	Montgomery	.....	A41G 5/0093 132/201
2006/0027245 A1 *	2/2006	Spector	.....	A45D 8/36 132/273
2016/0003467 A1 *	1/2016	Wang	.....	F21V 33/0008 132/275

\* cited by examiner

*Primary Examiner* — Karen E. Eldridge Powers

*Assistant Examiner* — Jasmine Mlinarcik

(74) *Attorney, Agent, or Firm* — Rashauna Norment

(57) **CLAIM**

An ornamental design for a novelty headwear, as shown and described.

**DESCRIPTION**

FIG. 1 is a perspective view of a novelty headwear, showing my new design;

FIG. 2 is a top plan view thereof;

FIG. 3 is a bottom plan view thereof;

FIG. 4 is a front elevation view thereof; the rear elevation view being a mirror image of the front elevation view thereof;

FIG. 5 is a left side elevation view thereof;

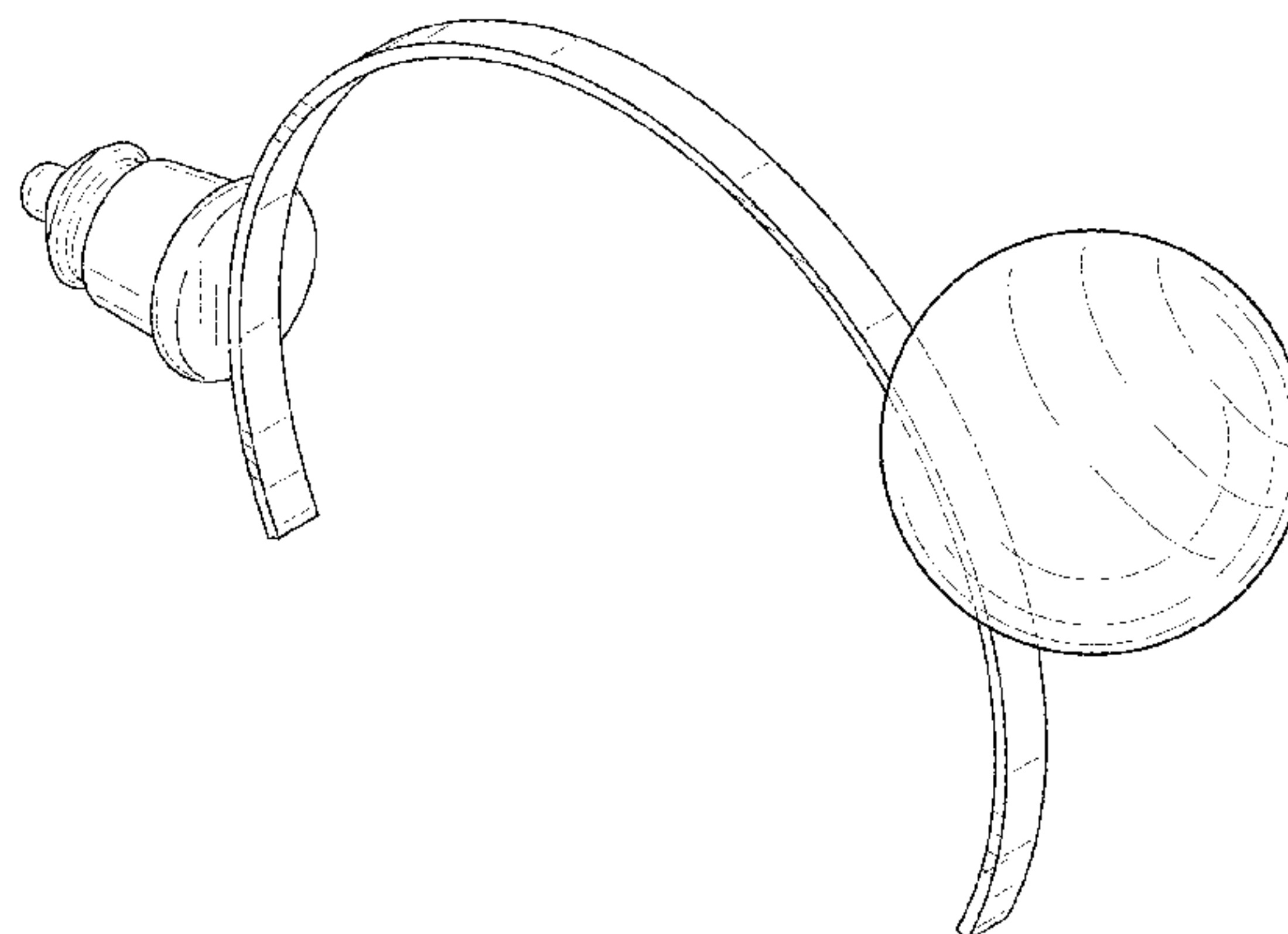
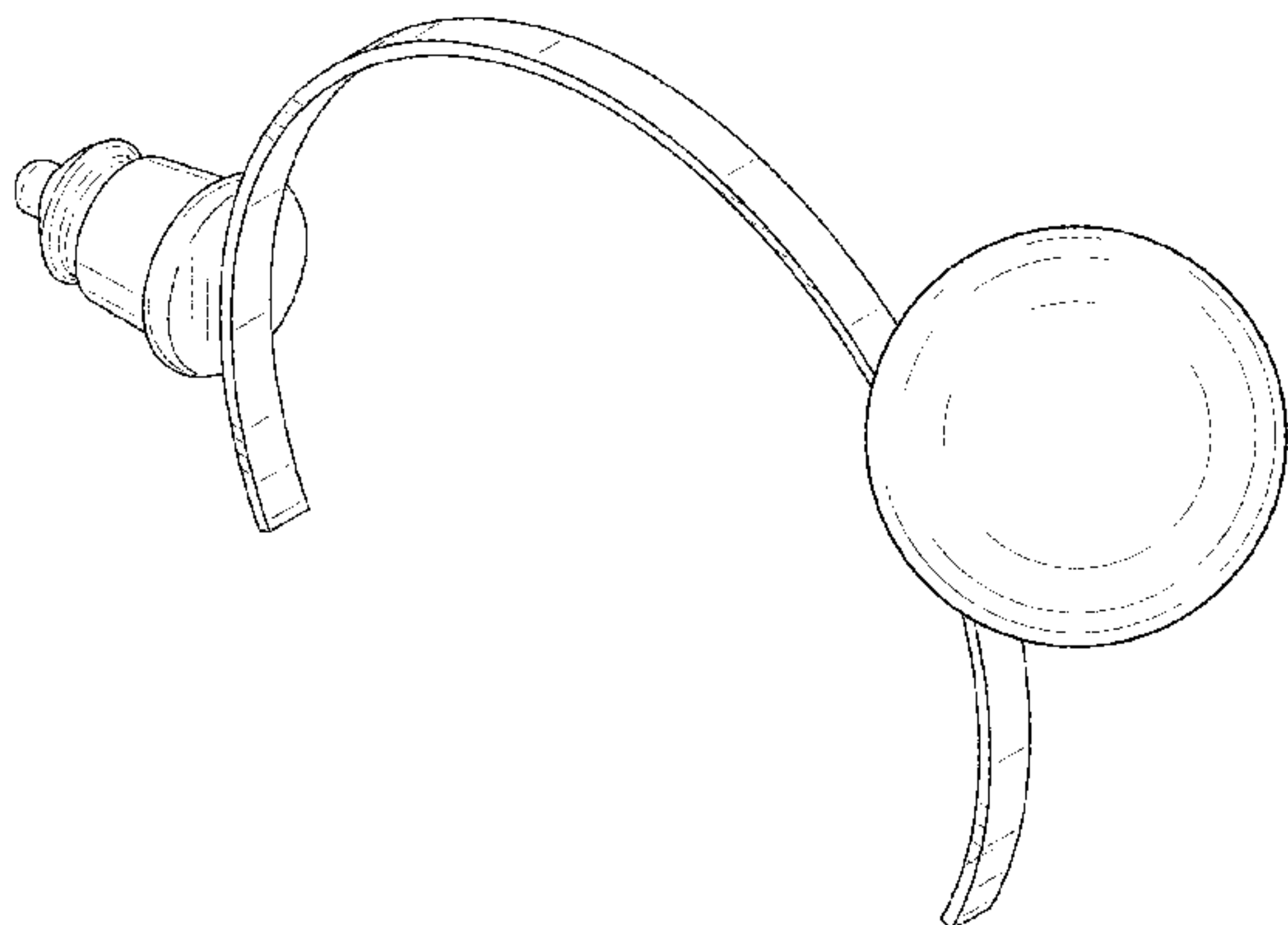
FIG. 6 is a right side elevation view thereof;

FIG. 7 is a perspective view of a second embodiment of the novelty headwear as shown in FIG. 1, except that the ball-like ornament is transparent; and,

FIG. 8 is a top plan view of FIG. 7.

The second embodiment differs from the first embodiment only in that the ball-like ornament in the second embodiment is transparent; therefore, the remaining views of the second embodiment have not been shown (as they are otherwise analogous to their respective views in the first embodiment).

**1 Claim, 6 Drawing Sheets**



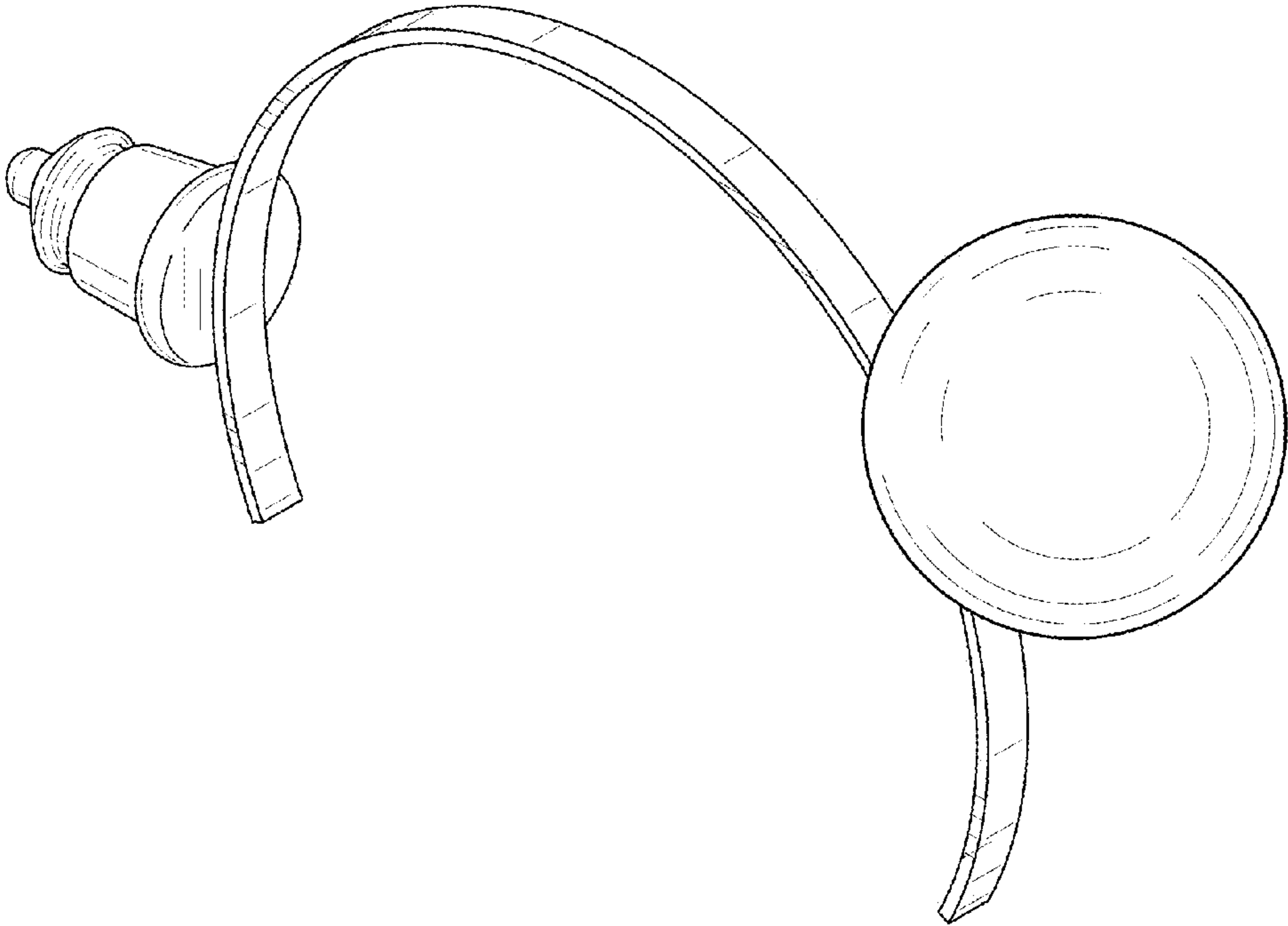


FIG. 1

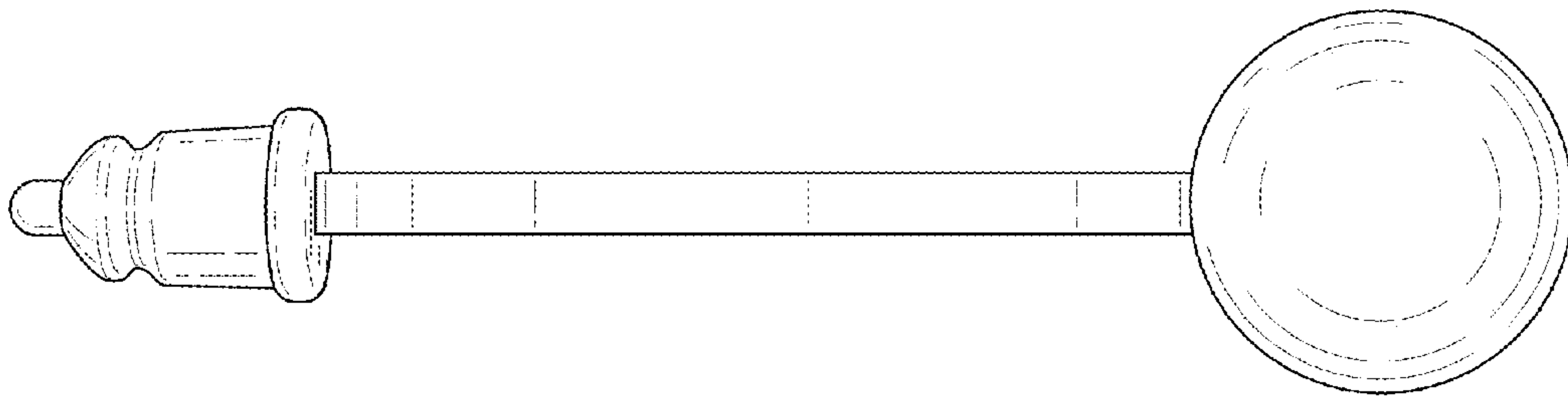


FIG. 2

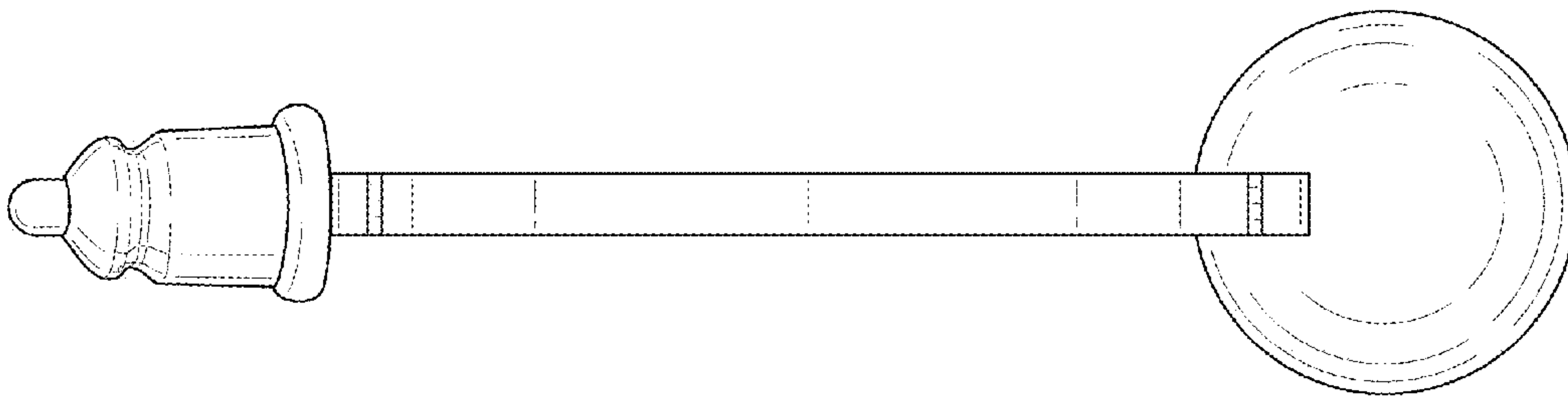


FIG. 3

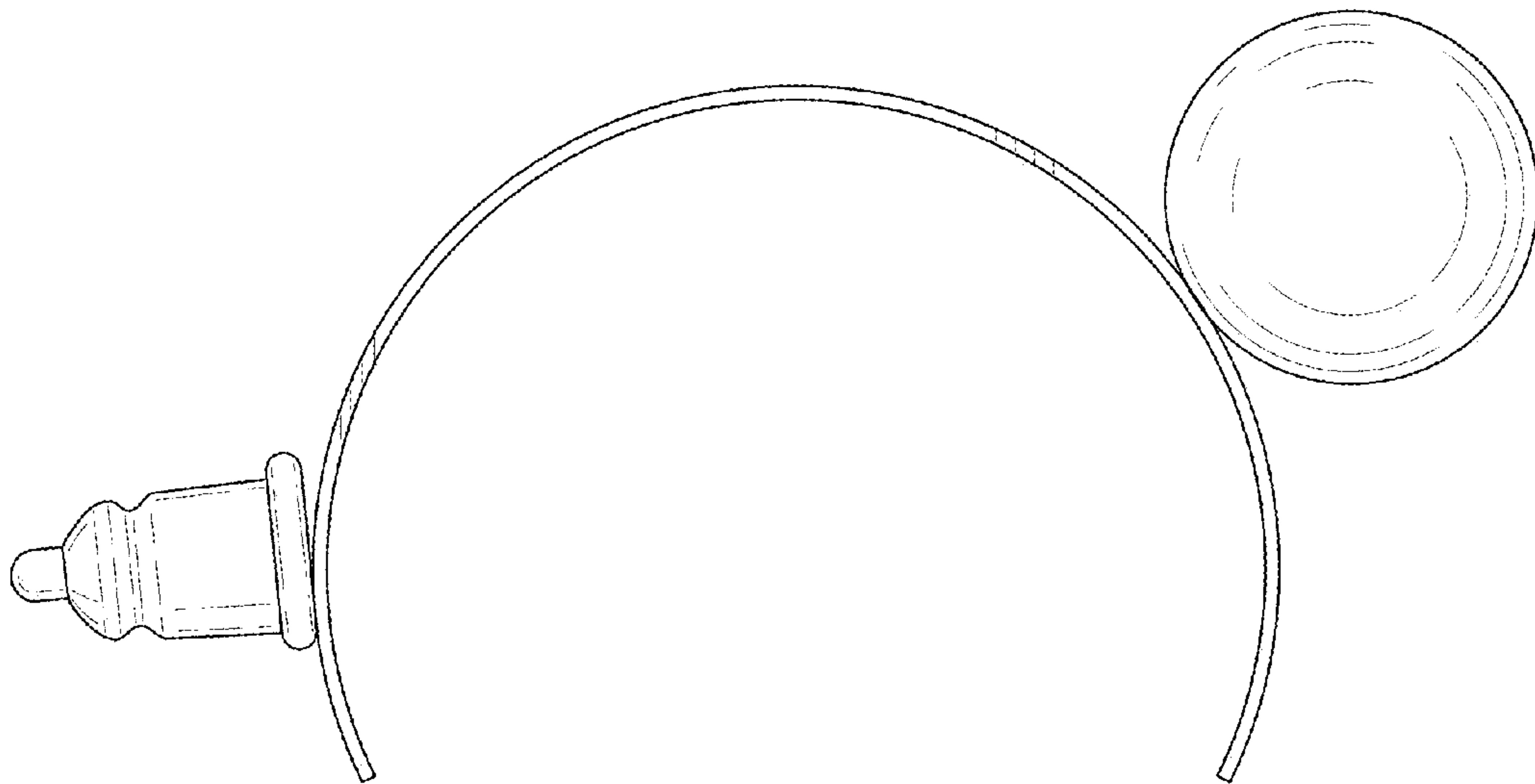


FIG. 4

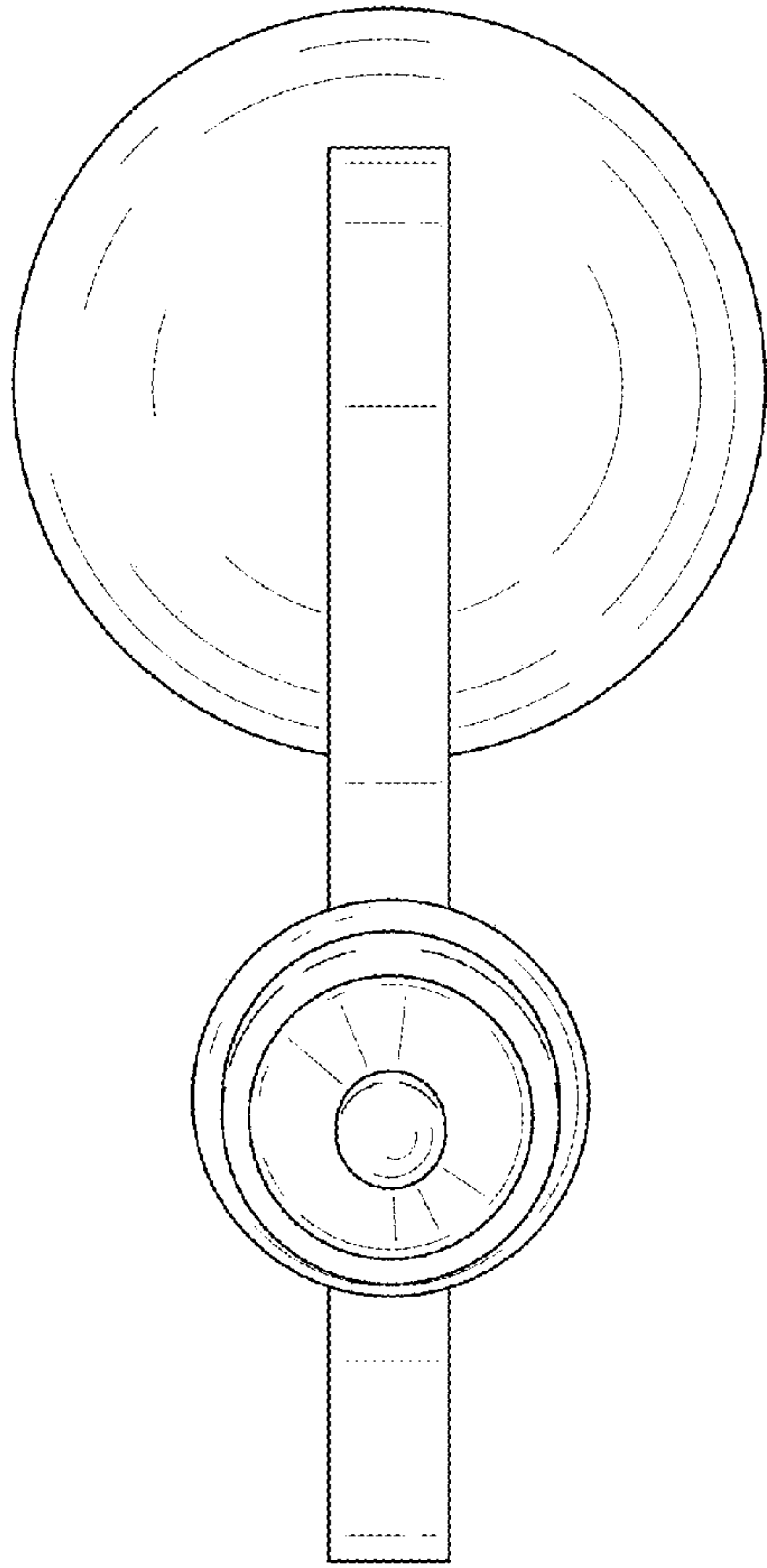


FIG. 5

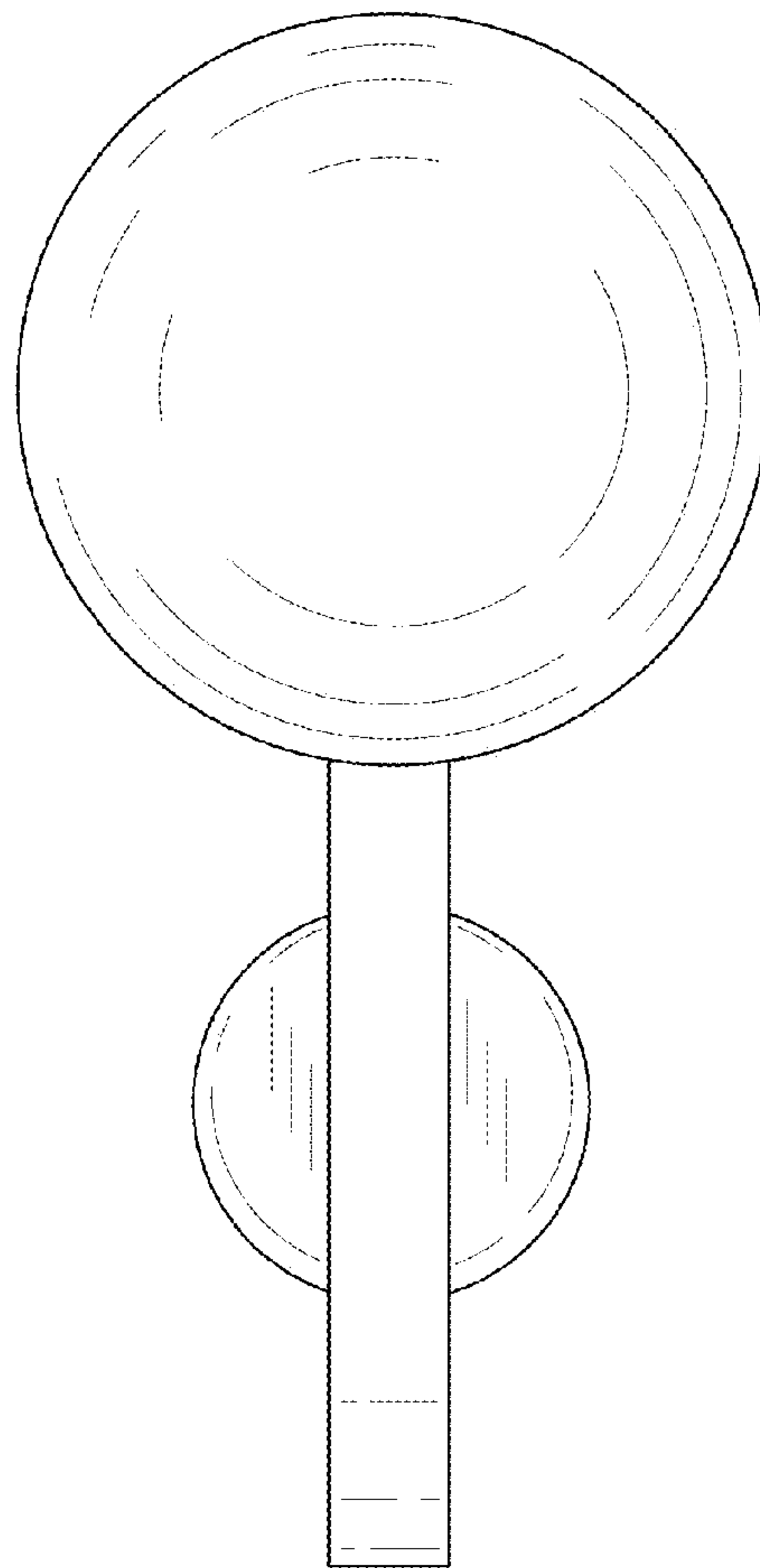


FIG. 6

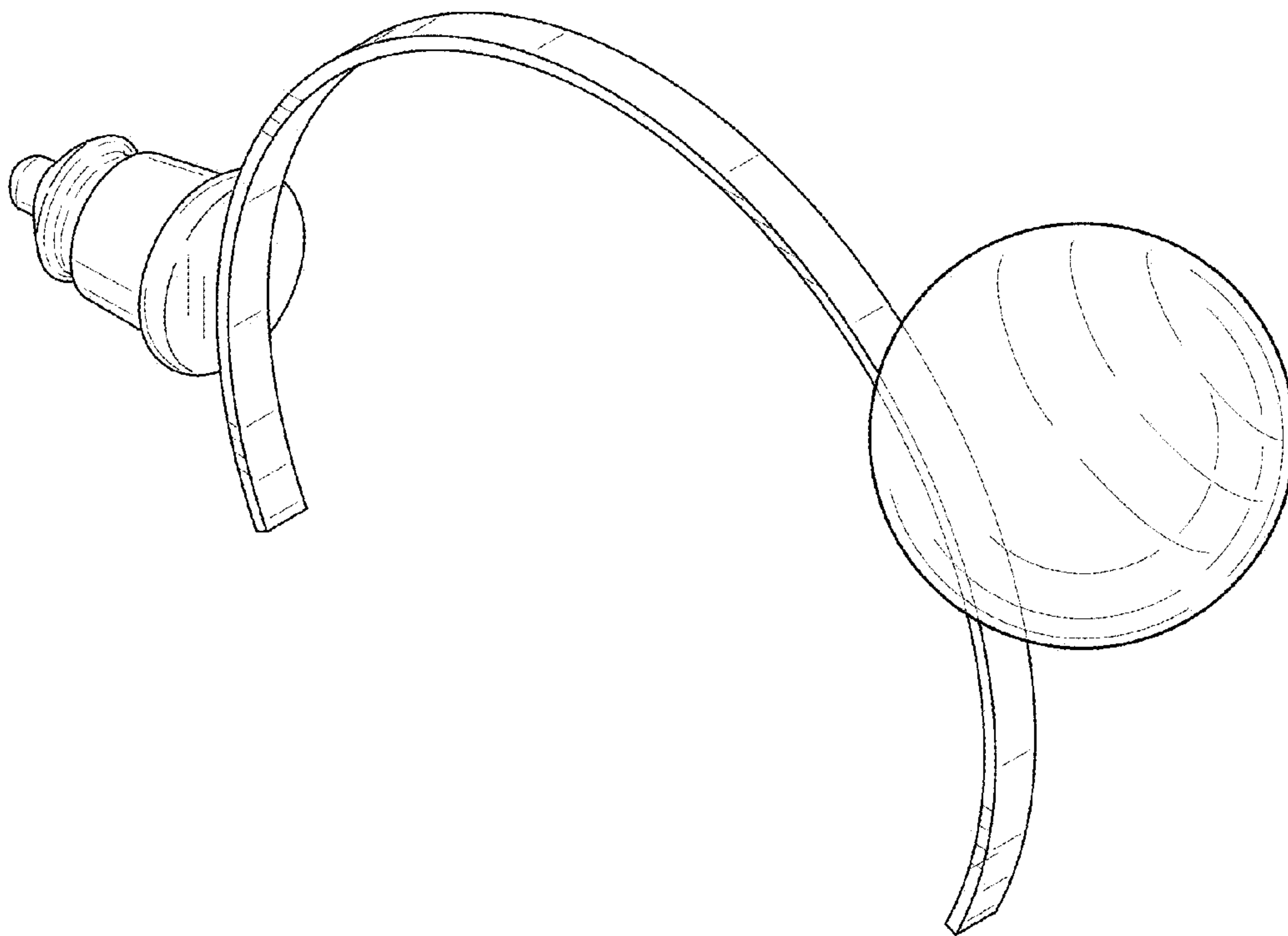


FIG. 7

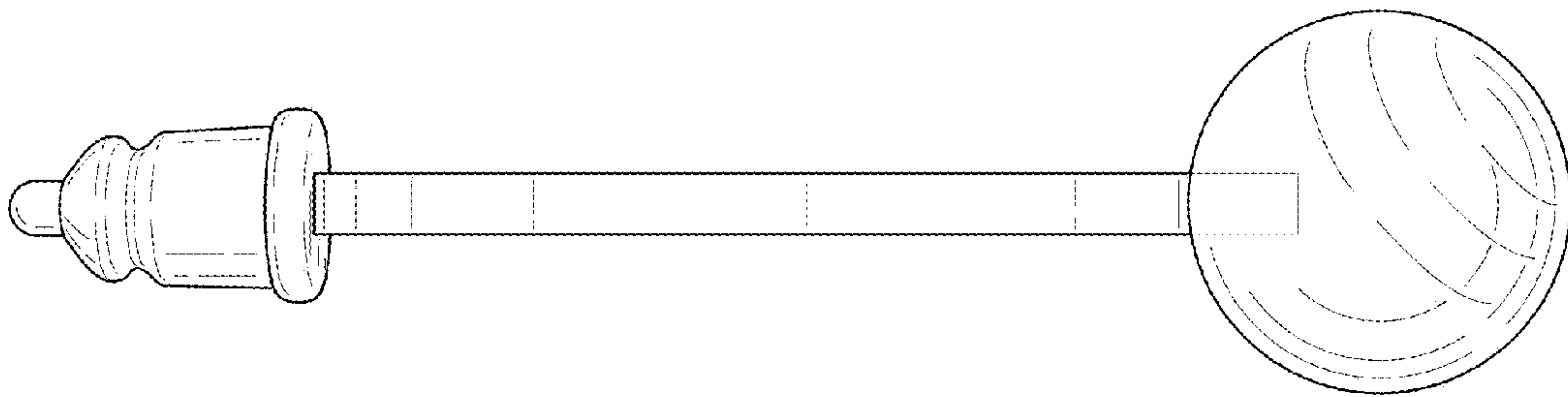


FIG. 8