



US00D757399S

(12) **United States Design Patent**
Kalfas

(10) **Patent No.:** **US D757,399 S**

(45) **Date of Patent:** **** May 31, 2016**

(54) **APRON**

D576,379 S * 9/2008 Najarian D2/864
D602,230 S * 10/2009 Shooshan D2/864

(71) Applicant: **Ashley Kalfas**, Sterling Heights, MI
(US)

(Continued)

(72) Inventor: **Ashley Kalfas**, Sterling Heights, MI
(US)

OTHER PUBLICATIONS

Apron | Waist Apron Camel Witloft Aprons | Labelaware, posted at
labelaware.com, posting date n/a, © n/a labelaware.com, [online],
[site visited Apr. 1, 2016], Available at <http://www.labelaware.com/wine-cooking/waist-apron-in-camel-leather/>.*

(Continued)

(**) Term: **15 Years**

(21) Appl. No.: **29/536,181**

(22) Filed: **Aug. 13, 2015**

(51) **LOC (10) Cl.** **02-02**

(52) **U.S. Cl.**
USPC **D2/864**

Primary Examiner — Susan Bennett Hattan

Assistant Examiner — Jennifer Wright

(74) *Attorney, Agent, or Firm* — Mitchell Law PLLC;
Matthew W. Mitchell

(58) **Field of Classification Search**

USPC D2/851–859, 860–864, 739, 740

CPC A41D 13/046; A41D 13/04; A41D 1/14;

A41F 9/025

See application file for complete search history.

(57) **CLAIM**

The ornamental design for an apron, as shown and described.

DESCRIPTION

FIG. 1 is a front perspective view of the apron of the present invention;

FIG. 2 is a front view of the invention of FIG. 1;

FIG. 3 is a back view of the invention of FIG. 1;

FIG. 4 is a top plan view in elevation of the invention of FIG. 1;

FIG. 5 is a bottom plan view of the invention of FIG. 1;

FIG. 6 is a side view of the invention of FIG. 1, as seen from the left side of FIG. 2;

FIG. 7 is a side view of the invention of FIG. 1, as seen from the right side of FIG. 2;

FIG. 8 is an elevational view of the invention of FIG. 1, as seen with buckles in an engaged position;

FIG. 9 is a second elevational view of the invention of FIG. 1, as seen with buckles in an engaged position; and,

FIG. 10 is a top elevational view of the invention of FIG. 1, as seen with buckles in an engaged position.

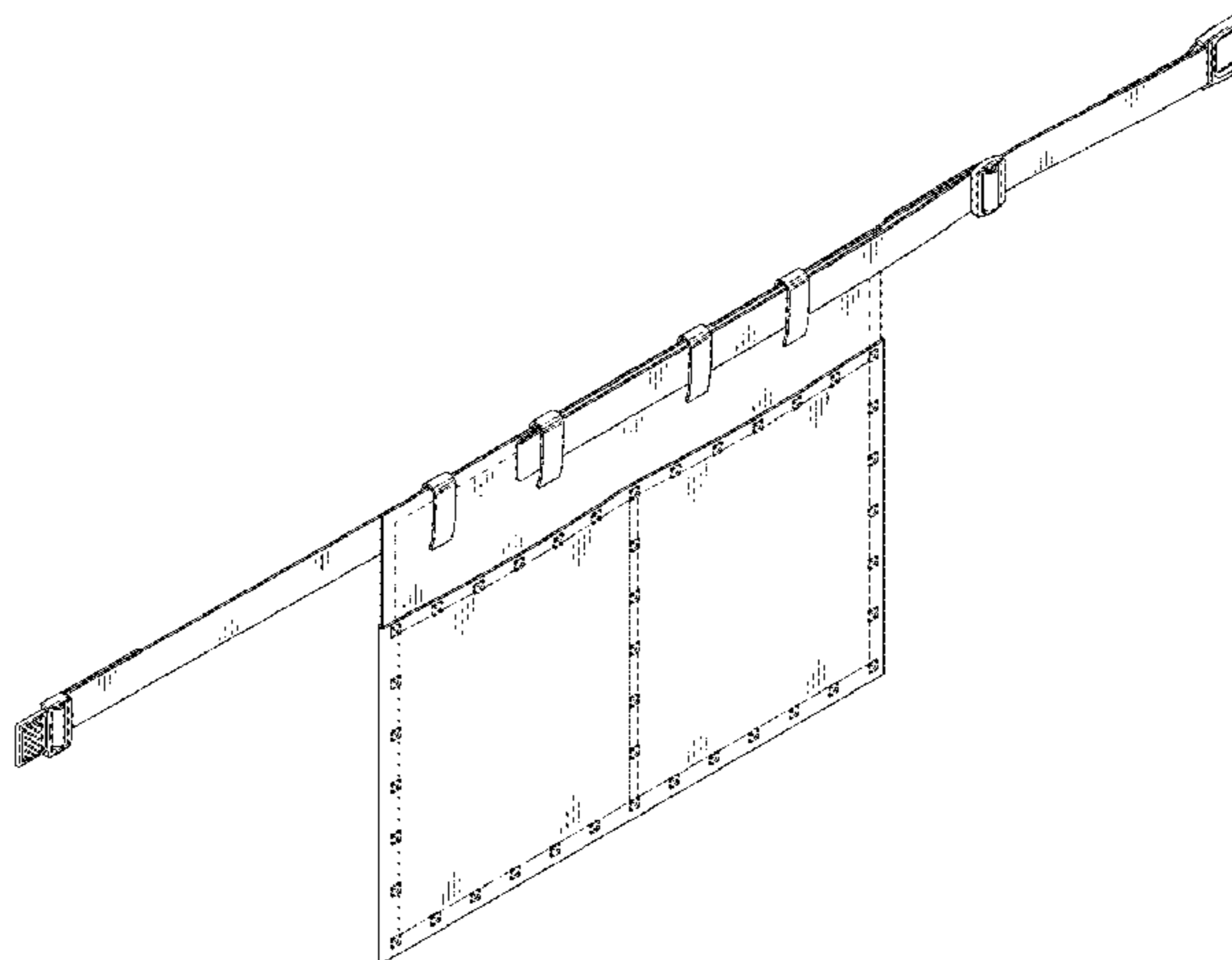
The broken lines showing jewels depict parts of the apron that form no part of the claimed design; while the remaining broken lines depict stitching and are included the claimed design.

(56) **References Cited**

U.S. PATENT DOCUMENTS

- 1,004,717 A * 10/1911 White A41D 13/04
2/24
- 2,495,436 A * 1/1950 Westcott A41D 13/046
2/52
- 2,697,465 A * 12/1954 Johnson A45C 15/00
2/48
- 3,624,686 A * 11/1971 Beals G09B 19/0023
2/247
- 4,545,079 A * 10/1985 Bakken A41D 13/04
2/247
- D305,827 S * 2/1990 Flowers D2/864
- D306,520 S * 3/1990 McCarthy D12/133
- 5,024,361 A * 6/1991 Flowers A45C 13/02
224/223
- 5,052,055 A * 10/1991 Mysliwicz A41D 13/04
2/338
- D323,238 S * 1/1992 Lee D2/864
- D362,332 S * 9/1995 Short D2/861
- D446,617 S * 8/2001 Urbanski D32/53
- D461,945 S * 8/2002 Byrd D2/860

1 Claim, 6 Drawing Sheets



(56)

References Cited

U.S. PATENT DOCUMENTS

7,636,949 B1 * 12/2009 Shooshan A41D 13/0012
2/48
D608,530 S * 1/2010 Williams D2/864
D679,007 S * 3/2013 Portash D24/126
2001/0034890 A1 * 11/2001 Levas A41D 13/04
2/48
2006/0053523 A1 * 3/2006 McNamara A41D 13/04
2/48
2007/0022509 A1 * 2/2007 Bloom A41B 13/10
2/49.1

2008/0208149 A1 * 8/2008 Vasquez A61F 5/449
604/322
2012/0110714 A1 * 5/2012 Pokorny A41D 13/04
2/48
2013/0180025 A1 * 7/2013 Bright A41D 1/22
2/69

OTHER PUBLICATIONS

Apron | 3-Pocket Waist Apron w/ Buckle Belt in Maroon |
Buyaprons, posted at buyaprons.com, posting date n/a, © 2016
buyaprons.com, [online], [site visited Apr. 1, 2016], Available at
<http://www.buyaprons.com/104-MA/>.*

* cited by examiner

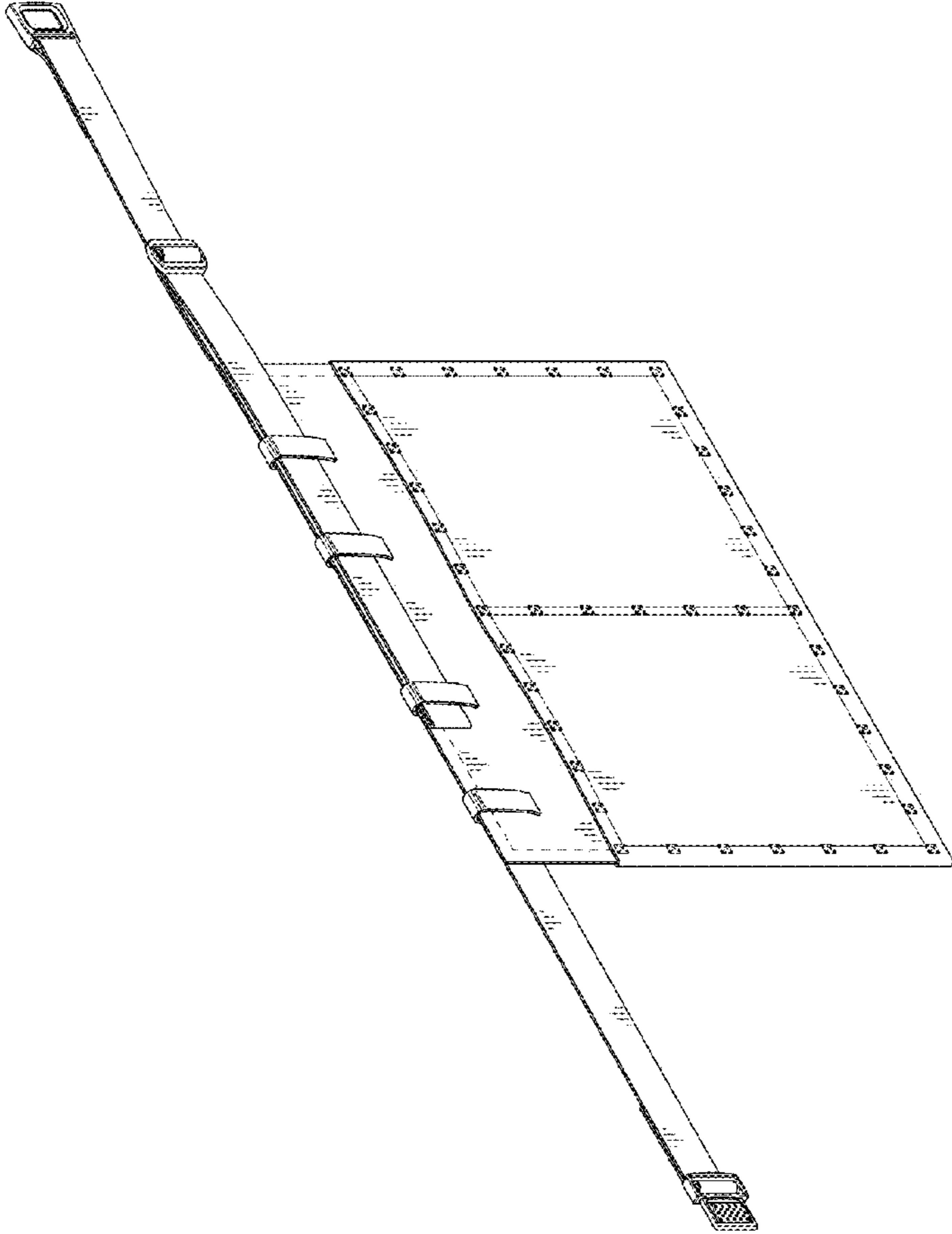


FIG. 1

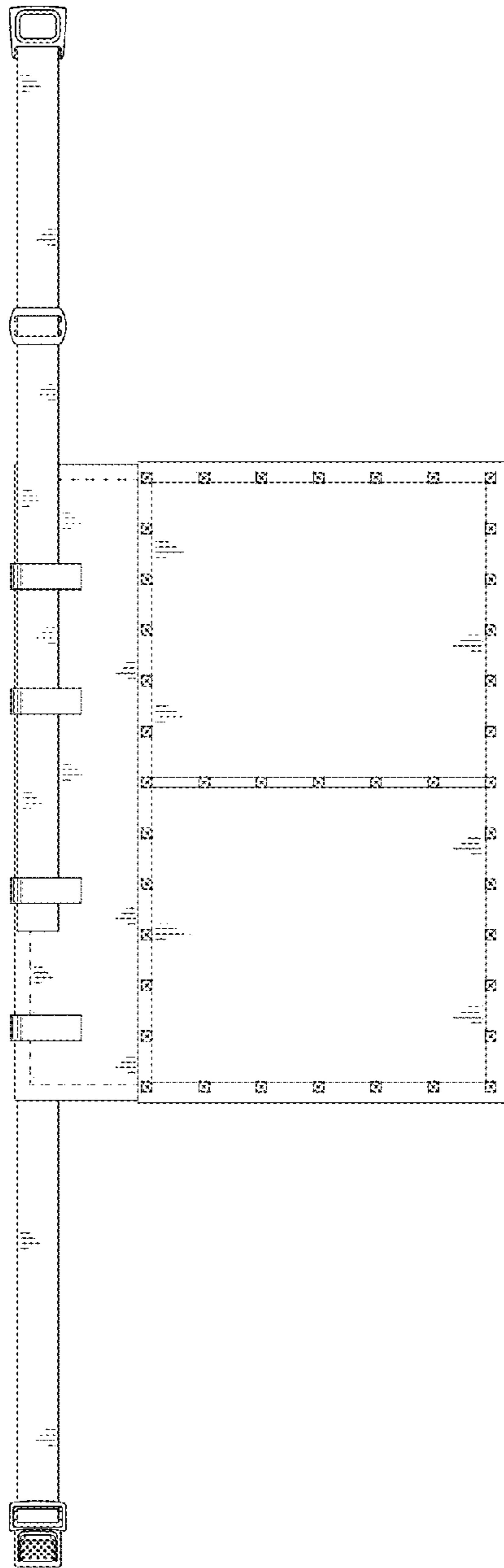


FIG. 2

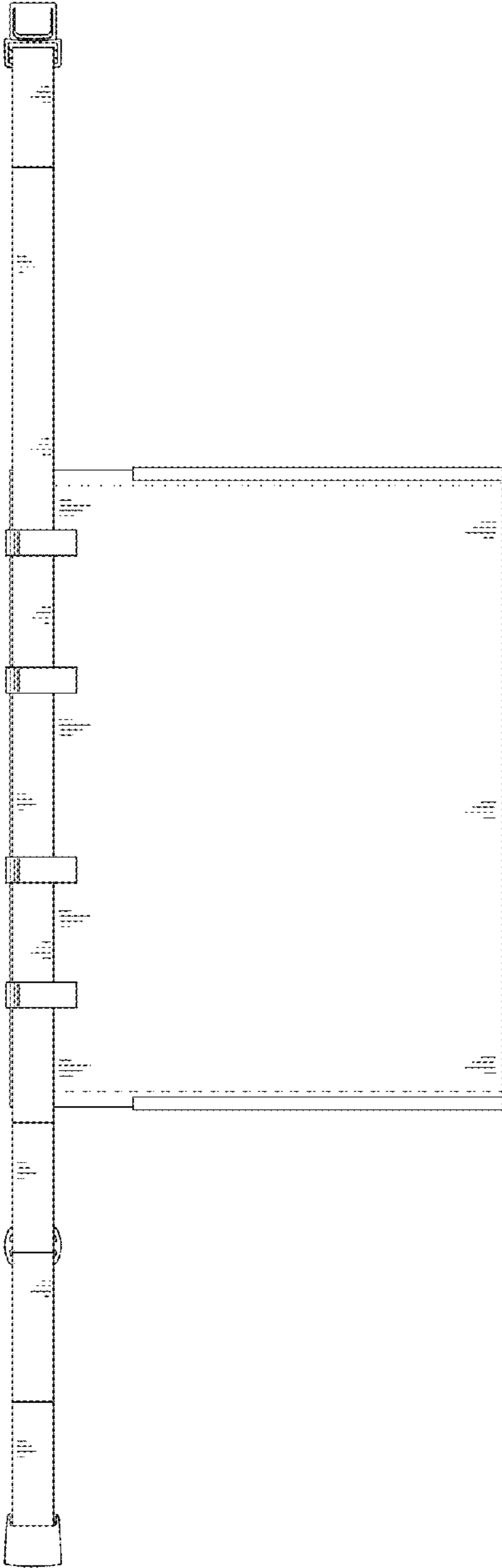


FIG. 3



FIG. 4



FIG. 5

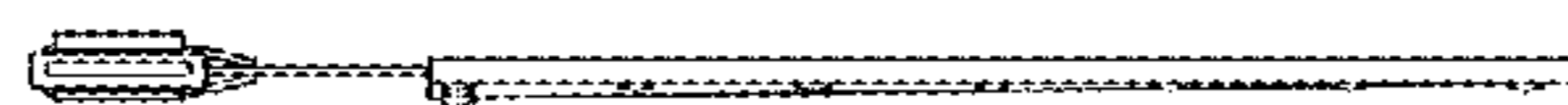


FIG. 6

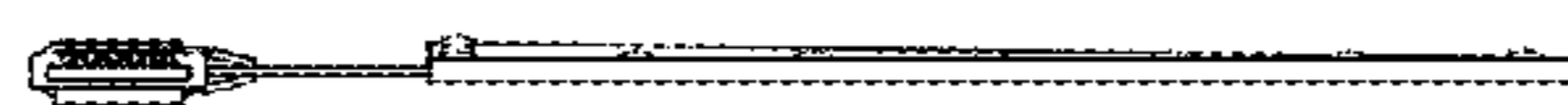


FIG. 7

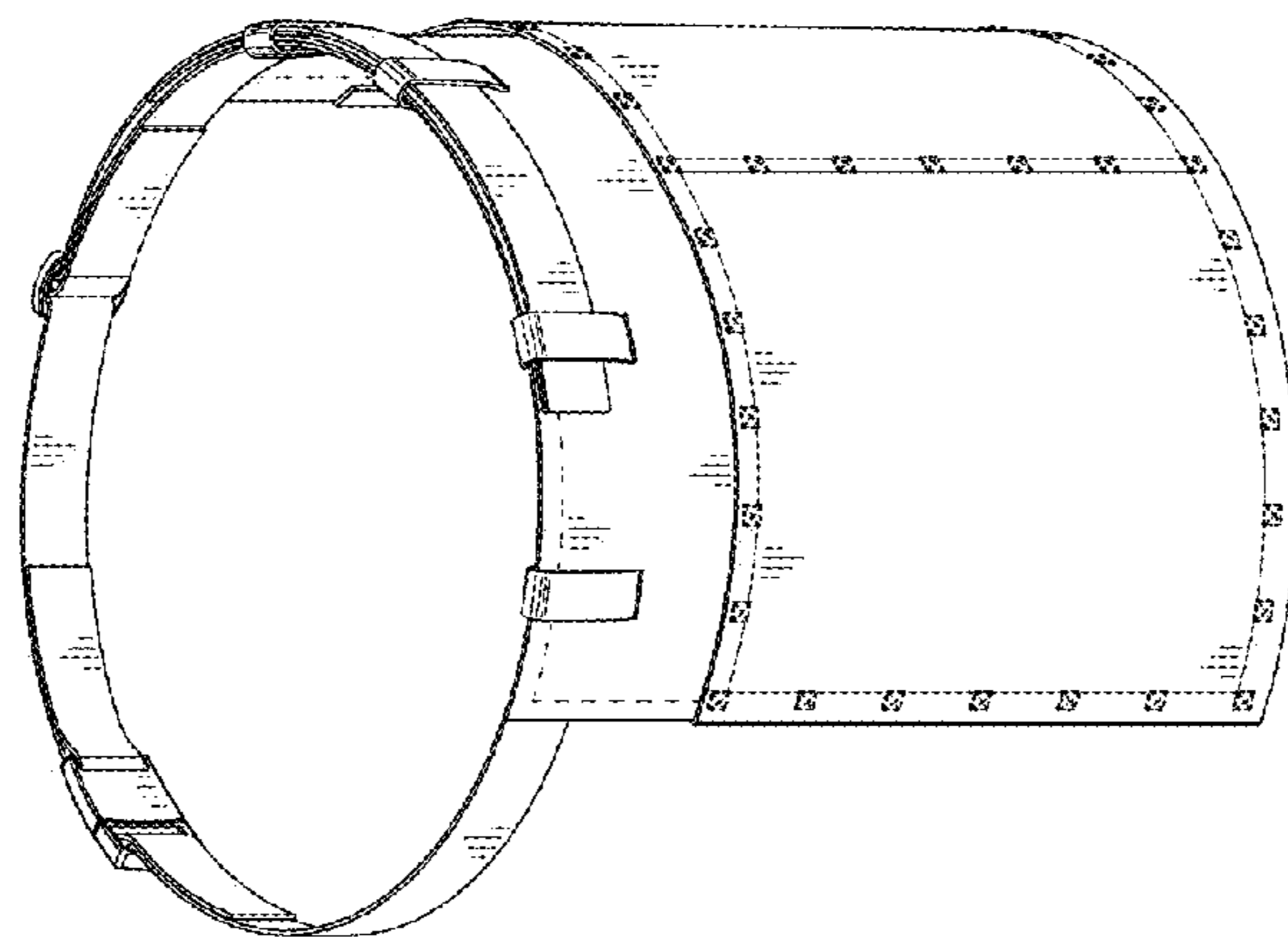


FIG. 8

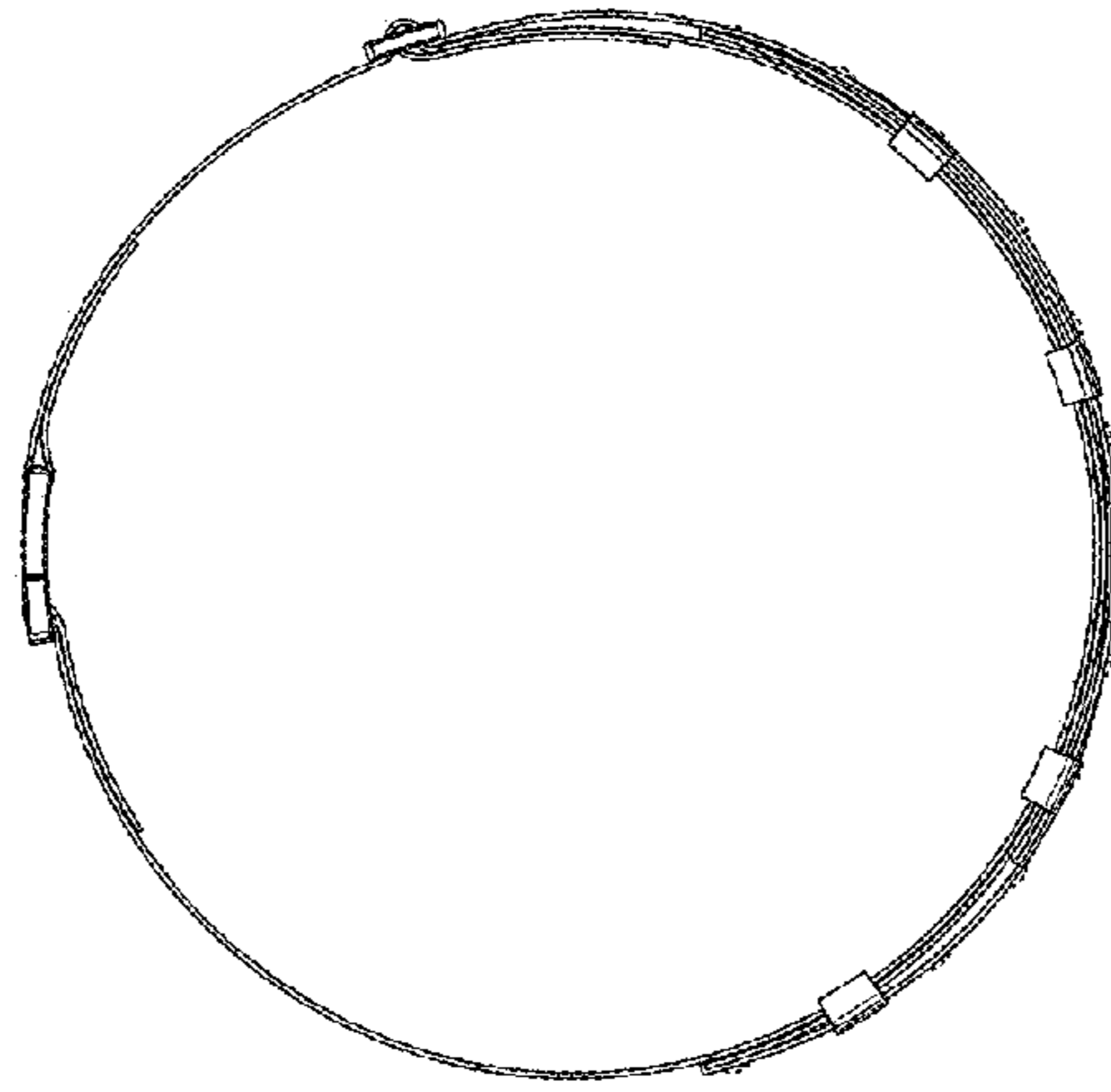


FIG. 10

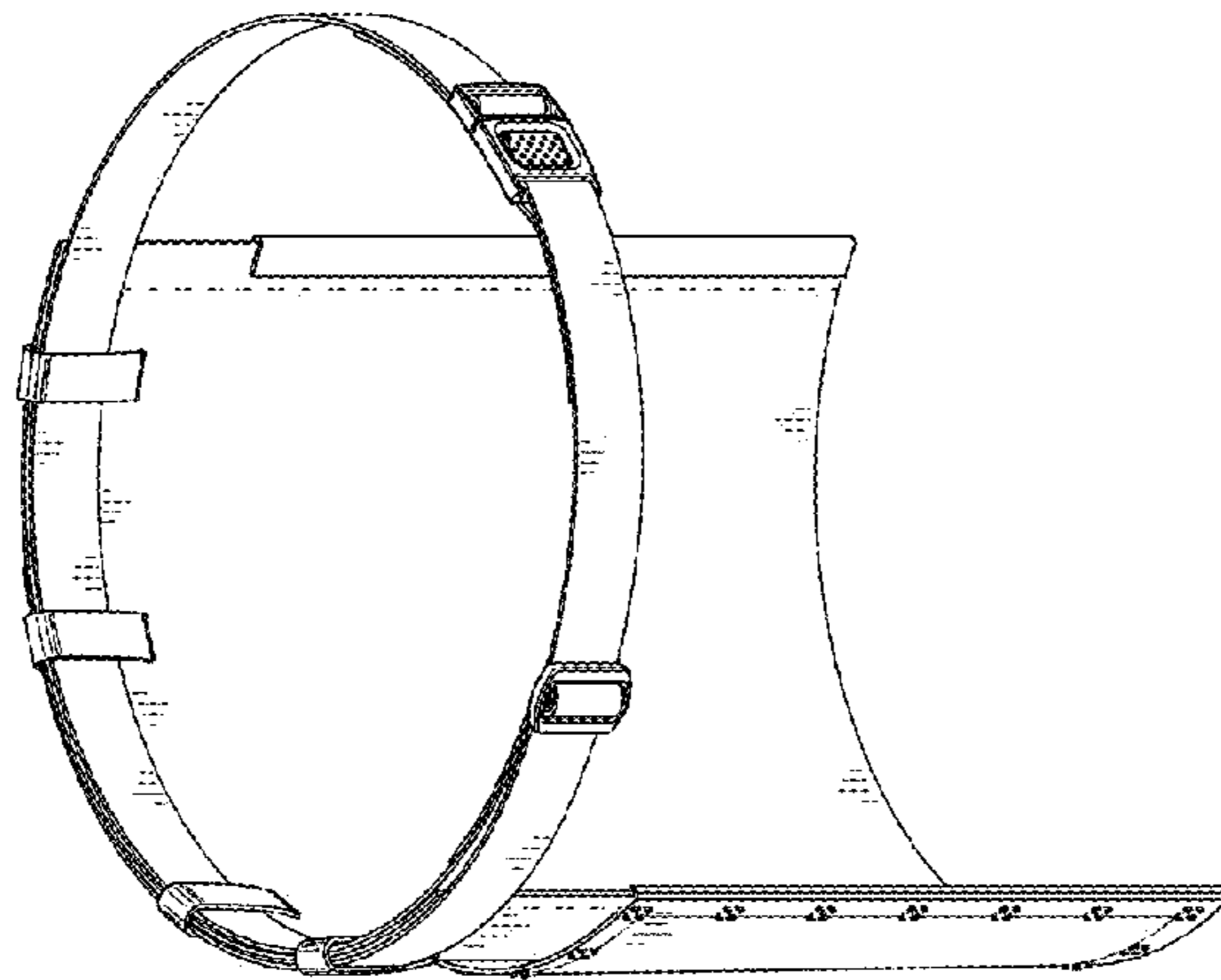


FIG. 9