



US00D757389S

(12) **United States Design Patent**  
**Lee et al.**

(10) **Patent No.:** **US D757,389 S**  
(45) **Date of Patent:** **\*\* May 24, 2016**

(54) **AUTOMATED TELLER MACHINE**

(56) **References Cited**

(71) Applicant: **Nautilus Hyosung Inc.**, Seoul (KR)

U.S. PATENT DOCUMENTS

(72) Inventors: **Hee Youn Lee**, Sungnam-si (KR); **Jae Min Cha**, Sungnam-si (KR); **Jae Min Park**, Anyang-si (KR)

D419,277 S *	1/2000	Ishii .....	D99/28
D427,742 S *	7/2000	McCormack .....	D99/28
D449,420 S *	10/2001	Sommerville .....	D99/28
D449,726 S *	10/2001	Lin .....	D99/28
D505,765 S *	5/2005	Swaine .....	D99/28
D529,255 S *	9/2006	Sato .....	D99/28
D603,125 S *	10/2009	Lara Bartolome .....	D99/28
D626,544 S *	11/2010	Bleck .....	D14/307
D626,545 S *	11/2010	Bleck .....	D14/307
D631,676 S *	2/2011	Kruse .....	D6/699
D674,985 S *	1/2013	Lee .....	D14/900
D678,652 S *	3/2013	Budde .....	D14/901
D679,885 S *	4/2013	Pollmann .....	D99/28
D689,665 S *	9/2013	Pollmann .....	D99/28
D708,814 S *	7/2014	Lee .....	D99/28
D709,264 S *	7/2014	Lee .....	D99/28
D721,215 S *	1/2015	Lee .....	D99/28
D721,341 S *	1/2015	Lee .....	D13/182
D724,290 S *	3/2015	Cha .....	D99/28
D724,812 S *	3/2015	Cha .....	D99/28
D732,263 S *	6/2015	Budde .....	D99/28
D734,314 S *	7/2015	Swaine .....	D14/307

(73) Assignee: **NAUTILUS HYOSUNG INC.**, Seoul (KR)

(\*\*) Term: **14 Years**

(21) Appl. No.: **29/510,967**

(22) Filed: **Dec. 4, 2014**

(30) **Foreign Application Priority Data**

Oct. 24, 2014 (KR) ..... 30-2014-0051155

(51) **LOC (10) Cl.** ..... **99-00**

(52) **U.S. Cl.**  
USPC ..... **D99/28**

(58) **Field of Classification Search**  
USPC ..... D99/28, 34, 35, 36, 43, 99;  
D14/300-302, 305, 307, 900-902;  
D18/3.1-3.3, 4.1-4.6, 12.1-12.3;  
D21/324, 325, 329, 369, 370; 101/66;  
109/1 R, 1 V, 2, 23, 24.1, 25, 58, 58.5,  
109/66; 446/8-13; 705/16, 17, 18, 42, 43,  
705/44, 45; 235/51, 379, 380, 381, 382,  
235/382.5, 386; 206/0.8, 0.81, 0.815, 0.82,  
206/0.83, 0.84  
CPC ... E05B 65/0071; E05B 65/0075; E05G 1/00;  
E05G 1/005; E05G 5/00; E05G 5/006; G07B  
1/00; G07B 3/00; G06Q 20/10; G06Q 20/102;  
G06Q 20/105; G06Q 20/108; G06Q 20/1085;  
G06Q 20/18; G06Q 20/20

See application file for complete search history.

(Continued)

*Primary Examiner* — Elizabeth J Oswecki

(74) *Attorney, Agent, or Firm* — Fenwick & West LLP

(57) **CLAIM**

The ornamental design for an automated teller machine, as shown and described.

**DESCRIPTION**

FIG. 1 is a perspective view of an automated teller machine, showing our new design.

FIG. 2 is a front view thereof.

FIG. 3 is a rear view thereof.

FIG. 4 is a left side view thereof.

FIG. 5 is a right side view thereof.

FIG. 6 is a top view thereof; and,

FIG. 7 is a bottom view thereof.

**1 Claim, 7 Drawing Sheets**

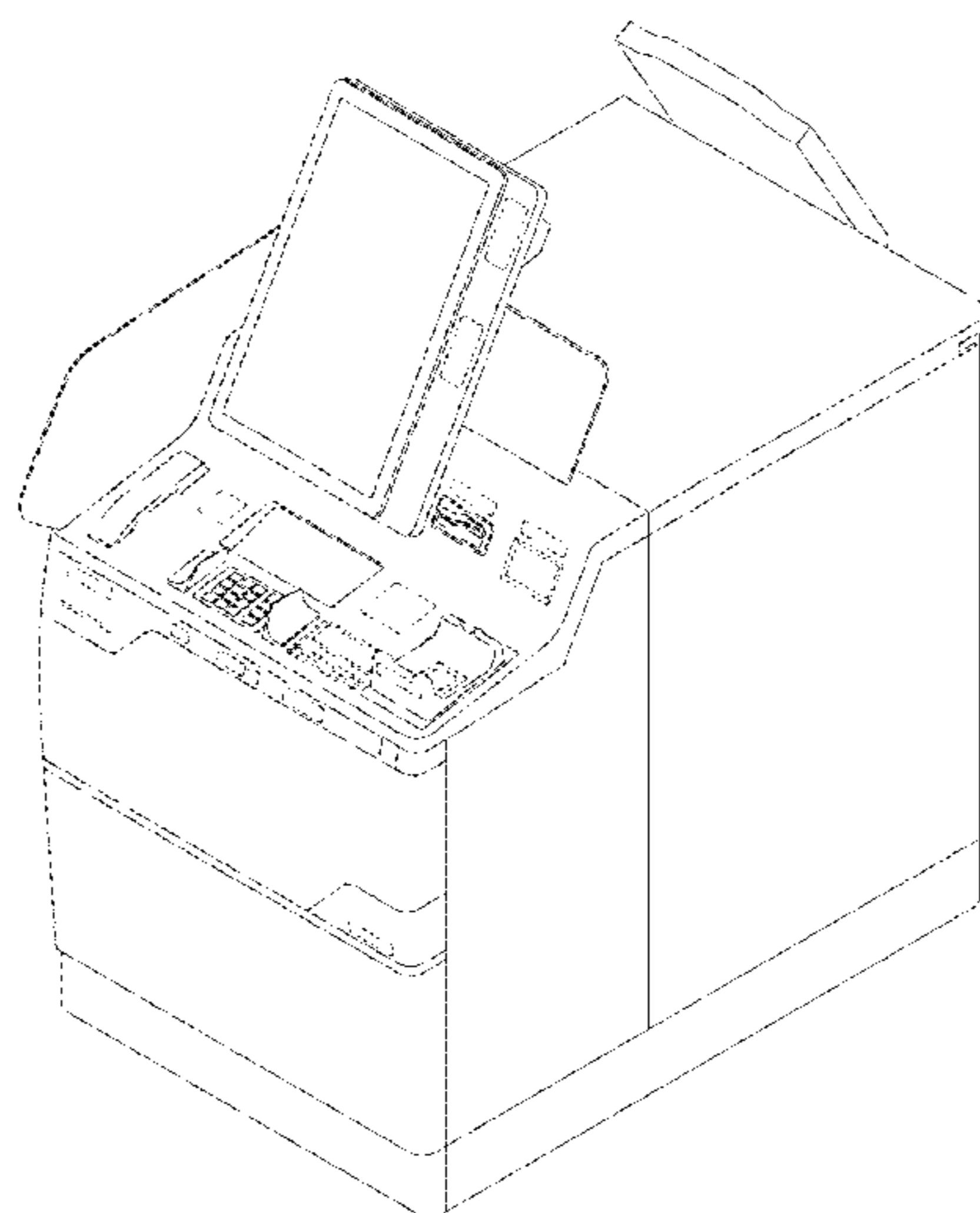




Fig 1

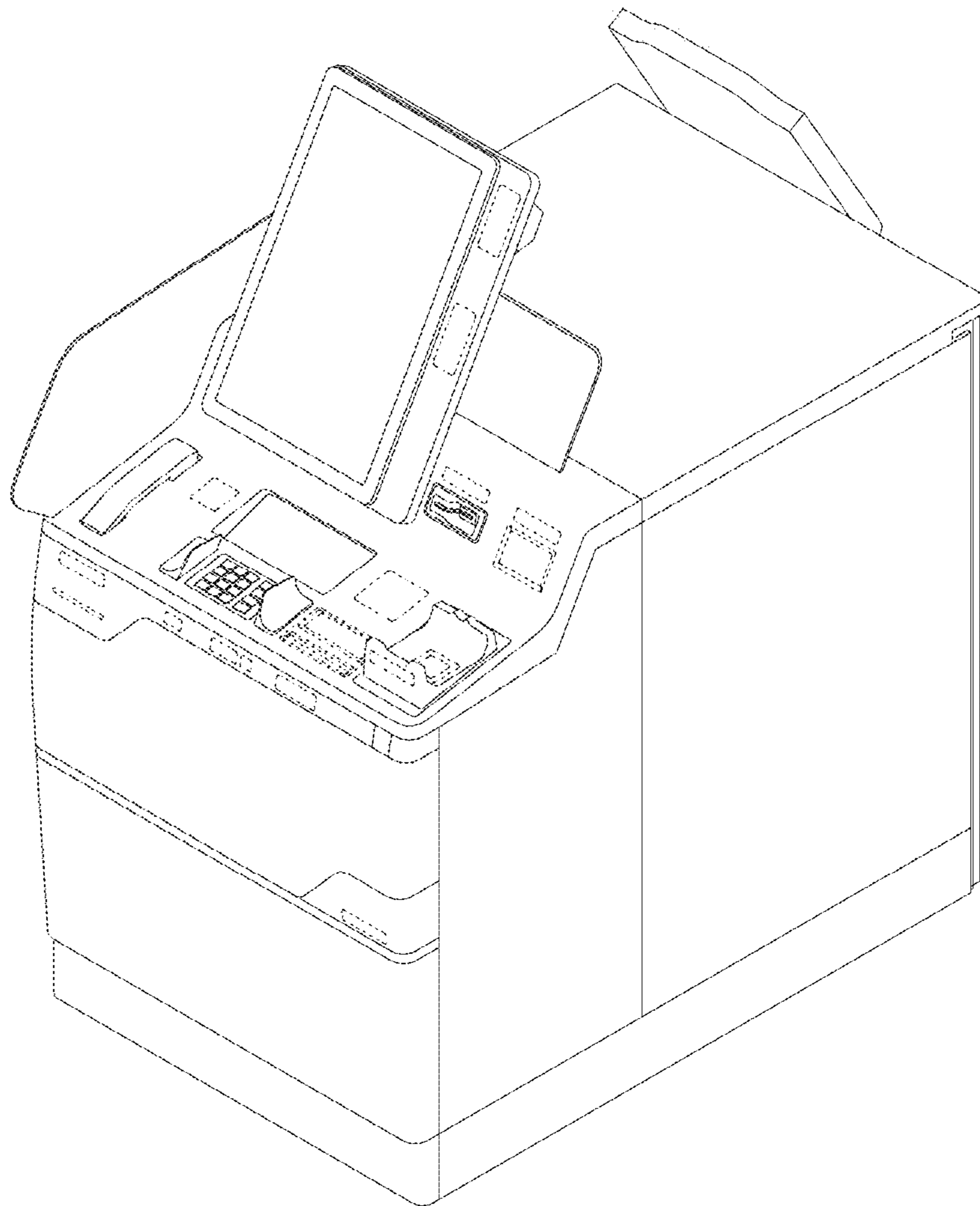


Fig 2

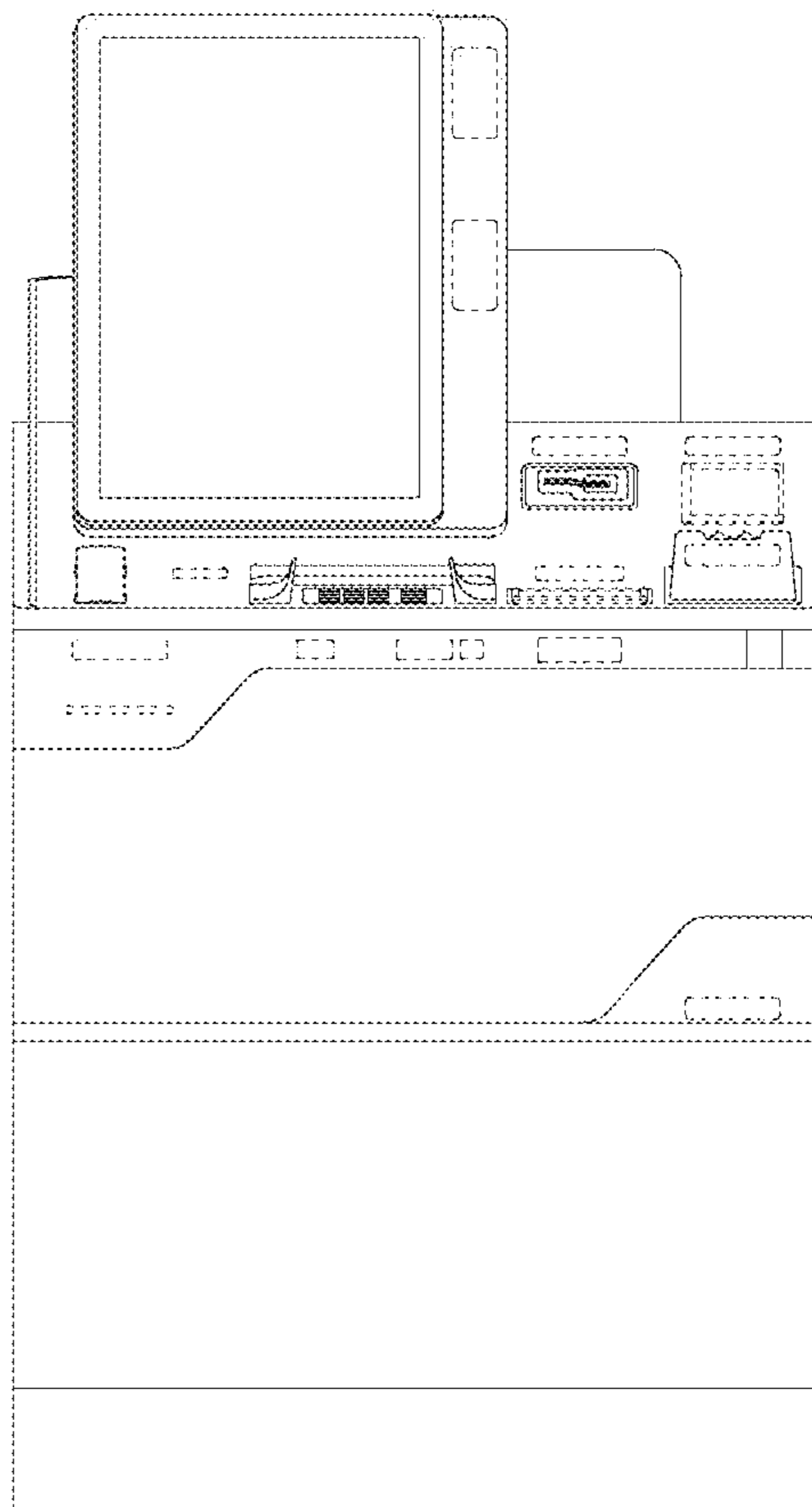


Fig 3

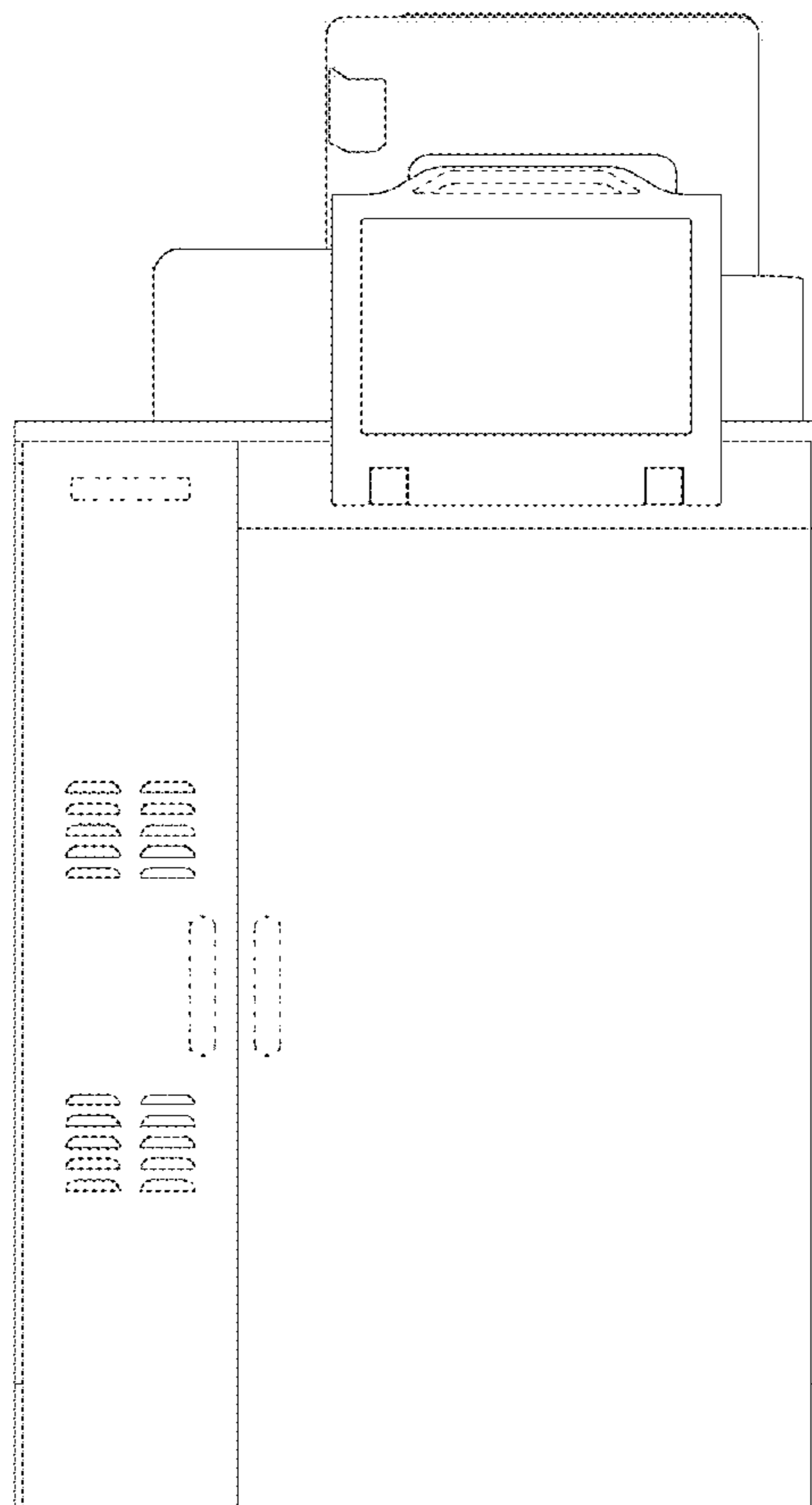


Fig 4

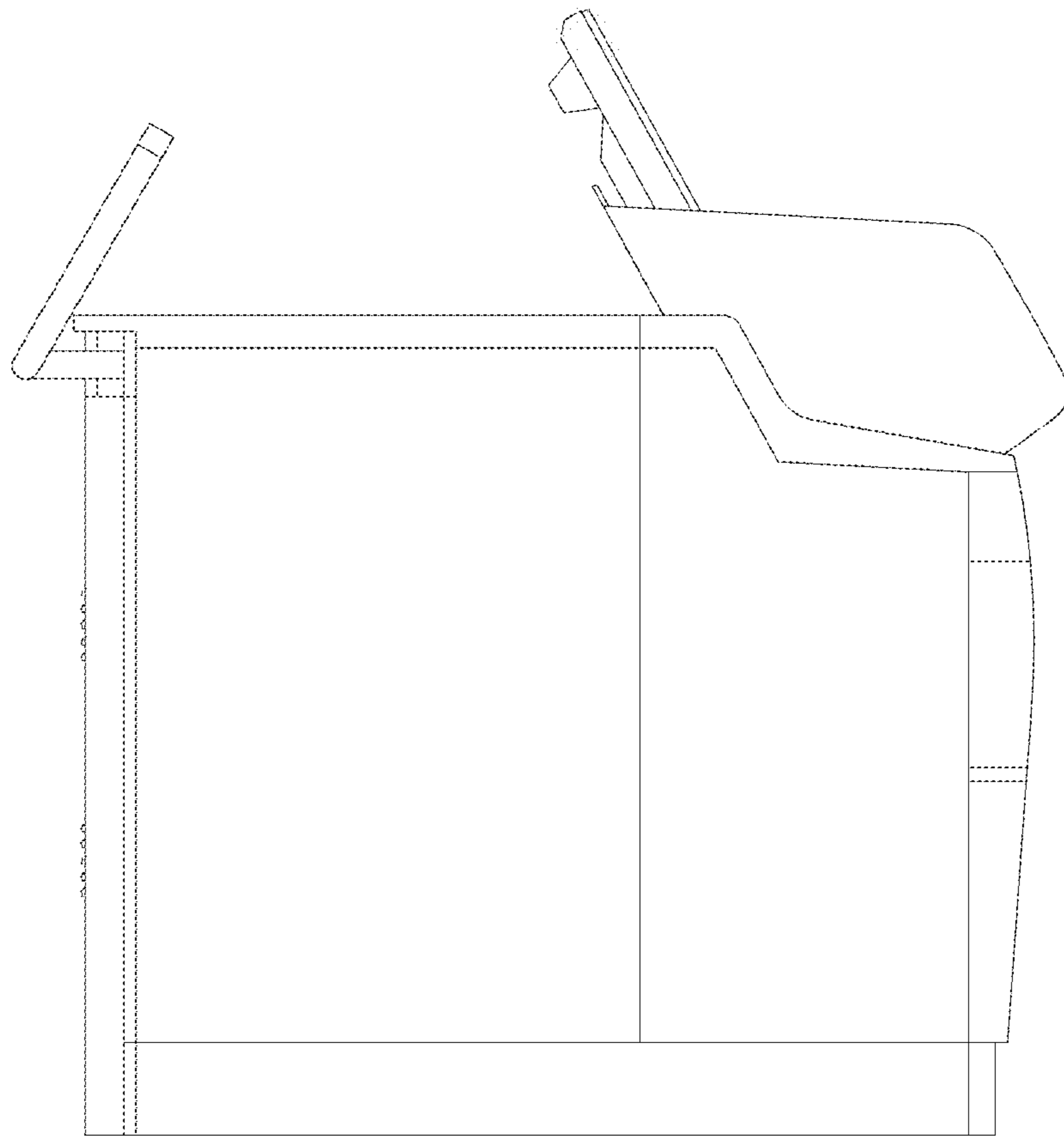


Fig 5

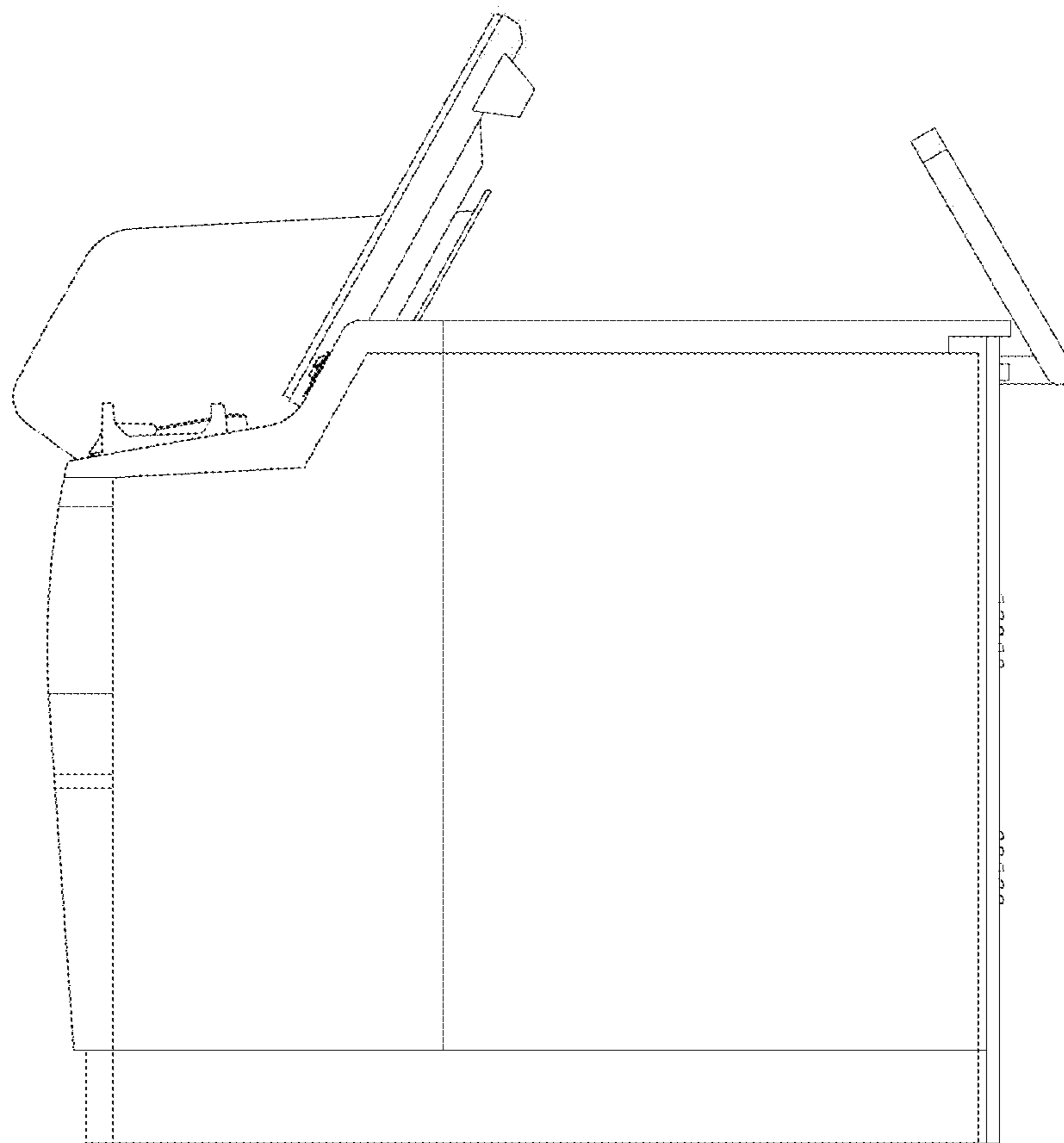


Fig 6

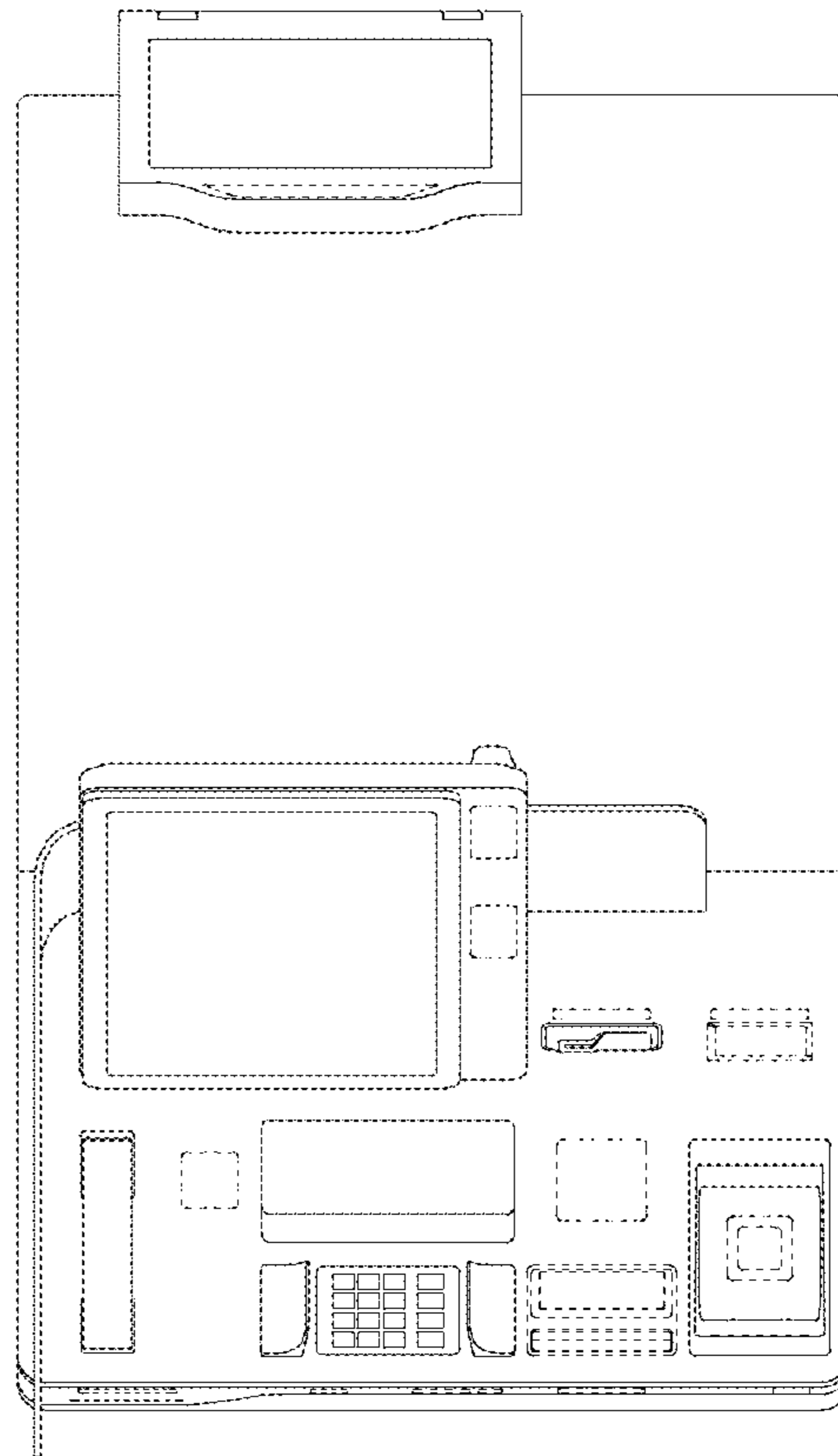




Fig 7

