

US00D757388S

(12) **United States Design Patent**
Rocha

(10) **Patent No.:** **US D757,388 S**
(45) **Date of Patent:** **** May 24, 2016**

- (54) **BEACH EQUIPMENT CART**
- (71) Applicant: **Jesus G. Rocha**, San Benito, TX (US)
- (72) Inventor: **Jesus G. Rocha**, San Benito, TX (US)
- (**) Term: **14 Years**
- (21) Appl. No.: **29/474,992**
- (22) Filed: **Apr. 14, 2015**
- (51) **LOC (10) Cl.** **12-02**
- (52) **U.S. Cl.**
USPC **D34/26**
- (58) **Field of Classification Search**
USPC D34/12-27; 280/11, 43.1, 42, 43.14,
280/43.24, 47.18, 47.24, 655, 652, 47.26,
280/47.27, 47.28, 47.33
CPC B62B 1/12; B62B 1/208; B62B 1/125;
B62B 1/002; B62B 2202/26; B62B 2202/404;
B62B 2202/24; B62B 3/002
See application file for complete search history.

- 6,626,453 B1 9/2003 Theus et al.
- D530,876 S * 10/2006 Wyse D34/17
- D630,814 S * 1/2011 Smith D34/12
- D669,242 S * 10/2012 Baldemor D34/12
- 2002/0105169 A1 * 8/2002 Dahl B62B 1/002
280/651
- 2003/0030239 A1 * 2/2003 Woerner B62B 3/002
280/47.35
- 2014/0139010 A1 5/2014 Brown

* cited by examiner

Primary Examiner — Cynthia Ramirez

(74) *Attorney, Agent, or Firm* — Suzanne Kikel

(57) **CLAIM**

The ornamental design for a beach equipment cart, as shown and described.

DESCRIPTION

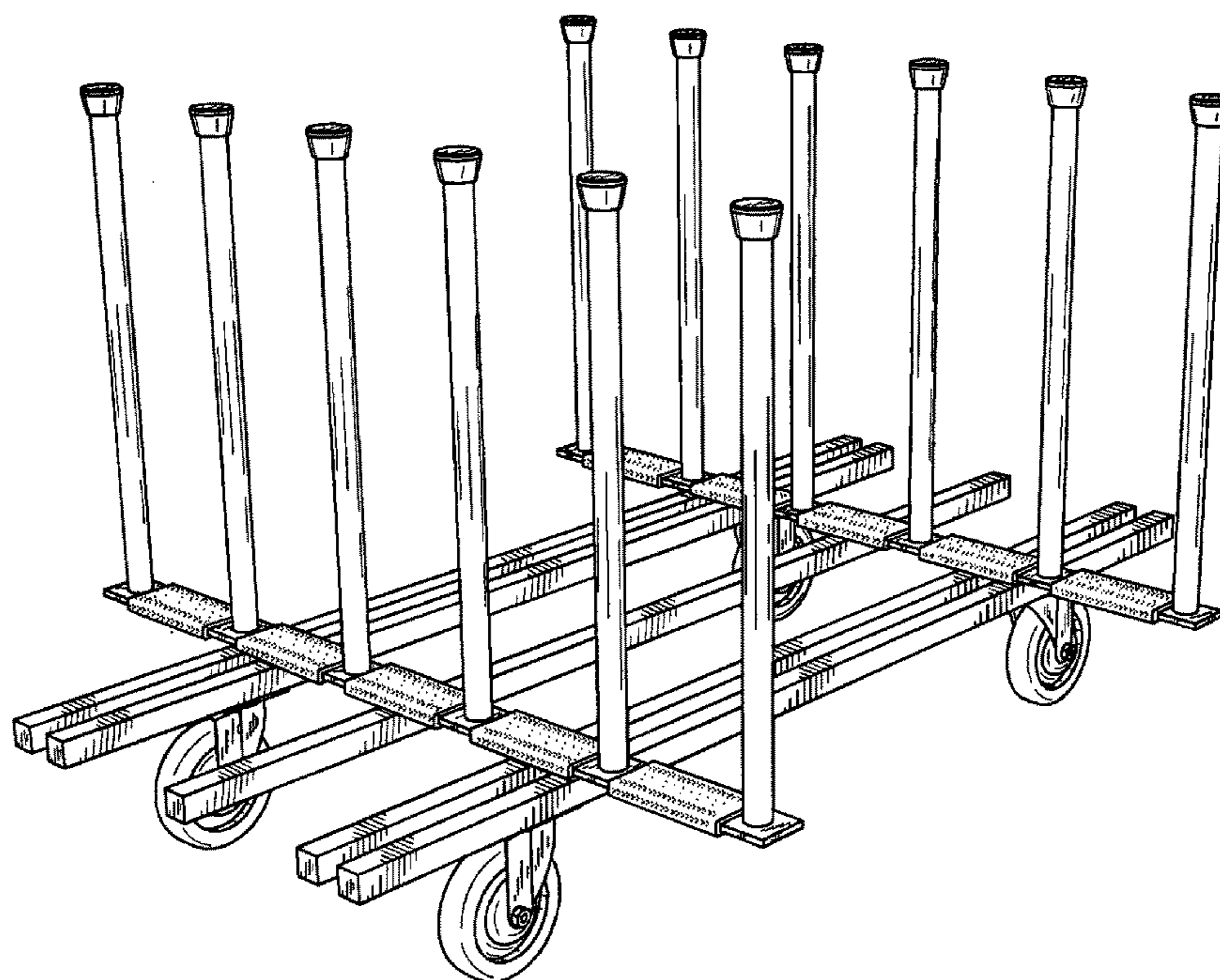
FIG. 1 is a perspective view of a beach equipment cart.
 FIG. 2 is a perspective view of the beach equipment cart transporting a surfboard.
 FIG. 3 is a front view thereof, the rear view being a mirror image thereof.
 FIG. 4 is a left side view thereof, the right side view being a mirror image thereof.
 FIG. 5 is a top plan view thereof; and,
 FIG. 6 is a bottom plan view thereof.
 The broken line showing of a surf board in FIG. 2 is included for the purpose of illustrating environment and forms no part of the claimed design.

1 Claim, 6 Drawing Sheets

(56) **References Cited**

U.S. PATENT DOCUMENTS

- D162,230 S * 2/1951 Sasser 280/79.7
- D182,421 S * 4/1958 Levie 280/47.34
- D203,585 S * 2/1966 Triggs D34/17
- 3,851,891 A 12/1974 Liu
- 4,618,157 A 10/1986 Resnick
- D304,111 S * 10/1989 Mehalick D34/12
- D359,827 S * 6/1995 Biasini D34/12
- D388,923 S * 1/1998 Pacheco D34/12



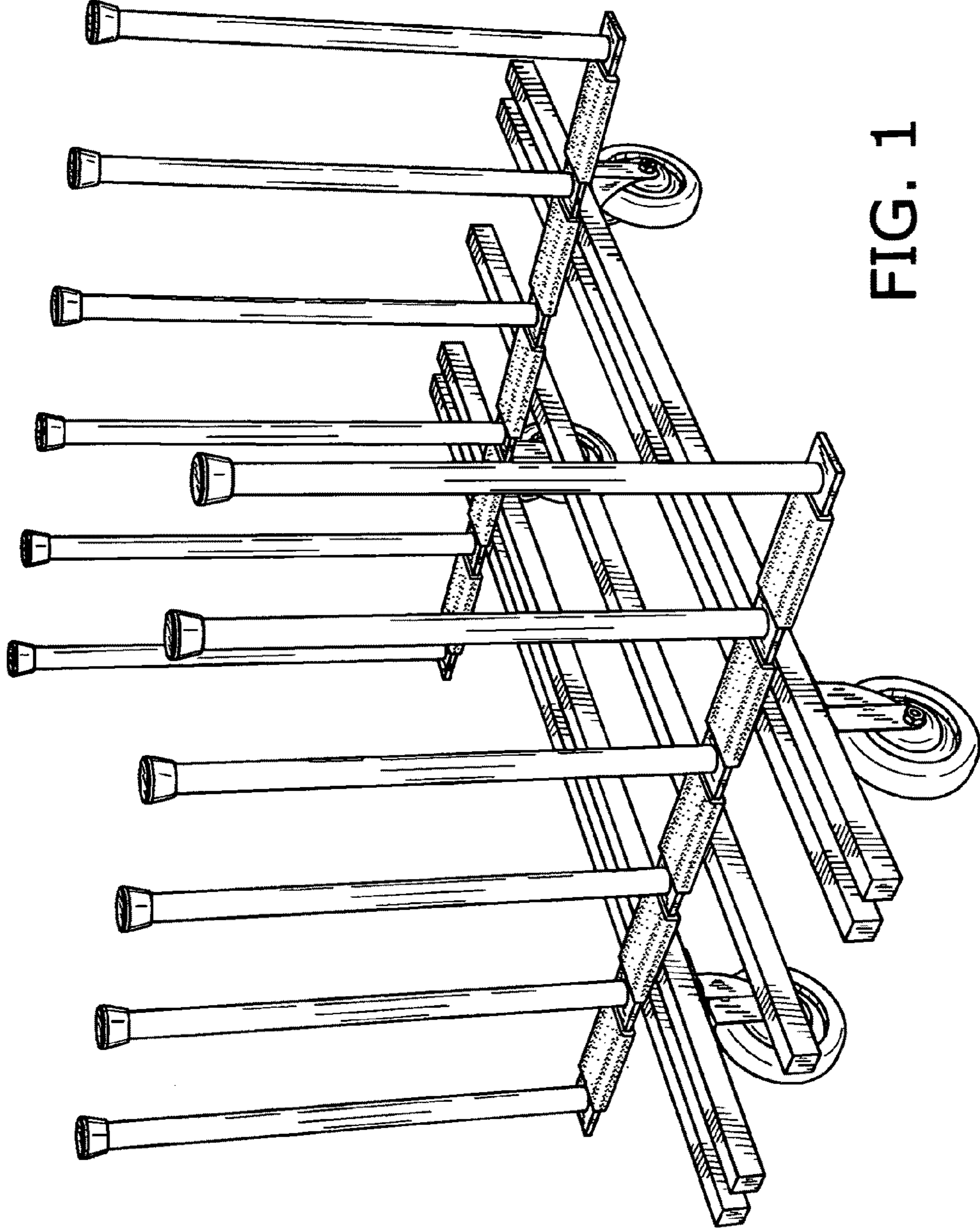


FIG. 1

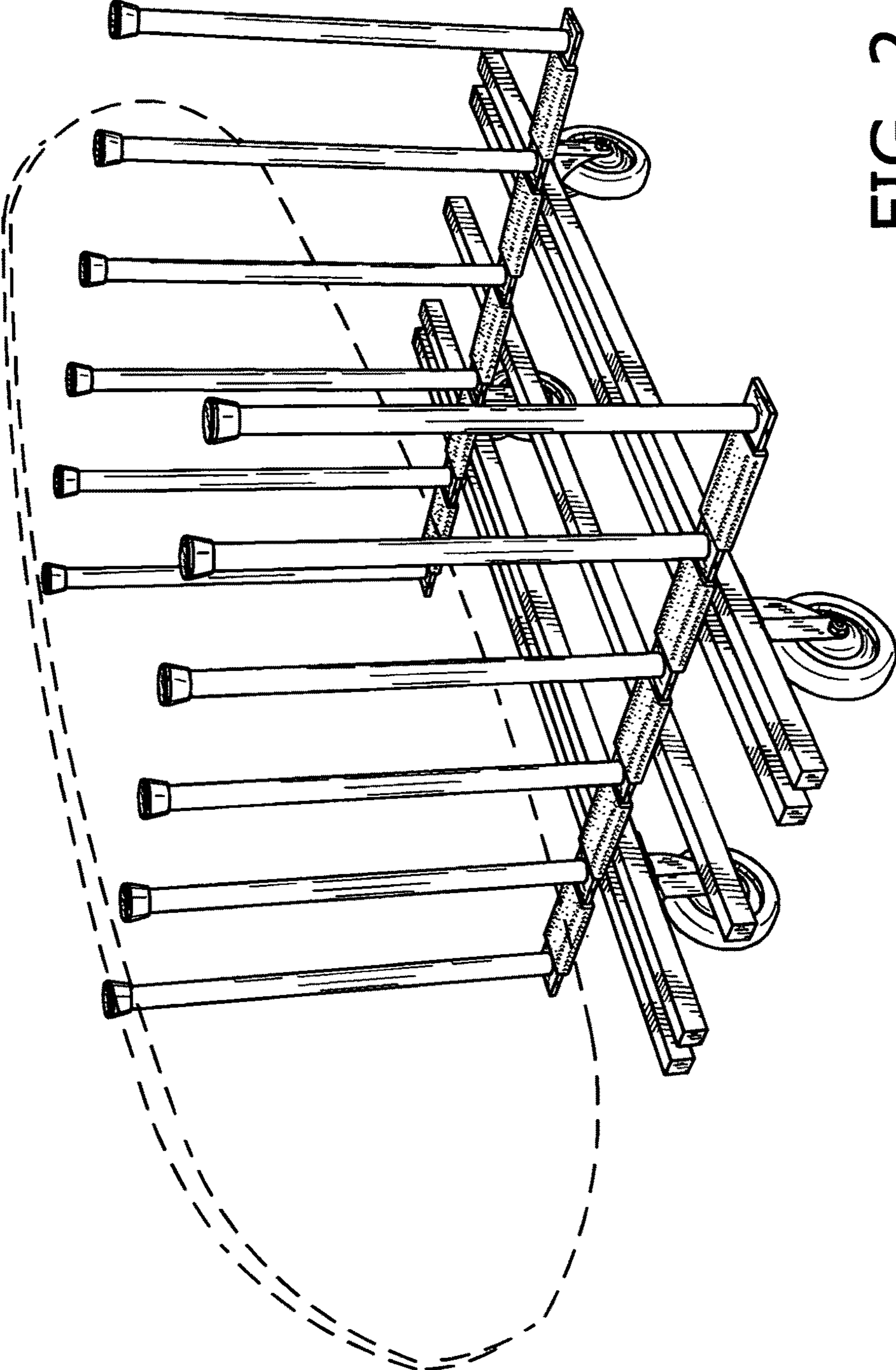


FIG. 2

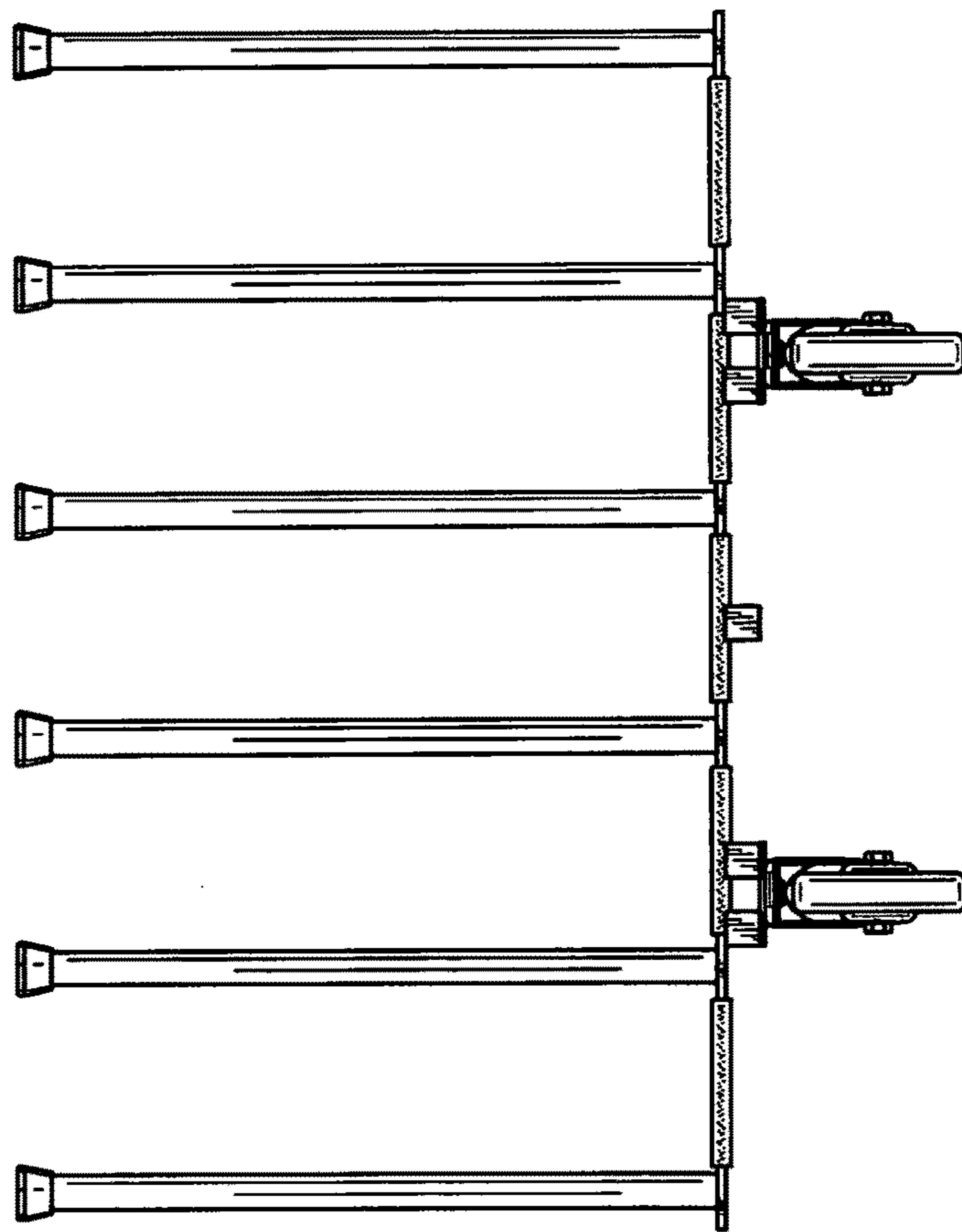


FIG. 3

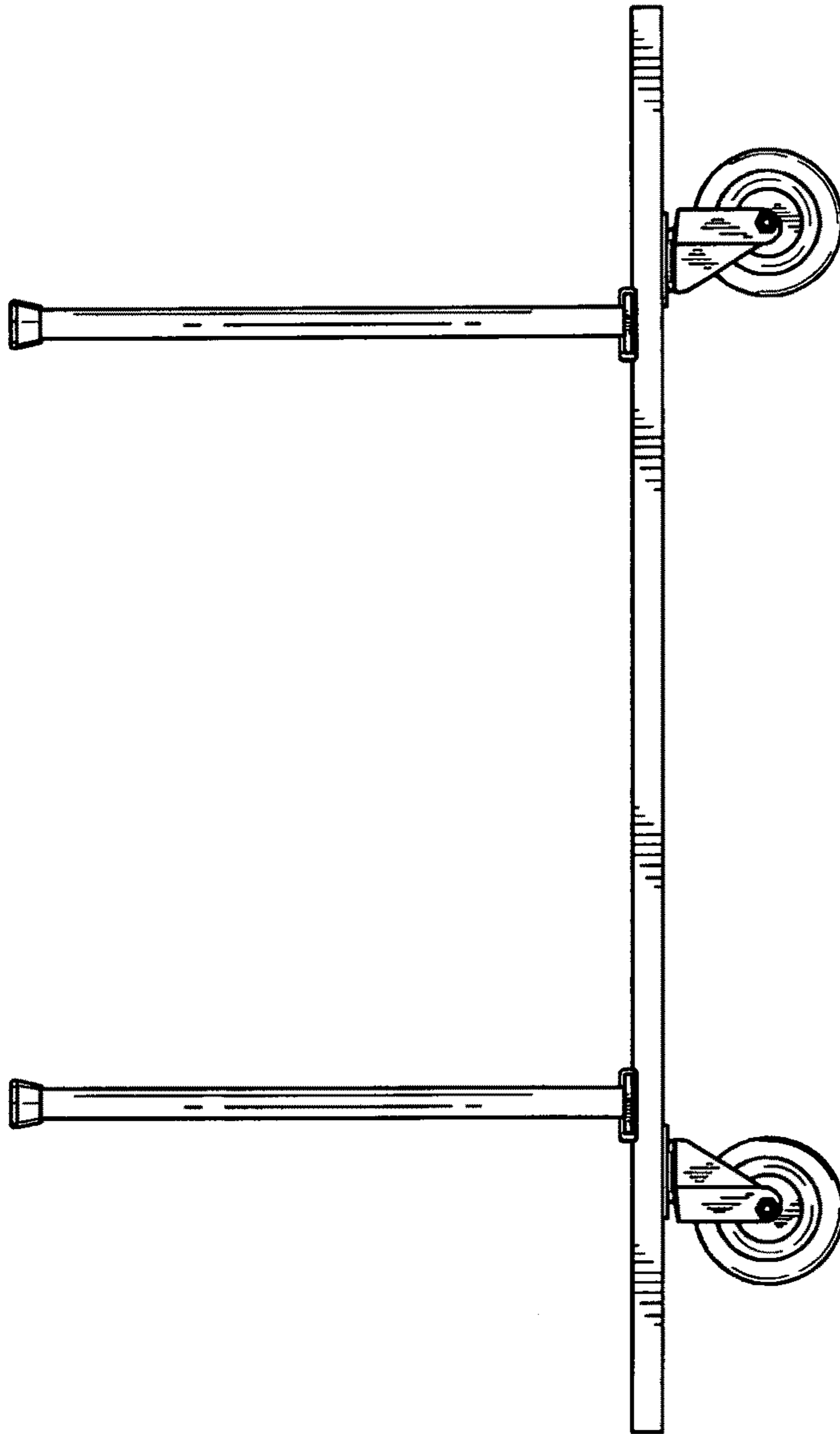


FIG. 4

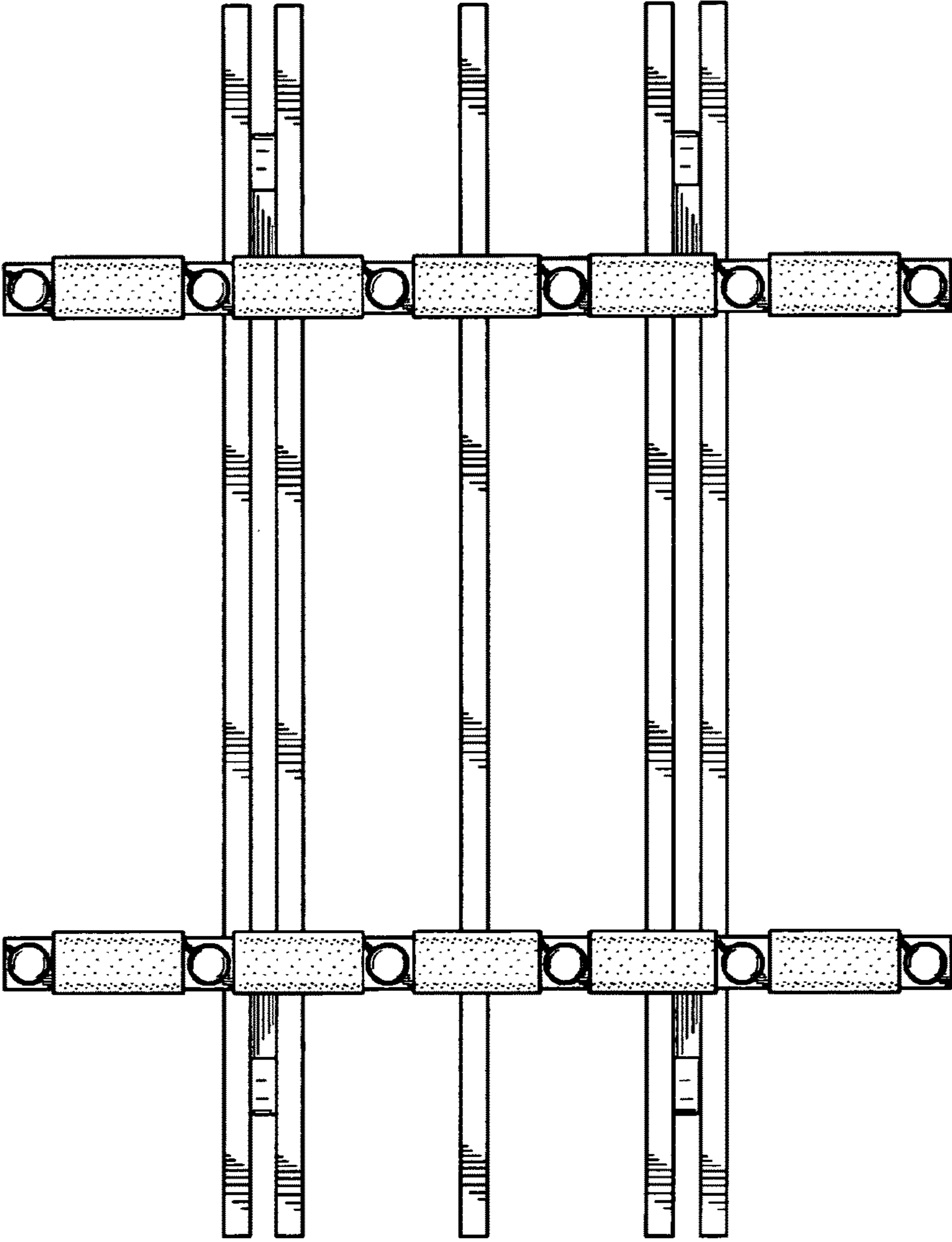


FIG. 5

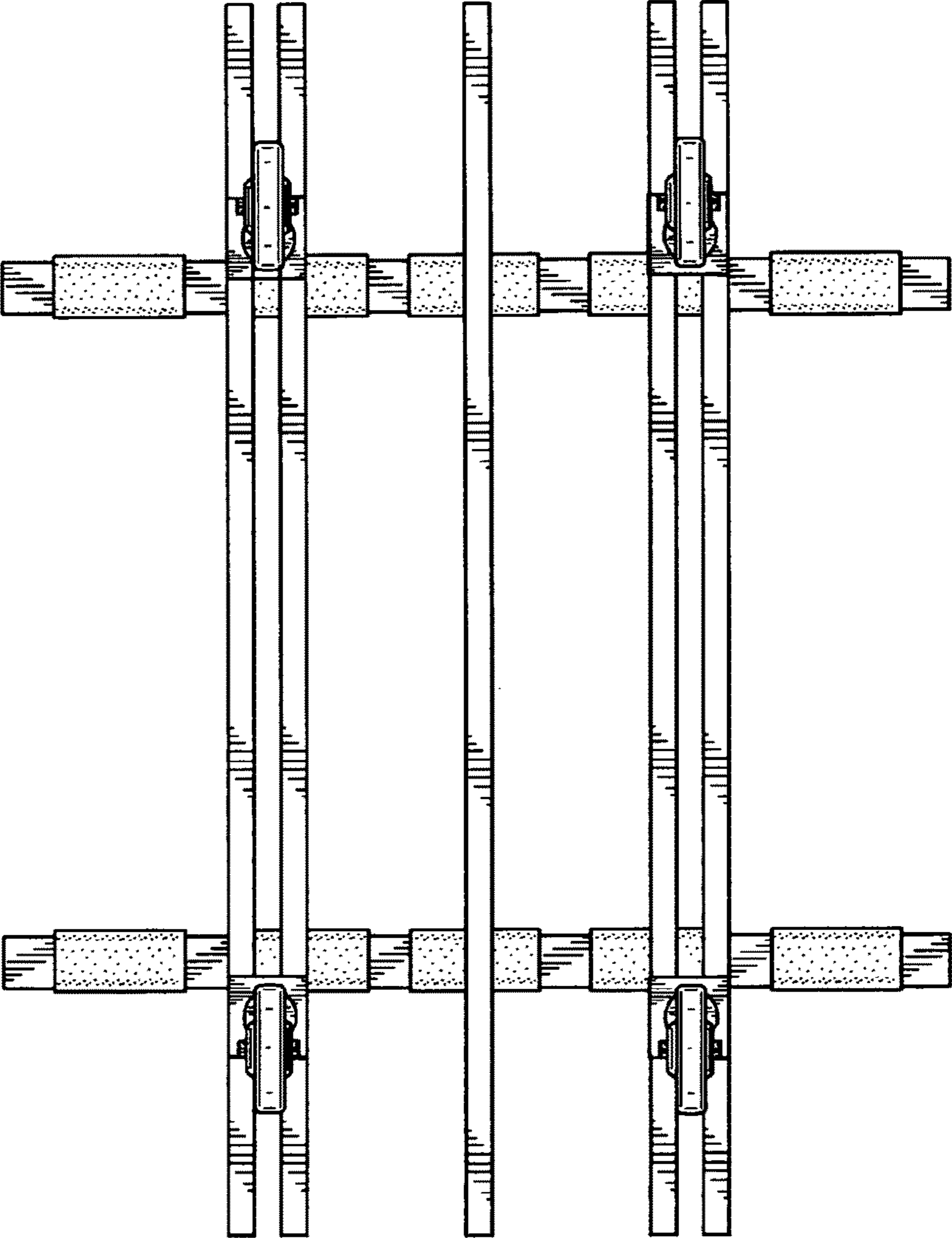


FIG. 6