



US00D757385S

(12) **United States Design Patent**  
**Peake-Atkins et al.**

(10) **Patent No.:** **US D757,385 S**  
(45) **Date of Patent:** **\*\* May 24, 2016**

- (54) **WASTE RECEPTACLE WITH LID**
- (71) Applicant: **Gorrie Marketing Services,**  
Mississauga (CA)
- (72) Inventors: **Sean Peake-Atkins,** Toronto (CA);  
**James A. Morison,** Ajax (CA)
- (73) Assignee: **Gorrie Marketing Services,**  
Mississauga (CA)
- (\*\*) Term: **14 Years**
- (21) Appl. No.: **29/477,248**
- (22) Filed: **Dec. 20, 2013**
- (30) **Foreign Application Priority Data**  
Jun. 28, 2013 (CA) ..... 151851
- (51) **LOC (10) Cl.** ..... **09-09**
- (52) **U.S. Cl.**  
USPC ..... **D34/7**
- (58) **Field of Classification Search**  
USPC ..... D34/1-11; 220/908-911, 912, 913,  
220/476, 477, 479, 480, 481, 908.1, 200;  
D24/121; 232/43.1, 43.2; 209/930  
CPC ..... B65F 1/1607; B65F 1/067; B03B 9/06;  
B07B 13/00  
See application file for complete search history.

- (56) **References Cited**  
**U.S. PATENT DOCUMENTS**  
D466,264 S \* 11/2002 Sierra, II ..... D34/1  
D586,521 S \* 2/2009 Pho ..... D34/11  
D591,470 S \* 4/2009 Tuncel ..... D34/5

- D605,822 S \* 12/2009 Cantrell ..... D34/1
- D606,272 S \* 12/2009 Cantrell ..... D34/1
- 7,624,915 B2 \* 12/2009 Dembowski ..... B65F 1/1415  
220/495.08
- D617,519 S \* 6/2010 Malczewski ..... D34/1
- D638,598 S \* 5/2011 Ziech ..... D34/1
- D680,702 S \* 4/2013 Bennie ..... D34/1
- D681,301 S \* 4/2013 Bennie ..... D34/1
- 2009/0194579 A1 \* 8/2009 Dembowski ..... B65F 1/1415  
232/43.2

\* cited by examiner

*Primary Examiner* — Cynthia Ramirez  
*Assistant Examiner* — Gino Colan

(74) *Attorney, Agent, or Firm* — Bereskin & Parr  
LLP/S.E.N.C.R.L., s.r.l.

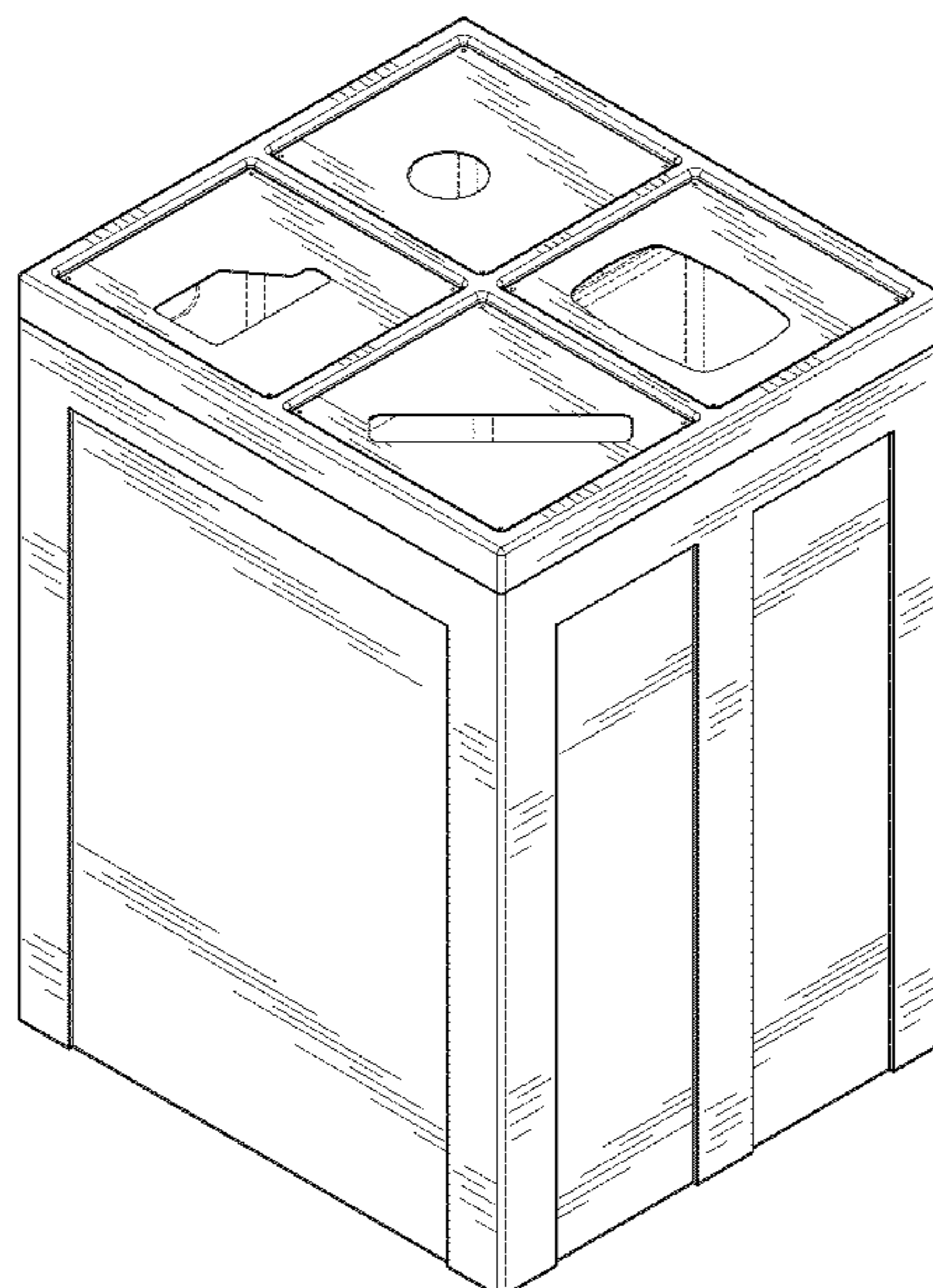
(57) **CLAIM**

The ornamental design of a waste receptacle with lid, as shown.

**DESCRIPTION**

FIG. 1 is a top perspective view of a waste receptacle with lid showing our new design;  
 FIG. 2 is a bottom perspective view of the waste receptacle with lid of FIG. 1;  
 FIG. 3 is a side elevation view of one side of the waste receptacle with lid of FIG. 1, the other side being identical;  
 FIG. 4 is a front view of the waste receptacle with lid of FIG. 1;  
 FIG. 5 is a rear view of the waste receptacle with lid of FIG. 1;  
 FIG. 6 is a top plan view of the waste receptacle with lid of FIG. 1; and,  
 FIG. 7 is bottom plan view of the waste receptacle with lid of FIG. 1.

**1 Claim, 4 Drawing Sheets**



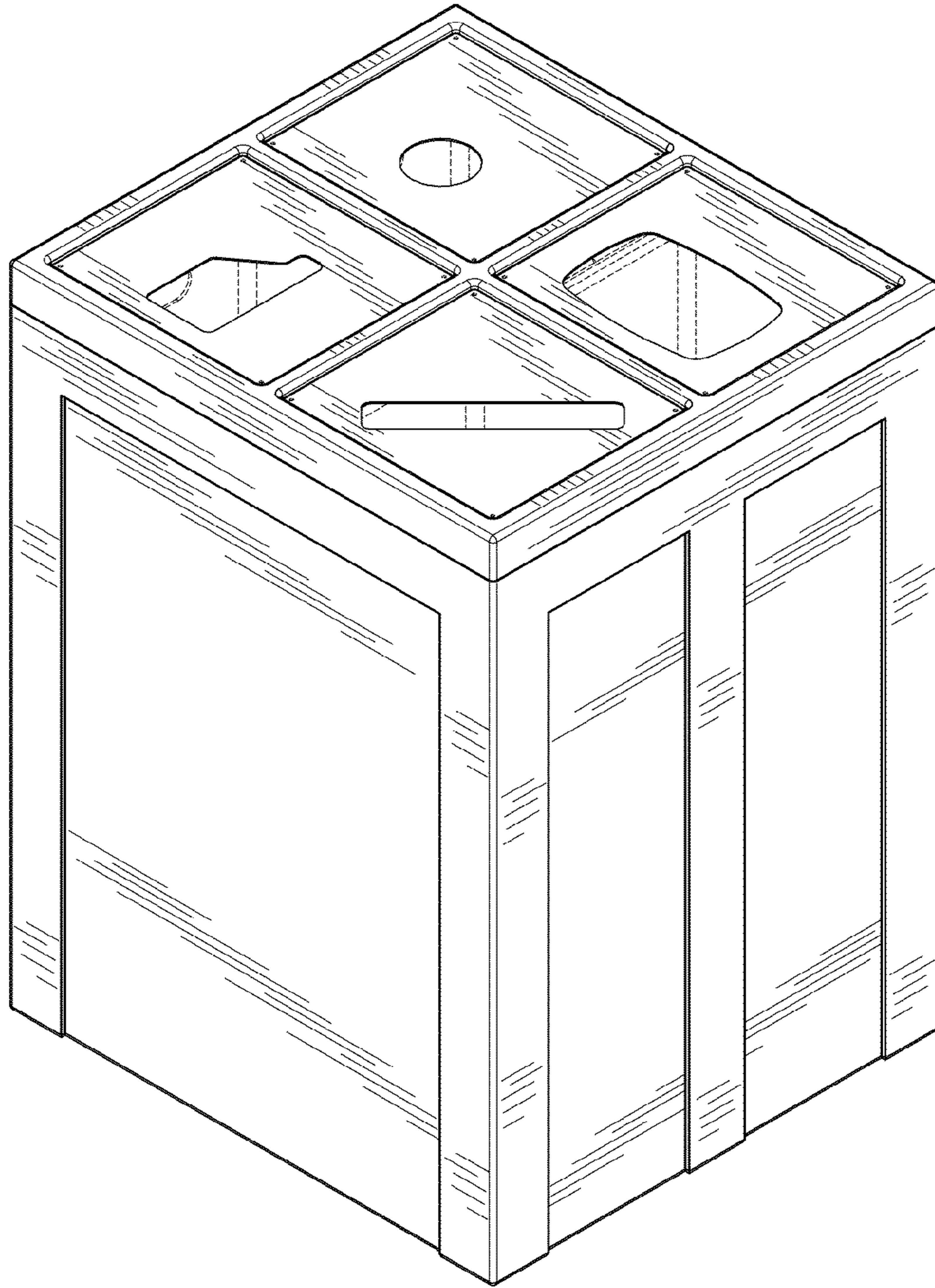


FIG. 1

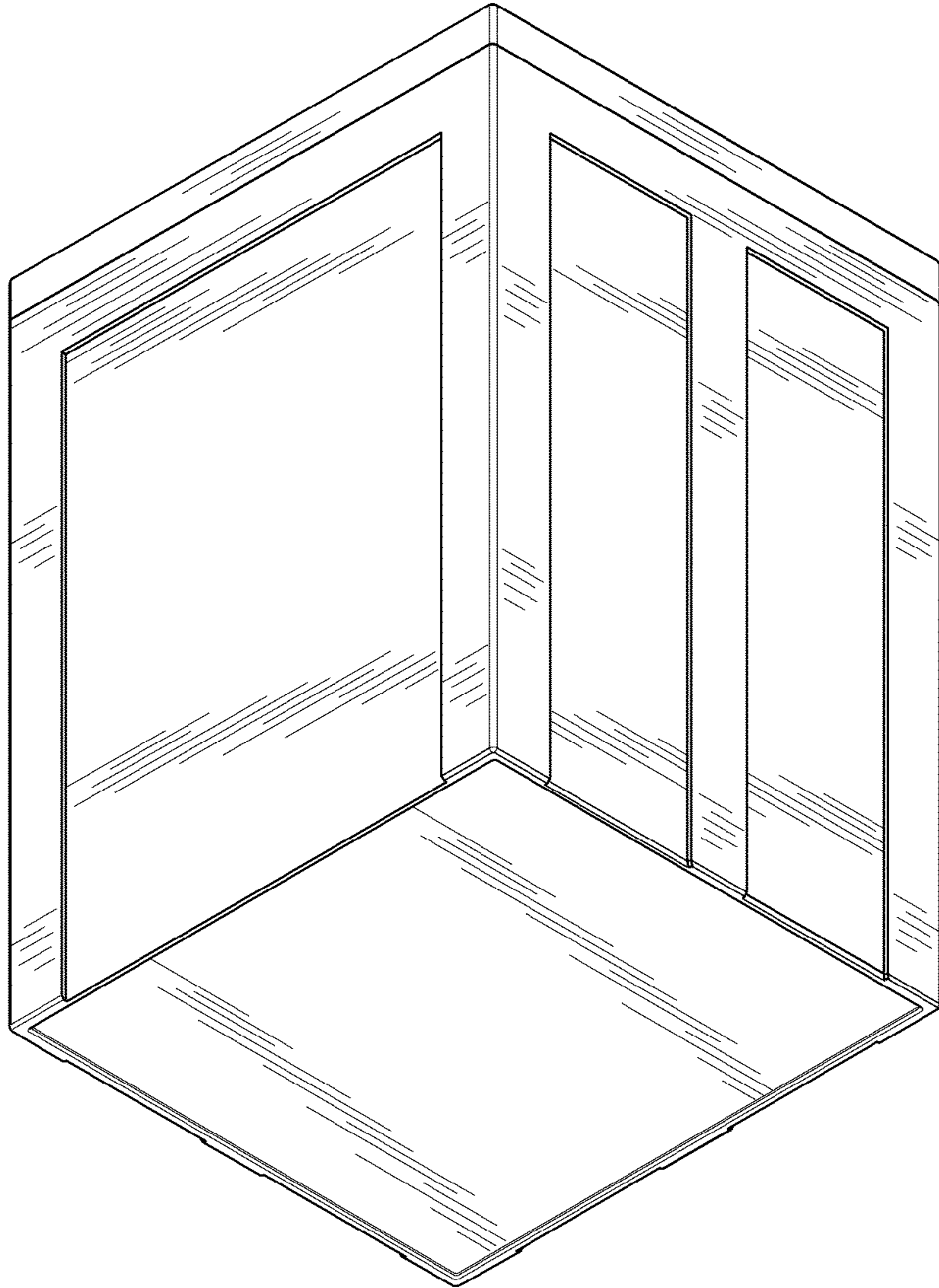


FIG. 2

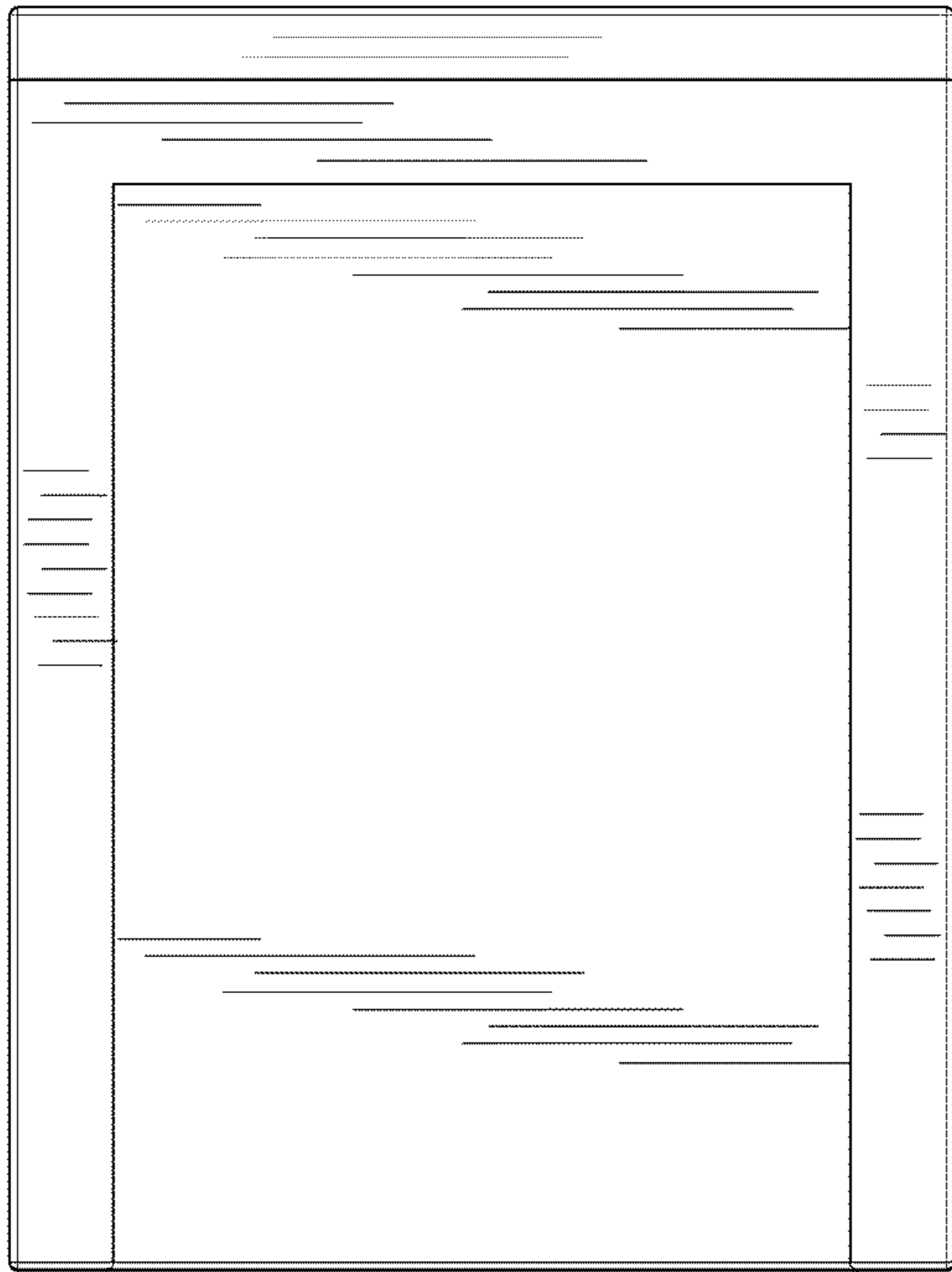


FIG. 3

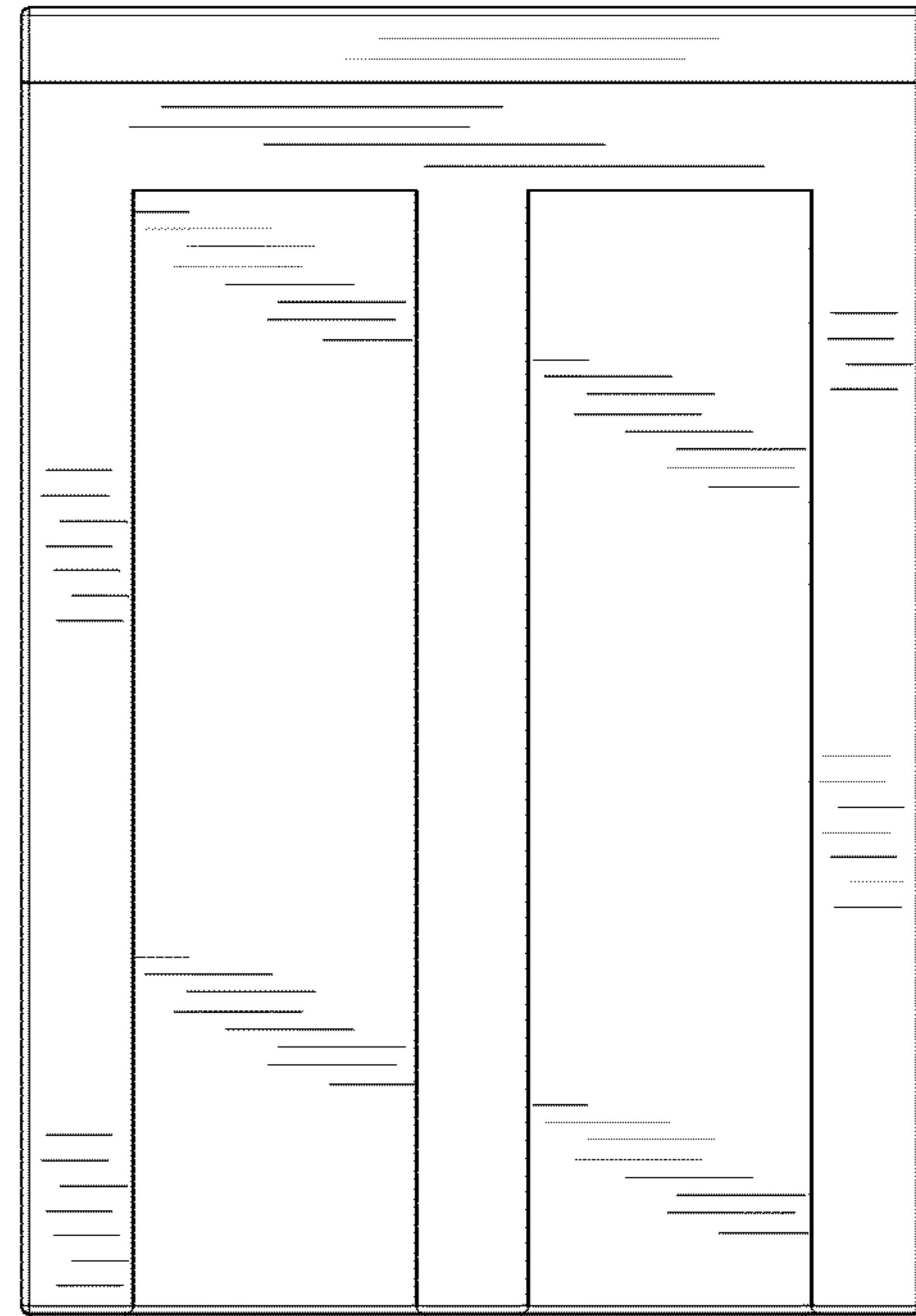


FIG. 4

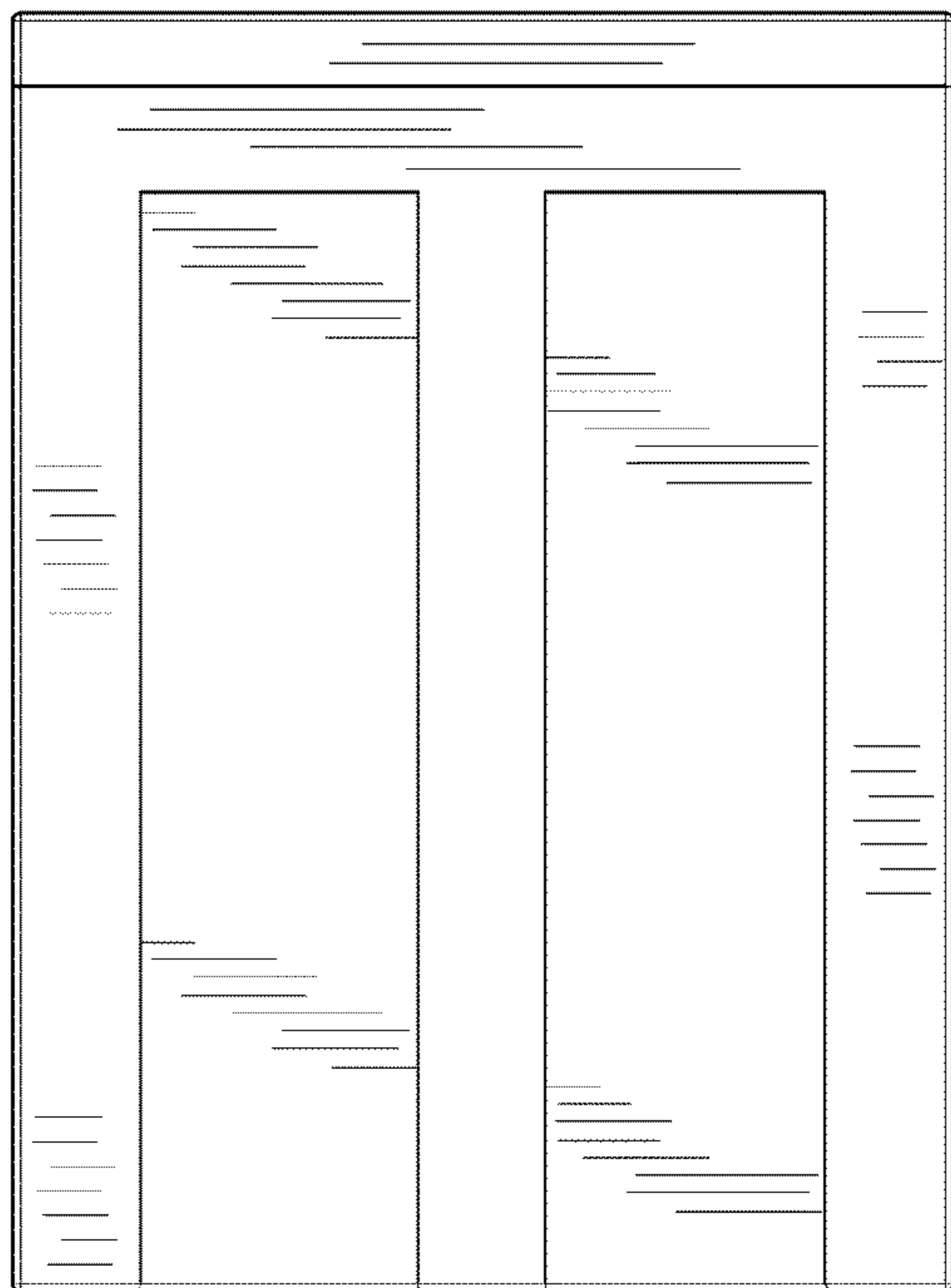


FIG. 5

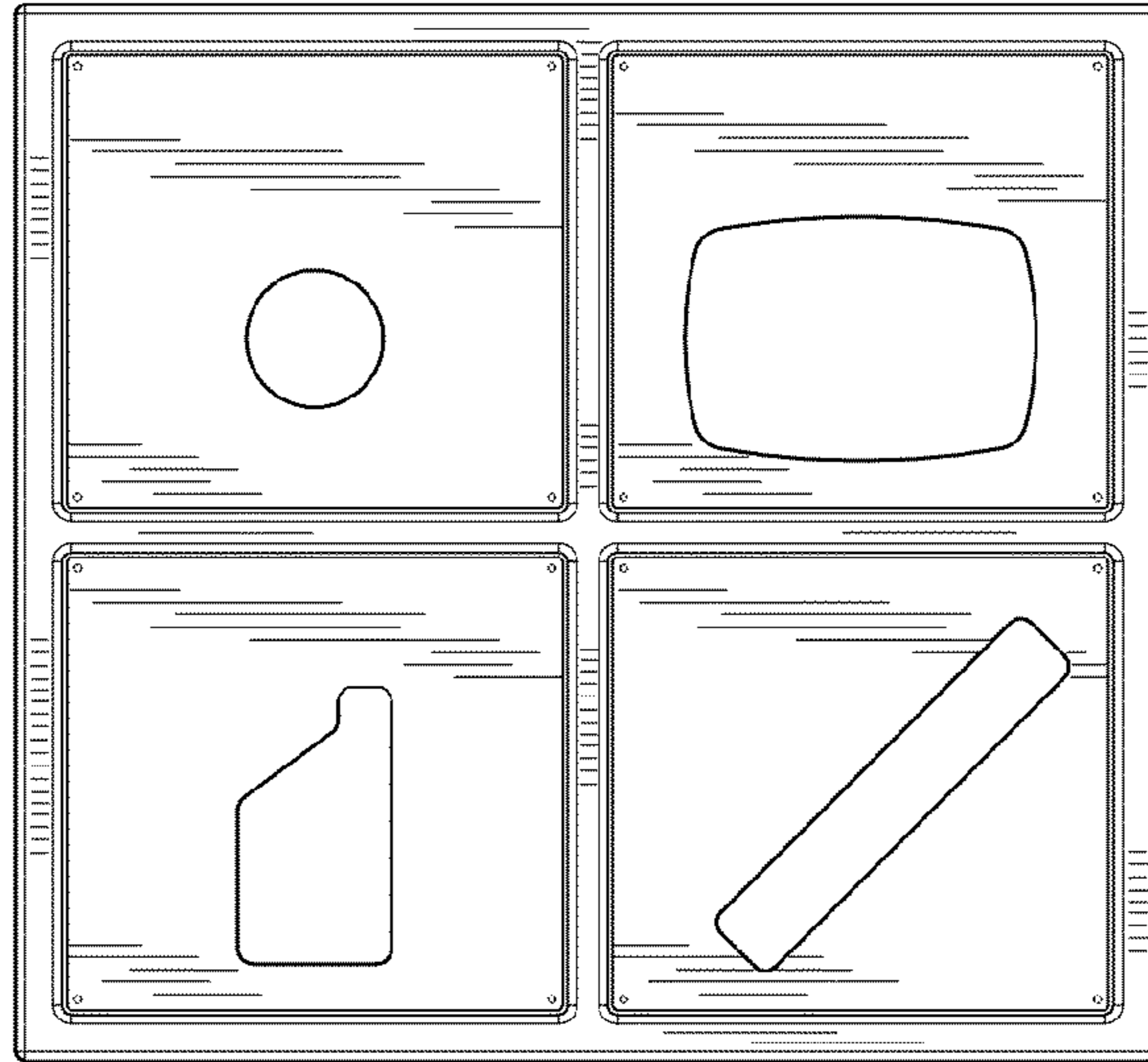


FIG. 6

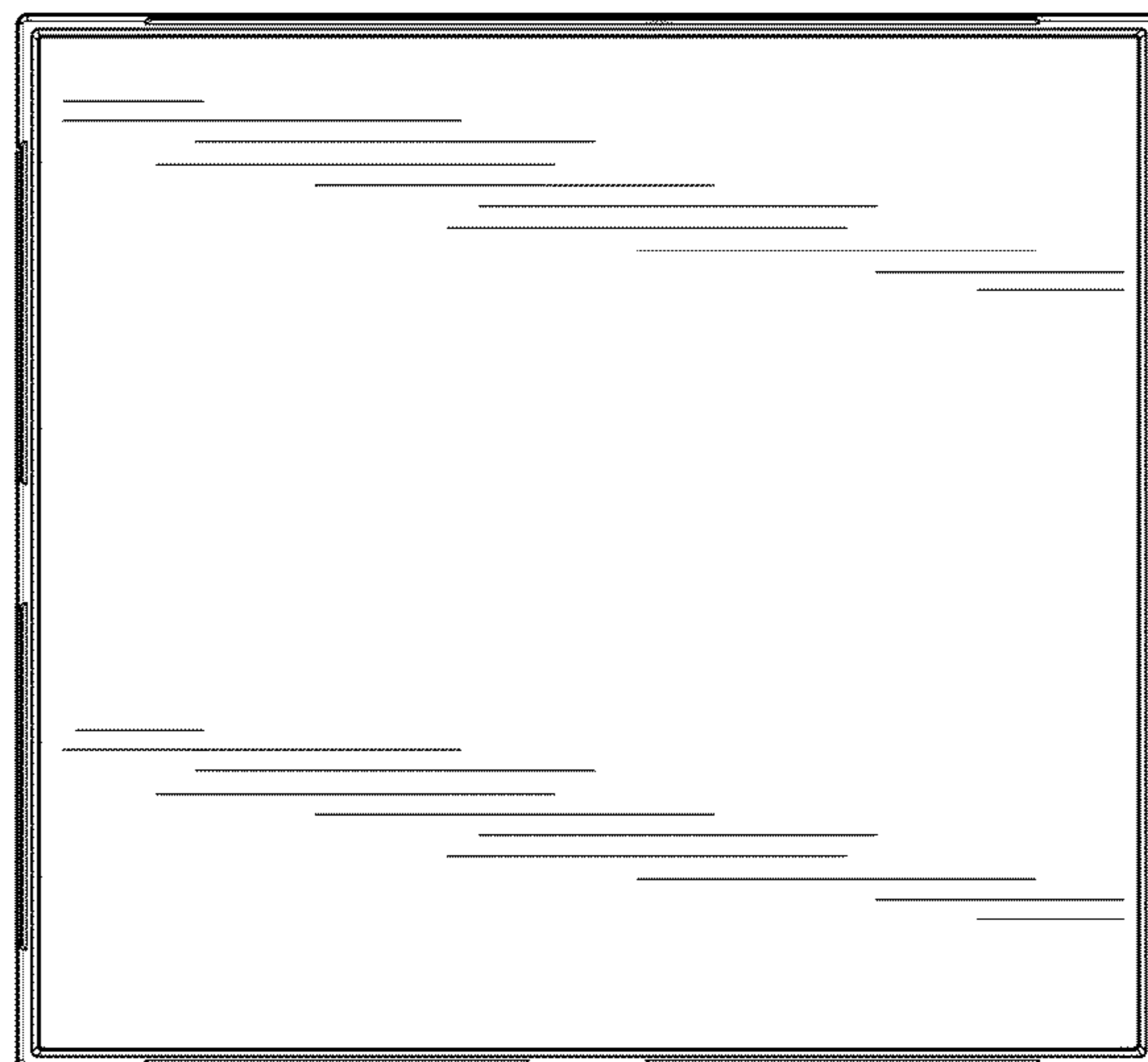


FIG. 7