



US00D757384S

(12) **United States Design Patent**
Duvigneau

(10) **Patent No.:** **US D757,384 S**

(45) **Date of Patent:** **** May 24, 2016**

(54) **DISH STAND**

(71) Applicant: **CURVER Luxembourg Sarl,**
Neidercom (LU)

(72) Inventor: **Nikolai Duvigneau, Zichron Yaacov (IL)**

(73) Assignee: **CURVER LUXEMBOURG SARL,**
Neidercom (LU)

(**) Term: **15 Years**

(21) Appl. No.: **29/543,059**

(22) Filed: **Oct. 20, 2015**

Related U.S. Application Data

(62) Division of application No. 29/453,383, filed on Apr. 29, 2013.

(30) **Foreign Application Priority Data**

Oct. 28, 2012 (IL) 53310

(51) **LOC (10) Cl.** **07-05**

(52) **U.S. Cl.**
USPC **D32/55**

(58) **Field of Classification Search**
USPC D32/55, 276, 3; D6/510, 525; D30/133;
211/41.5, 41.4, 41.3, 41.8; 361/679.4;
312/311, 333, 334.4; D7/354, 629
CPC . A47L 15/505; A47L 15/503; A47L 15/0013;
A47L 19/02; A47L 19/04; A47J 47/20
See application file for complete search history.

(56) **References Cited**

U.S. PATENT DOCUMENTS

D212,301 S * 9/1968 Taylor D32/55
D265,262 S * 6/1982 Taylor D32/55
D373,866 S * 9/1996 Belden, Jr. D32/55

D374,526 S * 10/1996 Breen D32/55
D490,198 S * 5/2004 Jerstroem D32/55
D492,457 S * 6/2004 Soroka D32/55
D581,186 S * 11/2008 Nielsen D6/629
D634,089 S * 3/2011 Wisniewski D32/55
D639,000 S * 5/2011 Weber D30/161
D693,081 S * 11/2013 Yang D32/55
D695,482 S * 12/2013 Huang D32/55
D720,109 S * 12/2014 Huang D32/55
D732,256 S * 6/2015 Huang D32/55
D732,782 S * 6/2015 Huang D32/56
2007/0090063 A1* 4/2007 Schmidt A47L 19/04
211/41.3
2009/0260578 A1* 10/2009 Yamamoto A01K 1/0114
119/166

* cited by examiner

Primary Examiner — Austin Murphy

(74) *Attorney, Agent, or Firm* — Vorys, Sater, Seymour & Pease LLP

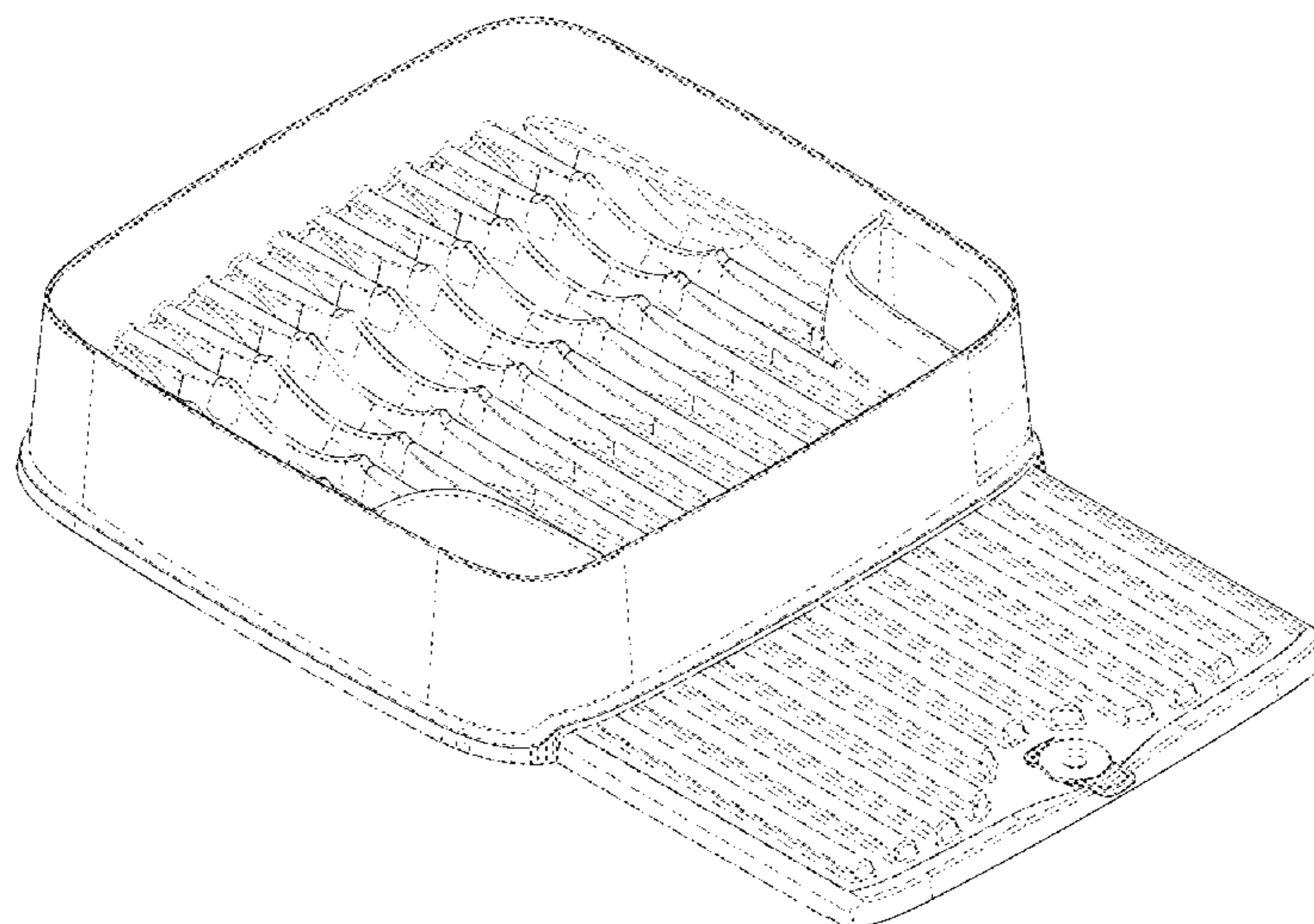
(57) **CLAIM**

The ornamental design for a dish stand, as shown and described.

DESCRIPTION

FIG. 1 is a top perspective view of a dish stand, in a closed configuration;
FIG. 2 is a top perspective view thereof, in an open configuration;
FIG. 3 is a front elevational view thereof, in a closed configuration;
FIG. 4 is a rear elevational view thereof, in a closed configuration;
FIG. 5 is a left side elevational view thereof, in an open configuration, the right side view being a mirror image;
FIG. 6 is a top planar view thereof; in an open configuration; and,
FIG. 7 is a bottom planar view thereof; in an open configuration.

1 Claim, 7 Drawing Sheets



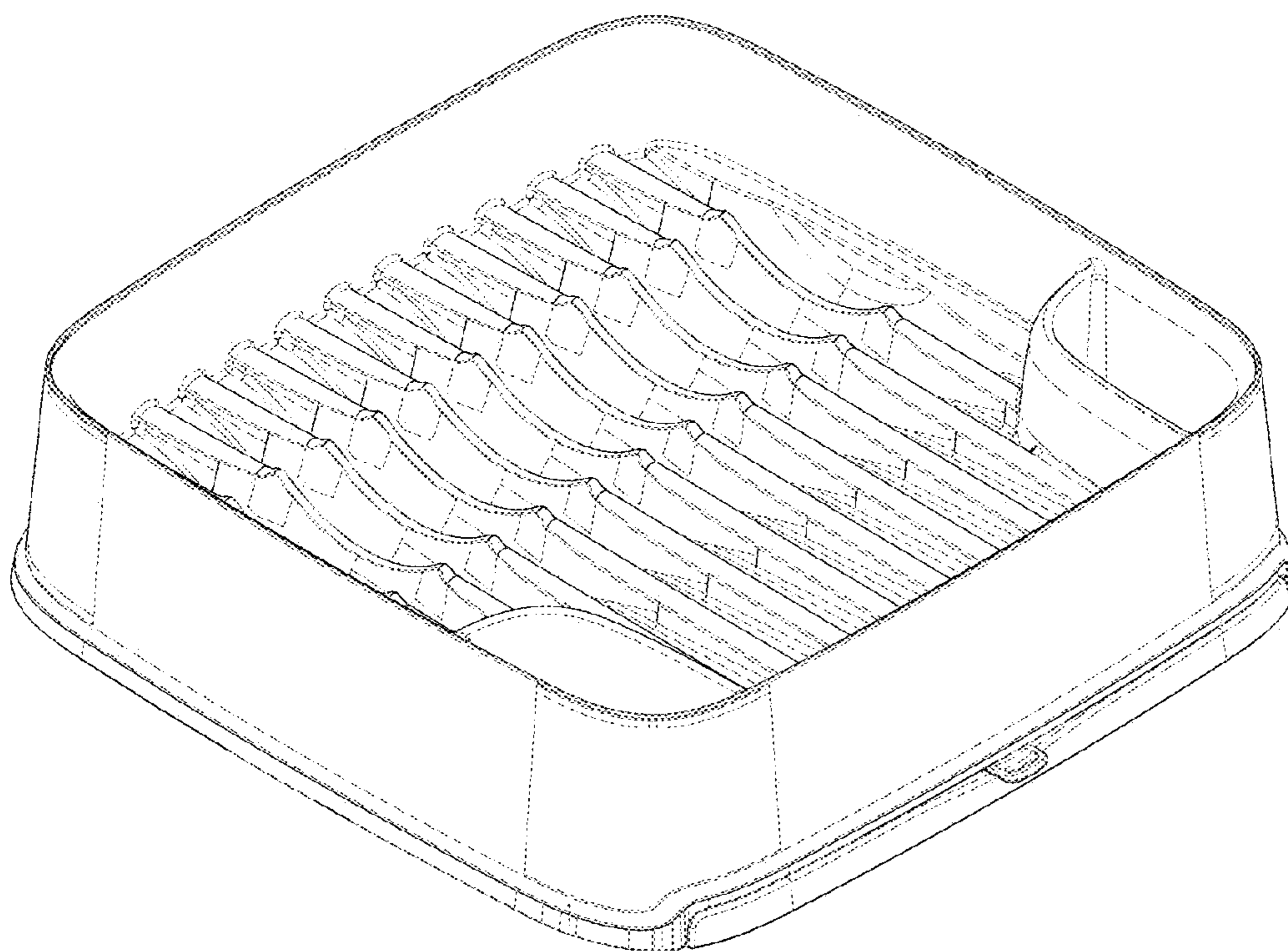


FIG. 1

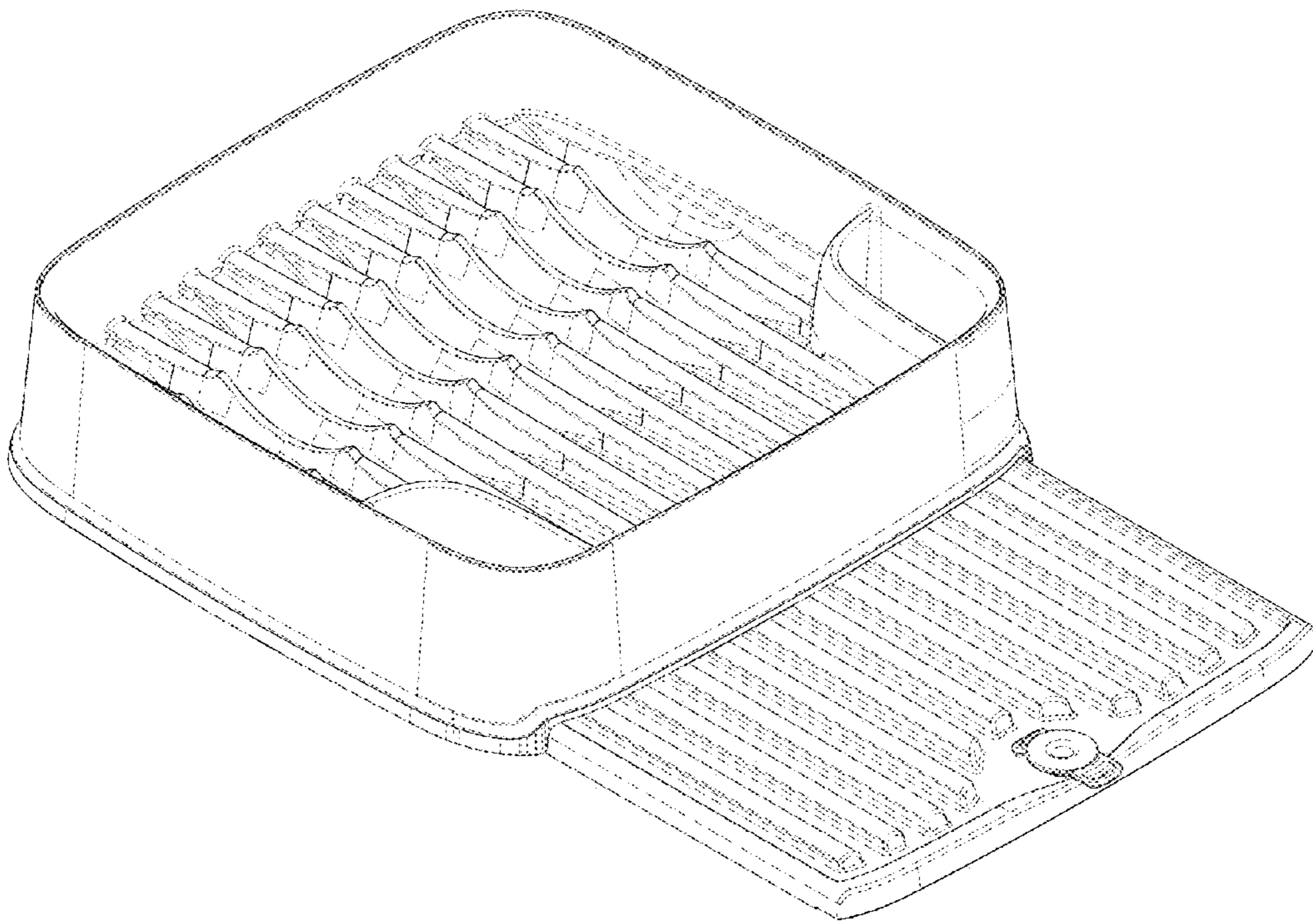


FIG. 2

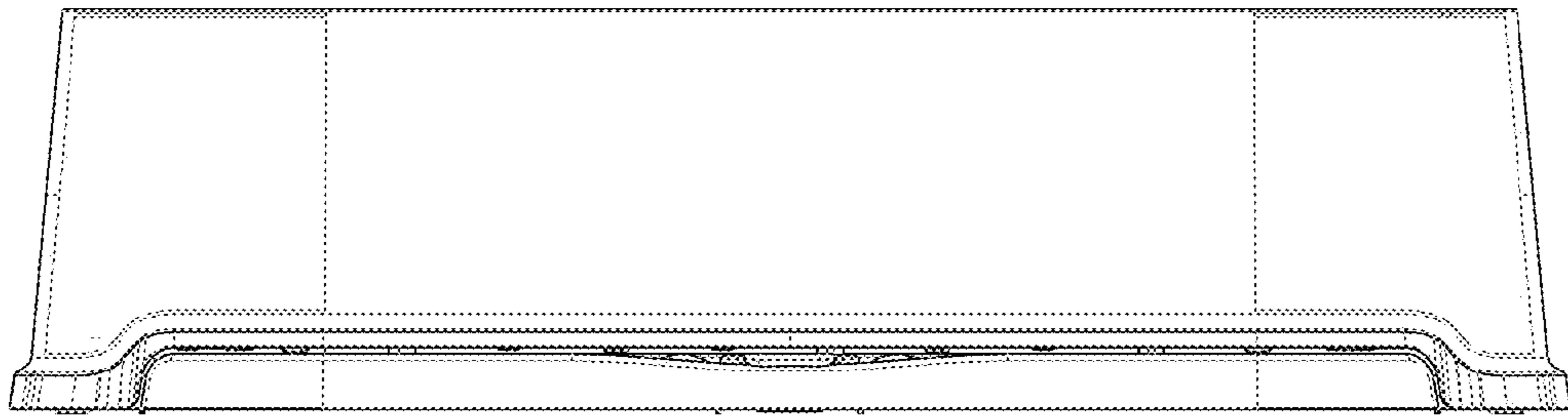


FIG. 3

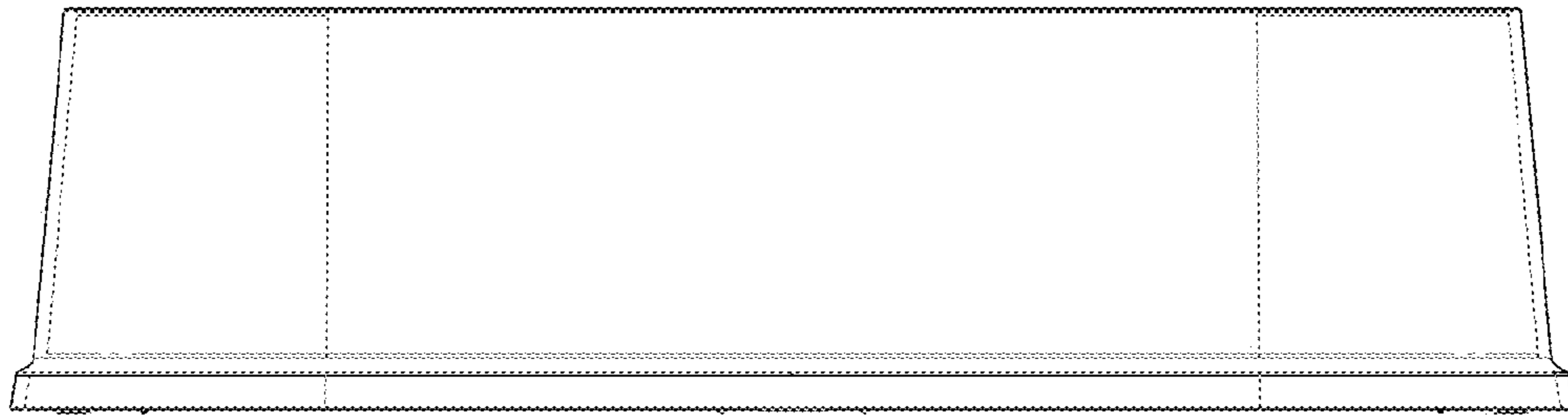


FIG. 4

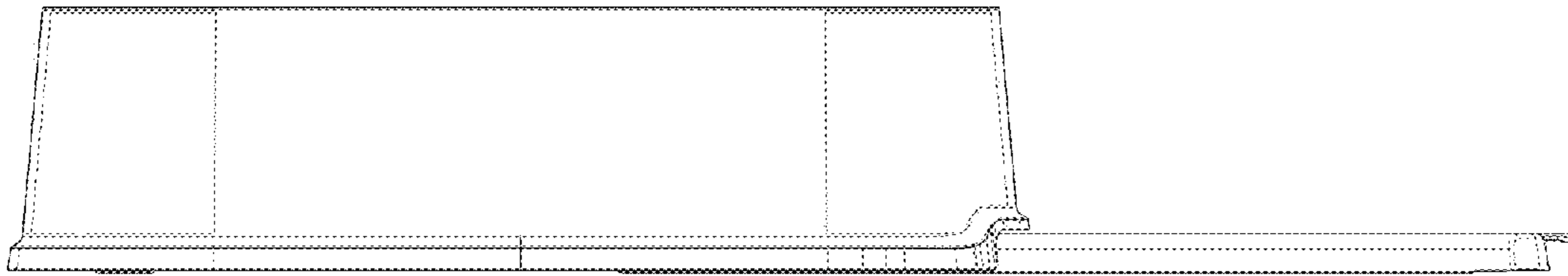


FIG. 5

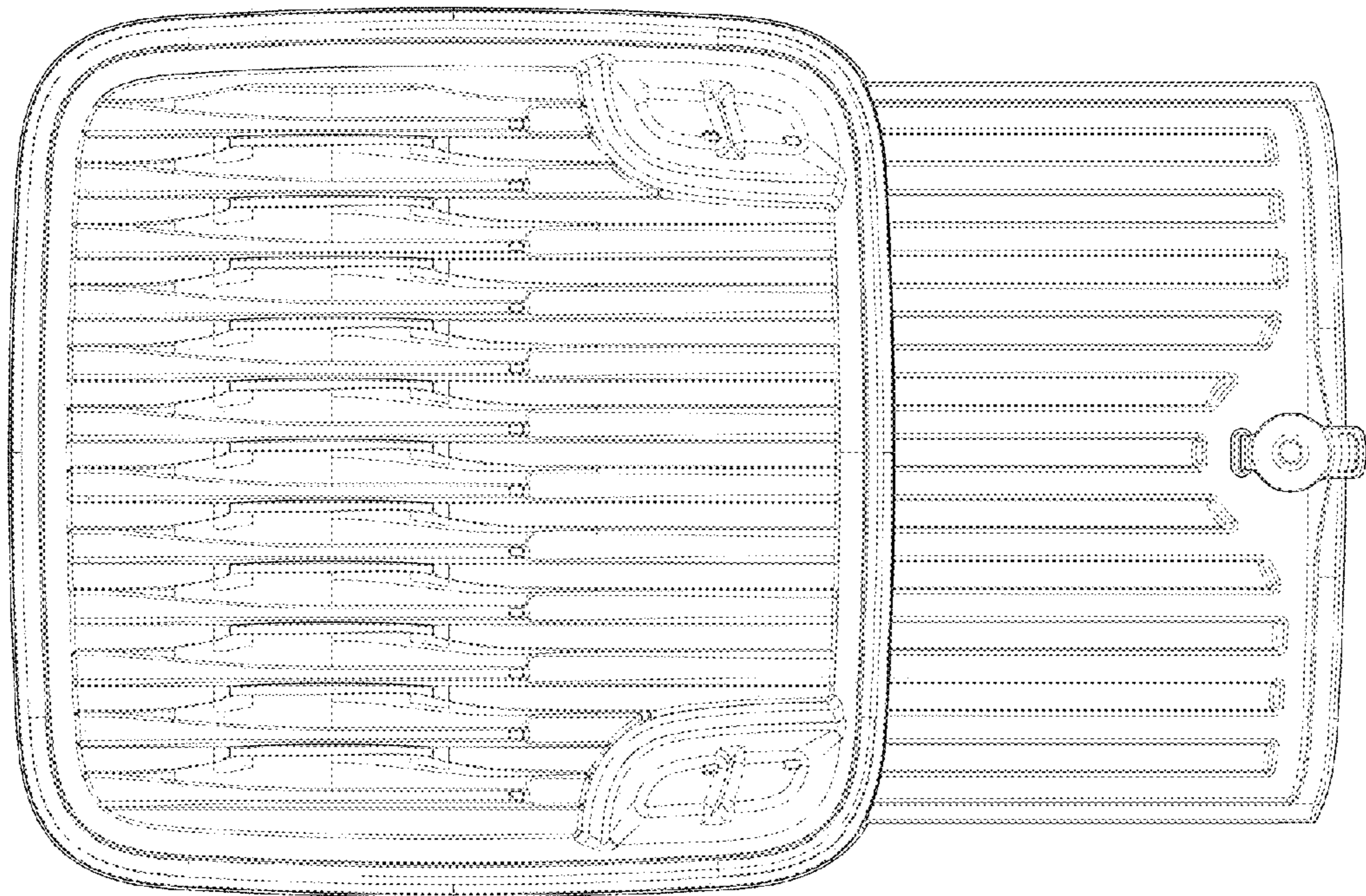


FIG. 6

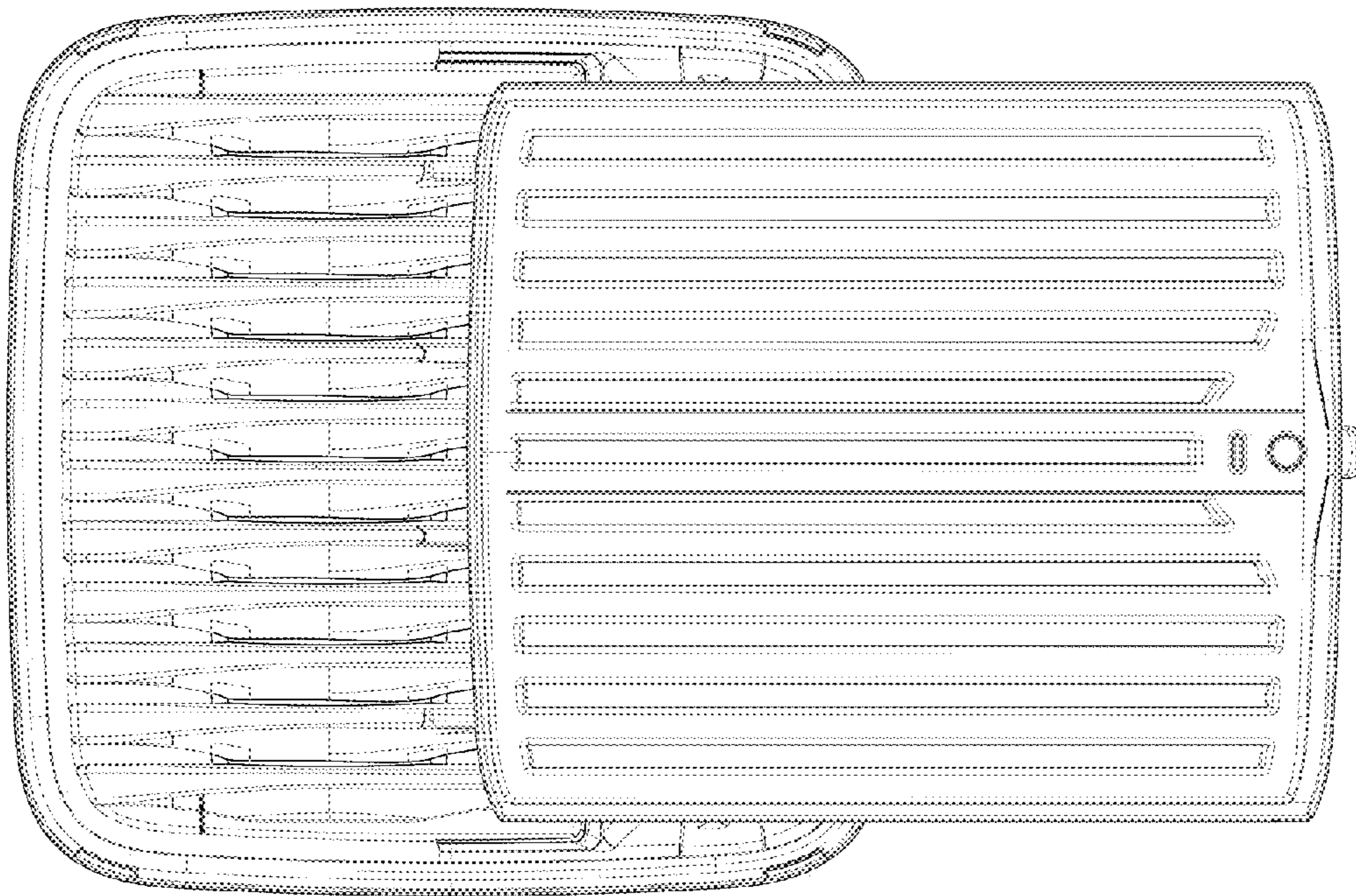


FIG. 7