

US00D757383S

(12) **United States Design Patent**  
**Abbott et al.**

(10) **Patent No.:** **US D757,383 S**  
(45) **Date of Patent:** **\*\* May 24, 2016**

- (54) **PAINT BRUSH HOOK**
- (71) Applicant: **House of Busted Design, LLC**, Castle Rock, CO (US)
- (72) Inventors: **Glenn L. Abbott**, Aurora, CO (US); **Steven L. Crowson**, Castle Rock, CO (US)
- (73) Assignee: **HOUSE OF BUSTED DESIGN, LLC**, Castlerock, CO (US)
- (\*\*) Term: **14 Years**
- (21) Appl. No.: **29/437,040**
- (22) Filed: **Nov. 12, 2012**
- (51) **LOC (10) Cl.** ..... **08-05**
- (52) **U.S. Cl.**  
USPC ..... **D32/54; D8/71**
- (58) **Field of Classification Search**  
USPC ..... D8/71, 349, 354, 367, 373; D32/53, D32/53.1, 54; D22/144; 248/31 X, 74, 111, 248/211, 213.2, 214, 215, 302, 307, 690, 248/692; 15/159.1, 174, 246; 220/495.1  
CPC ..... B44D 3/123; A46B 17/02  
See application file for complete search history.

|              |    |   |         |                |       |           |
|--------------|----|---|---------|----------------|-------|-----------|
| D383,272     | S  | * | 9/1997  | McDonald       | ..... | D32/54    |
| 5,913,500    | A  | * | 6/1999  | Estes          | ..... | 248/205.2 |
| 6,056,253    | A  | * | 5/2000  | Tripp          | ..... | 248/213.2 |
| 6,244,559    | B1 | * | 6/2001  | Stanton        | ..... | 248/692   |
| 6,419,194    | B1 | * | 7/2002  | LoSacco et al. | ..... | 248/113   |
| D461,289     | S  | * | 8/2002  | LoSacco et al. | ..... | D32/54    |
| 6,871,825    | B2 | * | 3/2005  | Song           | ..... | 248/113   |
| D552,817     | S  | * | 10/2007 | Harmon         | ..... | D32/54    |
| 7,658,352    | B2 | * | 2/2010  | Gronbach       | ..... | 248/111   |
| D611,713     | S  | * | 3/2010  | Marino         | ..... | D4/199    |
| D622,469     | S  | * | 8/2010  | Nacey          | ..... | D32/54    |
| D654,783     | S  | * | 2/2012  | Warren         | ..... | D8/367    |
| 2005/0145757 | A1 | * | 7/2005  | Brown et al.   | ..... | 248/110   |
| 2014/0061093 | A1 | * | 3/2014  | Hesse et al.   | ..... | 206/774   |

\* cited by examiner

*Primary Examiner* — Philip S Hyder  
*Assistant Examiner* — Darlington Ly  
(74) *Attorney, Agent, or Firm* — Oppedahl Patent Law Firm LLC; Aileen Law

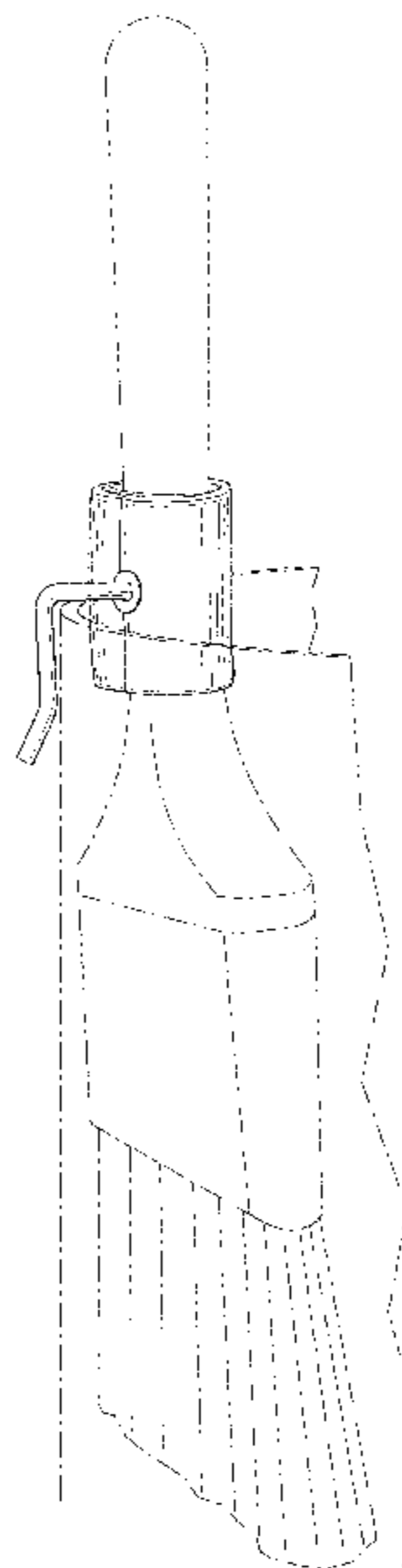
(57) **CLAIM**  
The ornamental design for a paint brush hook, as shown and described.

**DESCRIPTION**

FIG. 1 is a front elevational view of our new design for a paint brush hook;  
FIG. 2 is a back elevational view of FIG. 1;  
FIG. 3 is a right side elevational view of FIG. 1, a left side elevational view being a mirror image;  
FIG. 4 is a top plan view of FIG. 1;  
FIG. 5 is a bottom plan view of FIG. 1;  
FIG. 6 is a top, front and right perspective view of FIG. 1; and,  
FIG. 7 is a top, back and left perspective view of FIG. 1.  
The broken line showing a paint brush and portions of a paint bucket are for the purpose of illustrating environmental structure and forms no part of the claimed design.

**1 Claim, 1 Drawing Sheet**

- (56) **References Cited**  
U.S. PATENT DOCUMENTS  
2,807,431 A \* 9/1957 McHale ..... 248/113  
D199,428 S \* 10/1964 De Santo ..... D32/54  
3,536,285 A 10/1970 Vaughn  
4,887,327 A \* 12/1989 Meimeteas ..... 15/246  
5,044,038 A \* 9/1991 Matkovic ..... 15/159.1  
D358,691 S \* 5/1995 Engle ..... D32/54  
5,435,037 A \* 7/1995 Ledingham ..... 15/168  
D366,741 S \* 1/1996 Roehrig ..... D32/54  
D374,751 S \* 10/1996 Vong ..... D32/54



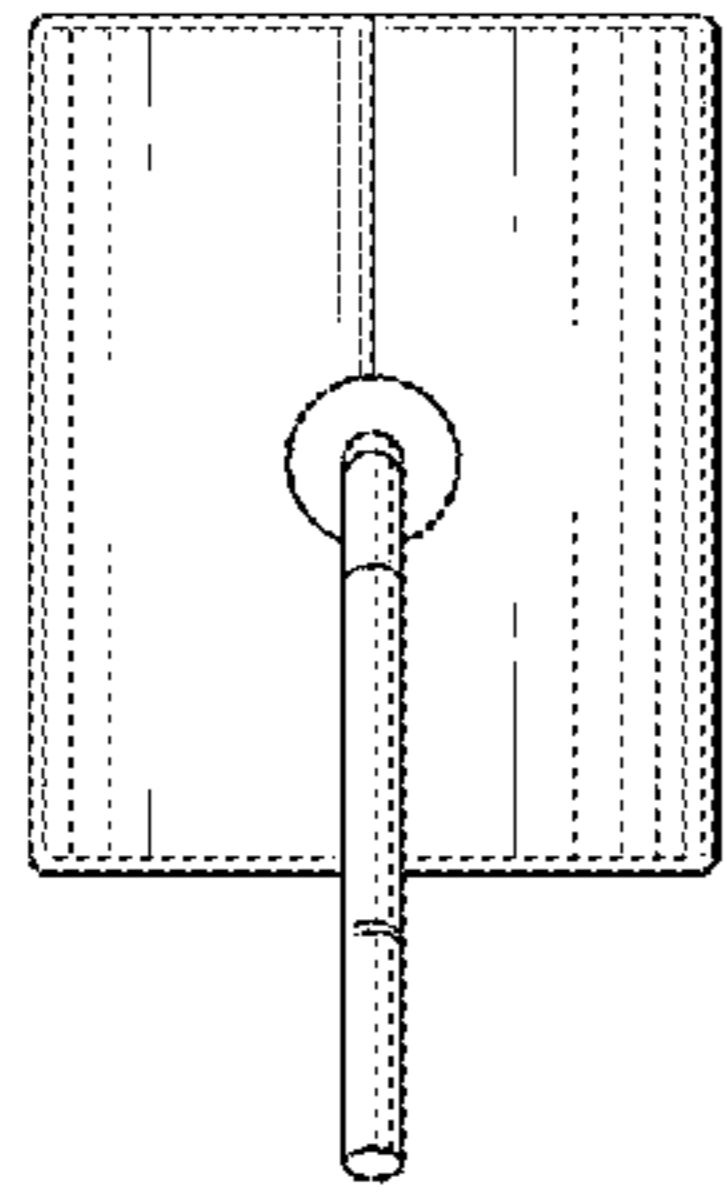


FIG. 1

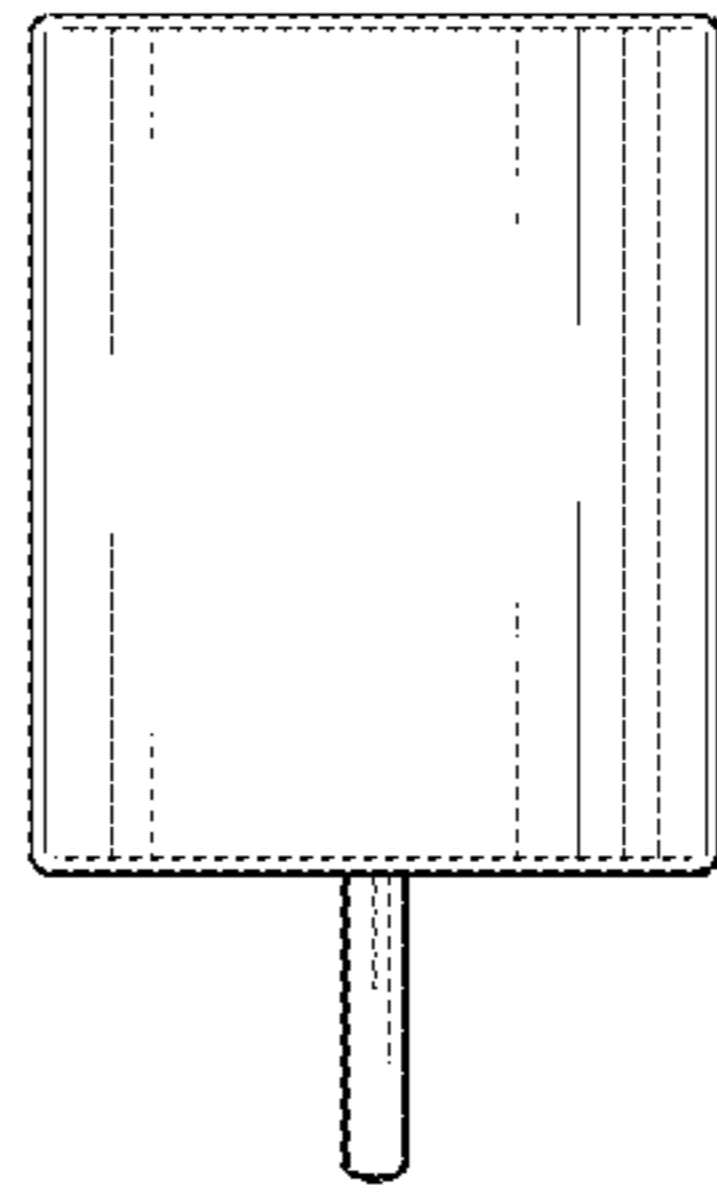


FIG. 2

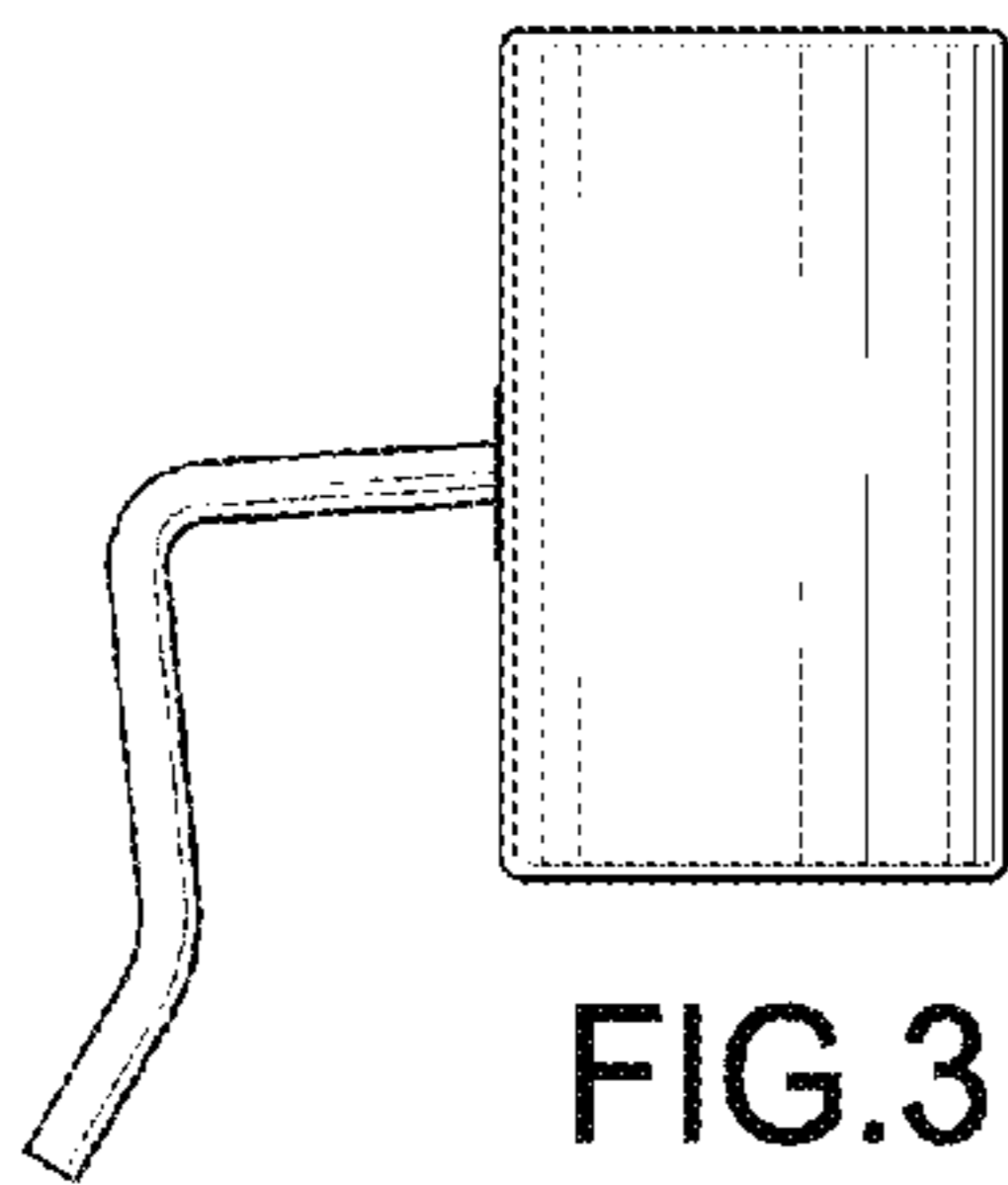


FIG. 3

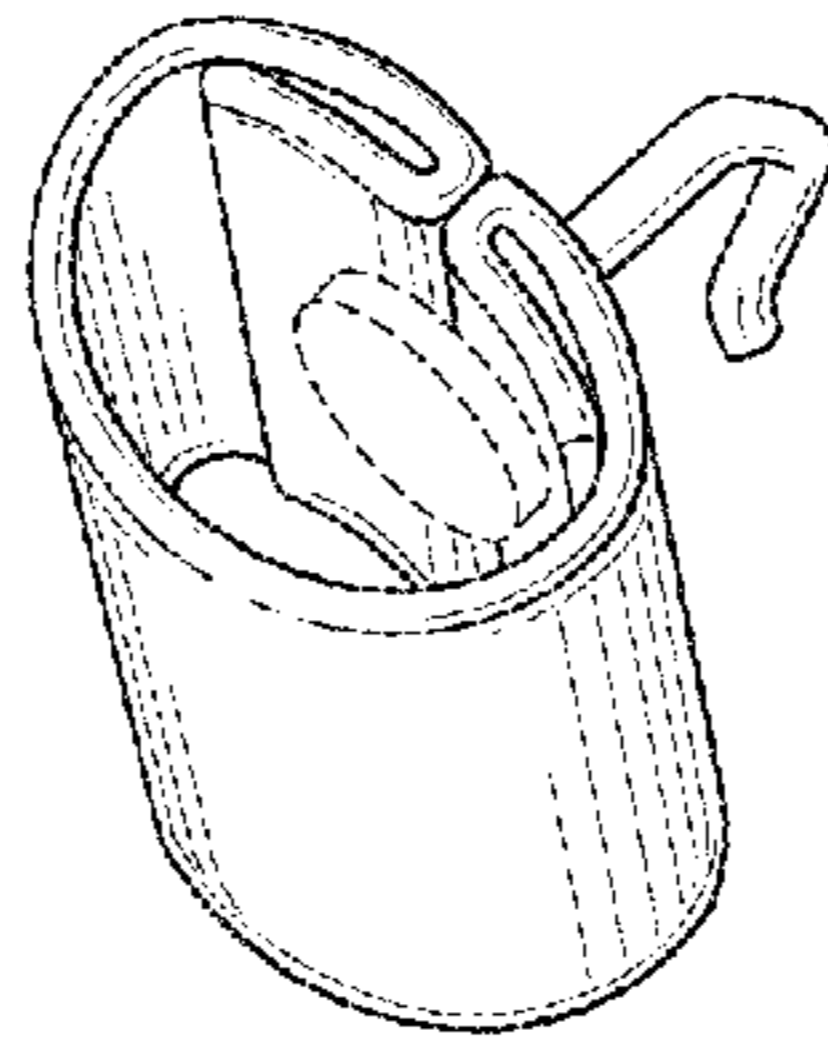


FIG. 7

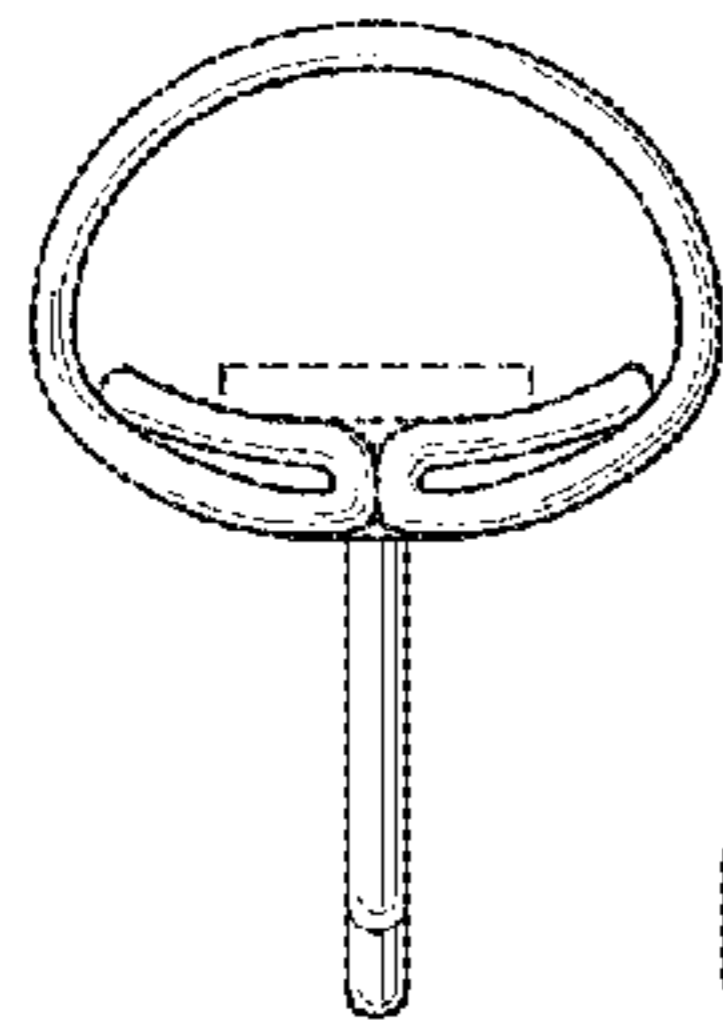


FIG. 4

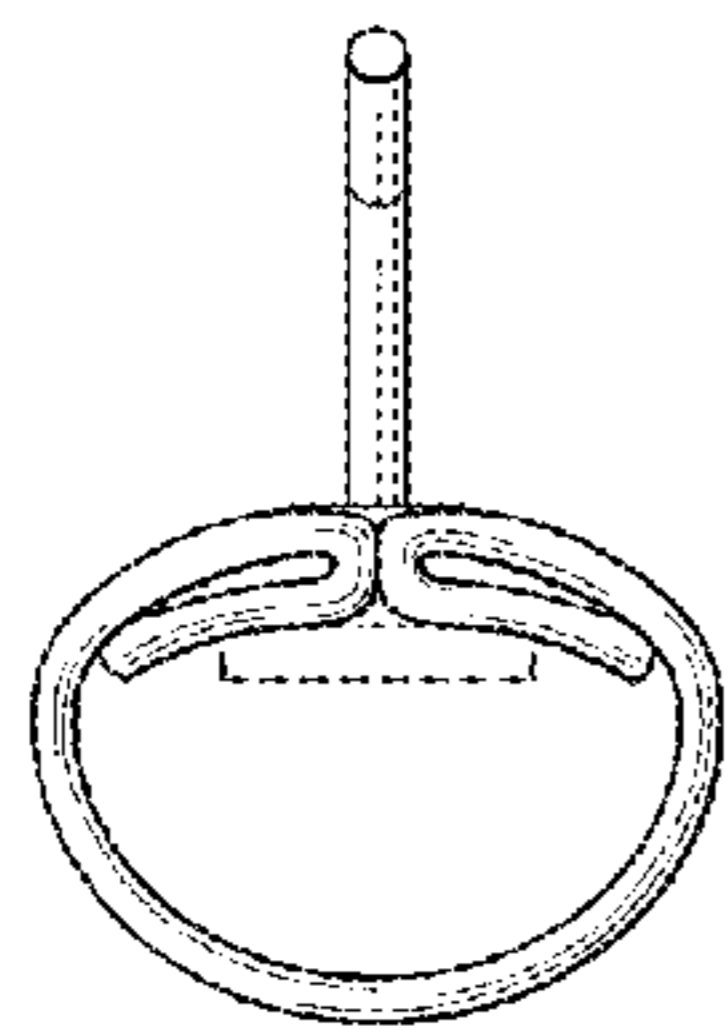


FIG. 5

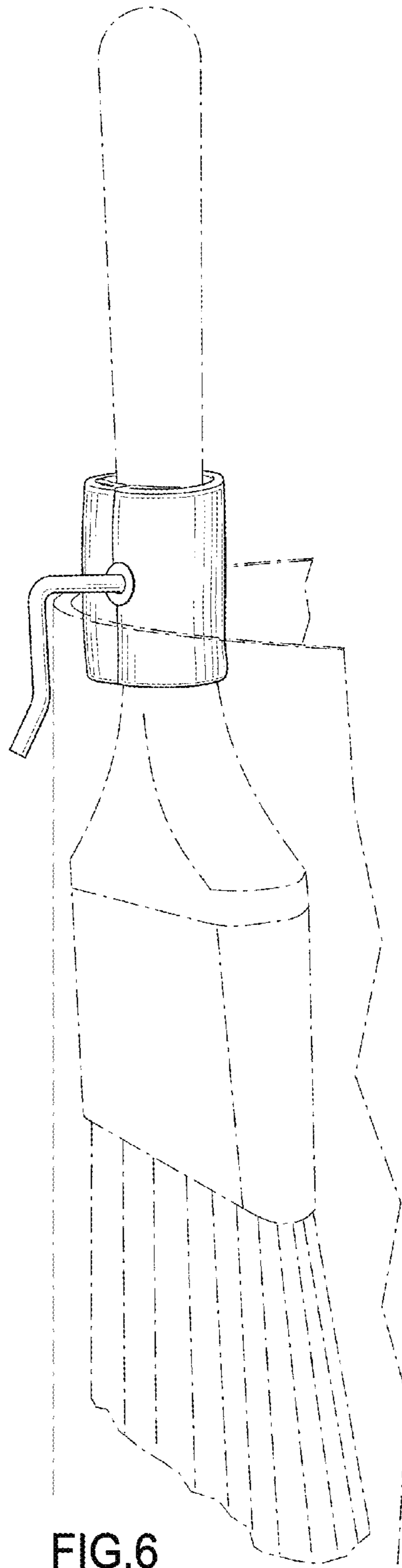


FIG. 6