



US00D757382S

(12) **United States Design Patent**
Desjardins

(10) **Patent No.:** **US D757,382 S**
(45) **Date of Patent:** **** May 24, 2016**

- (54) **WINDSHIELD SCRAPER**
- (71) Applicant: **Eric Desjardins**, St-Adele (CA)
- (72) Inventor: **Eric Desjardins**, St-Adele (CA)
- (**) Term: **14 Years**
- (21) Appl. No.: **29/459,477**
- (22) Filed: **Jun. 29, 2013**
- (51) **LOC (10) Cl.** **08-05**
- (52) **U.S. Cl.**
USPC **D32/46**
- (58) **Field of Classification Search**
USPC D14/118; D32/251, 48, 51, 31, 32, 50,
D32/49, 22, 21, 52, 34; 401/142, 139;
15/143.1, 246.2; D8/107
See application file for complete search history.

D614,373	S	*	4/2010	Zach et al.	D32/52
D615,261	S	*	5/2010	Bunnag	D32/49
D615,262	S	*	5/2010	Bunnag et al.	D32/49
D618,981	S	*	7/2010	Gringer	D8/107
2005/0188486	A1	*	9/2005	Tubman	15/143.1
2006/0222441	A1	*	10/2006	Tanaka et al.	401/139
2007/0044265	A1	*	3/2007	Crevling et al.	15/246.2

FOREIGN PATENT DOCUMENTS

CA	108769	*	4/2006
CA	142530	*	5/2012
RU	00070633	*	6/2009

OTHER PUBLICATIONS

Car Cleaning Snow Brush/ Ice Scrapper, Announced Jun. 16, 2012,
[Site Visited Mar. 27, 2015] http://www.weiku.com/products/10368799/car_cleaning_snow_brush_ice_scraper.html.*

(Continued)

Primary Examiner — John Windmuller
Assistant Examiner — Luqman McNeil

(56) **References Cited**

U.S. PATENT DOCUMENTS

D373,251	S	*	9/1996	Young	D4/118
D383,907	S	*	9/1997	Fey et al.	D4/118
D411,673	S	*	6/1999	Biggs et al.	D32/51
5,988,912	A	*	11/1999	Chen	401/42
D470,985	S	*	2/2003	Zemel	D32/48
D496,512	S	*	9/2004	Treacy	D32/51
D547,551	S	*	7/2007	Sickler et al.	D4/118
D558,943	S	*	1/2008	Labarbera	D32/31
D564,230	S	*	3/2008	Schouten	D4/118
D566,358	S	*	4/2008	Santiago	D32/32
D582,619	S	*	12/2008	Kong	D32/50
D584,871	S	*	1/2009	Arvinte et al.	D32/49
D590,554	S	*	4/2009	Griffin	D32/32
D591,466	S	*	4/2009	Crawley	D32/22
D593,265	S	*	5/2009	Carr et al.	D32/21
D600,421	S	*	9/2009	Hoadley et al.	D32/52
D600,870	S	*	9/2009	Baek	D32/34
D609,421	S	*	2/2010	Oswick	D32/50
D609,871	S	*	2/2010	Zach et al.	D32/52
D613,014	S	*	3/2010	Hoadley et al.	D32/52

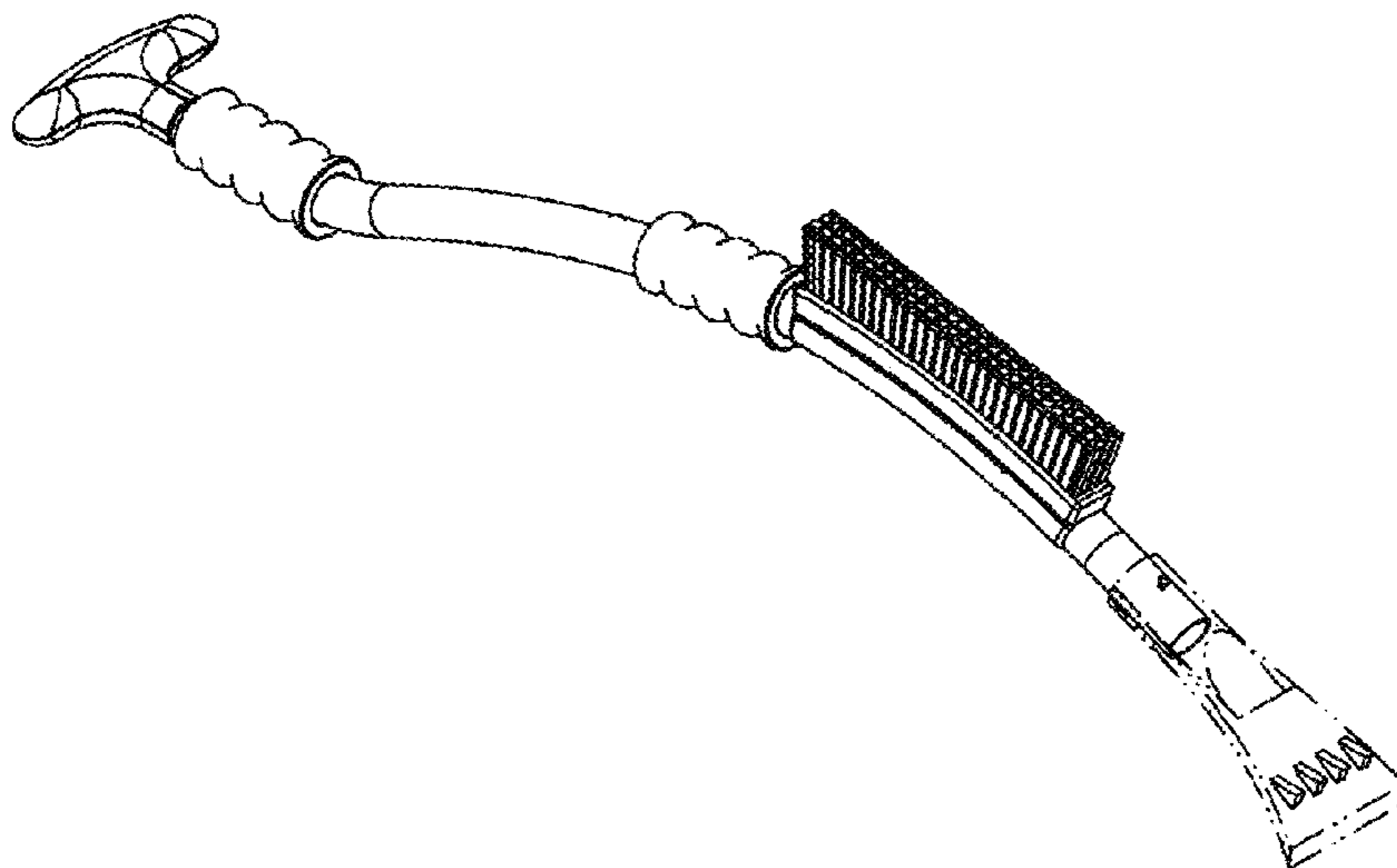
(57) **CLAIM**

The ornamental design for a windshield scraper, as shown and described.

DESCRIPTION

FIG. 1 is an isometric view of a windshield scraper.
FIG. 2 is an isometric view of a windshield scraper.
FIG. 3 is a rear elevational view thereof;
FIG. 4 is a front elevational view thereof;
FIG. 5 is a bottom plan view thereof.
FIG. 6 is a top plan view thereof; and,
FIG. 7 is a side elevational view thereof.
The broken lines are included for the purpose of illustrating portions of the windshield scraper that form no part of the claimed design.

1 Claim, 7 Drawing Sheets



(56)

References Cited

OTHER PUBLICATIONS

Hopkins Duo Grip Ice Scraper With Snow Brush—Two Handle Design, Announced Dec. 5, 2011, [Site Visited Mar. 27, 2015]<http://www.etrailer.com/Winter-Weather-Supplies/Hopkins/HM19621.html>.*

Wholesale Snow Brush and Ice Scraper 24 Ct, Announced May 8, 2011, [Site Visited Mar. 27, 2015]<http://www.vkwholesale.com/snow-brush-and-scraper-24-ct.html>.*

* cited by examiner

FIG. 1

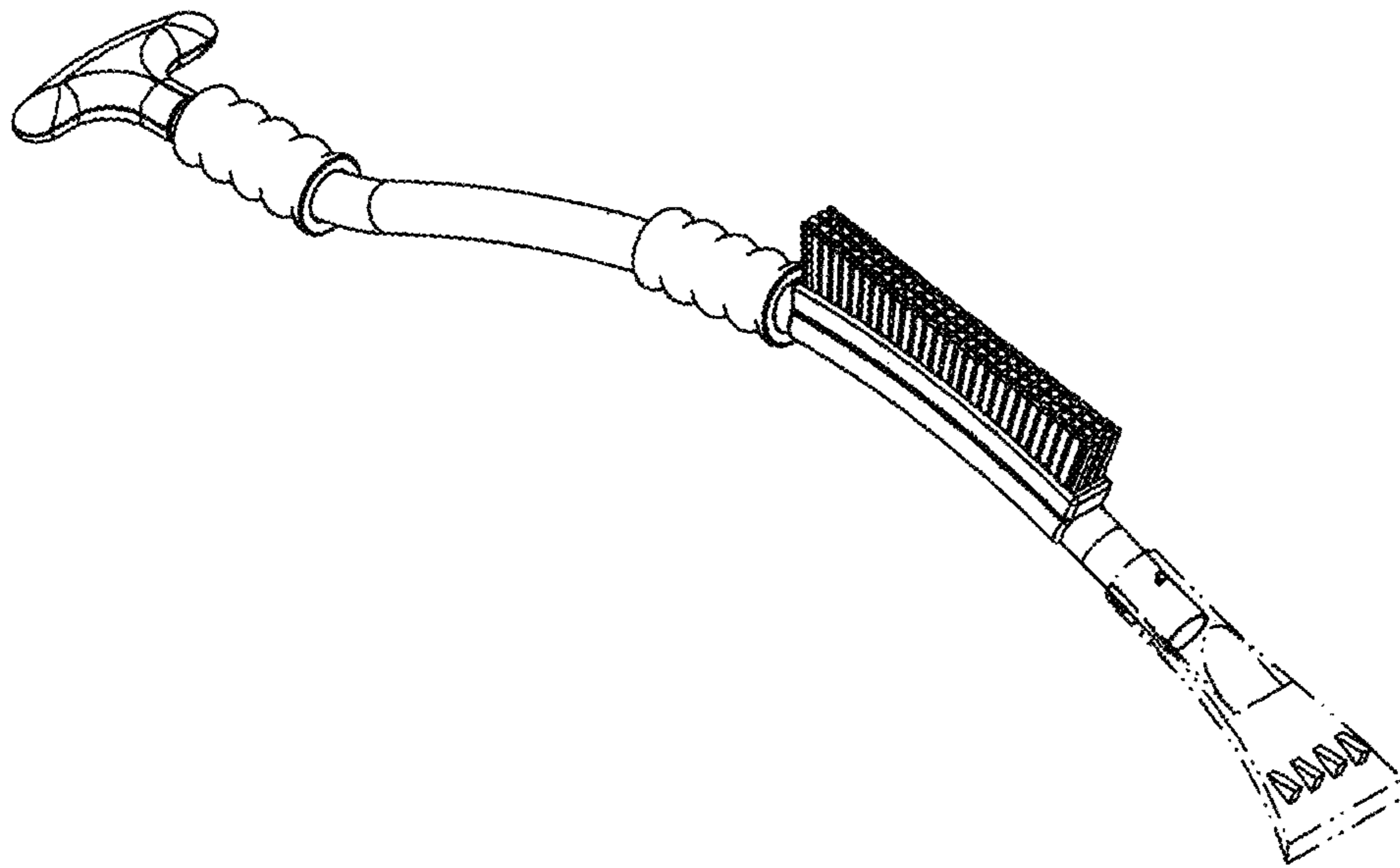


FIG. 2

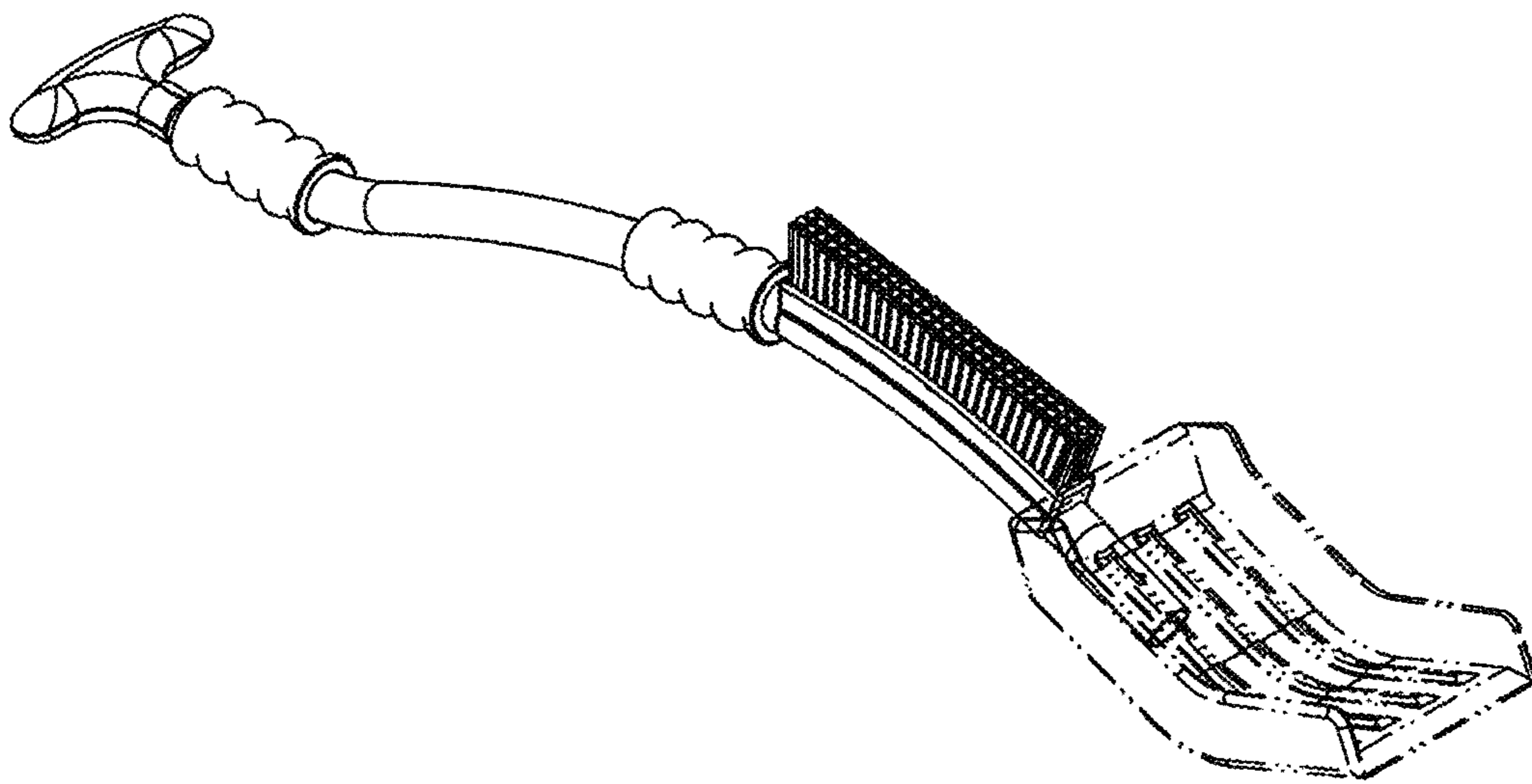


FIG. 3

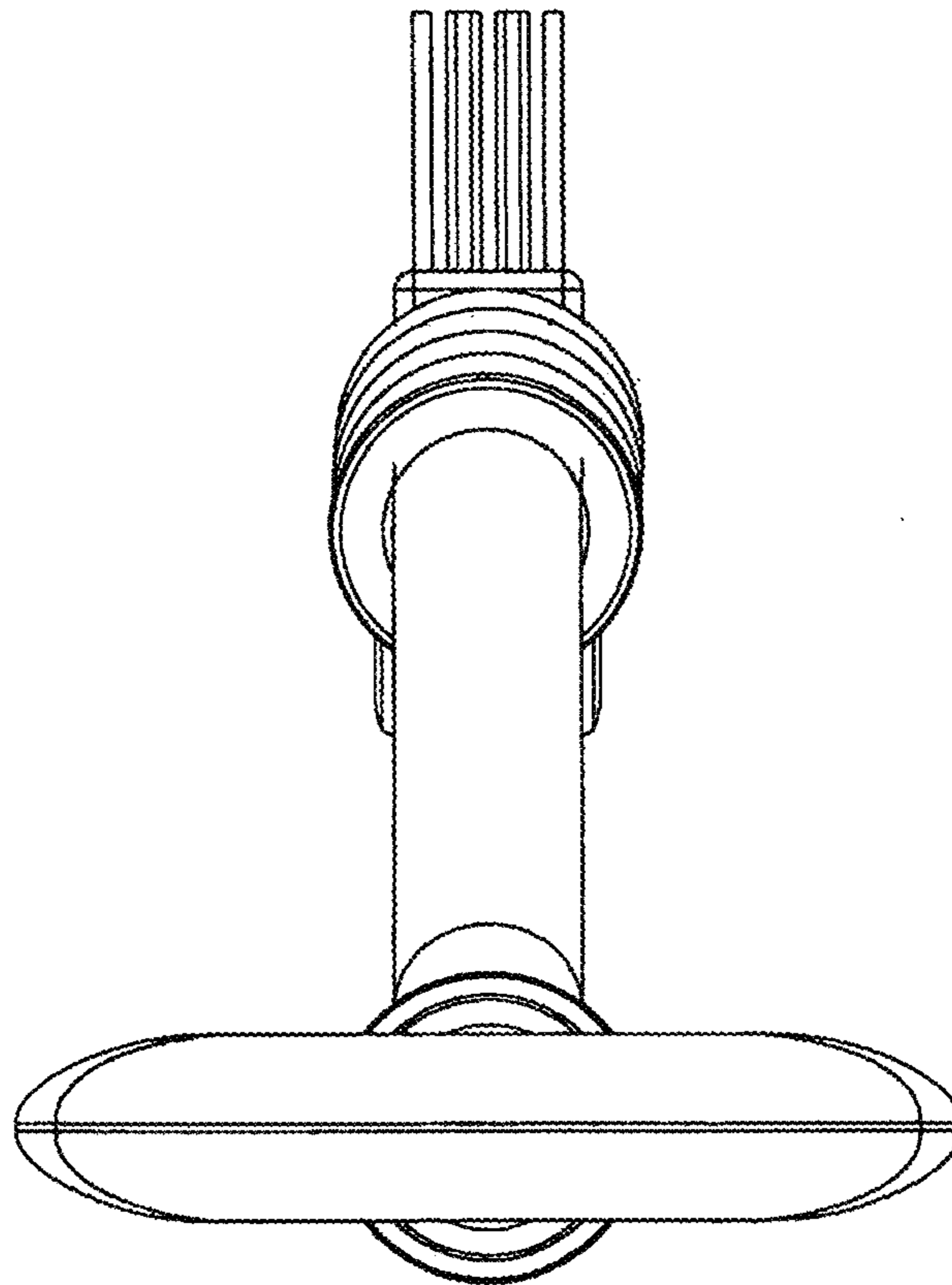
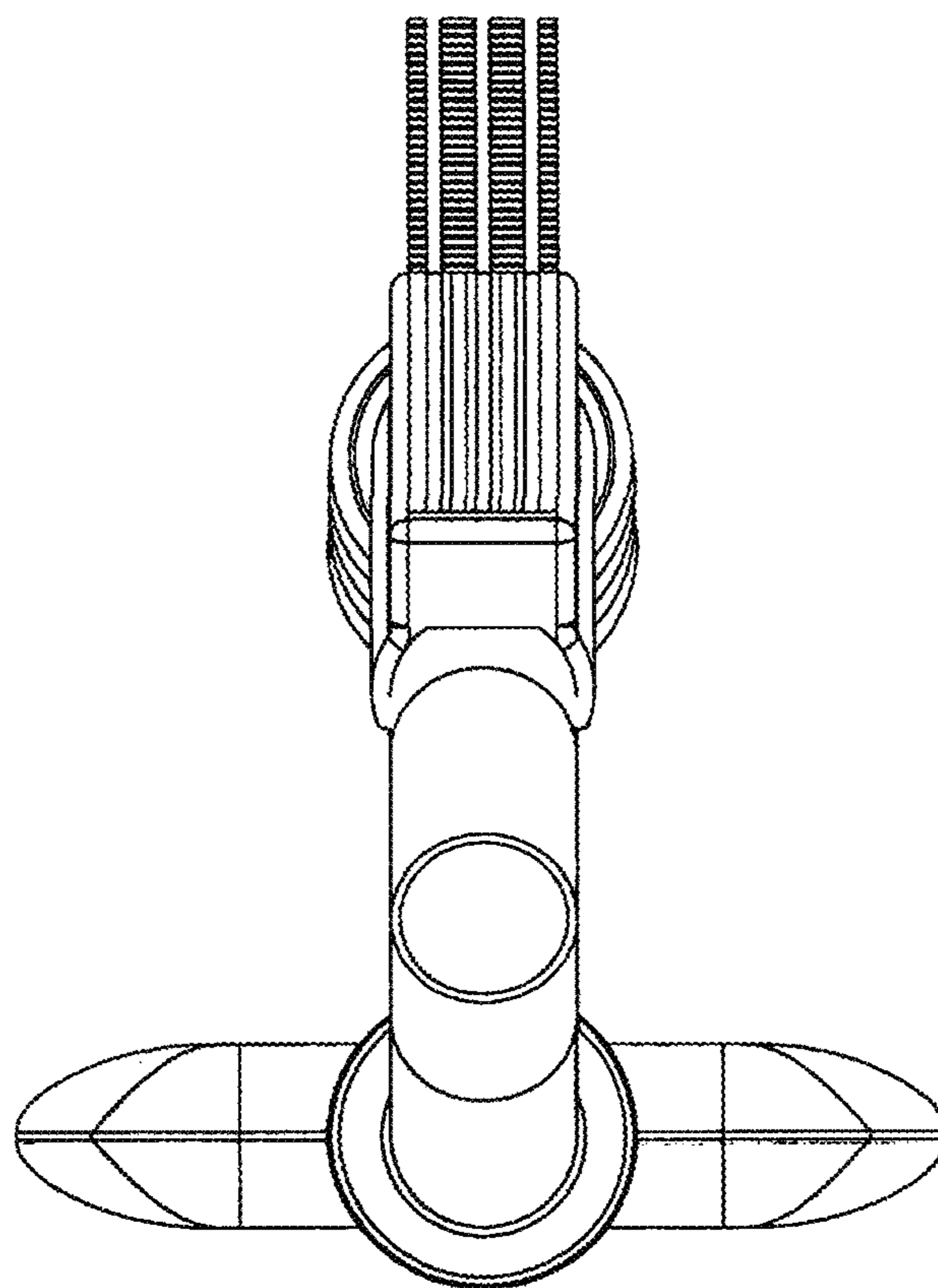


FIG. 4



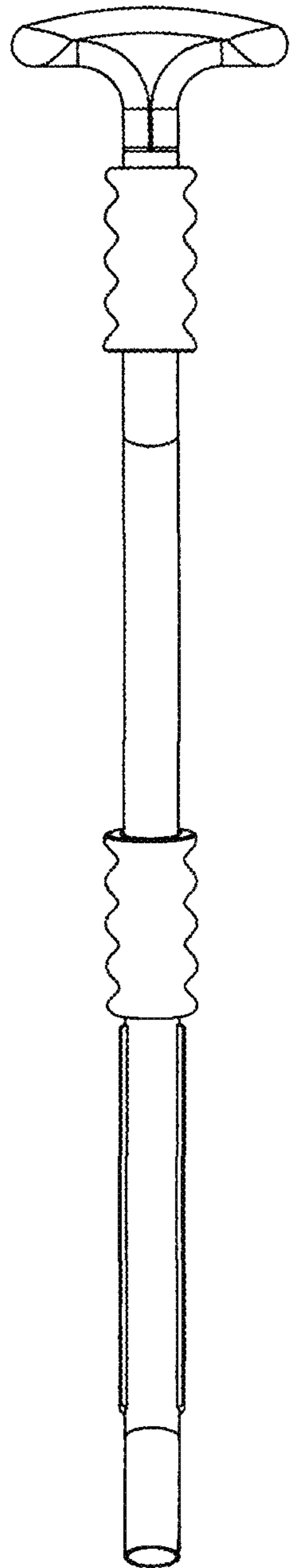


FIG. 5

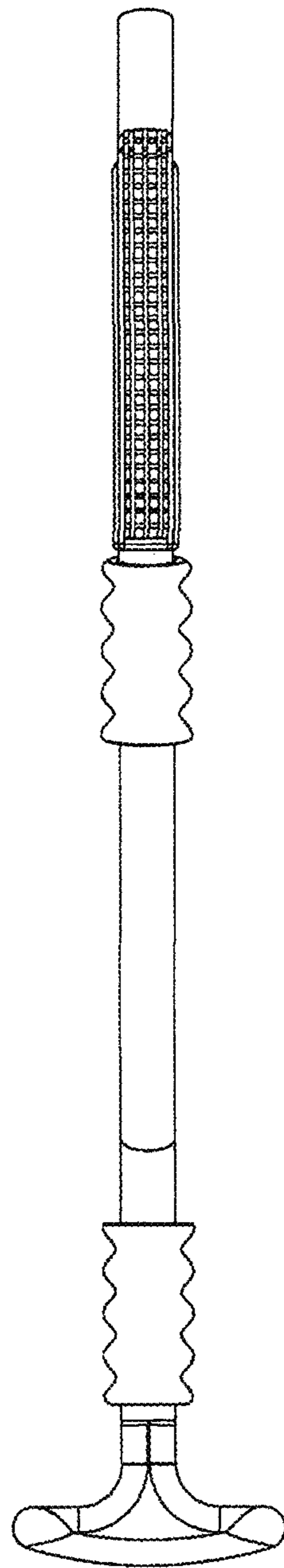


FIG. 6

FIG. 7

