



US00D757380S

(12) **United States Design Patent**
Cole et al.

(10) **Patent No.:** **US D757,380 S**

(45) **Date of Patent:** **** *May 24, 2016**

(54) **TOOL FOR A VACUUM CLEANER**

(71) Applicant: **Dyson Technology Limited**, Wiltshire (GB)

(72) Inventors: **Samuel Steven Cole**, Swindon (GB); **Sean Ventress**, Bristol (GB); **Adam James Bates**, Oxford (GB); **Andrea Ee-Va Lim**, Bristol (GB); **Peter David Gammack**, Swindon (GB); **James Dyson**, Bristol (GB)

(73) Assignee: **Dyson Technology Limited**, Malmesbury, Wiltshire (GB)

(*) Notice: This patent is subject to a terminal disclaimer.

(**) Term: **14 Years**

(21) Appl. No.: **29/498,918**

(22) Filed: **Aug. 8, 2014**

(30) **Foreign Application Priority Data**

Feb. 10, 2014 (EM) 002402016-0004

(51) **LOC (10) Cl.** **15-05**

(52) **U.S. Cl.**
USPC **D32/32**

(58) **Field of Classification Search**
USPC D32/31-33, 40, 50, 25
CPC A47L 11/4044; A47L 9/02; A47L 13/12;
A47L 13/20; A47L 1/08; A47K 7/02
See application file for complete search history.

(56) **References Cited**

U.S. PATENT DOCUMENTS

D147,125 S * 7/1947 Harvuot D32/32
D158,774 S * 5/1950 Lippincott D32/32
D200,093 S * 1/1965 Frost D32/32

D206,055 S * 10/1966 Bearnse et al. D32/32
D273,146 S * 3/1984 Farr D32/31
D303,026 S * 8/1989 Kilakis D32/32
5,533,230 A * 7/1996 Rouda 15/339
D405,570 S * 2/1999 Broecking D32/32
D483,162 S * 12/2003 Lausevic D32/32
D509,332 S * 9/2005 White D32/32
D526,102 S * 8/2006 Adams D32/32
D658,832 S * 5/2012 Eden et al. D32/32

(Continued)

FOREIGN PATENT DOCUMENTS

FR 073787 11/2007

OTHER PUBLICATIONS

Cole et al., U.S. Office Action mailed Aug. 7, 2015, directed to U.S. Appl. No. 29/498,861; 8 pages.

(Continued)

Primary Examiner — Ruth McInroy

(74) *Attorney, Agent, or Firm* — Morrison & Foerster LLP

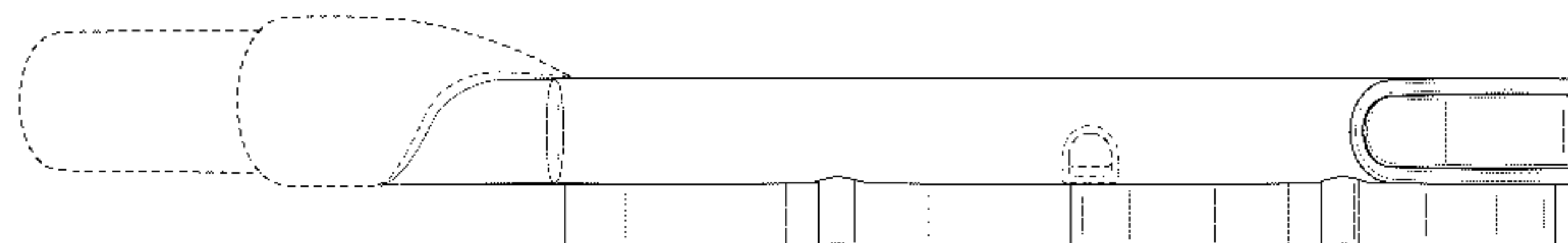
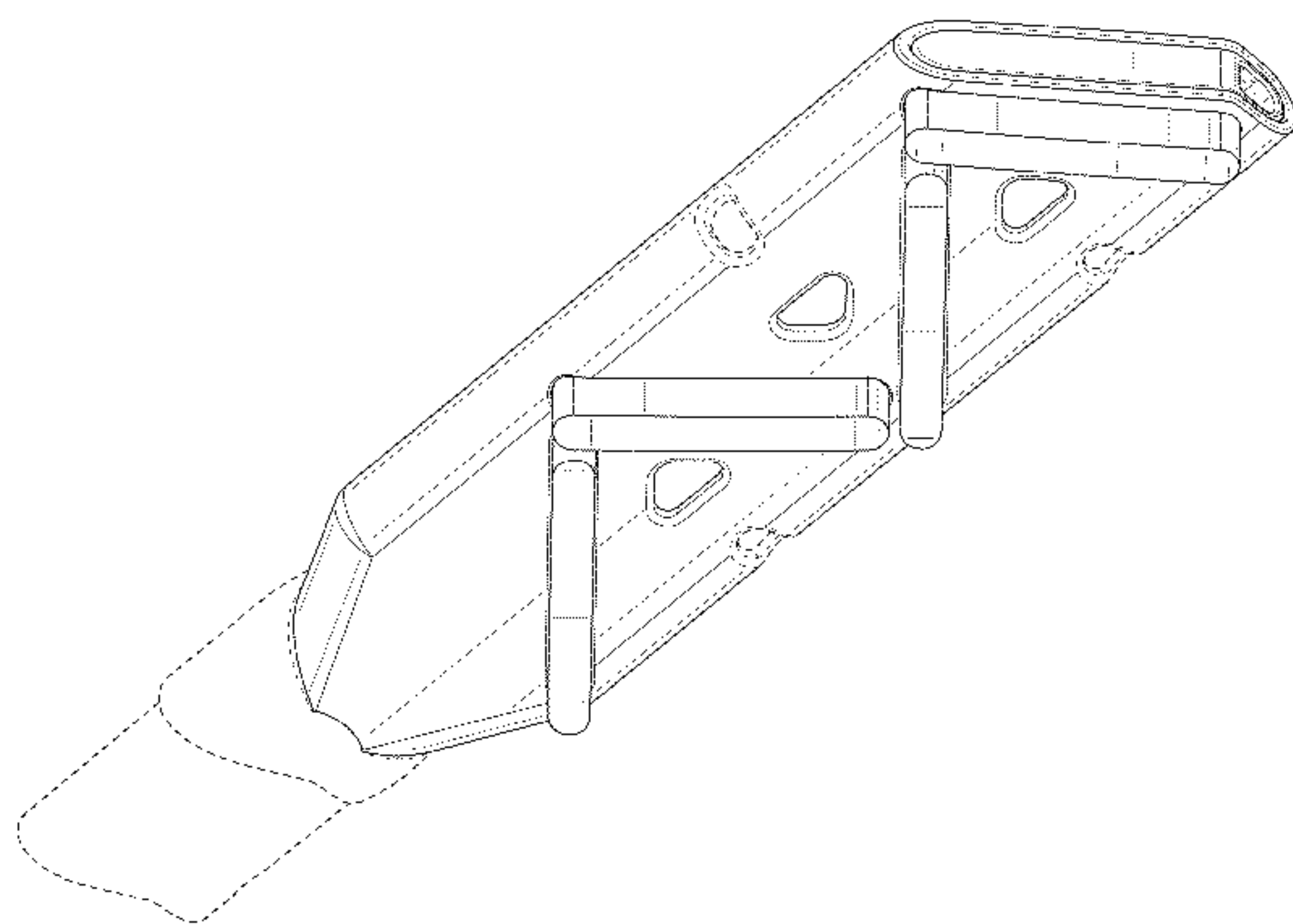
(57) **CLAIM**

We claim the ornamental design for a tool for a vacuum cleaner, as shown and described.

DESCRIPTION

FIG. 1 is a bottom perspective view of a tool for a vacuum cleaner showing our new design;
FIG. 2 is a top perspective view thereof;
FIG. 3 is a front view thereof;
FIG. 4 is a rear view thereof;
FIG. 5 is a side view thereof;
FIG. 6 is a side view of the opposite side of FIG. 5;
FIG. 7 is a top view thereof; and,
FIG. 8 is a bottom view thereof.
The details shown in broken lines form no part of the claimed design.

1 Claim, 7 Drawing Sheets



(56)

References Cited

U.S. PATENT DOCUMENTS

D666,373	S *	8/2012	Eden et al.	D32/32
D714,005	S *	9/2014	McGurk	D32/32
D733,376	S *	6/2015	Bennett et al.	D32/33
2004/0020007	A1 *	2/2004	Lausevic	15/420
2010/0170060	A1 *	7/2010	Eccardt et al.	15/415.1
2012/0090639	A1 *	4/2012	Heldman et al.	134/21
2013/0326843	A1 *	12/2013	Schwartz	15/415.1

OTHER PUBLICATIONS

Cole et al., U.S. Office Action mailed Sep. 9, 2015, directed to U.S. Appl. No. 29/498,862; 8 pages.

Cole et al., U.S. Office Action mailed Sep. 9, 2015, directed to U.S. Appl. No. 29/498,921; 8 pages.

Cole et al., U.S. Office Action mailed Aug. 10, 2015, directed to U.S. Appl. No. 29/498,895; 8 pages.

Cole et al., U.S. Office Action mailed Aug. 10, 2015, directed to U.S. Appl. No. 29/498,898; 8 pages.

Cole et al., U.S. Office Action mailed Sep. 11, 2015, directed to U.S. Appl. No. 29/498,880; 8 pages.

Cole et al., U.S. Office Action mailed Sep. 9, 2015, directed to U.S. Appl. No. 29/498,882; 9 pages.

* cited by examiner

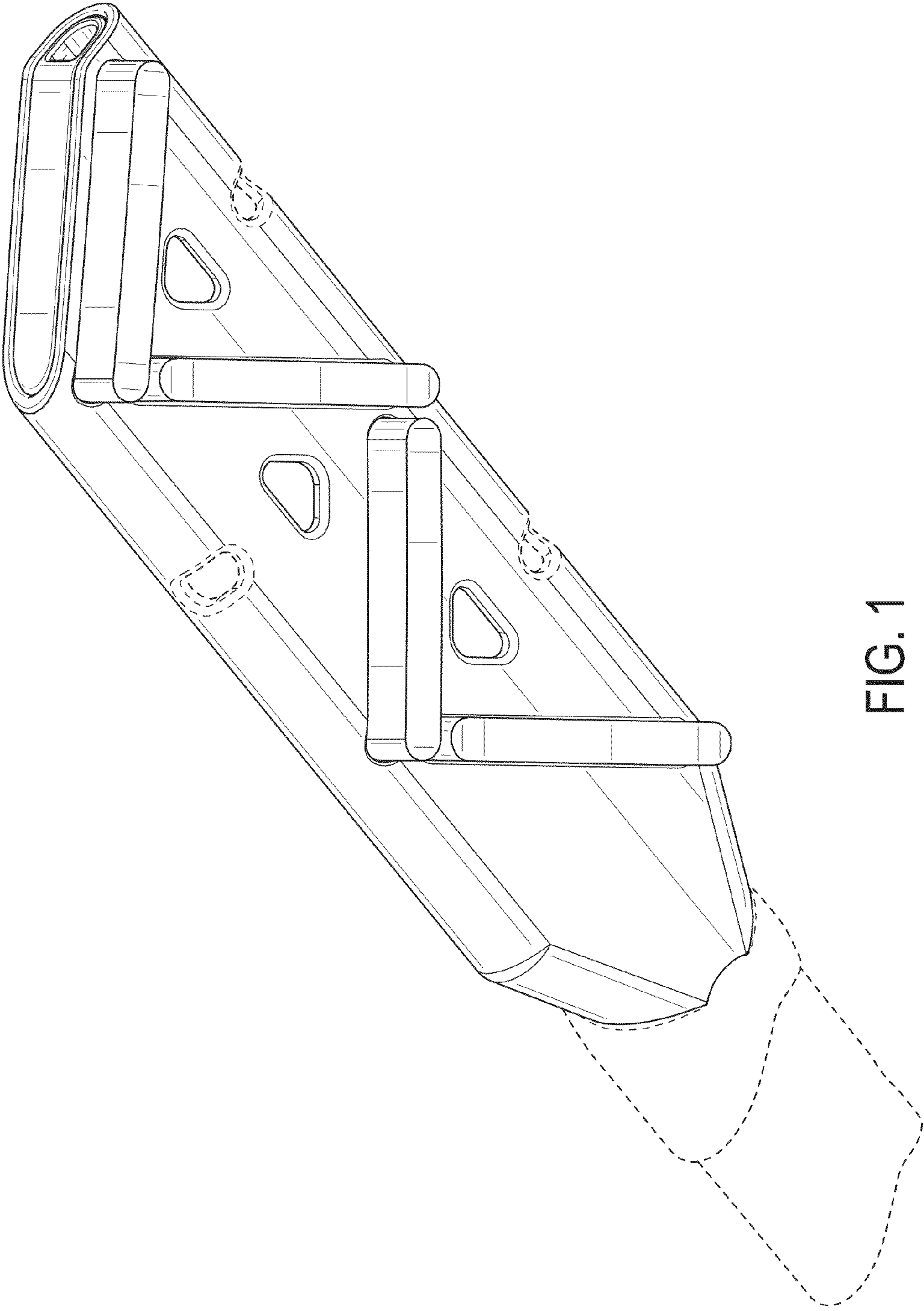


FIG. 1

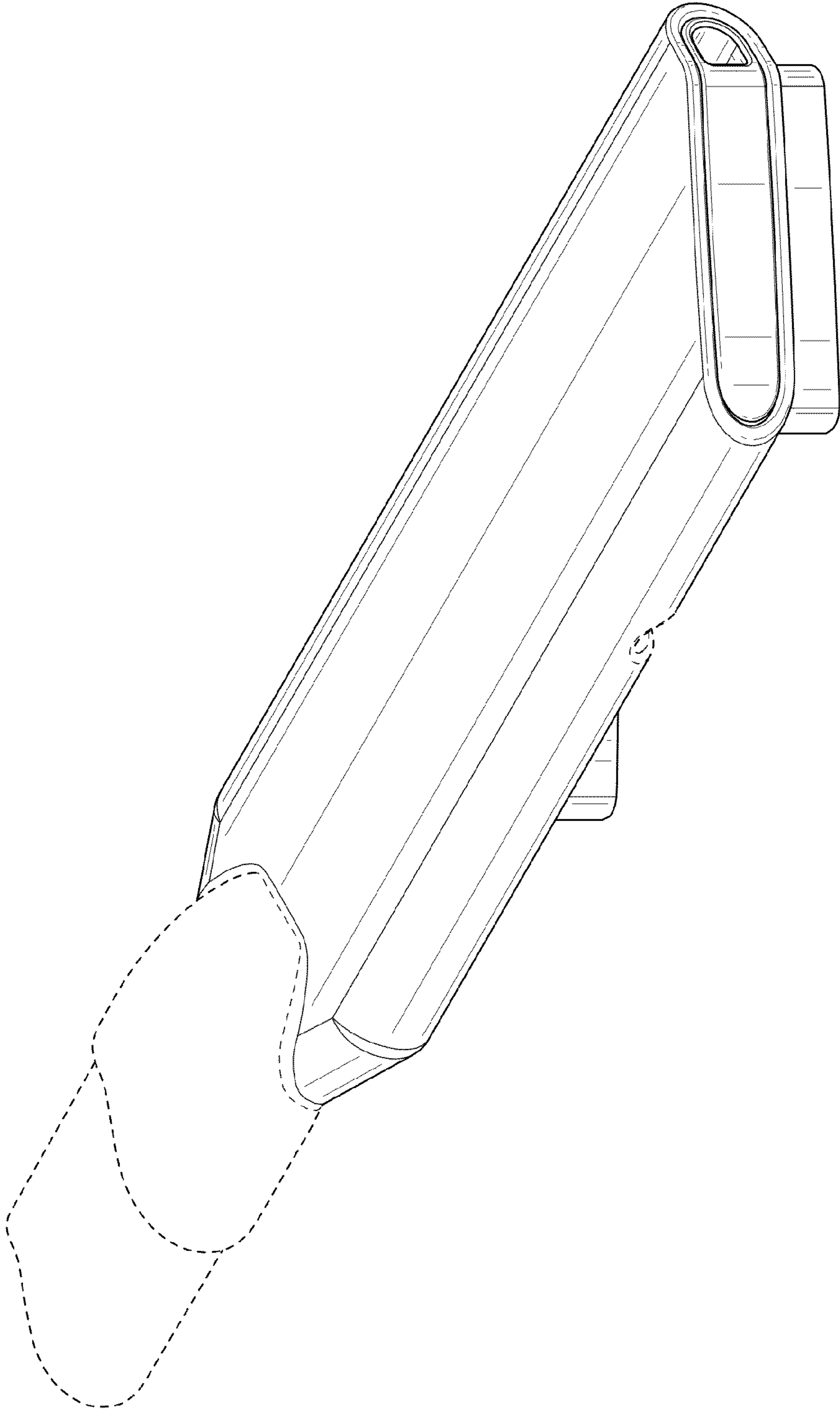


FIG. 2

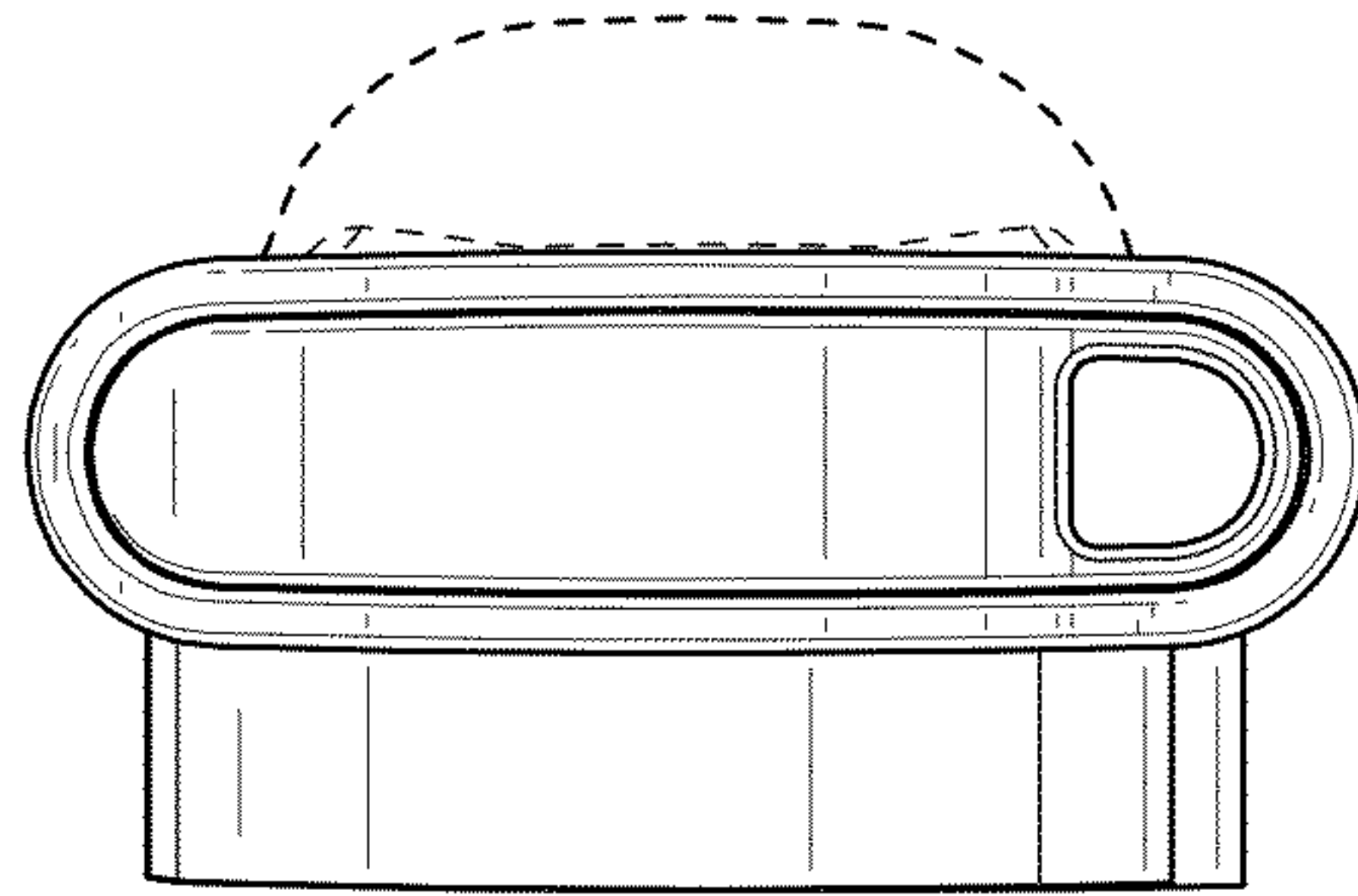


FIG. 3

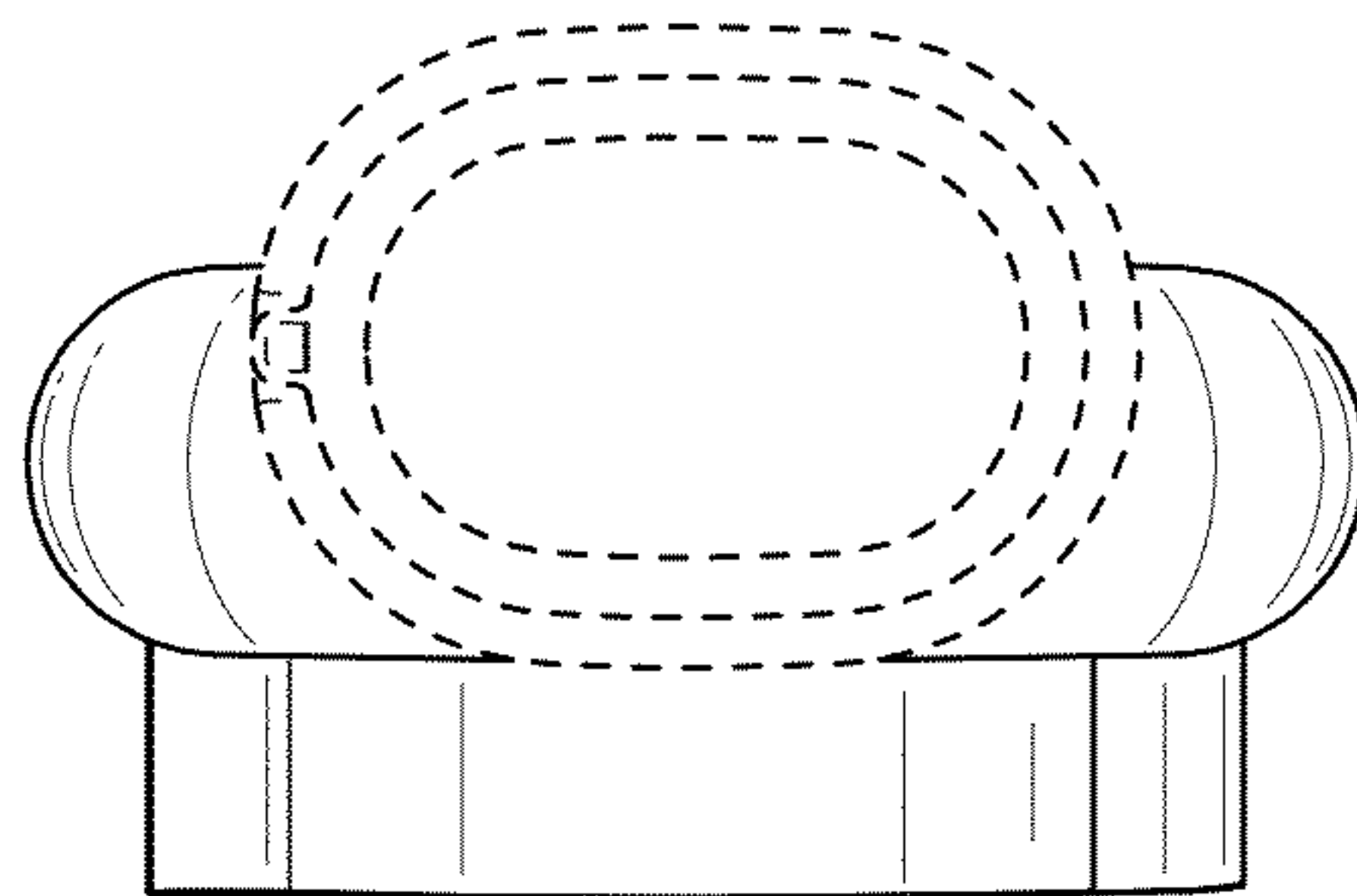


FIG. 4

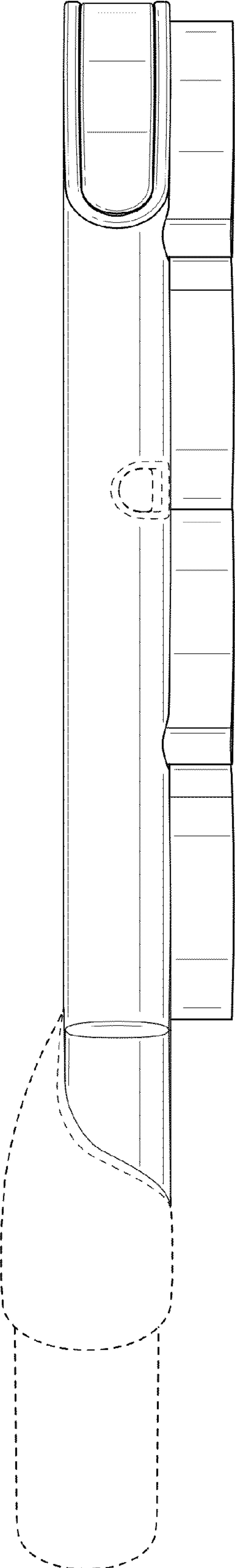


FIG. 5

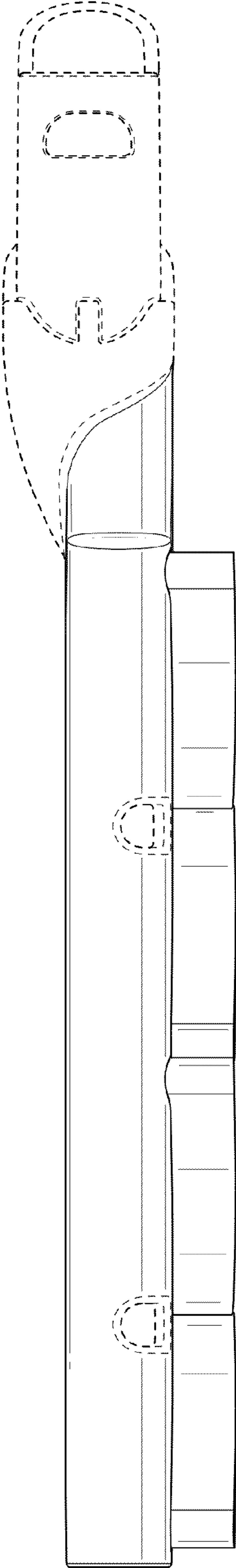


FIG. 6

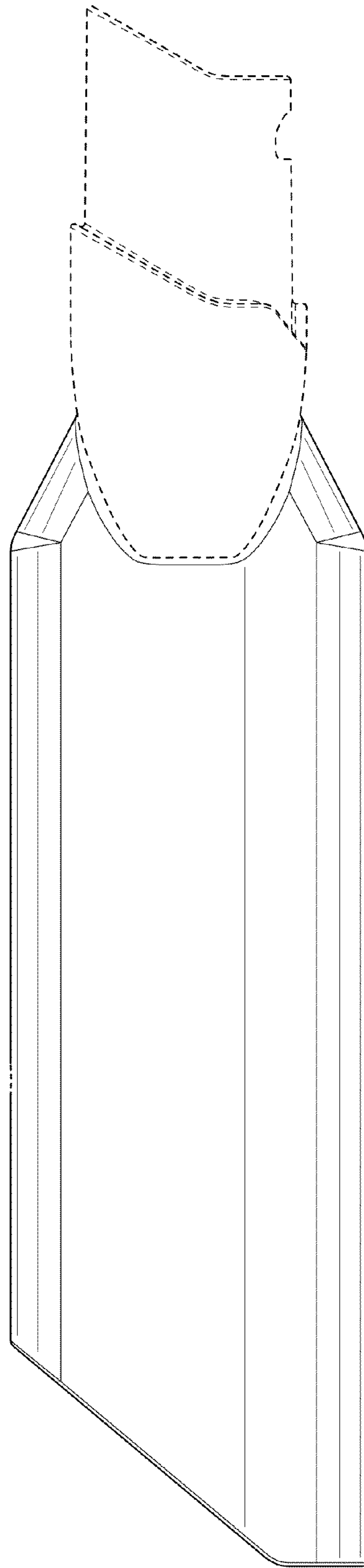


FIG. 7

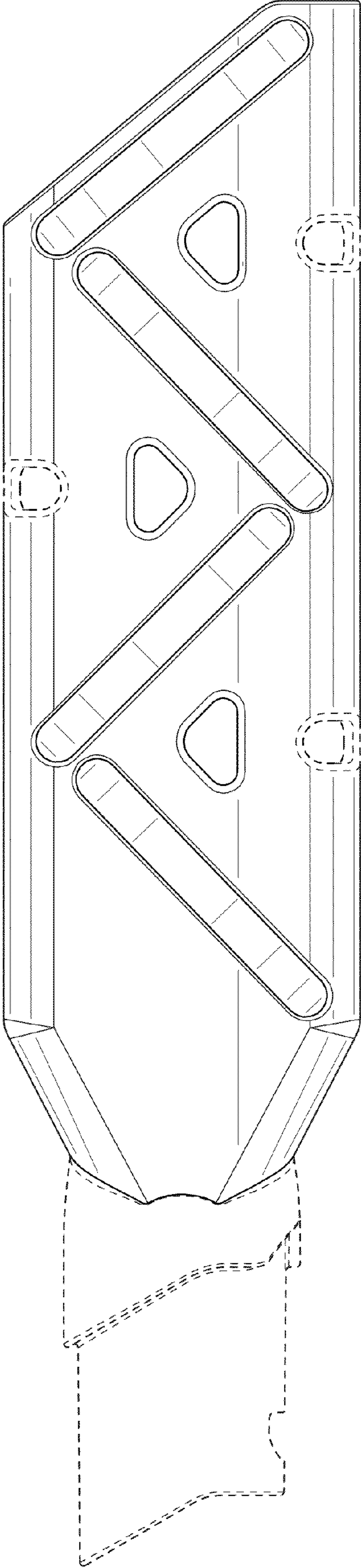


FIG. 8