



US00D757379S

(12) **United States Design Patent**  
**Cole et al.**

(10) **Patent No.:** **US D757,379 S**

(45) **Date of Patent:** **\*\* \*May 24, 2016**

(54) **TOOL FOR A VACUUM CLEANER**

(71) Applicant: **Dyson Technology Limited**, Wiltshire (GB)

(72) Inventors: **Samuel Steven Cole**, Swindon (GB); **Sean Ventress**, Bristol (GB); **Adam James Bates**, Oxford (GB); **Andrea Ee-Va Lim**, Bristol (GB); **Peter David Gammack**, Swindon (GB); **James Dyson**, Bristol (GB)

(73) Assignee: **Dyson Technology Limited**, Malmesbury, Wiltshire (GB)

(\*) Notice: This patent is subject to a terminal disclaimer.

(\*\*) Term: **14 Years**

(21) Appl. No.: **29/498,862**

(22) Filed: **Aug. 8, 2014**

(30) **Foreign Application Priority Data**

Feb. 10, 2014 (EM) ..... 002402016-0003

(51) **LOC (10) Cl.** ..... **15-05**

(52) **U.S. Cl.**  
USPC ..... **D32/32**

(58) **Field of Classification Search**  
USPC ..... D32/31-33, 40, 50, 25  
CPC ..... A47L 11/4044; A47L 9/02; A47L 13/12;  
A47L 13/20; A47L 1/08; A47K 7/02  
See application file for complete search history.

(56) **References Cited**

**U.S. PATENT DOCUMENTS**

D147,125 S \* 7/1947 Harvuot ..... D32/32  
D158,774 S \* 5/1950 Lippincott ..... D32/32  
D200,093 S \* 1/1965 Frost ..... D32/32

D206,055 S \* 10/1966 Bearse ..... D32/32  
D273,146 S \* 3/1984 Farr ..... D32/31  
D303,026 S \* 8/1989 Kilakis ..... D32/32  
5,533,230 A \* 7/1996 Rouda ..... 15/339  
D405,570 S \* 2/1999 Broecking ..... D32/32  
D483,162 S \* 12/2003 Lausevic ..... D32/32  
D509,332 S \* 9/2005 White ..... D32/32  
D526,102 S \* 8/2006 Adams ..... D32/32  
D658,832 S \* 5/2012 Eden et al. .... D32/32

(Continued)

**FOREIGN PATENT DOCUMENTS**

FR 073787 11/2007

**OTHER PUBLICATIONS**

Cole et al., U.S. Office Action mailed Aug. 7, 2015, directed to U.S. Appl. No. 29/498,861; 8 pages.

(Continued)

*Primary Examiner* — Ruth McInroy

(74) *Attorney, Agent, or Firm* — Morrison & Foerster LLP

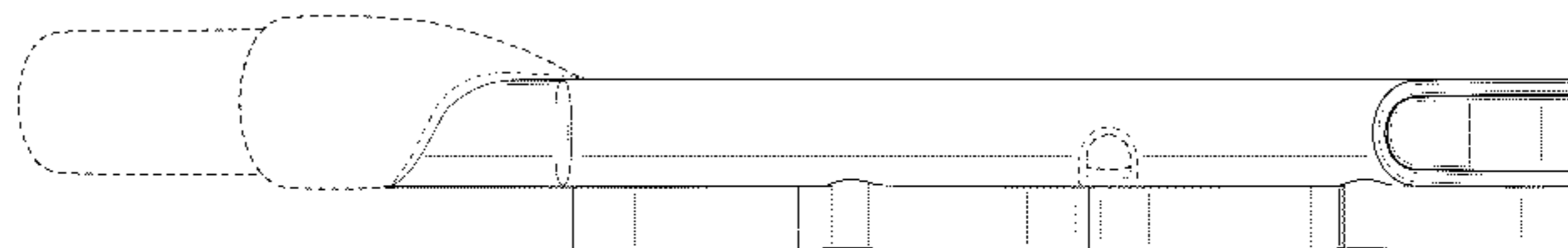
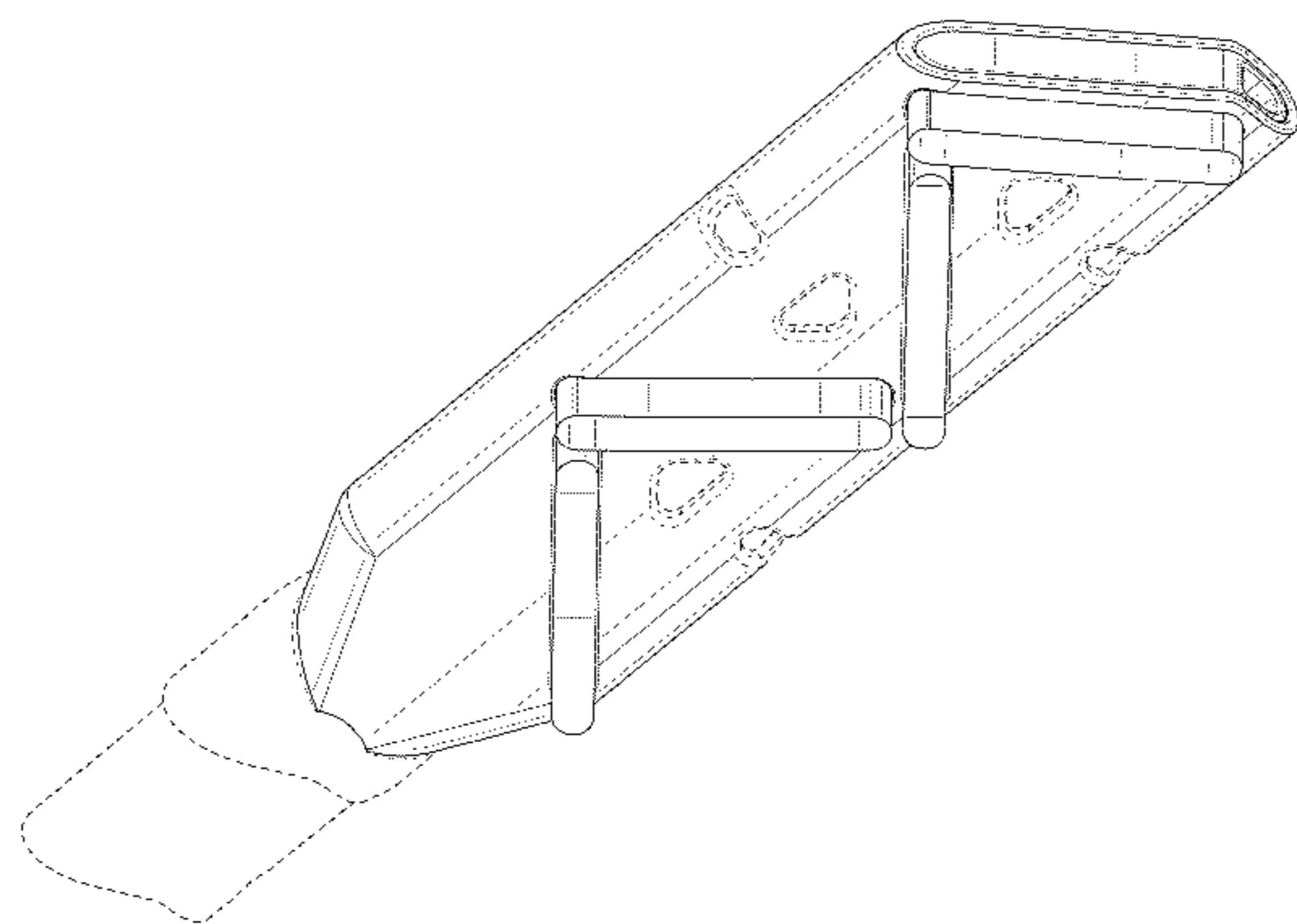
(57) **CLAIM**

We claim the ornamental design for a tool for a vacuum cleaner, as shown and described.

**DESCRIPTION**

FIG. 1 is a bottom perspective view of a tool for a vacuum cleaner showing our new design;  
FIG. 2 is a top perspective view thereof;  
FIG. 3 is a front view thereof;  
FIG. 4 is a rear view thereof;  
FIG. 5 is a side view thereof;  
FIG. 6 is a side view of the opposite side of FIG. 5;  
FIG. 7 is a top view thereof; and,  
FIG. 8 is a bottom view thereof.  
The details shown in broken lines form no part of the claimed design.

**1 Claim, 7 Drawing Sheets**



(56)

**References Cited**

U.S. PATENT DOCUMENTS

D666,373	S *	8/2012	Eden et al.	.....	D32/32
D714,005	S *	9/2014	McGurk	.....	D32/32
D733,376	S *	6/2015	Bennett et al.	.....	D32/33
2004/0020007	A1 *	2/2004	Lausevic	.....	15/420
2010/0170060	A1 *	7/2010	Eccardt et al.	.....	15/415.1
2012/0090639	A1 *	4/2012	Heldman et al.	.....	134/21
2013/0326843	A1 *	12/2013	Schwartz	.....	15/415.1

OTHER PUBLICATIONS

Cole et al., U.S. Office Action mailed Sep. 9, 2015, directed to U.S. Appl. No. 29/498,918; 8 pages.

Cole et al., U.S. Office Action mailed Sep. 9, 2015, directed to U.S. Appl. No. 29/498,921; 8 pages.

Cole et al., U.S. Office Action mailed Aug. 10, 2015, directed to U.S. Appl. No. 29/498,895; 8 pages.

Cole et al., U.S. Office Action mailed Aug. 10, 2015, directed to U.S. Appl. No. 29/498,898; 8 pages.

Cole et al., U.S. Office Action mailed Sep. 11, 2015, directed to U.S. Appl. No. 29/498,880; 8 pages.

Cole et al., U.S. Office Action mailed Sep. 9, 2015, directed to U.S. Appl. No. 29/498,882; 9 pages.

\* cited by examiner

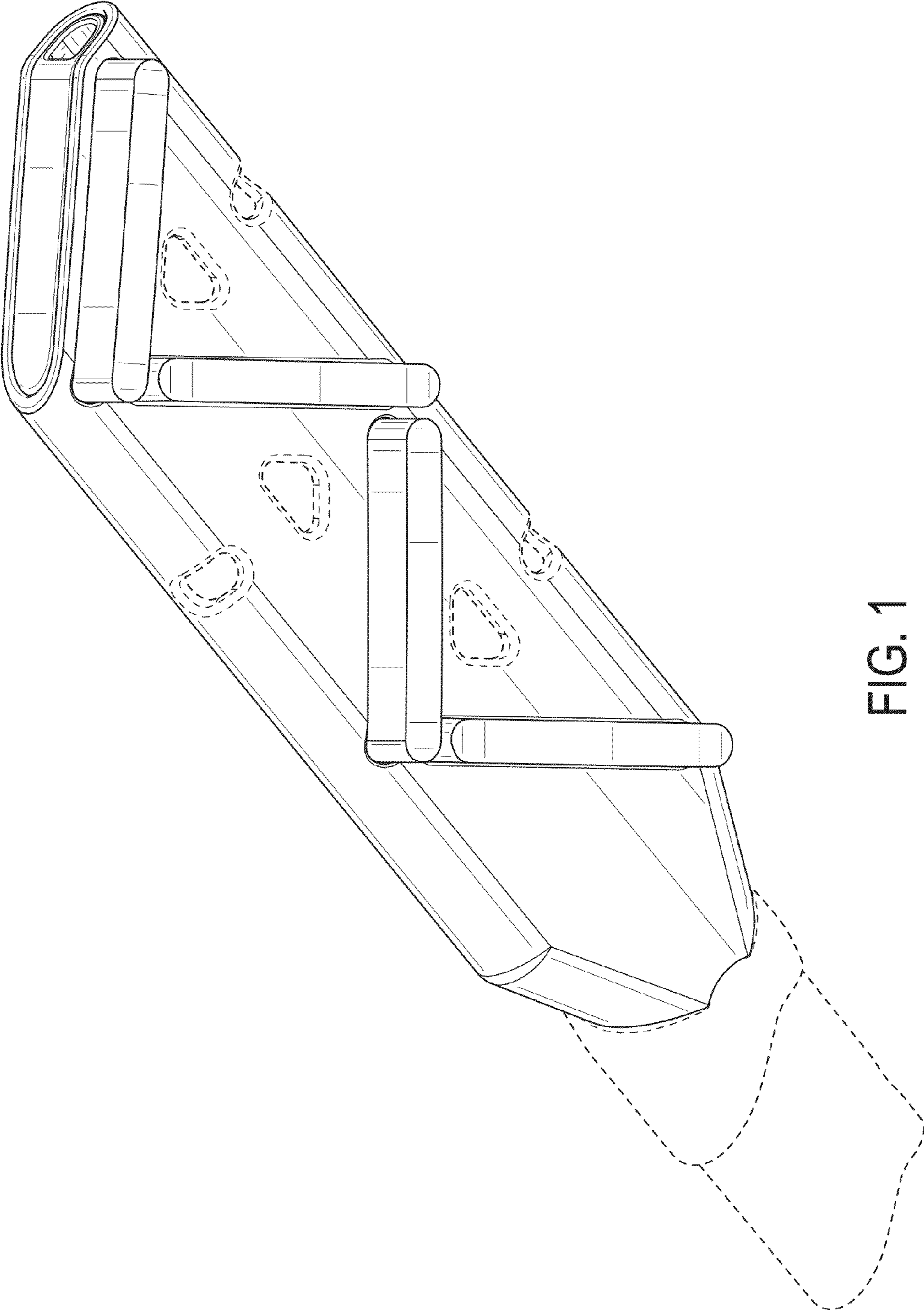


FIG. 1

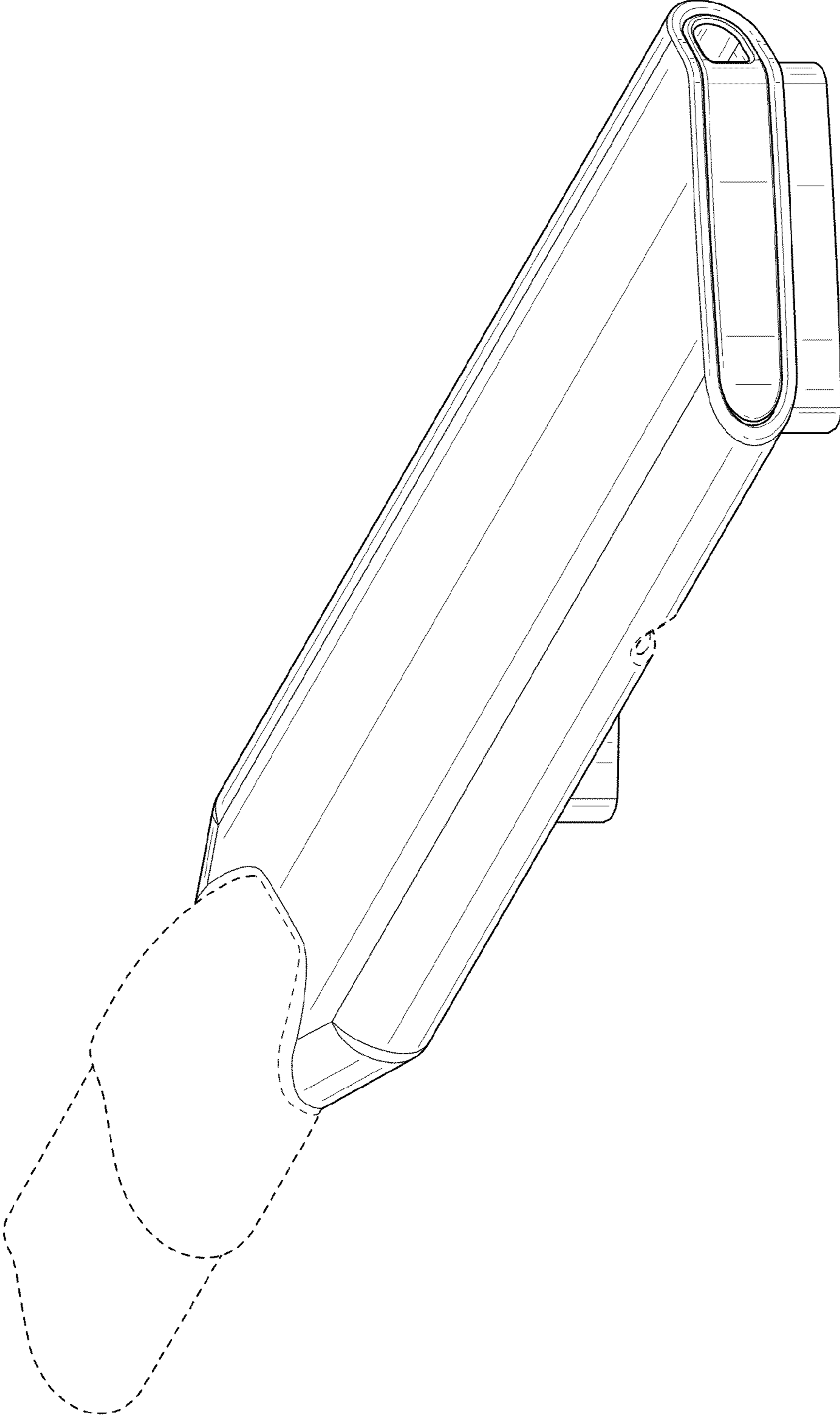


FIG. 2

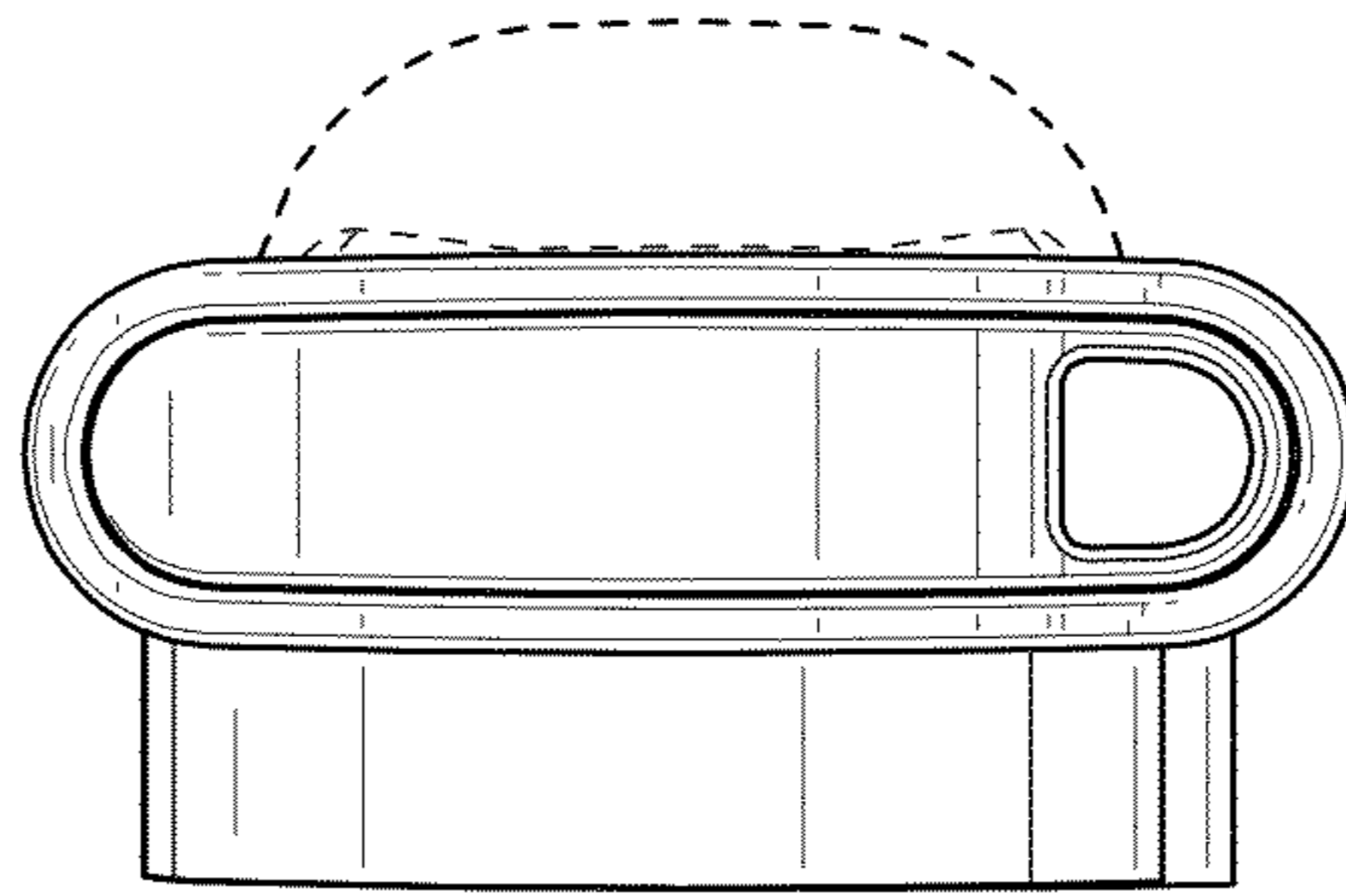


FIG. 3

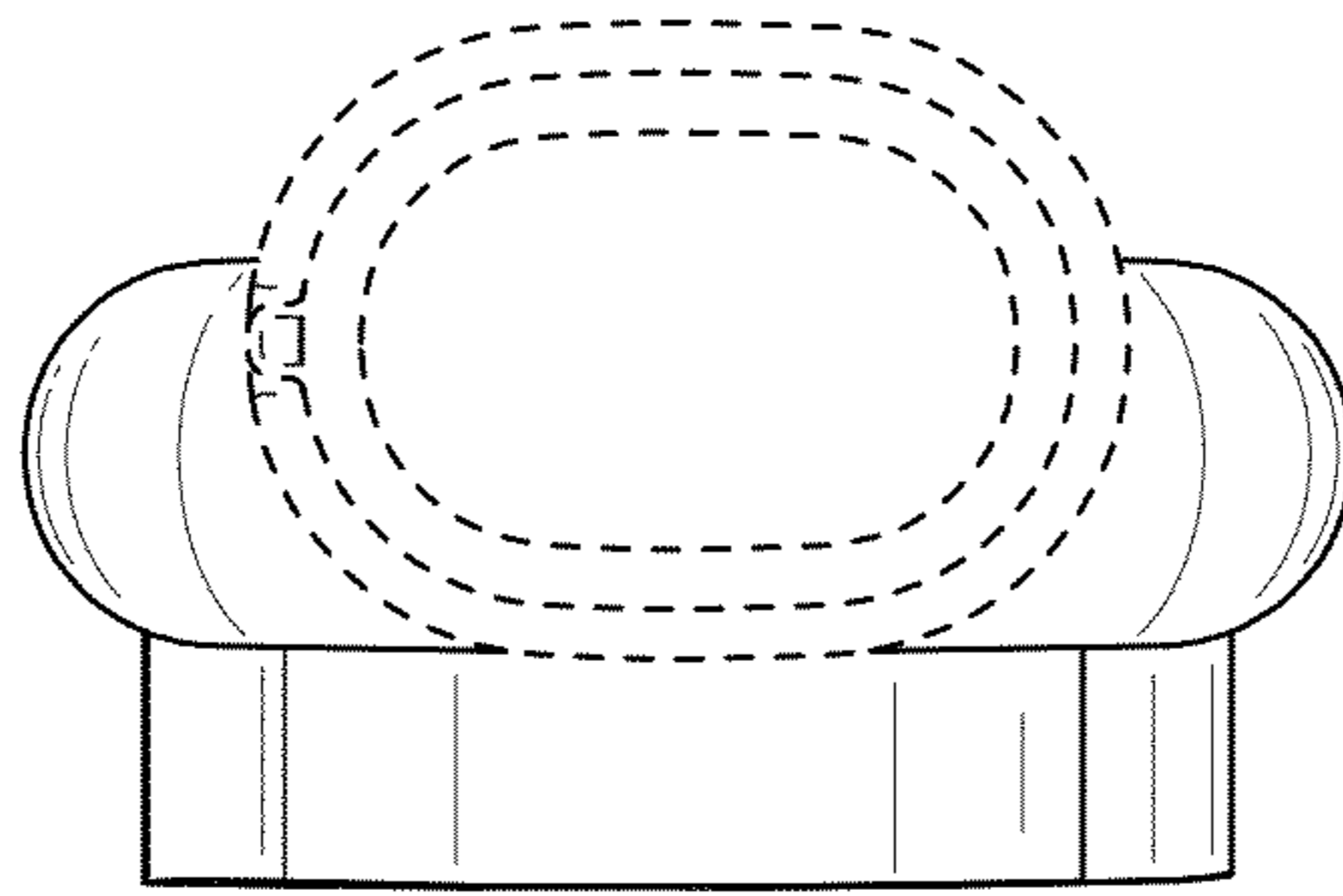


FIG. 4

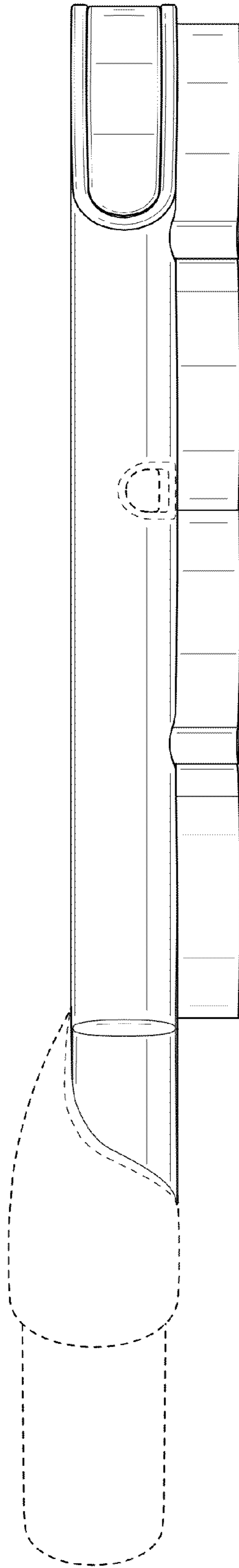


FIG. 5

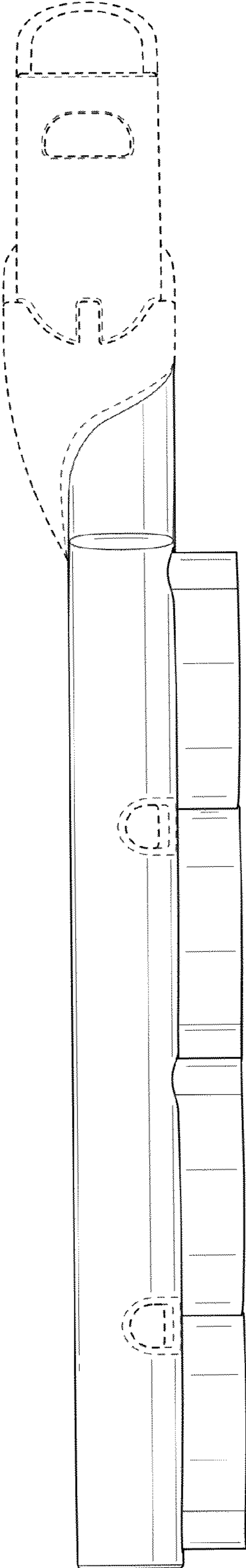


FIG. 6

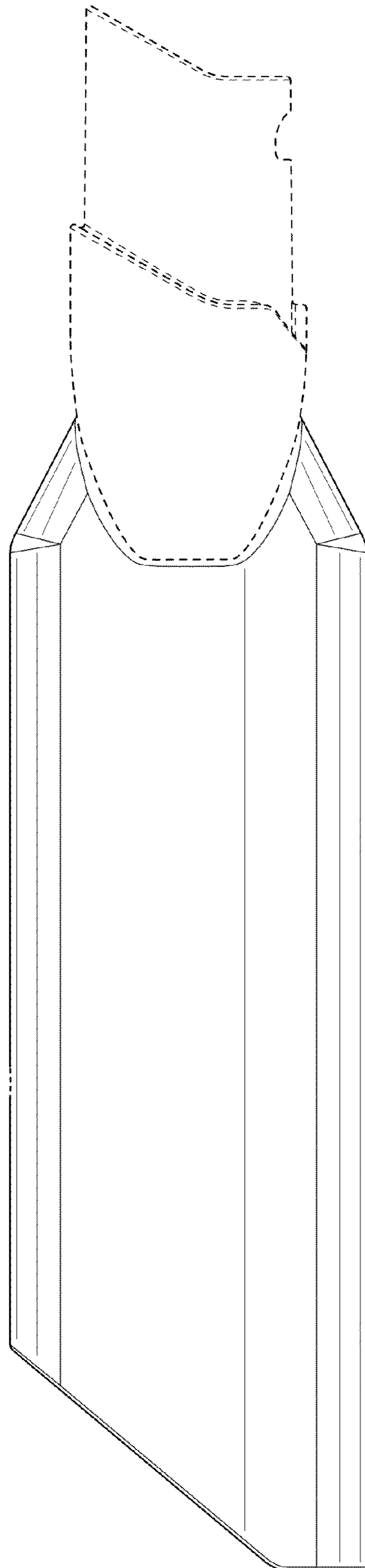


FIG. 7



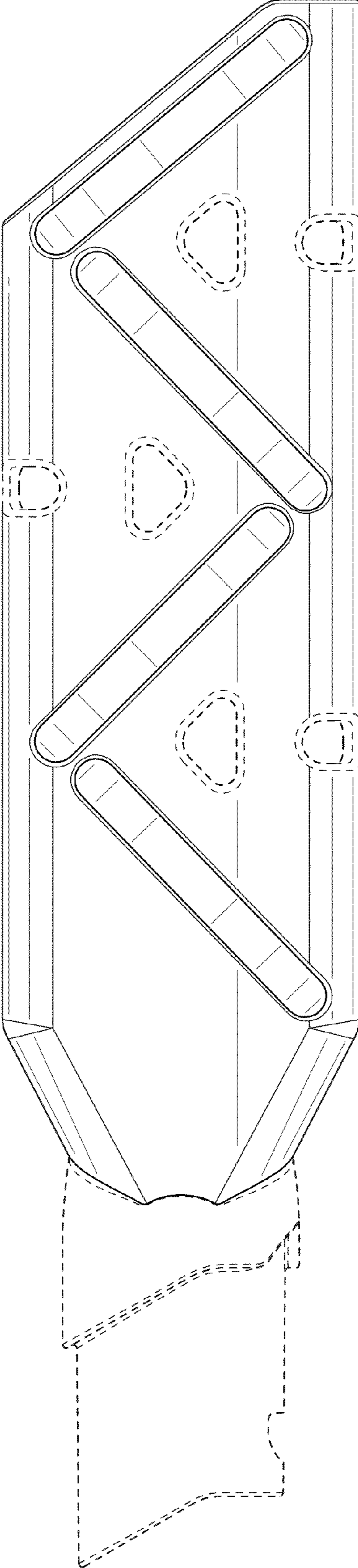


FIG. 8