



US00D757375S

(12) **United States Design Patent**  
**Salais**

(10) **Patent No.:** **US D757,375 S**  
(45) **Date of Patent:** **\*\* May 24, 2016**

(54) **DOG LEASH HANDLE**

FOREIGN PATENT DOCUMENTS

(71) Applicant: **Steve Salais**, Modesto, CA (US)

GB 2055707 \* 8/1996  
KR 300665824.0000 \* 11/2012

(72) Inventor: **Steve Salais**, Modesto, CA (US)

OTHER PUBLICATIONS

(\*\*) Term: **14 Years**

Flexi Dog Nylon Leash Comfort 2, Announced Jan. 18, 2009, [ Site Visited Aug. 3, 2015 ]<http://www.fordogtrainers.com/browseproducts/Flexi-dog-nylon-leash-Comfort-2.html>.\*

(21) Appl. No.: **29/497,150**

(Continued)

(22) Filed: **Jul. 21, 2014**

(51) **LOC (10) Cl.** ..... **30-04**

*Primary Examiner* — John Windmuller

(52) **U.S. Cl.**

*Assistant Examiner* — Luqman McNeil

USPC ..... **D30/153**

(74) *Attorney, Agent, or Firm* — Douglas L. Weller

(58) **Field of Classification Search**

(57) **CLAIM**

USPC ..... D30/153, 155, 152; D13/168; D3/226;  
D9/692, 504, 772; 222/402.11, 183,  
222/153.1, 153.13, 153.11, 1; 119/795;  
D11/152; D7/608, 510, 607; D32/31  
CPC .. B65D 83/205; B65D 77/065; B65D 47/121;  
B65D 83/222; B05B 11/3059; B05C 5/0225;  
A01K 27/003; A47B 61/003; H01R 13/4361;  
H01R 12/88; A45C 11/32; A45D 34/02  
See application file for complete search history.

The ornamental design for a dog leash handle, as shown and described.

**DESCRIPTION**

(56) **References Cited**

U.S. PATENT DOCUMENTS

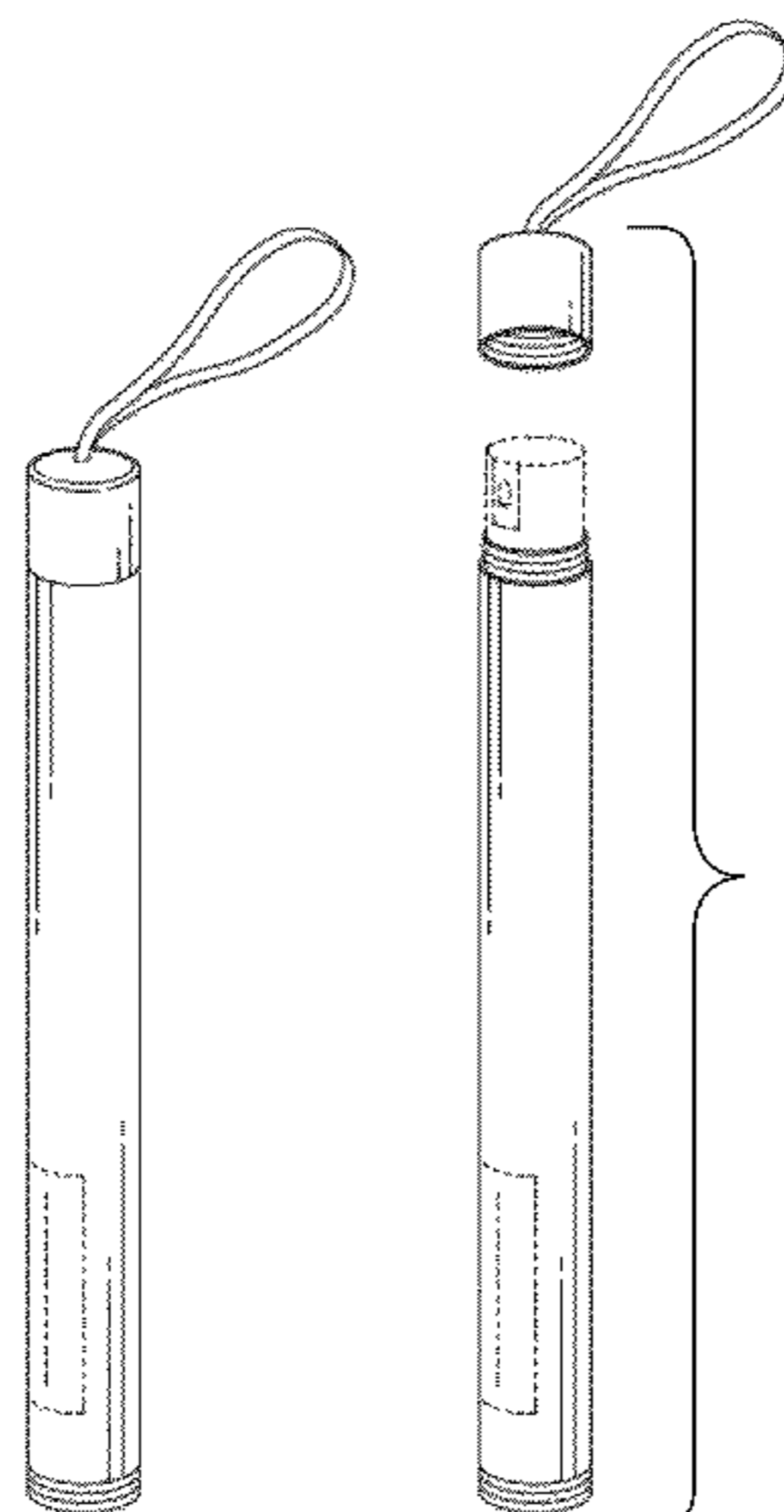
D175,316 S \* 8/1955 Roccia ..... D30/153  
3,286,850 A \* 11/1966 Ruhnke ..... A47B 61/003  
211/105.1  
3,503,035 A \* 3/1970 Lazar ..... H01R 13/4361  
439/578  
D218,102 S \* 7/1970 Schwartz ..... D13/168  
3,608,791 A \* 9/1971 Jordan ..... B65D 83/205  
222/402.11  
3,848,778 A \* 11/1974 Meshberg ..... B65D 83/205  
222/402.11  
4,220,263 A \* 9/1980 Caruso ..... A45C 11/32  
222/183  
4,454,966 A \* 6/1984 Hicks ..... A45D 34/02  
222/153.11  
D278,121 S \* 3/1985 Sussman ..... D9/504

FIG. 1 is a top front right perspective view of the dog leash handle.  
FIG. 2 is a top front right perspective view of the dog leash handle with a handle cap removed to expose a mace container.  
FIG. 3 is a top front right perspective view of the dog leash handle with a handle cap removed and a mace container removed from the dog leash handle.  
FIG. 4 is a front elevational view of the dog leash handle with a tip and dog leash attached.  
FIG. 5 is a back elevational view of the dog leash handle with a tip and dog leash attached.  
FIG. 6 is a right elevational view of the dog leash handle with a tip and dog leash attached.  
FIG. 7 is a left elevational view of the dog leash handle with a tip and dog leash attached; and,  
FIG. 8 is a top front right perspective view of the dog leash handle demonstrating a dog waste disposal bag being removed from a flexible slit in the handle.

In the drawings, the broken lines are included only for the purpose of illustrating environment and form no part of the claimed design.

(Continued)

**1 Claim, 6 Drawing Sheets**



(56)

**References Cited**

U.S. PATENT DOCUMENTS

D322,753 S \* 12/1991 Sussman ..... D11/152  
 5,388,730 A \* 2/1995 Abbott ..... B65D 83/22  
 222/153.13  
 5,531,359 A \* 7/1996 Winner ..... B65D 83/384  
 222/153.11  
 D379,714 S \* 6/1997 Cerny ..... D3/264  
 5,842,601 A \* 12/1998 Pierpoint ..... F41H 9/10  
 222/1  
 5,871,849 A \* 2/1999 Lepine ..... B32B 21/08  
 142/7  
 5,904,586 A \* 5/1999 Takayasu ..... H01R 12/88  
 439/260  
 5,971,230 A \* 10/1999 Tanaka ..... B65D 83/205  
 222/402.1  
 6,019,067 A \* 2/2000 Carey ..... A01K 27/006  
 119/795  
 D423,300 S \* 4/2000 Matsuyama ..... D7/608  
 6,085,695 A \* 7/2000 Miller ..... A01K 27/006  
 119/795  
 6,418,881 B1 \* 7/2002 Starratt ..... A01K 27/006  
 119/769  
 6,550,271 B2 \* 4/2003 Silbert ..... A45C 11/20  
 62/371  
 D491,800 S \* 6/2004 Palomino, Jr. .... D9/504  
 D492,454 S \* 6/2004 Saunders ..... 119/792

D501,311 S \* 2/2005 Passmore ..... D3/208  
 D509,329 S \* 9/2005 Willner ..... D30/153  
 D553,853 S \* 10/2007 Willows ..... D3/226  
 D571,059 S \* 6/2008 Napolitano ..... D30/153  
 D580,777 S \* 11/2008 Caroen ..... D9/692  
 D592,909 S \* 5/2009 Alviar ..... D7/510  
 D610,871 S \* 3/2010 Alviar ..... D7/510  
 D613,500 S \* 4/2010 Overton ..... D3/226  
 D618,907 S \* 7/2010 Overton ..... D3/226  
 D619,422 S \* 7/2010 Parker ..... D7/607  
 D628,018 S \* 11/2010 Gilbert ..... D7/608  
 D629,252 S \* 12/2010 Alviar ..... D7/510  
 D630,474 S \* 1/2011 Gilbert ..... D7/608  
 D631,372 S \* 1/2011 Poyner ..... D9/772  
 D632,037 S \* 2/2011 Carr ..... D32/31  
 D641,591 S \* 7/2011 Tsukida ..... D7/608  
 D653,028 S \* 1/2012 Willows ..... D3/226  
 D655,134 S \* 3/2012 Gilbert ..... D7/510  
 D660,084 S \* 5/2012 Gilbert ..... D7/510  
 D662,267 S \* 6/2012 Morin ..... D30/152  
 D695,470 S \* 12/2013 Reed ..... D30/153

OTHER PUBLICATIONS

Poop Bags: Large Fines for Not Cleaning After Your Pet, Announced  
 Feb. 3, 2012, [ Site Visited Aug. 3, 2015 ] <http://allkindsofstuffblog.com/tag/poop-bags/>.\*

\* cited by examiner

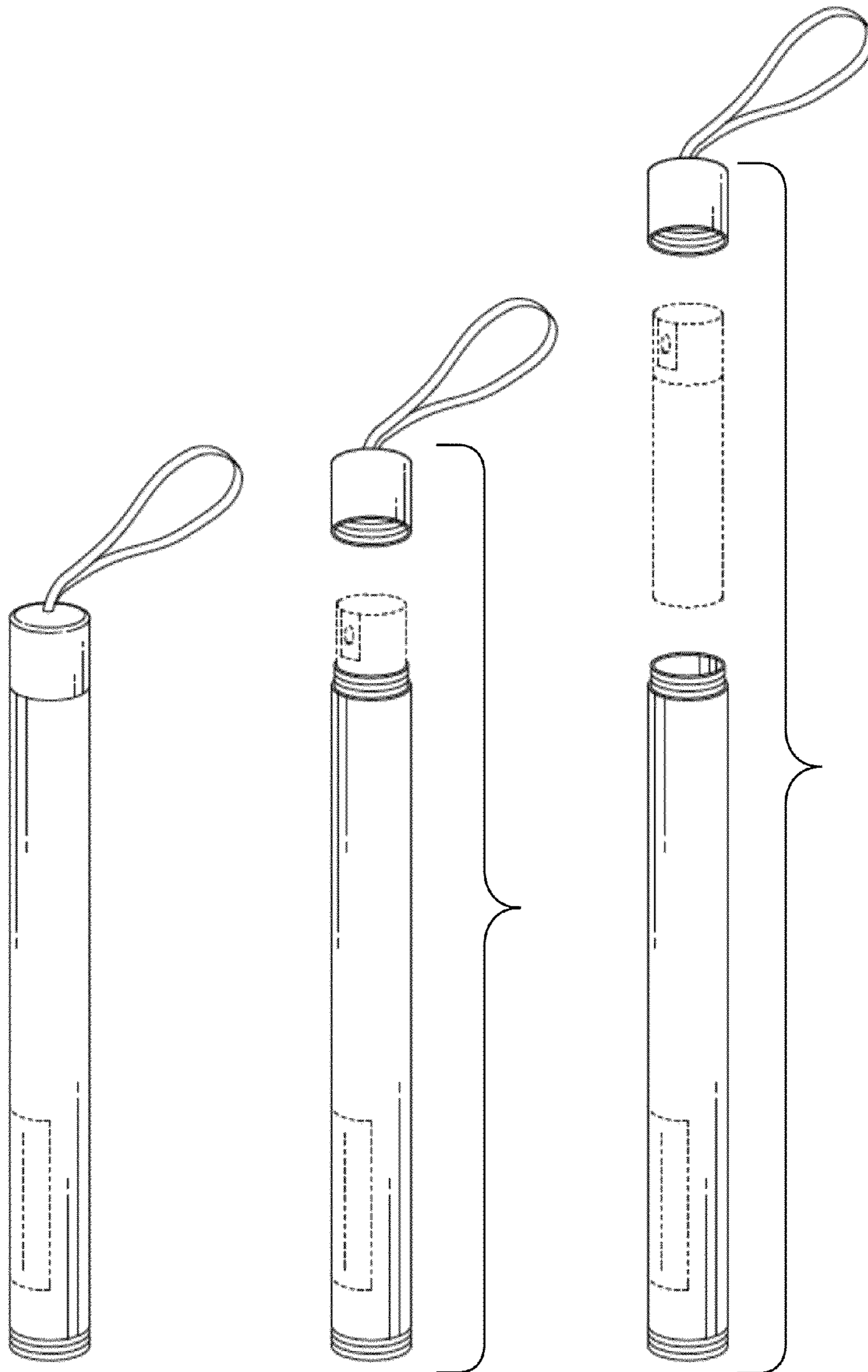


FIG. 1

FIG. 2

FIG. 3

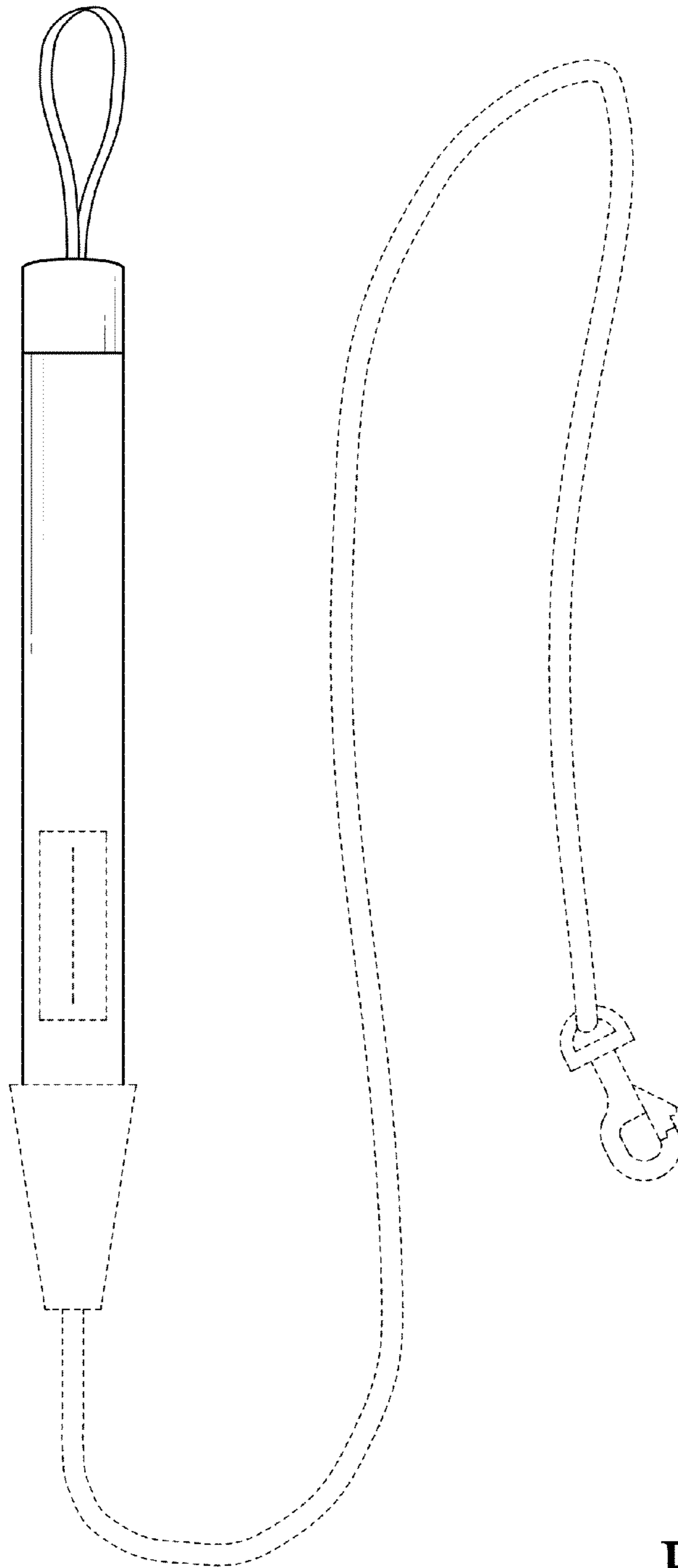


FIG. 4

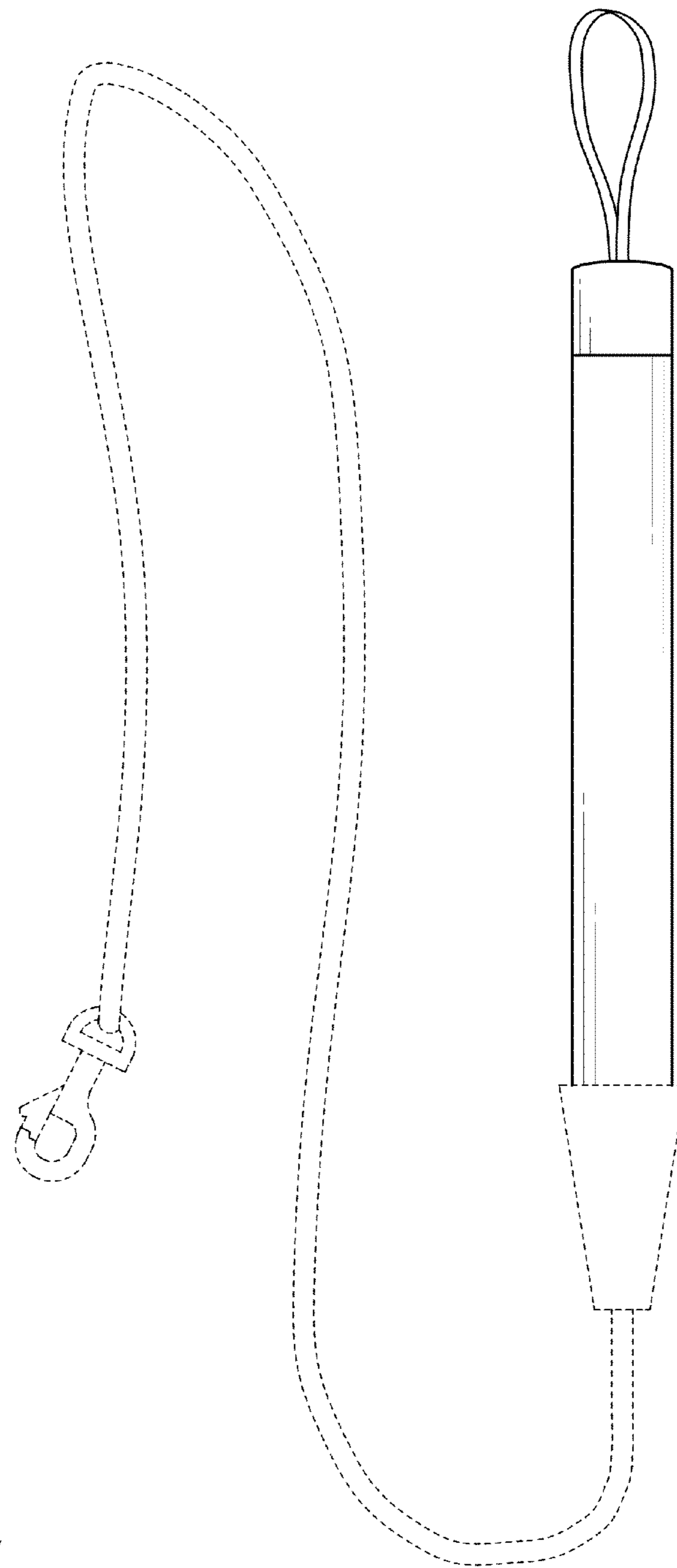


FIG. 5

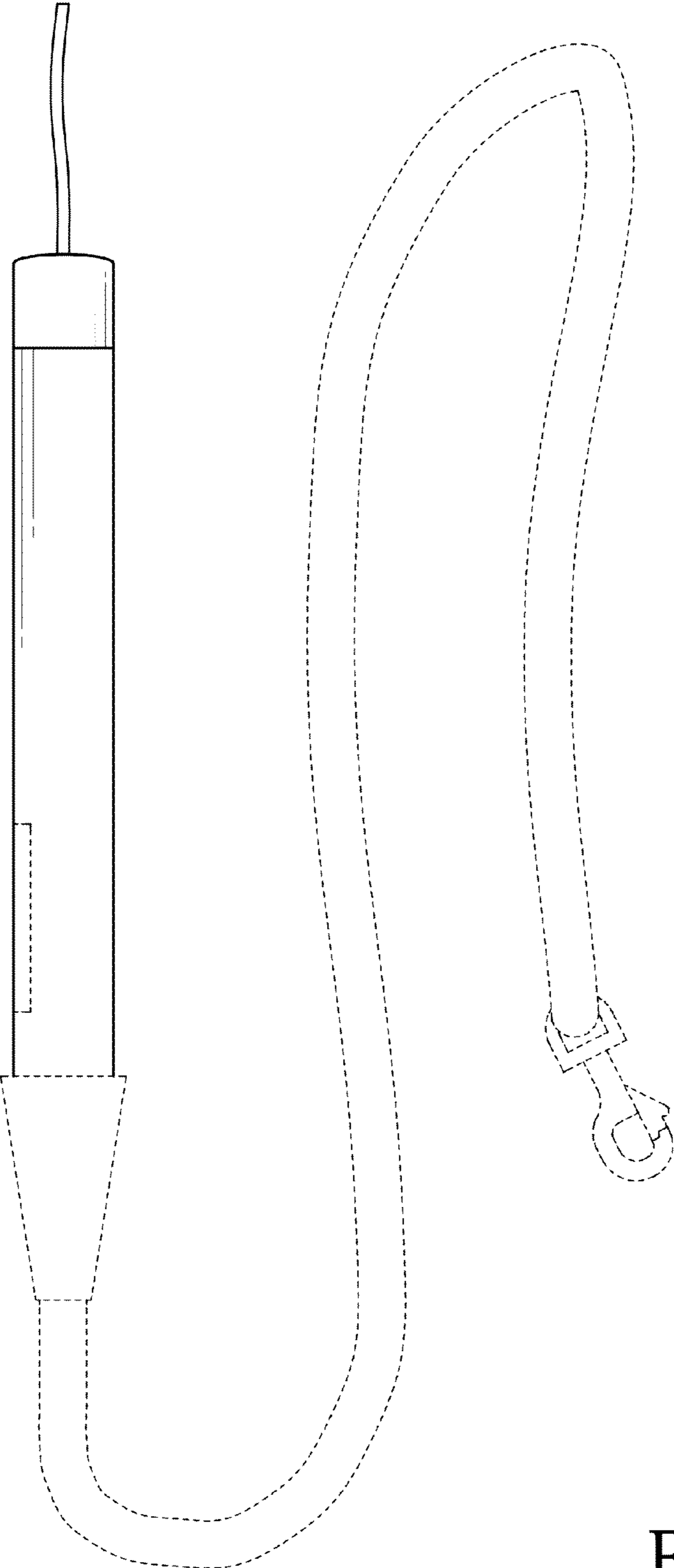


FIG. 6

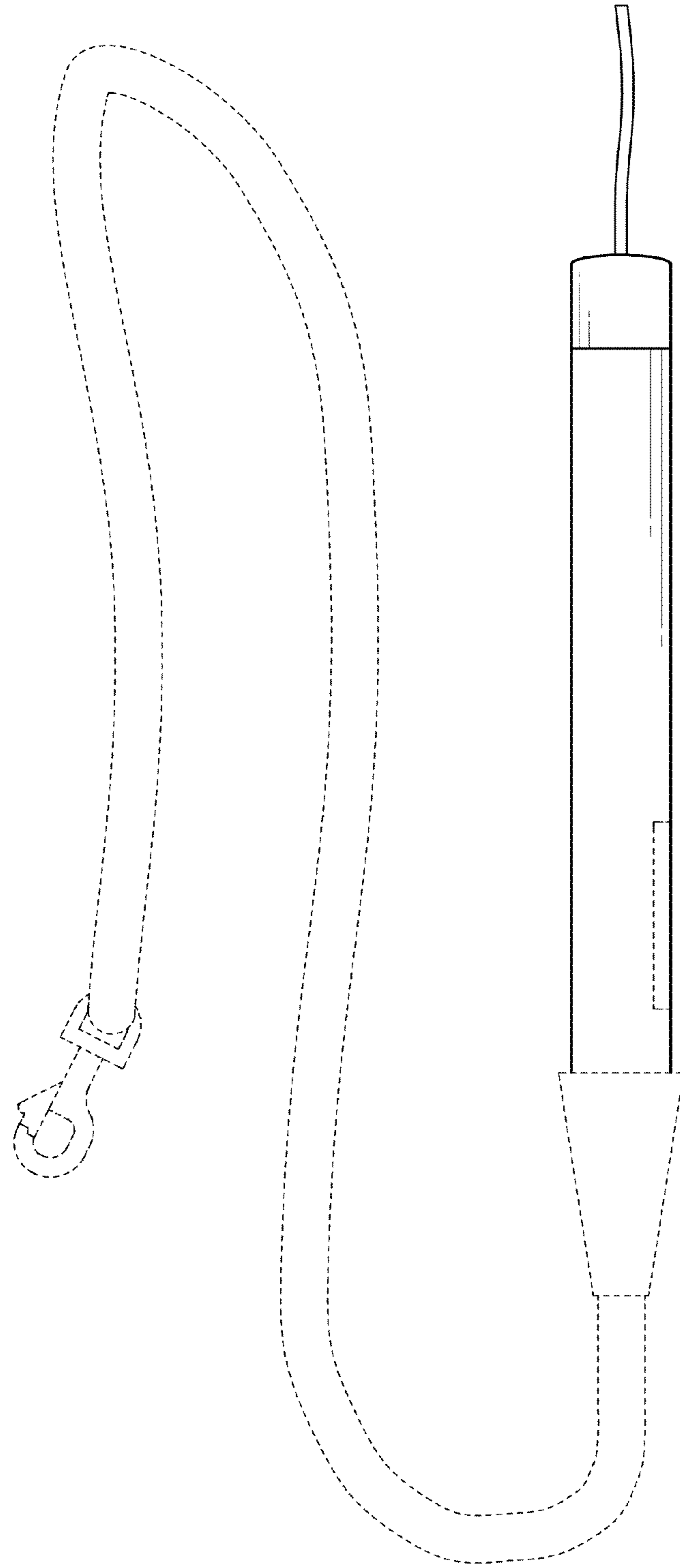


FIG. 7

FIG. 8

