



(12) **United States Design Patent**
Breit

(10) **Patent No.:** **US D757,373 S**
(45) **Date of Patent:** **** May 24, 2016**

- (54) **SINGLE PET BOWL**
- (71) Applicant: **O2Cool, LLC**, Chicago, IL (US)
- (72) Inventor: **Oliver Breit**, Discovery Bay (HK)
- (73) Assignee: **O2COOL, LLC**, Chicago, IL (US)
- (**) Term: **14 Years**
- (21) Appl. No.: **29/525,531**
- (22) Filed: **Apr. 30, 2015**
- (51) **LOC (10) Cl.** **30-03**
- (52) **U.S. Cl.**
USPC **D30/129**
- (58) **Field of Classification Search**
USPC D30/121, 122, 129-133; 119/61.5,
119/51.01, 61.56, 51.03, 59, 62, 63, 51.5,
119/57.8, 74, 61.54, 61.55, 61; 312/204;
248/151, 188; 108/156, 153.1-157;
220/23.87, 630, 737, 743, 9.4, 495.01,
220/574, 212, 255, 23.83, 575; 206/515;
D7/586, 543, 550.1, 587, 505, 584,
D7/545, 500, 553.1-553.8, 546, 555, 556,
D7/504, 565, 562, 602, 507, 549, 558,
D7/552.2, 560, 566, 548, 681; D9/429;
43/109; D22/122; 99/430, DIG. 15
CPC A01K 5/01-5/0142; A01K 7/005
See application file for complete search history.

- 6,032,824 A * 3/2000 Barrow A01K 5/0135
220/621
- 6,227,144 B1 * 5/2001 Quintero A01K 5/0142
119/66
- D443,395 S * 6/2001 Suns D30/129
- D459,841 S * 7/2002 Ross D30/129
- D467,687 S * 12/2002 Tangolics D30/129
- D472,021 S * 3/2003 Northrop D30/129
- D504,196 S * 4/2005 Huthmaker D30/129
- D514,750 S * 2/2006 Matula D30/129
- D563,606 S * 3/2008 Hood D30/129
- 7,387,082 B1 * 6/2008 Fried A01K 5/0114
119/61.5
- 7,789,041 B1 * 9/2010 Taylor A01K 5/0114
119/51.01
- D646,442 S * 10/2011 Chance D30/130
- D646,852 S * 10/2011 Chance D30/129
- D659,296 S * 5/2012 Anderson D30/129
- D702,404 S * 4/2014 Leung D30/129
- D746,619 S * 1/2016 Aller D6/677
- 2007/0199512 A1 * 8/2007 Ellis A01K 7/005
119/61.54
- 2008/0216754 A1 * 9/2008 Lorenzana A01K 5/0114
119/61.55
- 2012/0222624 A1 * 9/2012 Lanter A01K 5/0114
119/61.52

* cited by examiner

Primary Examiner — Susan Moon Lee
(74) *Attorney, Agent, or Firm* — Thompson Coburn LLP

(57) **CLAIM**
I claim the ornamental design for a single pet bowl, as shown and described.

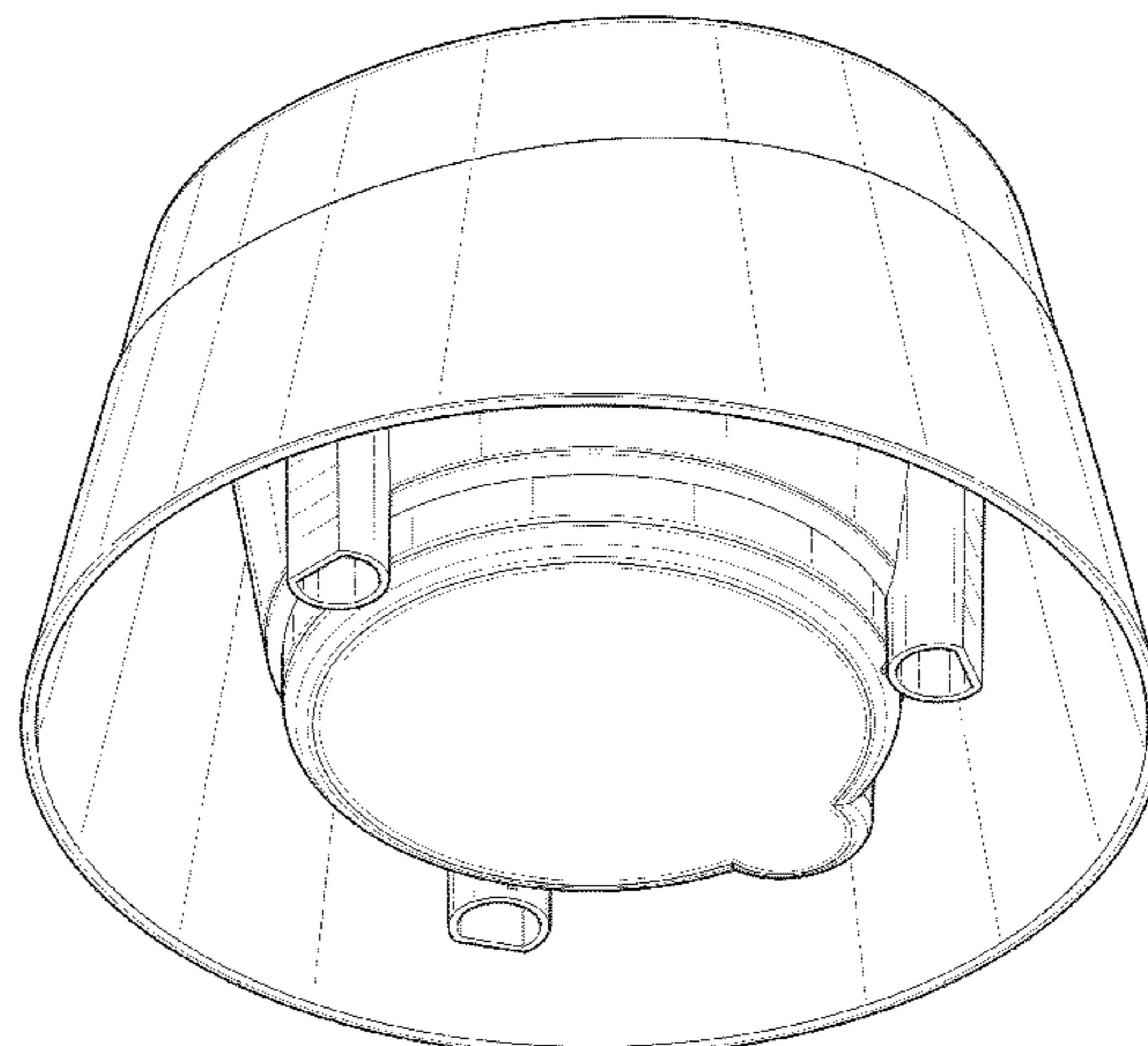
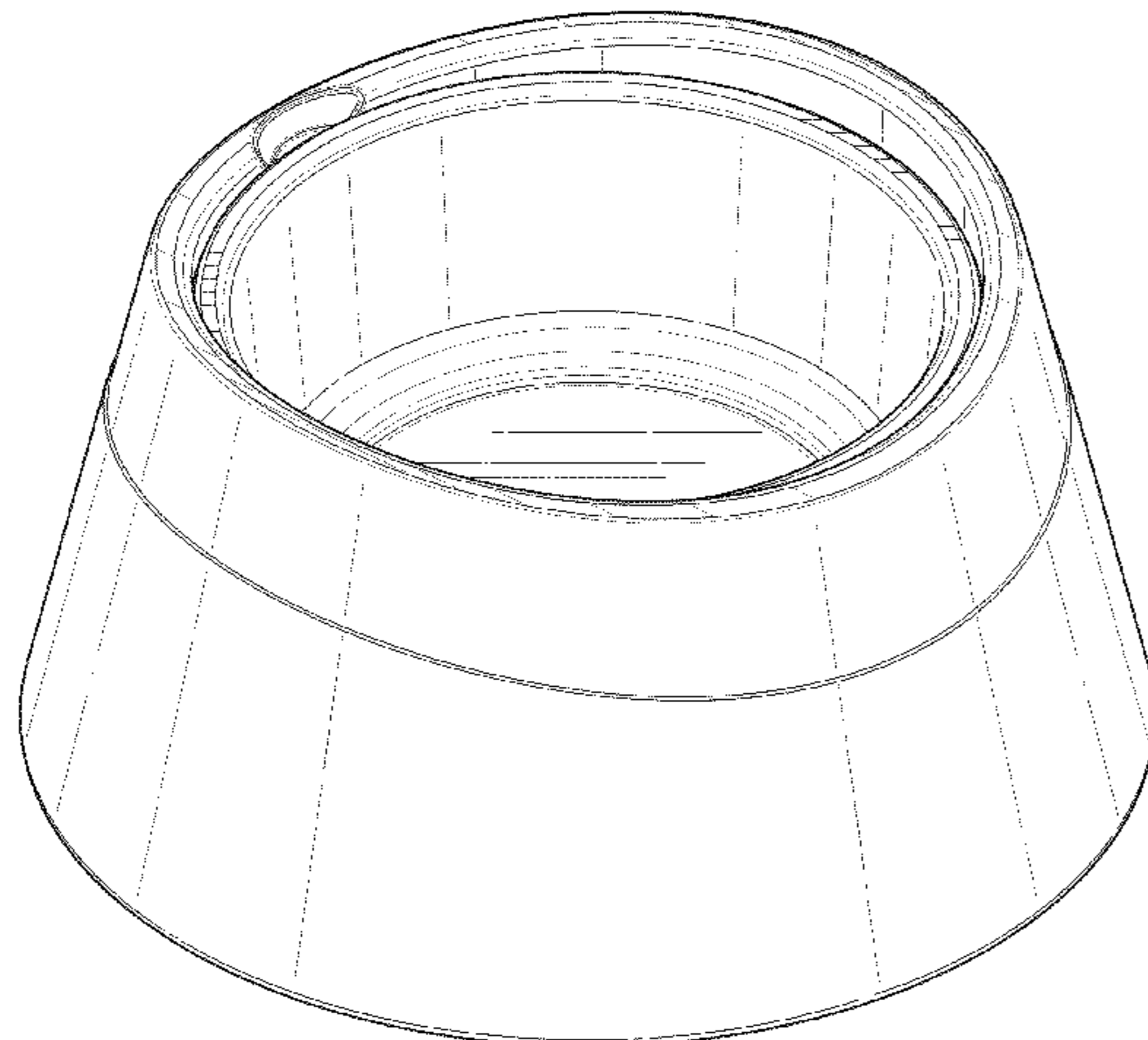
(56) **References Cited**
U.S. PATENT DOCUMENTS

- D186,040 S * 9/1959 Stageberg D7/566
- 2,928,372 A * 3/1960 Farley A01K 5/0114
119/61.54
- 3,498,268 A * 3/1970 Langevin A01K 5/0114
119/61.54
- 3,527,192 A * 9/1970 Ferrara A01K 5/0128
119/61.5
- D287,772 S * 1/1987 Stewart D30/129
- D313,486 S * 1/1991 Conner D30/121
- D313,487 S * 1/1991 Conner D30/129
- 5,857,427 A * 1/1999 Kelley A01K 5/0114
119/61.56

DESCRIPTION

FIG. 1 is a top right corner perspective view of the single pet bowl showing my new design;
FIG. 2 is a bottom left rear corner perspective view thereof;
FIG. 3 is a front elevation view thereof with the rear elevation view being identical;
FIG. 4 is a right side view thereof with the left side view being identical;
FIG. 5 is a top plan view thereof; and,
FIG. 6 is a bottom view thereof.

1 Claim, 6 Drawing Sheets



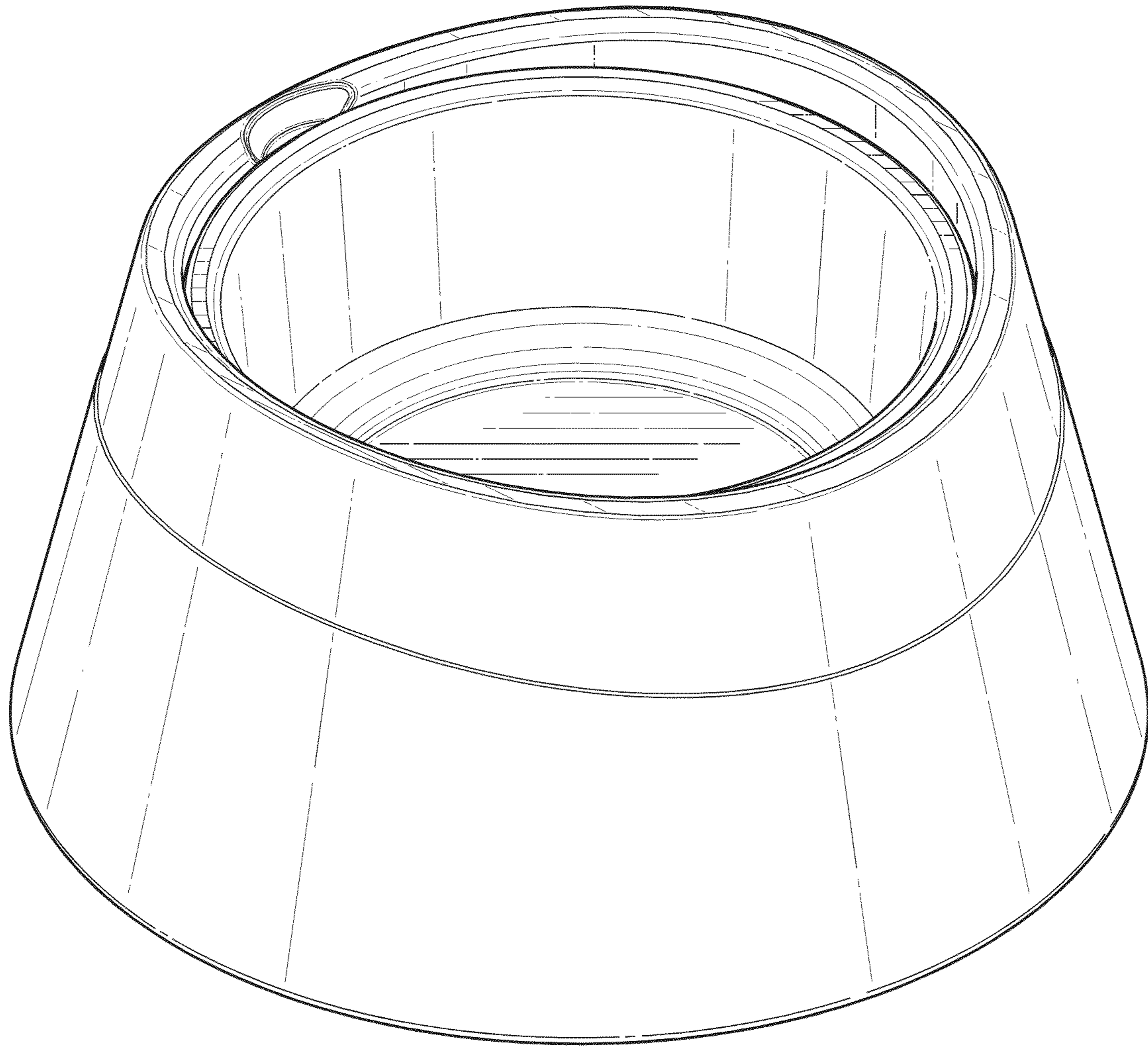


FIG. 1

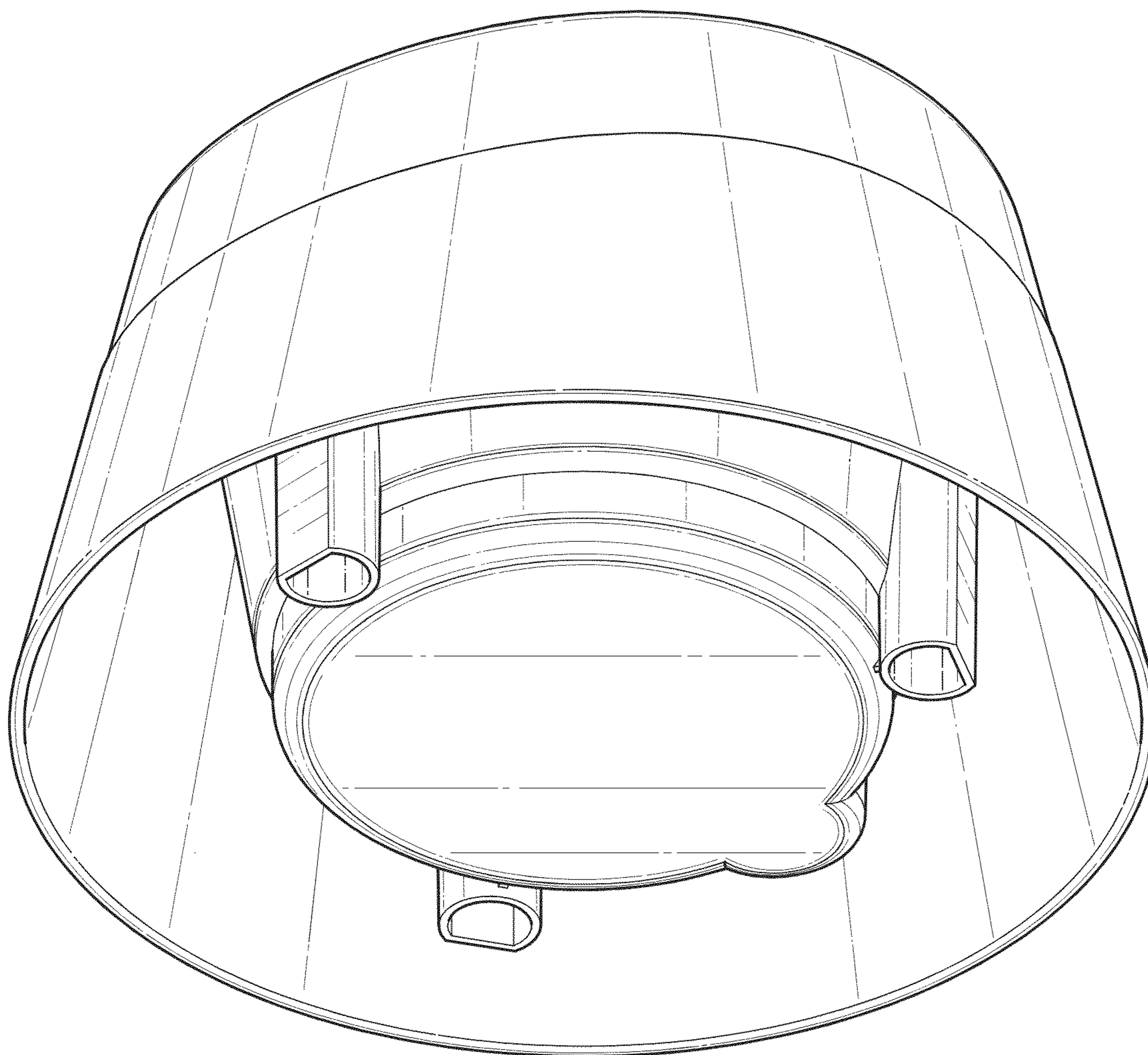


FIG. 2

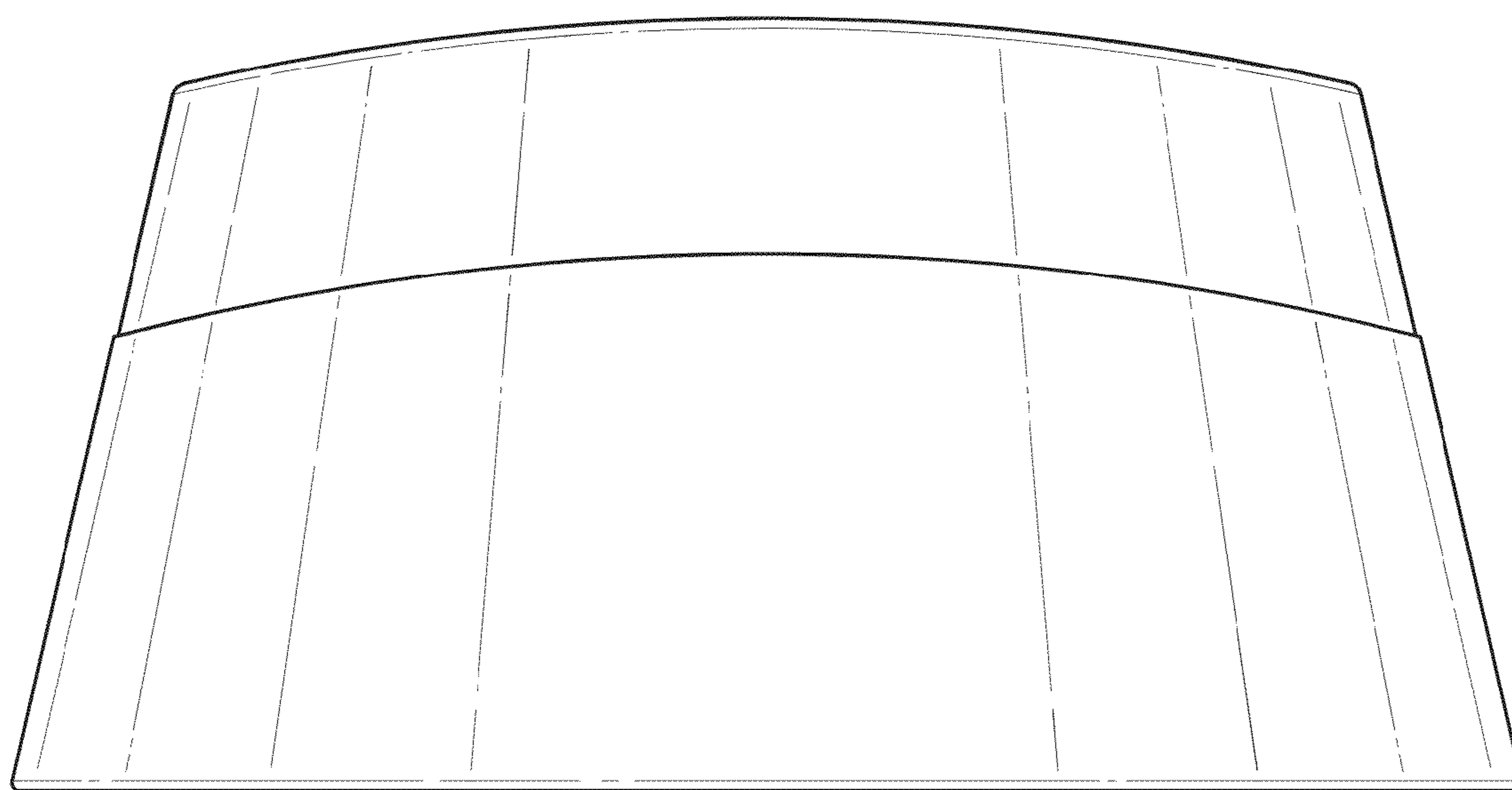


FIG. 3

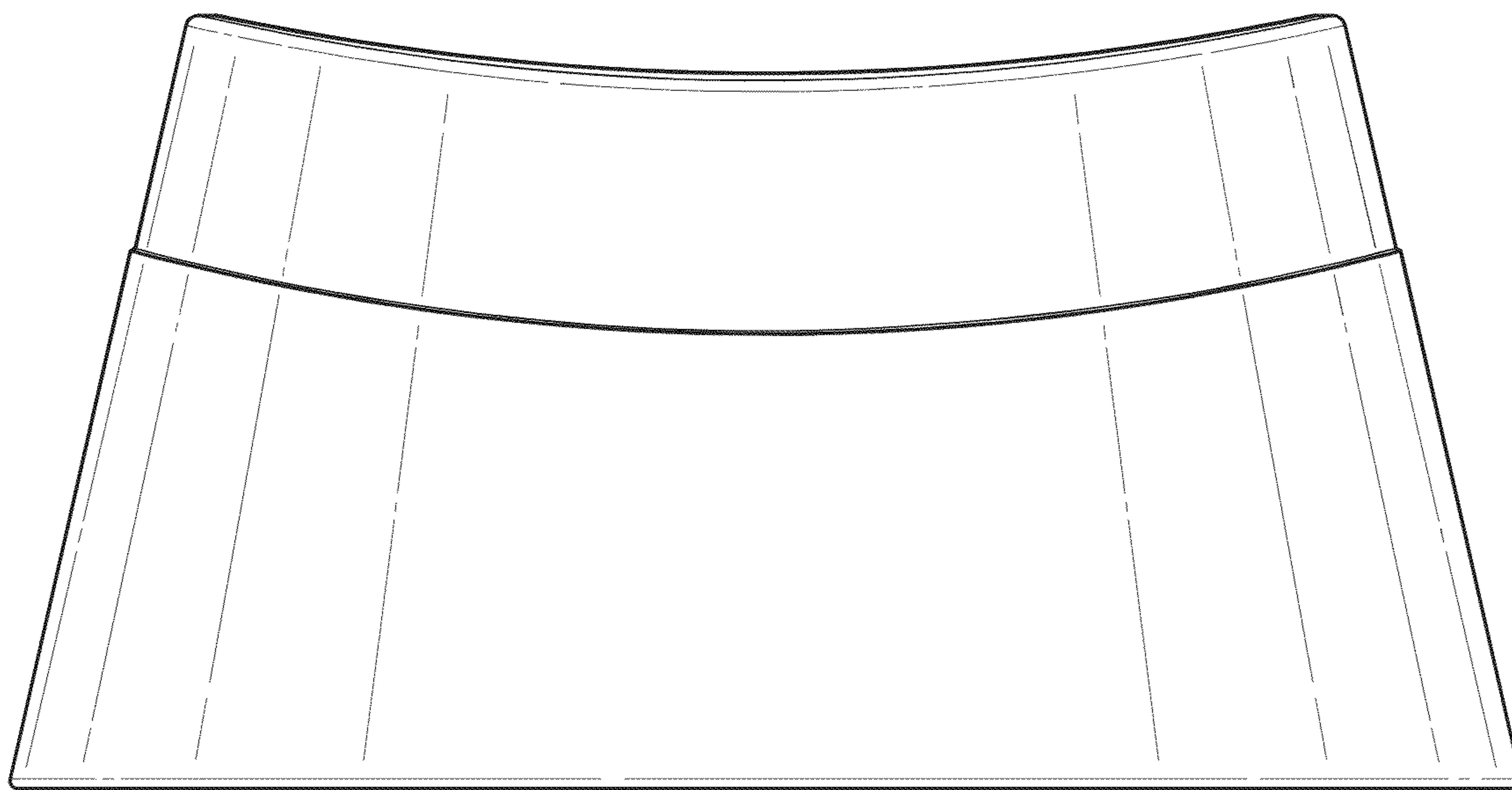


FIG. 4

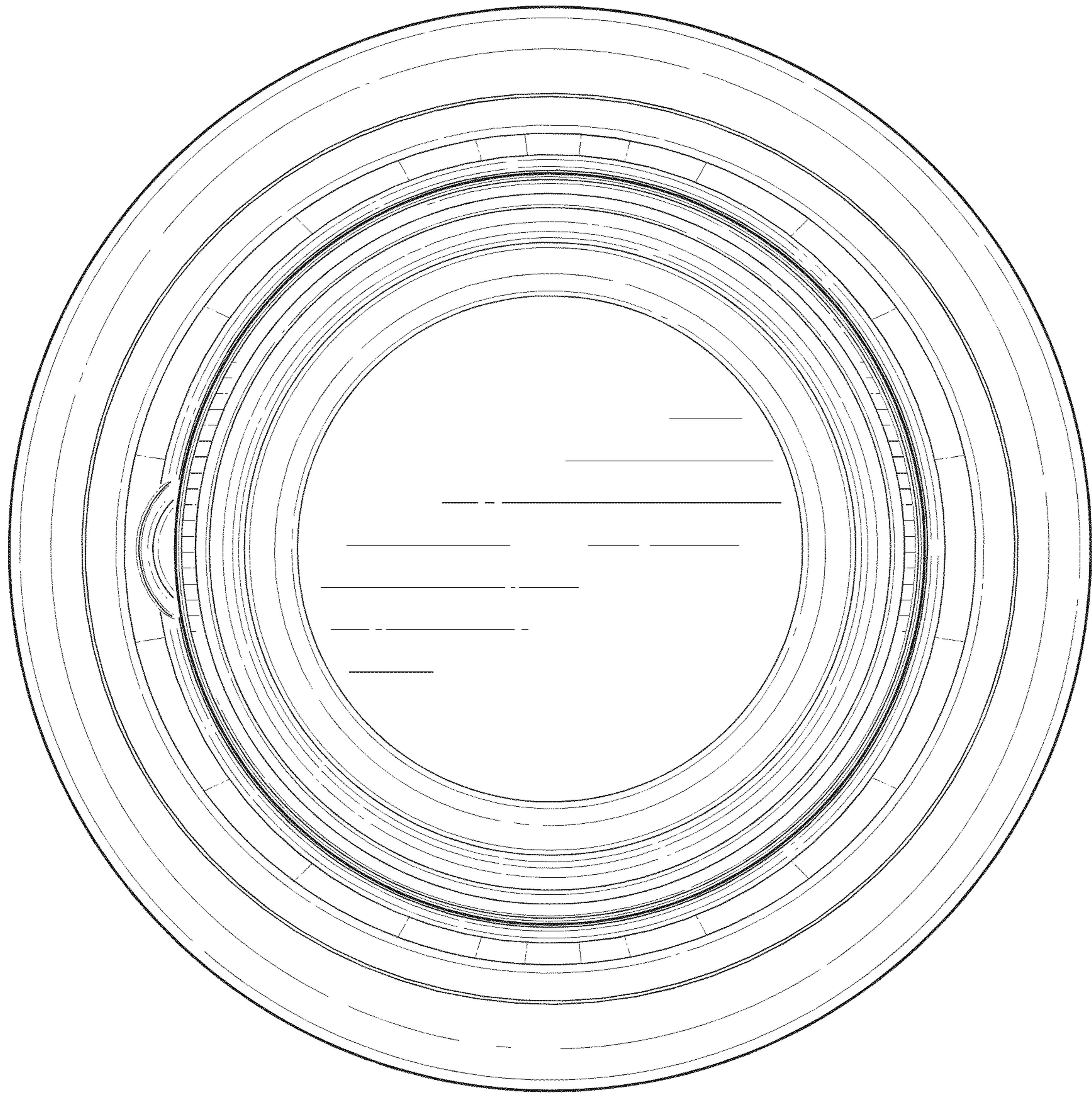


FIG. 5

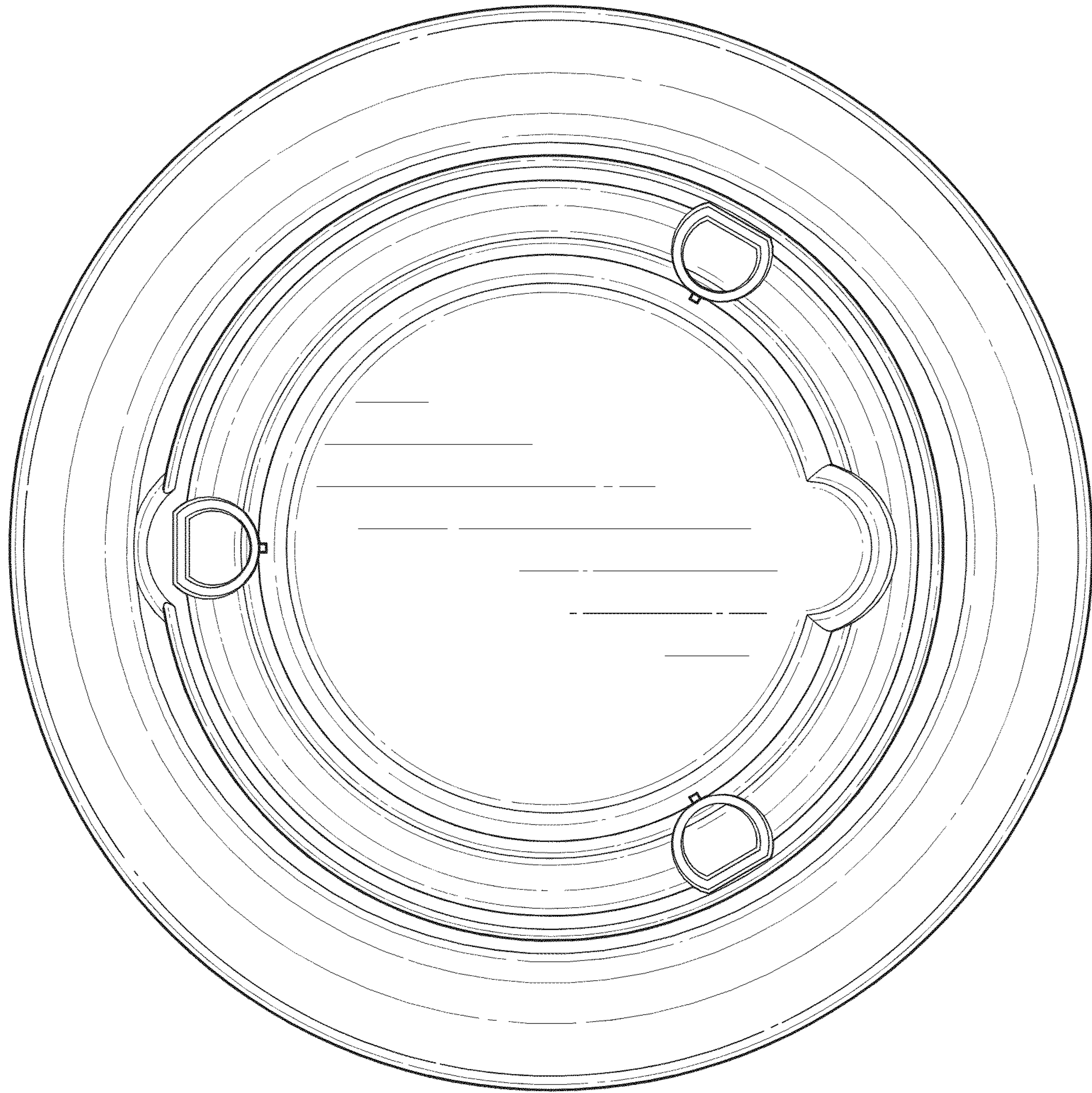


FIG. 6