



US00D757372S

(12) **United States Design Patent**
Clinton

(10) **Patent No.:** **US D757,372 S**
(45) **Date of Patent:** **** May 24, 2016**

(54) **GUARD FOR AN ANIMAL FEEDER**

(71) Applicant: **Leonard R. Clinton**, Hattiesburg, MS
(US)

(72) Inventor: **Leonard R. Clinton**, Hattiesburg, MS
(US)

(**) Term: **14 Years**

(21) Appl. No.: **29/499,975**

(22) Filed: **Aug. 20, 2014**

D25/33; D19/61; D21/506, 507, 835-838;
52/80.1, 81.1-81.4, 82, 232; 264/34,
264/31, 32; 135/94, 87, 124, 115, 117, 100
CPC A01K 5/02; A01K 5/0225; A01K 5/0114;
A01K 5/025; A01K 5/0266; A01K 5/0275;
A01K 5/0283; A01K 5/0291; A01K 5/0258;
A01K 7/00; A01K 1/0035; A01K 1/0107;
A01K 1/0114; A01K 1/0236; A01K 1/0245;
A01K 1/0272; A01K 1/03; A01K 1/033;
A01K 1/034; A01K 1/035; A01K 1/0353;
G01F 11/24; G01F 23/02; B67D 1/0425;
B67D 1/04; B67D 1/00; B67D 1/02; B67D
1/0871; B67D 1/0802; A47J 41/0033; A47J
41/005; A47J 41/0088; A47J 41/0094; A47J
31/04; A47J 31/053; B05B 11/00; B05B
11/0002; B05B 11/0005; B05B 11/001;
C02F 1/003; C02F 1/283; C02F 2307/02
See application file for complete search history.

Related U.S. Application Data

(63) Continuation of application No. 13/565,177, filed on
Aug. 2, 2012, now abandoned.

(51) **LOC (10) Cl.** **30-03**

(52) **U.S. Cl.**
USPC **D30/121; D30/133; D30/199**

(58) **Field of Classification Search**

USPC D30/121, 122, 129-133, 108, 110, 111,
D30/113, 115, 117, 118, 120, 112, 144, 151,
D30/152; 119/61.5, 51.01, 61.56, 51.03, 59,
119/62, 63, 51.5, 57.8, 74, 61.54, 61.55, 53,
119/53.5, 75, 56.2, 51.02, 51.11, 51.12,
119/57.1, 52.1, 515, 429, 457, 484, 489,
119/496, 519, 161, 163, 165, 416-419, 427,
119/428, 433-435, 452, 454, 470, 476, 482,
119/498; 312/204; 248/151, 188; 108/156,
108/153.1-157; 220/23.87, 630, 737, 743,
220/9.4, 495.01, 574, 212, 255, 23.83;
206/515; D7/586, 543, 550.1, 587,
D7/505, 584, 545, 500, 553.1-553.8, 546,
D7/555, 556, 504, 565, 562, 602, 605, 312,
D7/313, 320, 307, 306, 309, 354, 311, 399,
D7/397, 323, 332, 331, 347, 346, 322, 318,
D7/317, 316, 619.1; D9/429; 43/109;
D22/122; 99/430, DIG. 15, 280, 285,
99/312; 222/209, 131, 363, 349, 517,
222/153.13, 401, 1, 146.5, 23, 54, 64, 51,
222/156, 399, 400.8; 219/438, 439, 441,
219/385, 386, 402, 407; 210/94, 184, 474,
210/477; D25/16, 18, 19, 31, 7, 13-15, 17,

(56) **References Cited**

U.S. PATENT DOCUMENTS
104,418 A * 6/1870 Brunson 47/32.5
219,987 A * 9/1879 Scott 47/32.4

(Continued)

OTHER PUBLICATIONS
Pole Mount Squirrel Baffle, Kinsman Company website, 2015, one
page.*

(Continued)

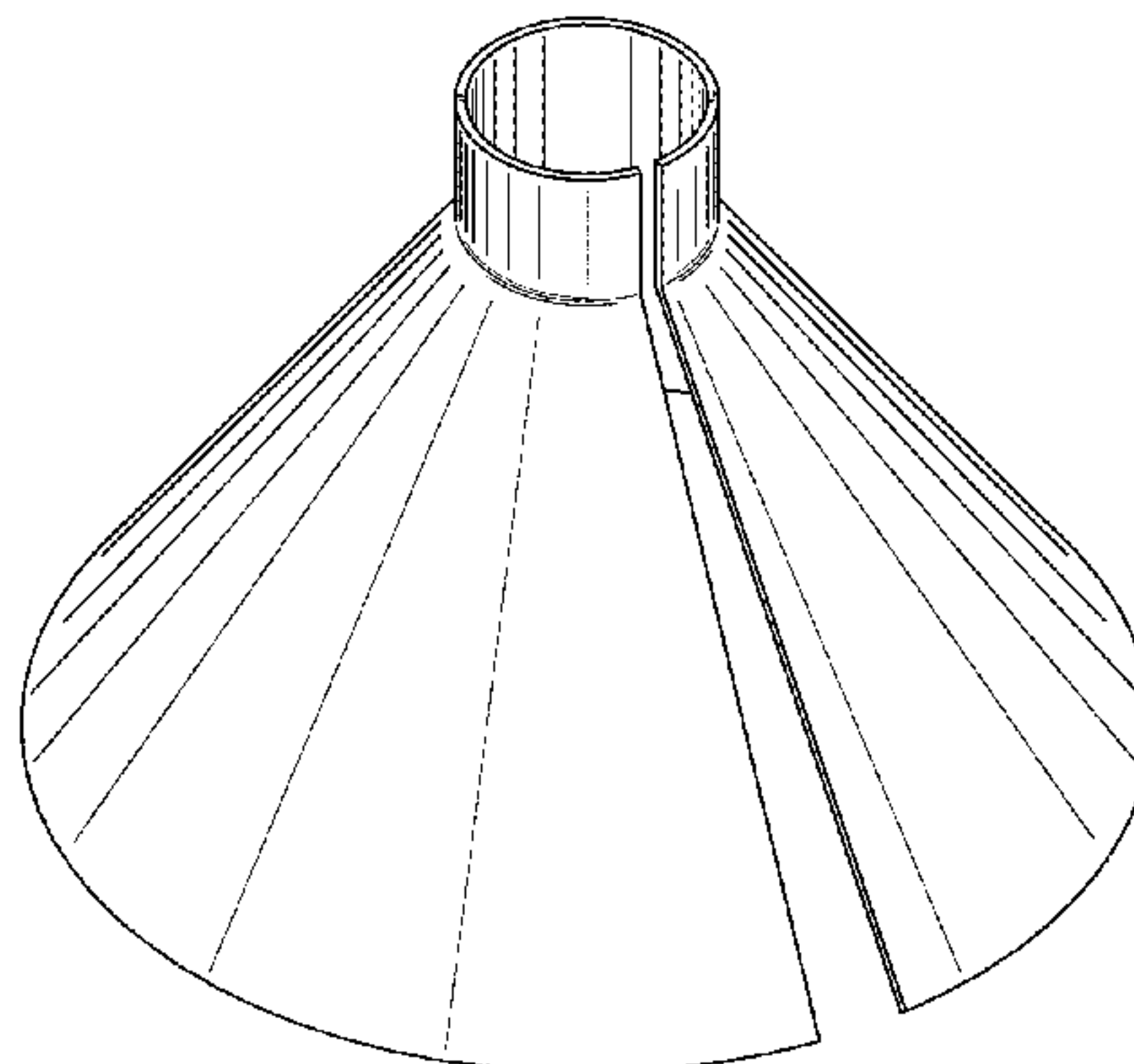
Primary Examiner — Susan Moon Lee
(74) *Attorney, Agent, or Firm* — Robert C. Montgomery;
Montgomery Patent & Design

(57) **CLAIM**
The ornamental design for a guard for an animal feeder, as
shown and described.

DESCRIPTION

FIG. 1 is a perspective front view of a guard for an animal
feeder, showing my new design;
FIG. 2 is a front view thereof;
FIG. 3 is a back view thereof;
FIG. 4 is a right side view with the left side view being a
mirror image thereof;
FIG. 5 is a top side view thereof; and,
FIG. 6 is a bottom side view thereof.

1 Claim, 6 Drawing Sheets



(56)

References Cited

U.S. PATENT DOCUMENTS

- 976,879 A * 11/1910 Hughs 52/297
 1,160,634 A * 11/1915 Maynard 114/221 R
 1,192,487 A * 7/1916 Zok 119/51.01
 1,353,404 A * 9/1920 Libby 47/32.5
 1,401,540 A * 12/1921 Konig 114/221 R
 1,486,417 A * 3/1924 Cheely 114/221 R
 1,532,734 A * 4/1925 Dean 52/170
 1,537,337 A * 5/1925 De Angulo 119/80
 1,641,081 A * 8/1927 Heymann 114/221 R
 D107,761 S * 1/1938 Fair D1/118
 2,213,134 A * 8/1940 Eschert et al. 47/32.5
 2,483,874 A * 10/1949 Bernhard 114/221 R
 2,493,107 A * 1/1950 Bush 114/221 R
 2,525,234 A * 10/1950 Mucke 114/221 R
 2,591,459 A * 4/1952 Meany 119/52.1
 D168,337 S * 12/1952 Cusenbary D30/121
 D174,139 S * 3/1955 Sadler D30/128
 2,891,508 A * 6/1959 Bower 119/52.3
 2,931,336 A * 4/1960 Cather 119/52.3
 2,972,334 A * 2/1961 Braden 119/51.01
 2,978,837 A * 4/1961 Daniels 47/32
 3,036,554 A * 5/1962 Johnson 119/821
 3,051,126 A * 8/1962 Merritt et al. 119/52.4
 3,090,354 A * 5/1963 Merritt et al. 119/52.4
 D200,317 S * 2/1965 Etnyre D30/128
 3,194,203 A * 7/1965 Thornton 114/221 R
 D205,236 S * 7/1966 Ilg D7/700
 3,362,115 A * 1/1968 Nyhus et al.
 D244,786 S * 6/1977 Dryden D30/128
 4,031,856 A * 6/1977 Chester 119/57.9
 4,144,842 A * 3/1979 Schlising 119/52.3
 4,170,252 A * 10/1979 Peterson 141/331
 4,200,057 A * 4/1980 Agar 424/9.8
 4,207,839 A * 6/1980 Barry 119/57.9
 D280,979 S * 10/1985 Groth D11/130
 4,637,164 A * 1/1987 Brown 47/32.5
 4,732,112 A * 3/1988 Fenner et al. 119/52.2
 4,765,277 A * 8/1988 Bailey et al. 119/57.9
 4,767,088 A * 8/1988 Fielder et al. 248/121
 D307,988 S * 5/1990 Newfield D6/674
 4,968,010 A * 11/1990 Odobasic 267/162
 4,986,219 A * 1/1991 Harris 119/57.8
 5,003,734 A * 4/1991 Dinsmore
 5,086,730 A * 2/1992 Figley 119/52.3
 5,195,460 A * 3/1993 Loken 119/57.9
 D336,556 S * 6/1993 Payne et al. D30/133
 5,293,835 A * 3/1994 Shagoury 119/57.9
 D349,981 S * 8/1994 Fasino D30/127
 5,347,769 A * 9/1994 Dinsmore 52/101
 D351,262 S * 10/1994 Fasino D30/127
 5,355,835 A * 10/1994 Freed 119/57.9
 5,392,732 A * 2/1995 Fry 119/57.9
 D360,495 S * 7/1995 Sanderson D30/123
 D360,496 S * 7/1995 Norman D30/124
 5,570,652 A * 11/1996 Ferland 114/221 R
 5,593,743 A * 1/1997 Baker 428/18
 5,642,687 A * 7/1997 Nysten et al. 119/52.3
 5,826,542 A * 10/1998 Allen et al. 119/57.9
 5,829,383 A * 11/1998 Blanding 119/52.3
 5,834,686 A * 11/1998 Barrett et al. 174/5 R
 5,850,797 A * 12/1998 Hunicke 119/61.53
 5,878,537 A * 3/1999 Flischel
 D409,339 S * 5/1999 Silano et al. D30/124
 5,921,296 A * 7/1999 Porter et al. 141/340
 D428,537 S * 7/2000 Miller D30/124
 D429,852 S * 8/2000 Hogarty D30/128
 6,098,348 A * 8/2000 Weaver 52/101
 D436,166 S * 1/2001 Berkey D24/122
 D436,929 S * 1/2001 Kane et al. D13/156
 D441,922 S * 5/2001 Nysten D30/124
 6,318,290 B1 * 11/2001 Fisher 119/51.5
 6,363,891 B1 * 4/2002 Marshall 119/719
 6,378,459 B1 * 4/2002 Potente
 6,401,658 B1 * 6/2002 Teets 119/57.9
 6,425,424 B1 * 7/2002 Ellis Calvo et al. 141/331
 D475,817 S * 6/2003 Heyek D30/199
 6,591,781 B2 * 7/2003 Hardison
 D480,515 S * 10/2003 Heyek D30/124
 7,309,837 B1 * 12/2007 Rauckman 174/138 F
 7,353,774 B2 * 4/2008 Bradeen 119/57.9
 D575,462 S * 8/2008 Cienfuegos D30/124
 D577,965 S * 10/2008 Blair D7/700
 D623,805 S * 9/2010 Vosbikian D30/127
 D638,588 S * 5/2011 Vosbikian D30/127
 D642,949 S * 8/2011 Chung D10/105
 D652,175 S * 1/2012 Schatz D30/124
 8,104,430 B1 * 1/2012 Powell, Jr. 119/57.9
 8,141,682 B2 * 3/2012 White 182/106
 D692,191 S * 10/2013 Stephens et al. D30/127
 8,714,453 B2 * 5/2014 Powell et al. 235/462.14
 D719,414 S * 12/2014 Hester D7/700
 D730,226 S * 5/2015 Chung D10/105
 2004/0261726 A1 * 12/2004 Lumpkin 119/57.9
 2005/0132966 A1 * 6/2005 Hartsell 119/52.1
 2008/0202435 A1 * 8/2008 Nowacek 119/51.01
 2008/0302304 A1 * 12/2008 Mayfield 119/51.01
 2010/0258054 A1 * 10/2010 Frazier 119/52.2

OTHER PUBLICATIONS

- Pole Squirrel Baffle, Backyard Wild Birds website, 2015, one page.*
 Pole Mount Oriole Weather Hat, Fiddlecreekfarms website, 2015, one page.*
 18" Squirrel Baffle, Stokes Select website, 2015, one page.*
 Economical 17" Cone Squirrel Baffle Galvanized, Duncraft Website, 2015, one page.*
 Squirrel Guard Pole Mounted Cone, RSPB website, 2015, one page.*

* cited by examiner

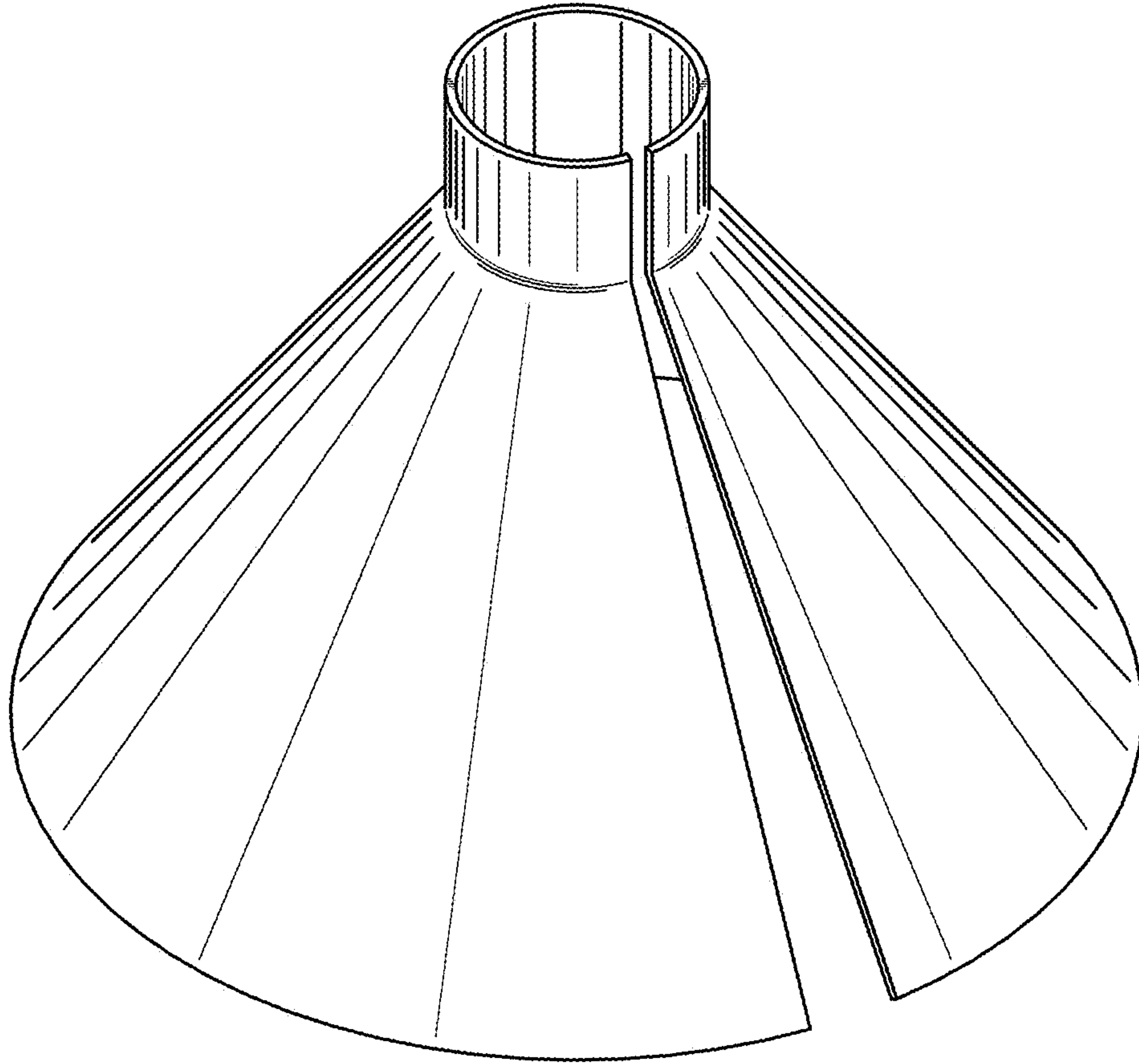


Fig. 1

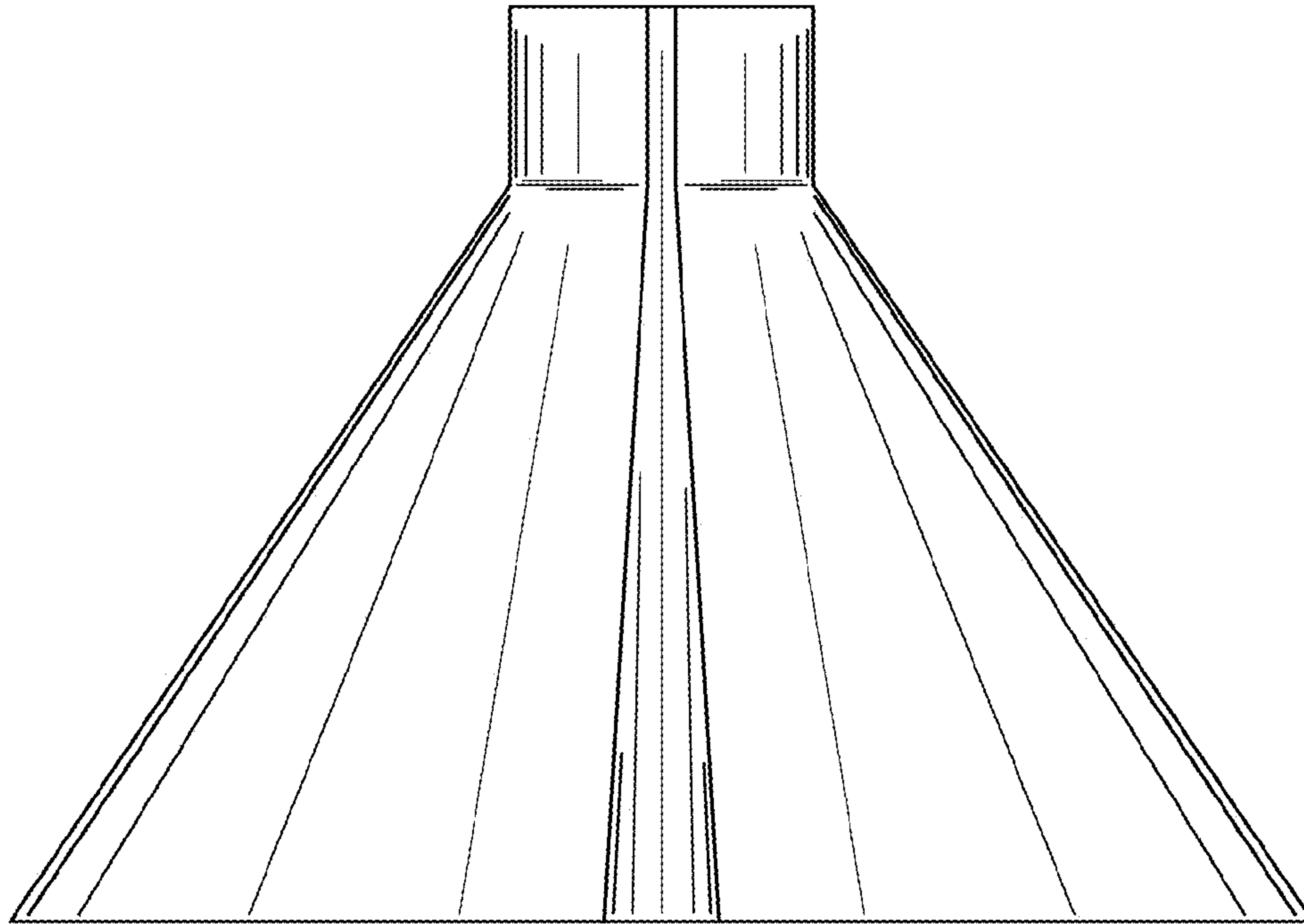


Fig. 2

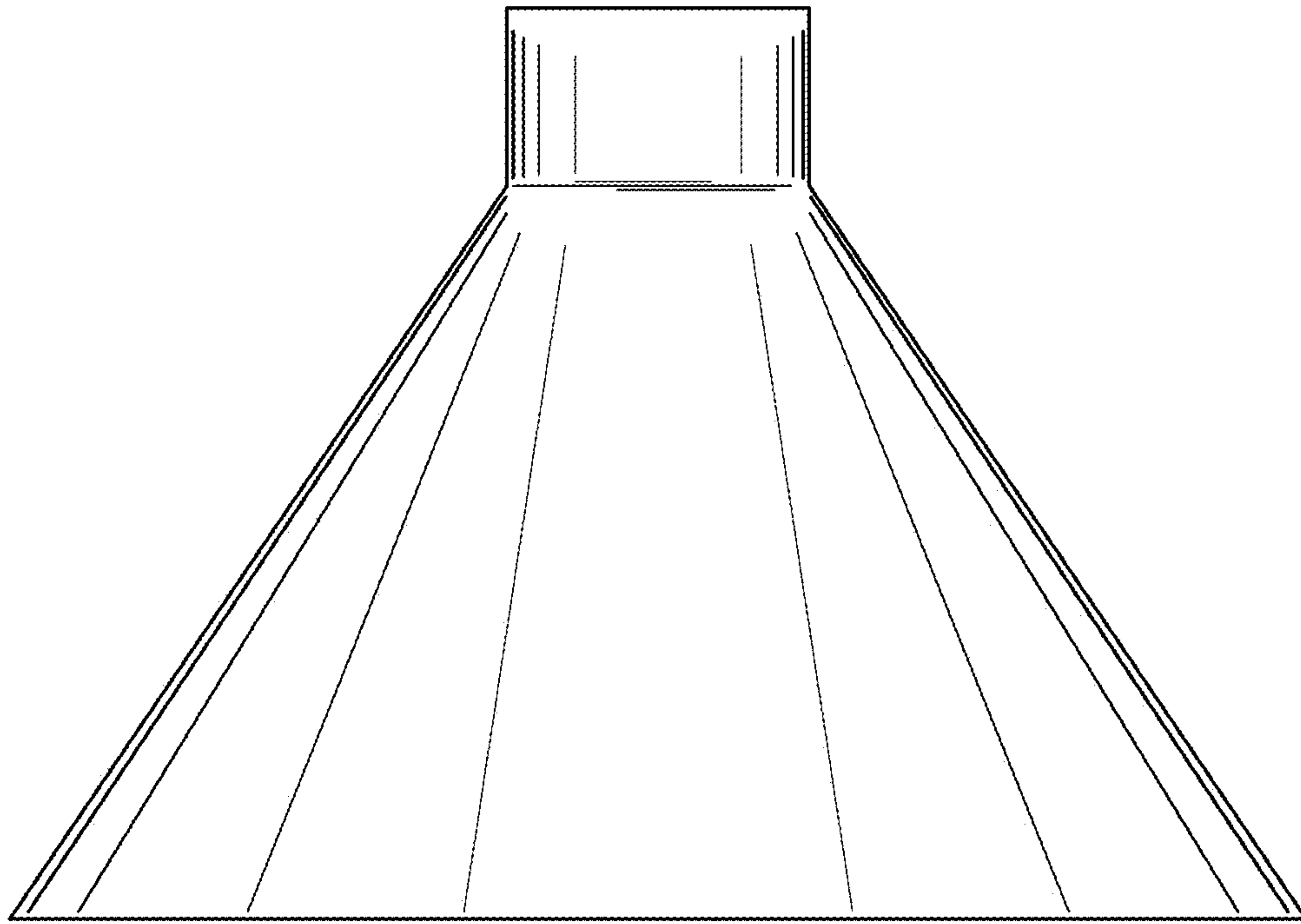


Fig. 3

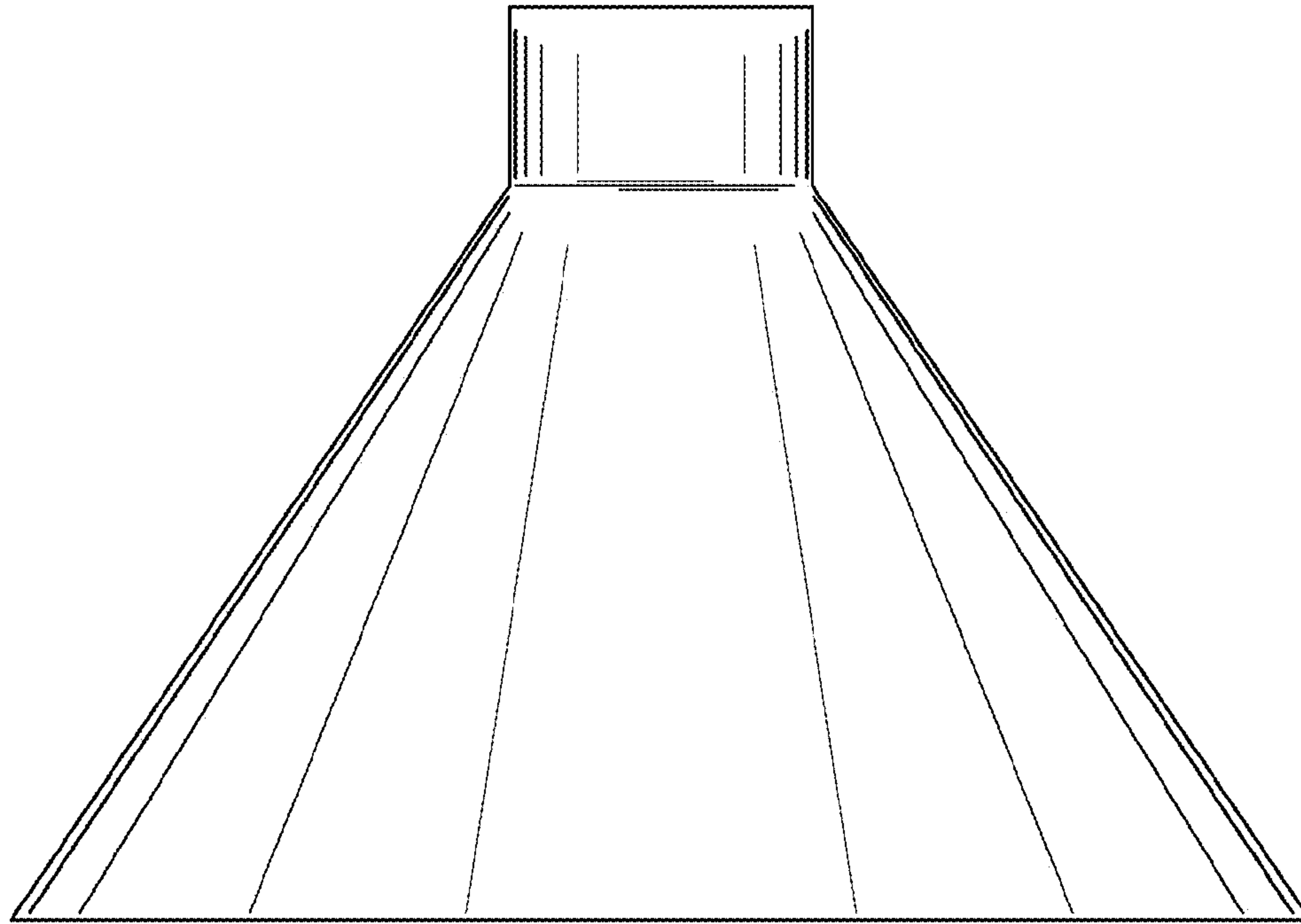


Fig. 4

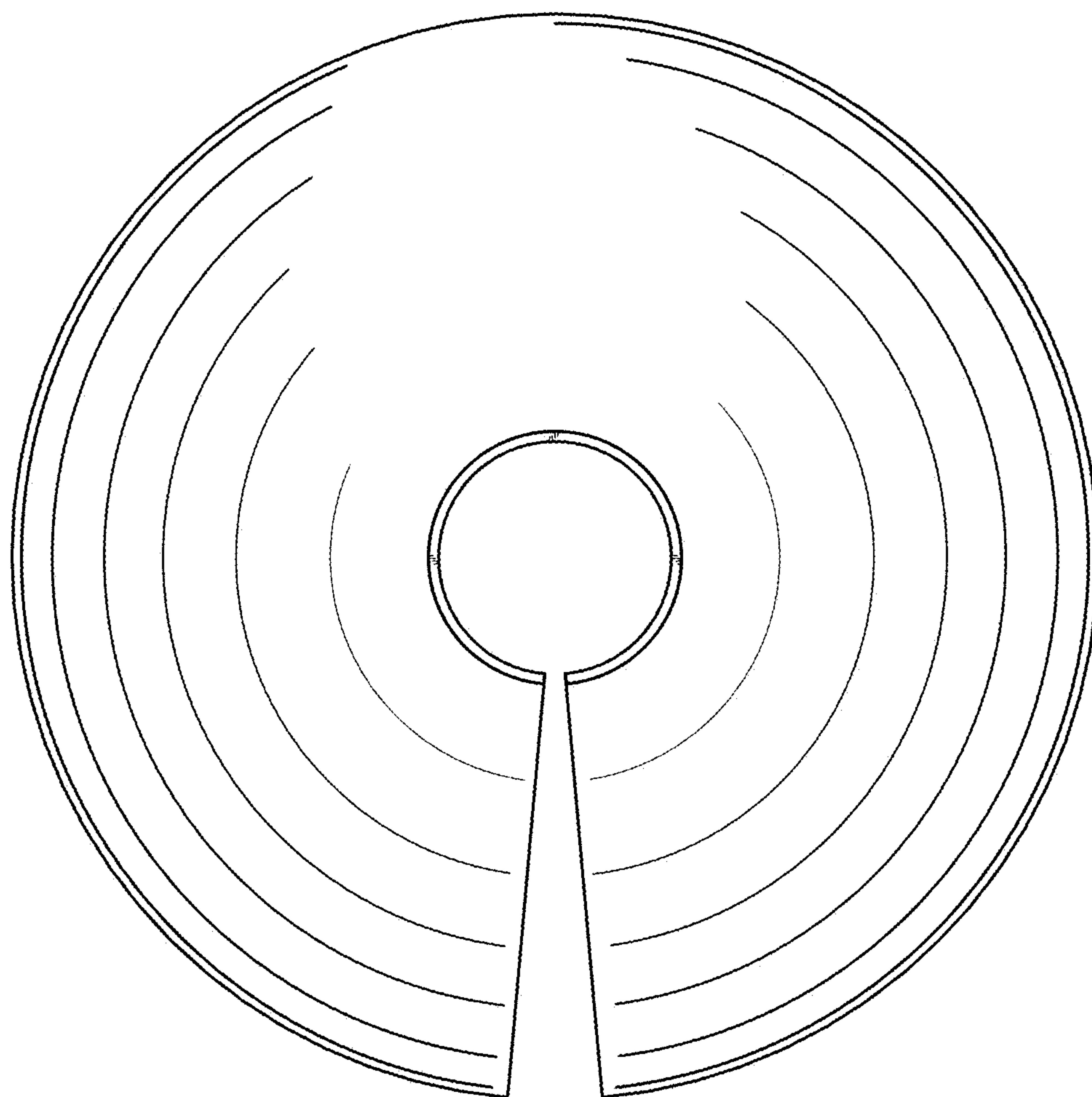


Fig. 5

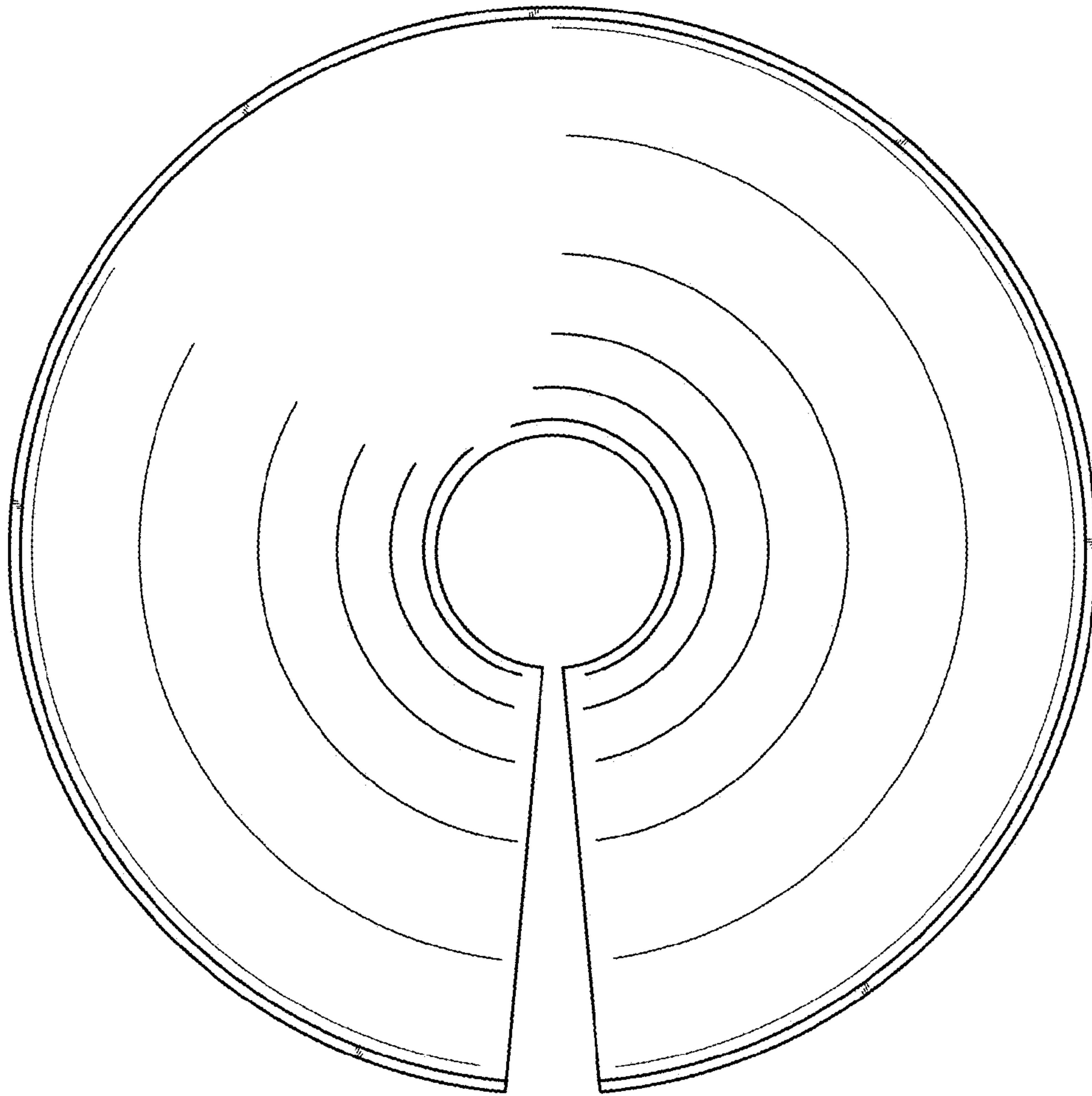


Fig. 6