

US00D757371S

(12) **United States Design Patent**  
**VanBuuren et al.**

(10) **Patent No.:** **US D757,371 S**  
(45) **Date of Patent:** **\*\* May 24, 2016**

(54) **ANIMAL HOUSING UNIT**

(71) Applicants: **Darren VanBuuren**, Grassie (CA);  
**Marc Jean-Luc Beaudry**, Boucherville (CA)

(72) Inventors: **Darren VanBuuren**, Grassie (CA);  
**Marc Jean-Luc Beaudry**, Boucherville (CA)

(73) Assignee: **POLY DOME ONTARIO INC.**,  
Grassie, Ontario (CA)

(\*\*) Term: **14 Years**

(21) Appl. No.: **29/492,936**

(22) Filed: **Jun. 4, 2014**

(51) **LOC (10) Cl.** ..... **30-02**

(52) **U.S. Cl.**  
USPC ..... **D30/113**

(58) **Field of Classification Search**

USPC ..... D30/108–109, 112–117, 119;  
119/428–429, 430–436, 445, 452–453,  
119/455, 459, 467, 472, 474–475, 481–482,  
119/484, 496–503, 512  
CPC ..... A01K 1/00; A01K 1/01; A01K 1/02;  
A01K 1/03; A01K 31/00; A01K 31/06;  
A01K 31/07; A01K 31/08; A01K 31/14;  
A01K 31/18; A01K 5/00; A01K 29/00;  
A47K 11/02; E04H 1/02

See application file for complete search history.

(56) **References Cited**

U.S. PATENT DOCUMENTS

363,367 A	5/1887	Crompton	
D240,051 S *	5/1976	Mayfield .....	D30/113
D267,904 S *	2/1983	Hampel .....	D30/108
D343,481 S *	1/1994	Hampel .....	D30/108
D450,890 S	11/2001	Van Buuren	
D651,766 S	1/2012	Van Buuren	
D652,995 S	1/2012	VanBuuren et al.	
2008/0011239 A1	1/2008	Byers	

\* cited by examiner

*Primary Examiner* — Cathy Ann MacCormac

(74) *Attorney, Agent, or Firm* — Jordan and Hamburg LLP

(57) **CLAIM**

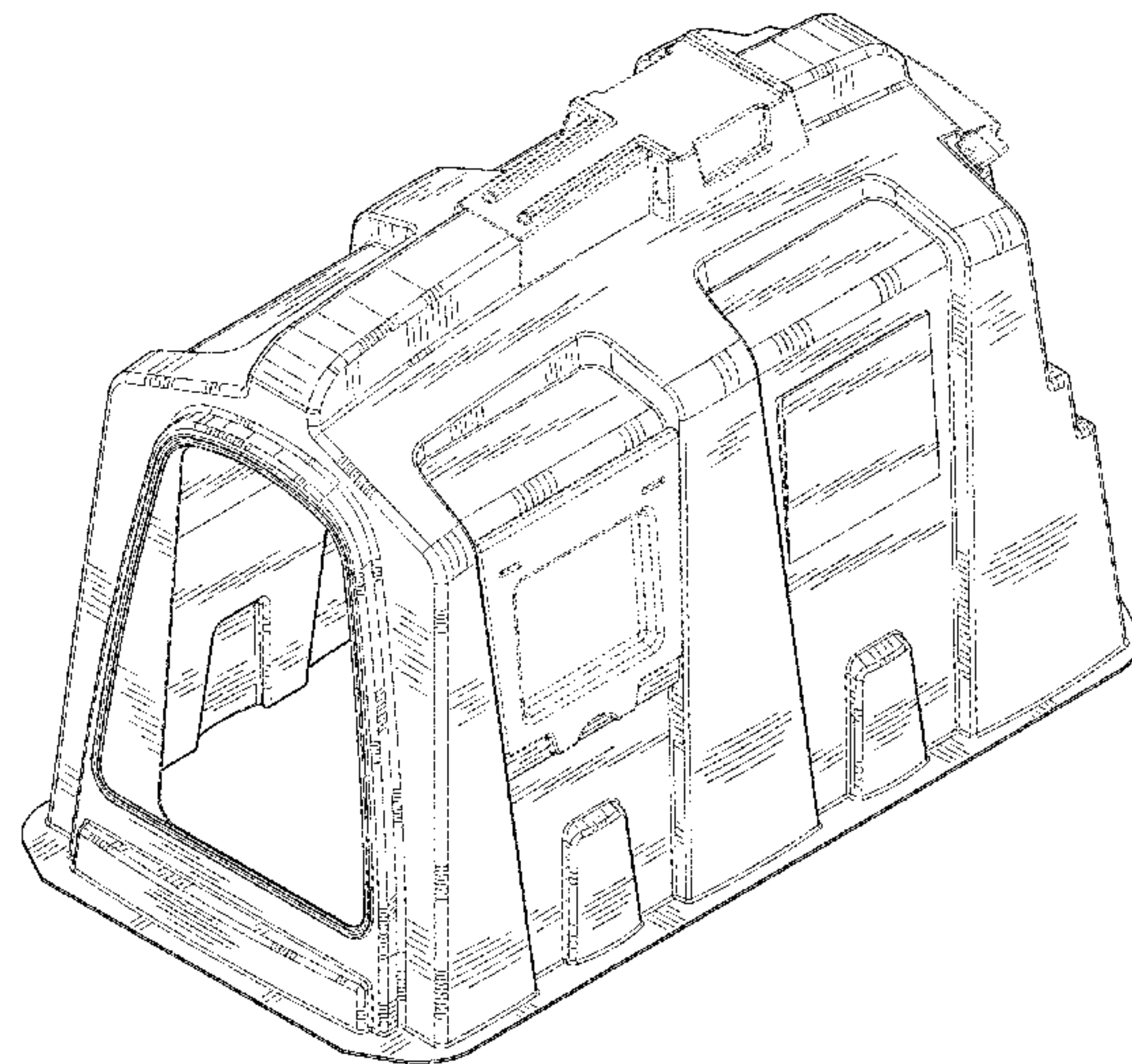
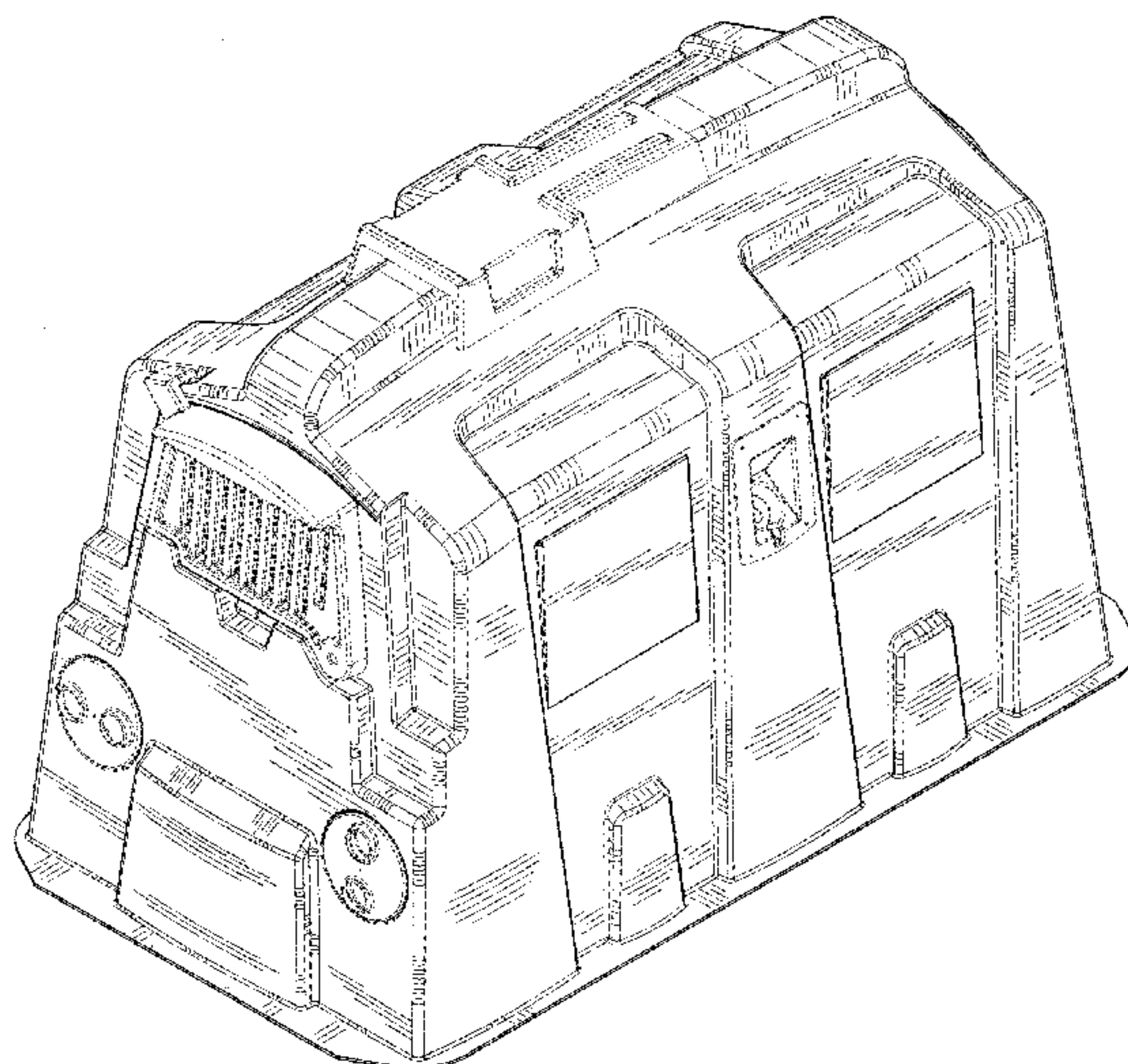
The ornamental design for an animal housing unit, as shown and described.

**DESCRIPTION**

FIG. 1 is a top front perspective view showing our new design; FIG. 2 is a top rear perspective view thereof; FIG. 3 is a left side elevation view thereof; FIG. 4 is a front elevation view thereof; FIG. 5 is a right side elevation view thereof; FIG. 6 is a rear elevation view thereof; and, FIG. 7 is a top plan view thereof.

The broken lines depict environmental subject matter, are for illustration only and form no part of the claimed design.

**1 Claim, 7 Drawing Sheets**





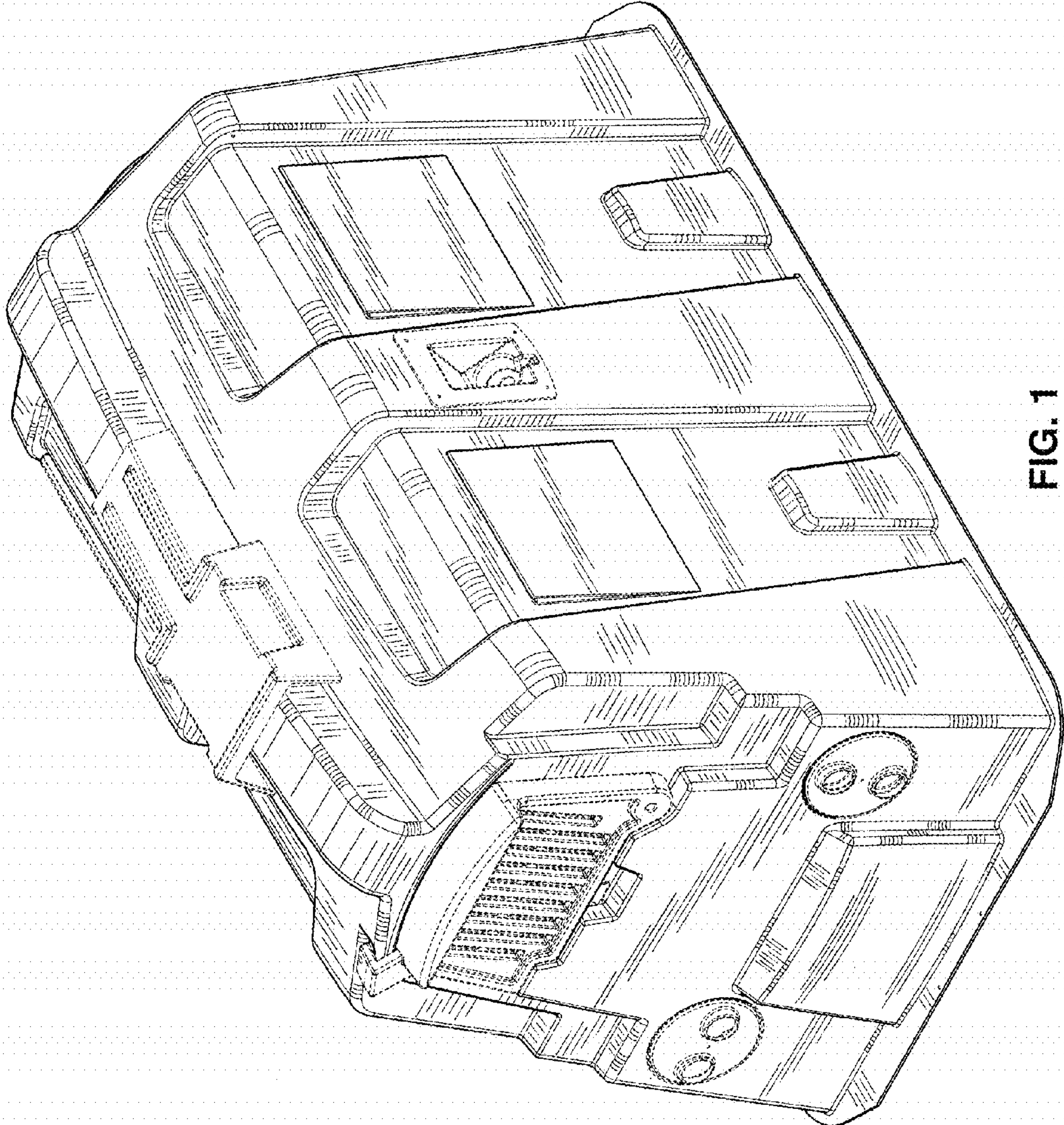


FIG. 1

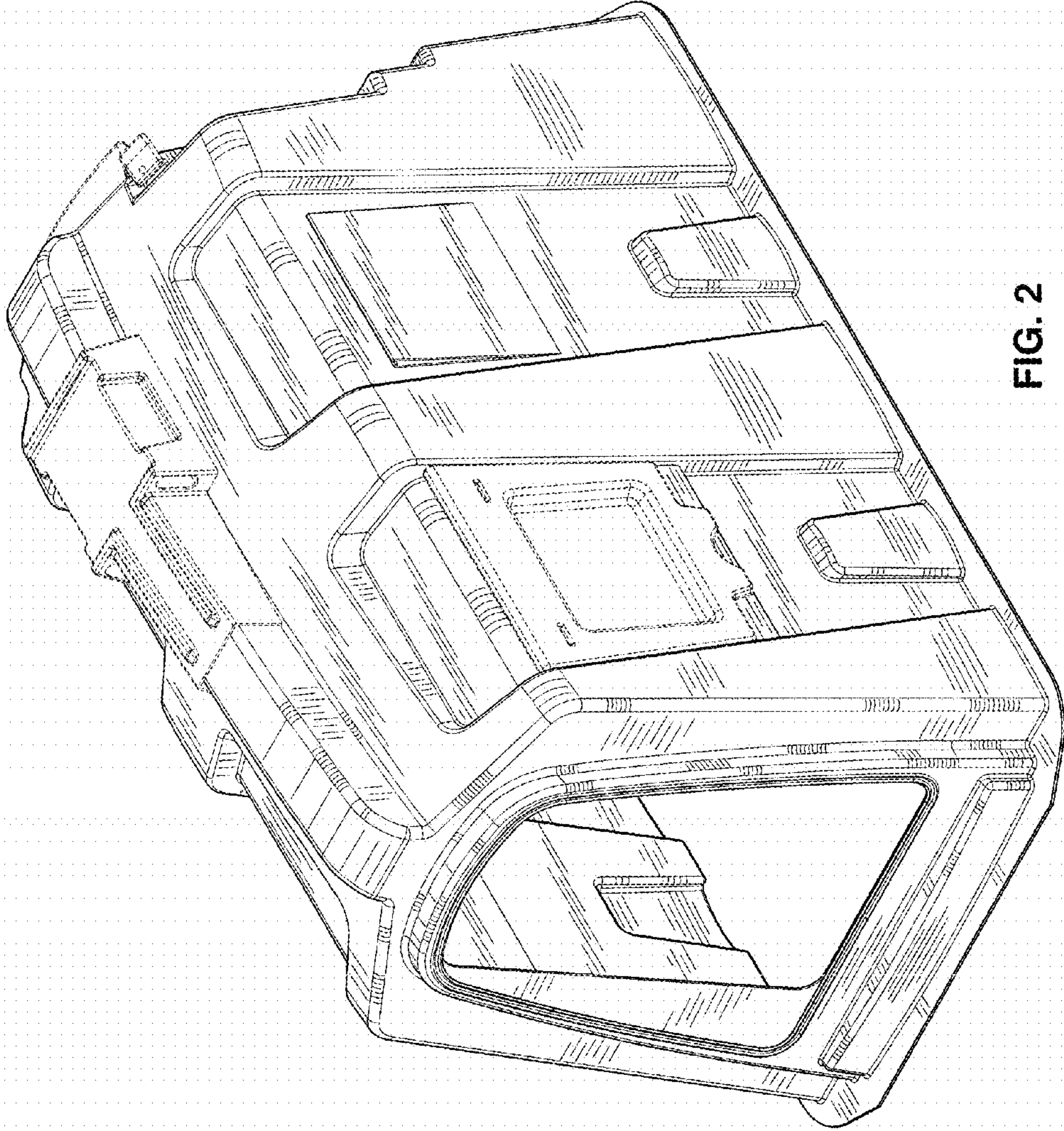


FIG. 2



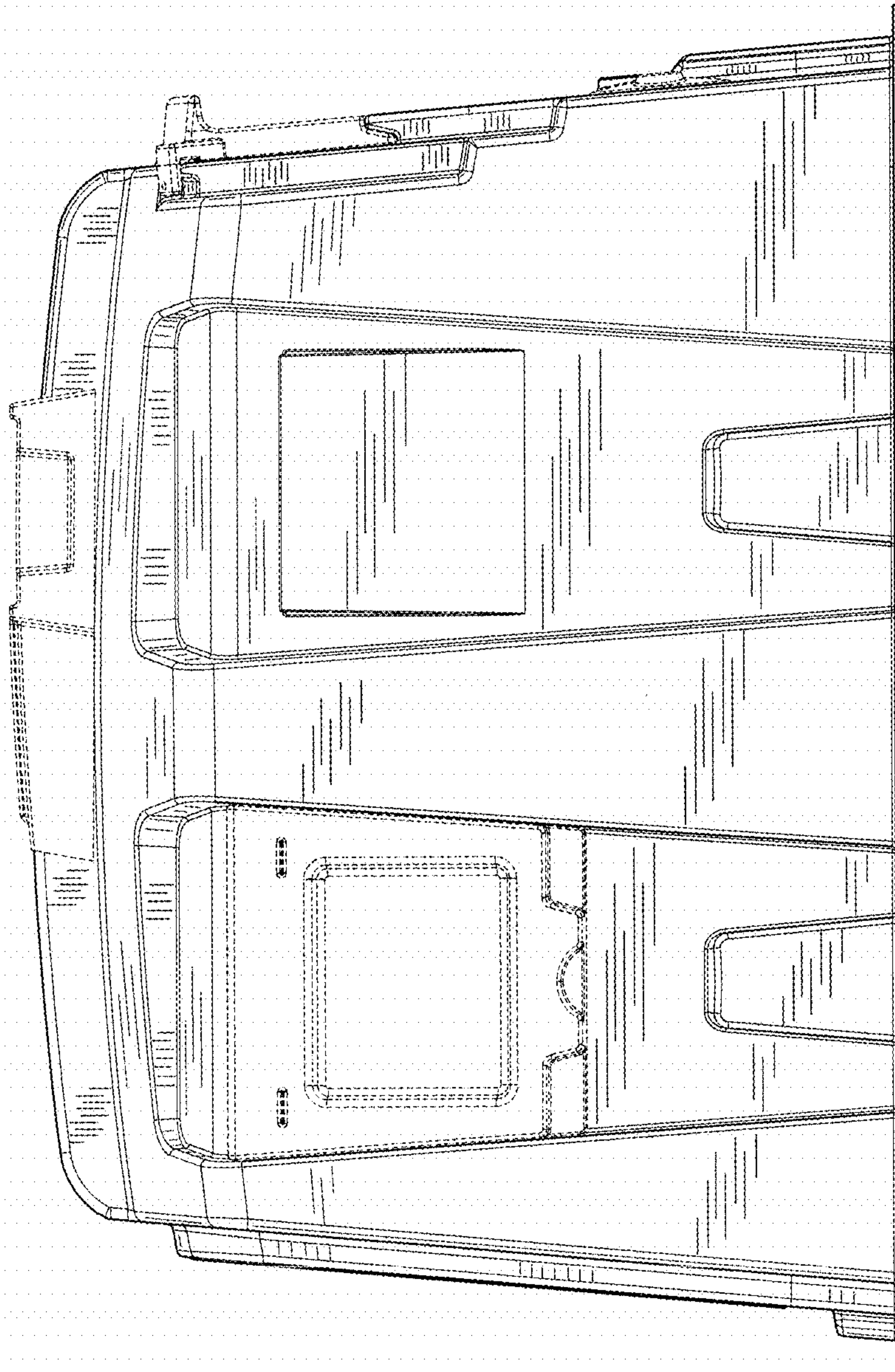


FIG. 3

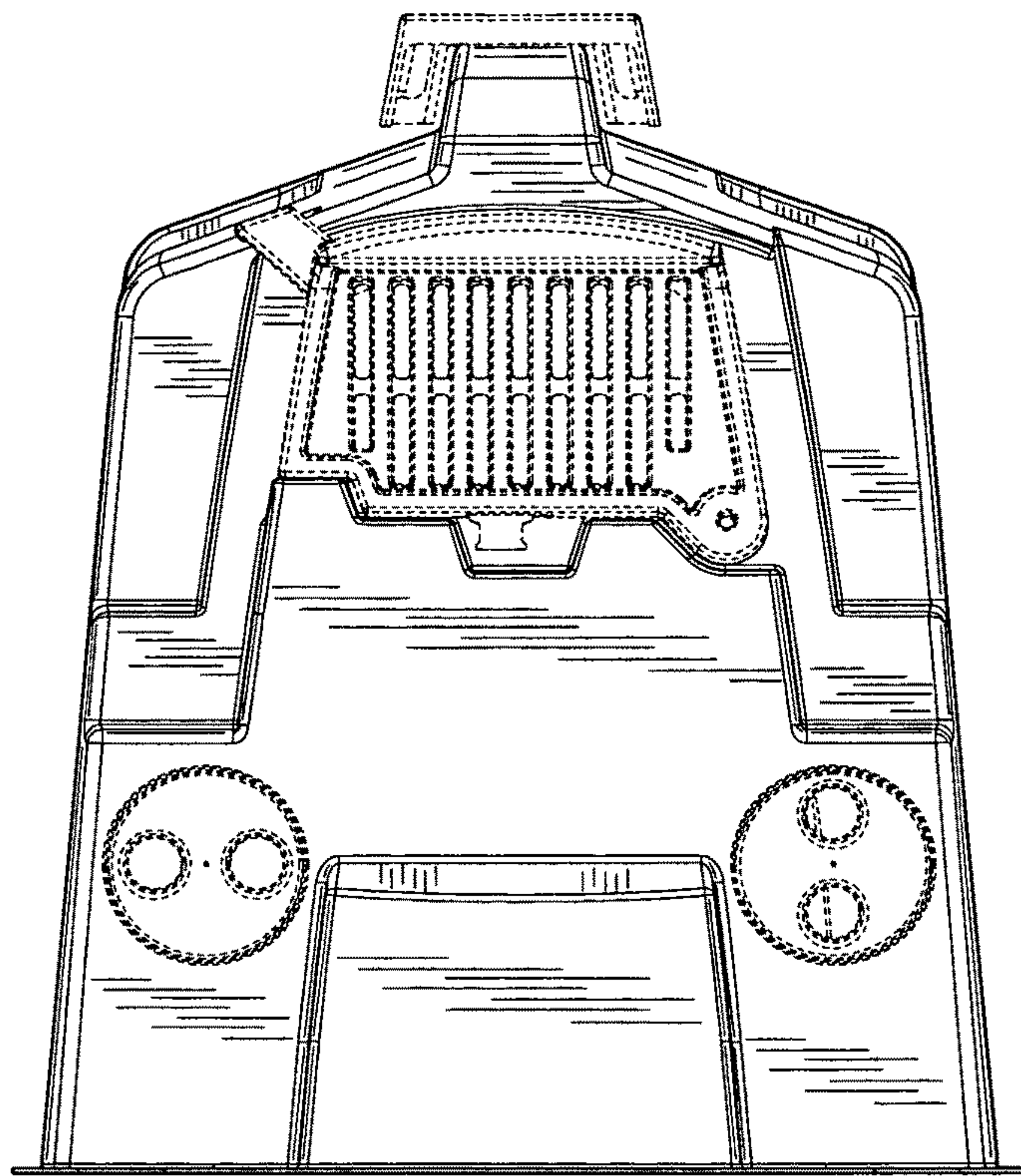


FIG. 4

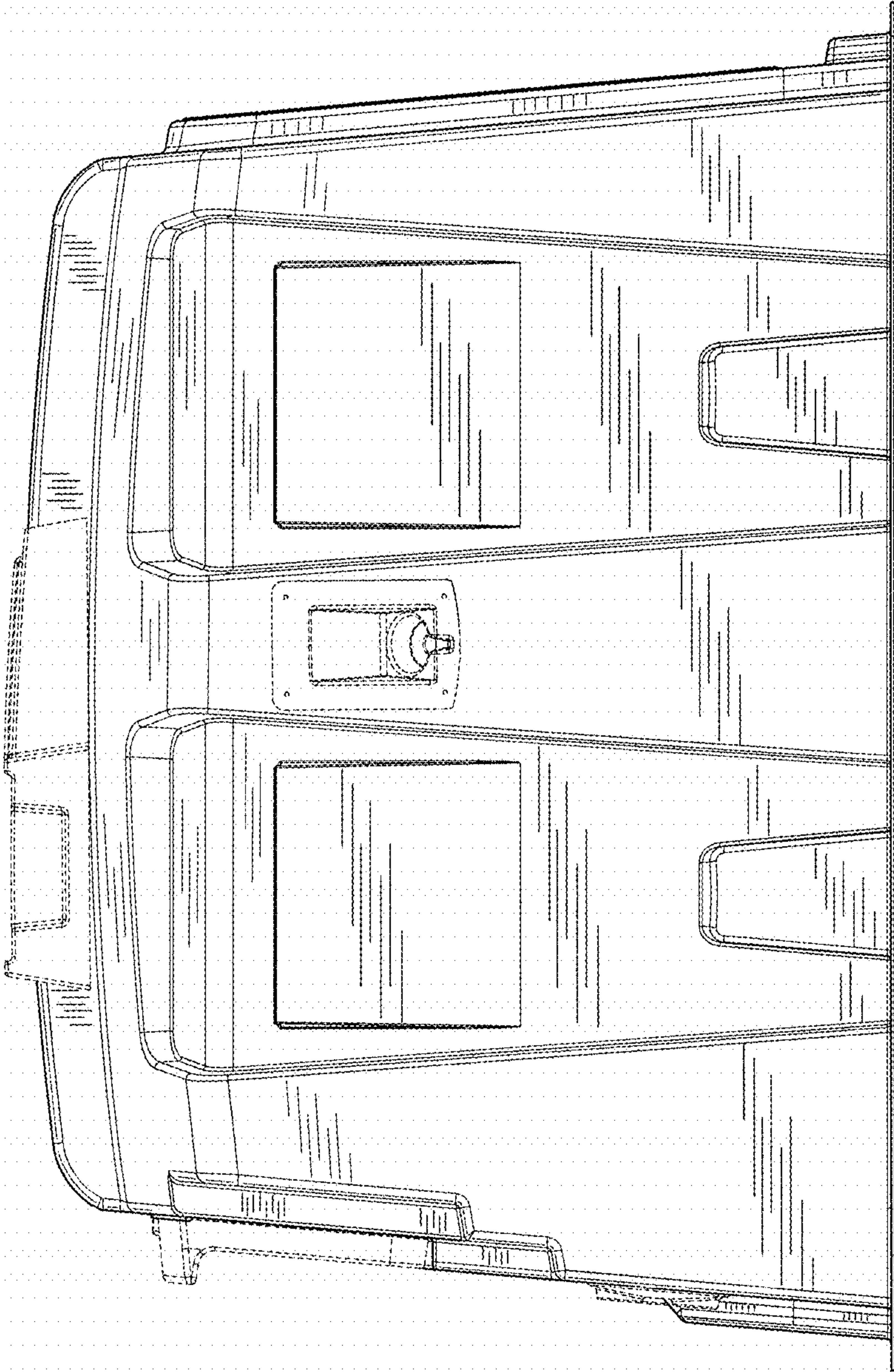


FIG. 5



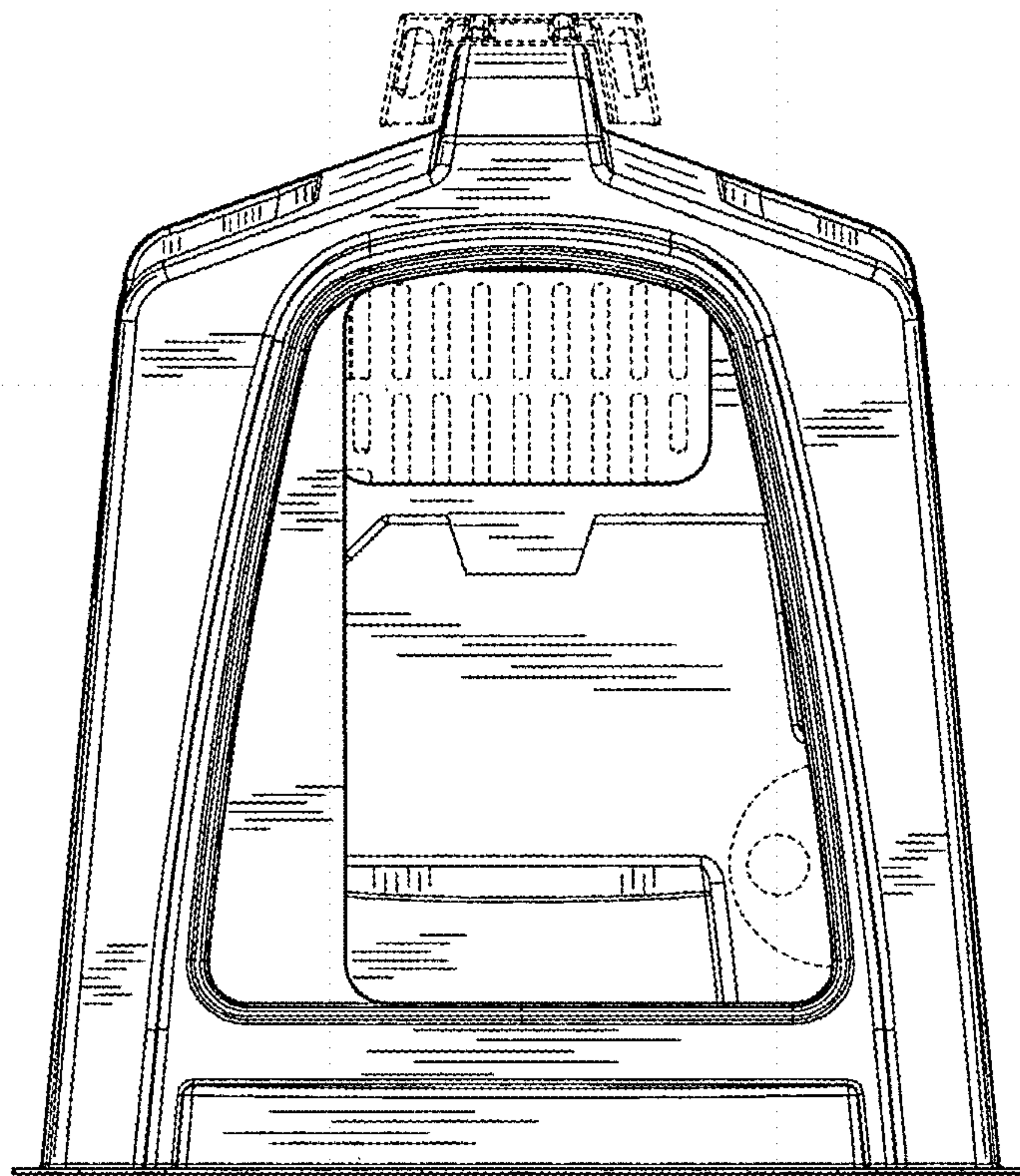


FIG. 6

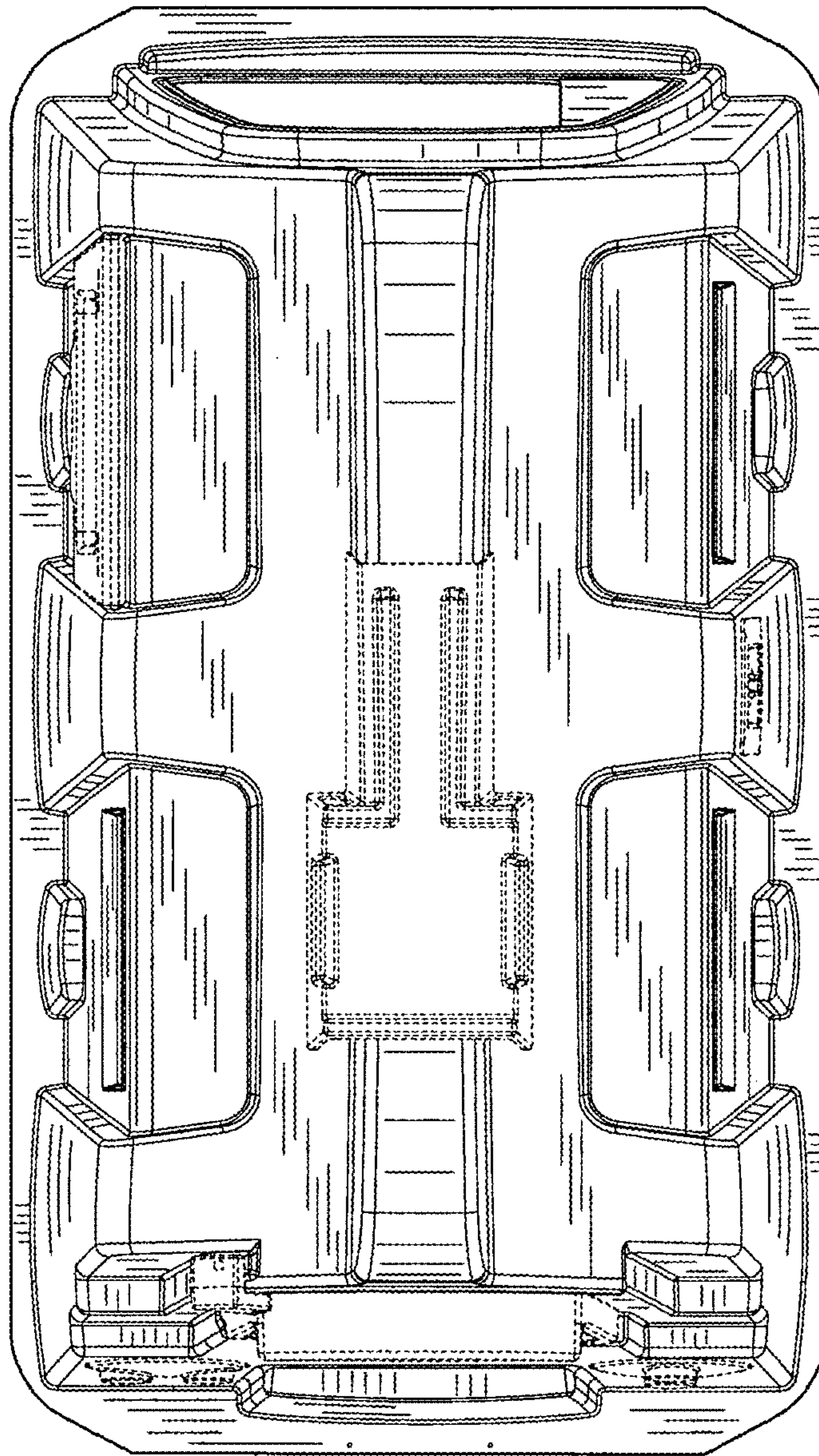


FIG. 7