

US00D757368S

(12) **United States Design Patent**
Paulson

(10) **Patent No.:** **US D757,368 S**
(45) **Date of Patent:** **** May 24, 2016**

- (54) **CHIN PROTECTOR FOR A PROTECTIVE FACE SHIELD**
- (71) Applicant: **PAULSON MANUFACTURING CORPORATION**, Temecula, CA (US)
- (72) Inventor: **Roy Paulson**, Murietta, CA (US)
- (73) Assignee: **PAULSON MANUFACTURING CORPORATION**, Temecula, CA (US)
- (**) Term: **14 Years**
- (21) Appl. No.: **29/508,926**
- (22) Filed: **Nov. 12, 2014**
- (51) **LOC (10) Cl.** **29-02**
- (52) **U.S. Cl.**
USPC **D29/122**
- (58) **Field of Classification Search**
USPC D29/100, 102, 105, 106, 108, 122;
D2/865, 880, 881; 2/455, 456, 410, 7,
2/8.2, 424, 425, 9, 468, 171, 205, 206;
128/201.23, 857
CPC ... A41D 13/05; A41D 13/11; A41D 13/1107;
A41D 13/1161; A41D 13/113; A41D 13/1138;
A41D 13/1146; A42B 3/18; A42B 3/20;
A42B 3/205; A42B 3/32; A42B 3/326;
A42B 3/00; A42B 3/04; A42B 3/0406;
A42B 3/08; A42B 3/085; A42B 1/008;
A61F 9/06; A63B 71/08; A63B 71/085;
A63B 71/10; A63B 71/12; A63B 71/1291
See application file for complete search history.

(56) **References Cited**
U.S. PATENT DOCUMENTS

| | | | |
|---------------|---------|---------|----------------------|
| 1,820,237 A | 8/1931 | Malcom | |
| D132,184 S * | 4/1942 | Lyon | D11/3 |
| 2,758,307 A | 8/1956 | Treiber | |
| 2,867,811 A * | 1/1959 | Jones | A42B 3/08 2/421 |
| 3,216,023 A * | 11/1965 | Morgan | A42B 3/08 128/857 |

- 3,572,329 A * 3/1971 de Woskin A45D 44/22
2/421
- 3,619,813 A * 11/1971 Marchello A42B 3/08
2/421
- D288,980 S 3/1987 Pernicka

(Continued)

OTHER PUBLICATIONS

Salisbury, Face Shield, Arc Flash, Website, Jul. 25, 2014, 3PP.

Primary Examiner — Elizabeth J Oswecki

(74) *Attorney, Agent, or Firm* — The Maxham Firm

(57) **CLAIM**

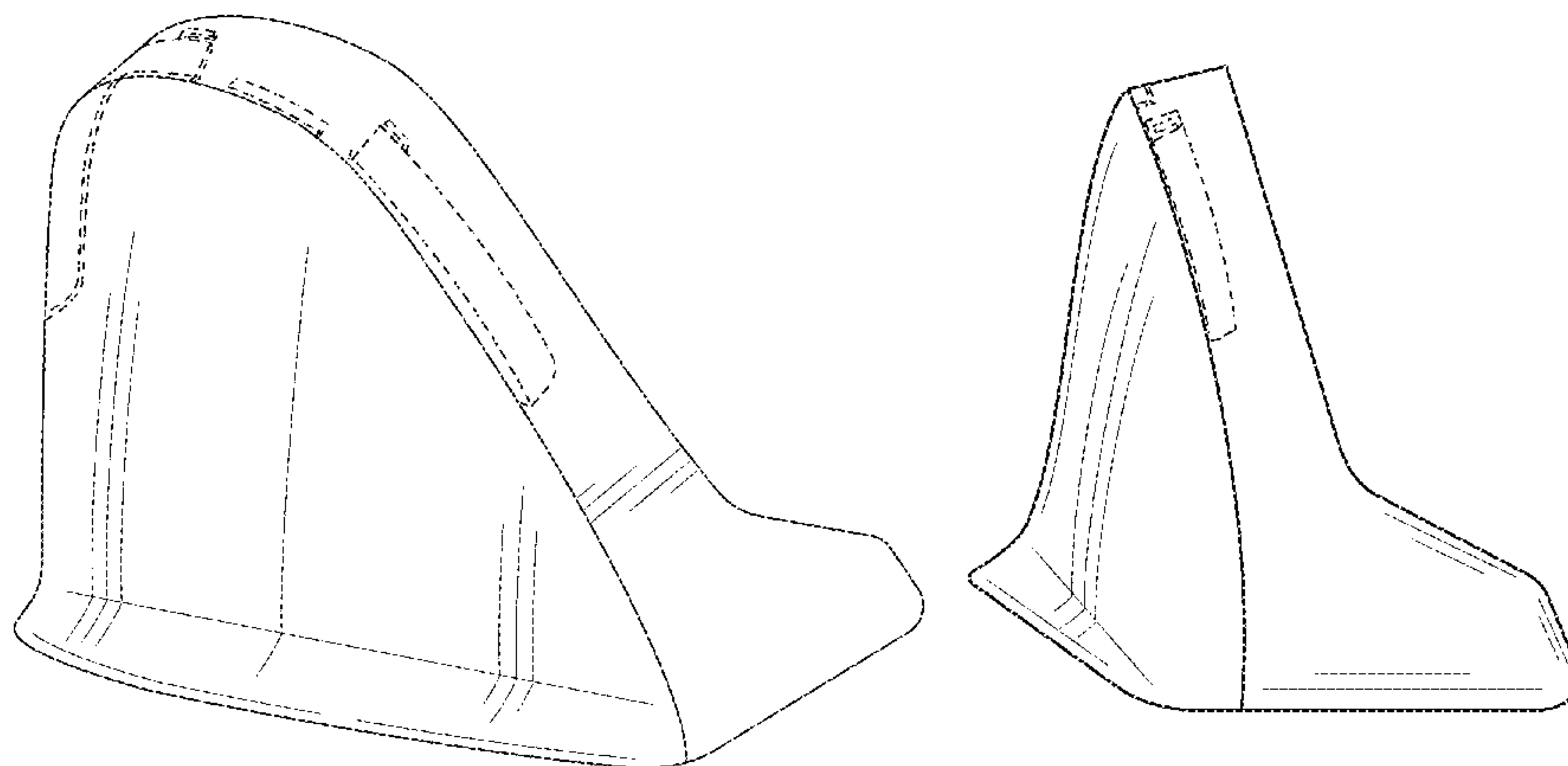
The ornamental design for a chin protector for a protective face shield, as shown and described.

DESCRIPTION

FIG. 1 is a front perspective view of a first embodiment of a chin protector showing my new design;
 FIG. 2 is a front view thereof;
 FIG. 3 is a rear view thereof;
 FIG. 4 is a right side view thereof, the left side view being a mirror image thereof;
 FIG. 5 is a top view thereof;
 FIG. 6 is a bottom view thereof;
 FIG. 7 is a perspective view thereof, shown in a used condition with a protective face shield which is shown in broken lines;
 FIG. 8 is a front perspective view of a second embodiment of a chin protector showing my new design;
 FIG. 9 is a front view thereof;
 FIG. 10 is a rear view thereof;
 FIG. 11 is a right side view thereof, the left side view being a mirror image thereof;
 FIG. 12 is a top view thereof;
 FIG. 13 is a bottom view thereof; and,
 FIG. 14 is a perspective view thereof, shown in a used condition with a protective face shield which is shown in broken lines.

The broken lines shown in the drawings represent portions of the chin protector for a protective face shield that form no part of the claimed design.

1 Claim, 14 Drawing Sheets



(56)

References Cited

U.S. PATENT DOCUMENTS

4,884,296 A 12/1989 Nix, Jr.
D307,065 S 4/1990 Friedman
D308,582 S 6/1990 Salce et al.
D311,782 S 10/1990 Salce et al.
D321,067 S 10/1991 Salce et al.
D321,958 S 11/1991 Salce et al.
D358,684 S 5/1995 Salce
5,794,274 A * 8/1998 Kraemer A42B 3/205
2/421
D398,421 S 9/1998 Crafoord et al.
D416,649 S * 11/1999 Burns D29/110
6,289,521 B1 * 9/2001 Ikeda A42B 3/105
2/421
6,298,483 B1 * 10/2001 Schiebl A42B 3/0433
2/421
6,381,757 B2 * 5/2002 Rush, III 2/421
6,481,024 B1 * 11/2002 Grant A42B 3/08
2/421
D471,675 S * 3/2003 Ikeda D29/122
D487,534 S 3/2004 Broersma

D499,214 S 11/2004 Cheng
D519,683 S 4/2006 Farrell et al.
D526,449 S * 8/2006 Dawson D29/122
D526,746 S * 8/2006 Wong D29/122
D539,485 S 3/2007 Huh
D548,893 S * 8/2007 Hedge D29/122
D560,315 S * 1/2008 Wong D29/122
D606,707 S * 12/2009 Schiebl D29/122
D620,205 S * 7/2010 Schiebl D29/122
D632,439 S * 2/2011 Lebel D29/122
D632,440 S * 2/2011 Lebel D29/122
D638,172 S * 5/2011 Lebel D29/122
D657,497 S * 4/2012 Schiebl D29/108
D672,683 S * 12/2012 Klotz D11/122
D674,560 S * 1/2013 Klotz D29/122
D701,002 S * 3/2014 Lebel D29/122
D703,874 S * 4/2014 Lebel D29/122
D711,051 S * 8/2014 Noordzij D29/122
D740,496 S * 10/2015 Noordzij D29/122
2007/0124842 A1 * 6/2007 Nascimento A42B 3/08
2/9
2012/0204331 A1 * 8/2012 Lebel G02C 3/02
2/422

* cited by examiner

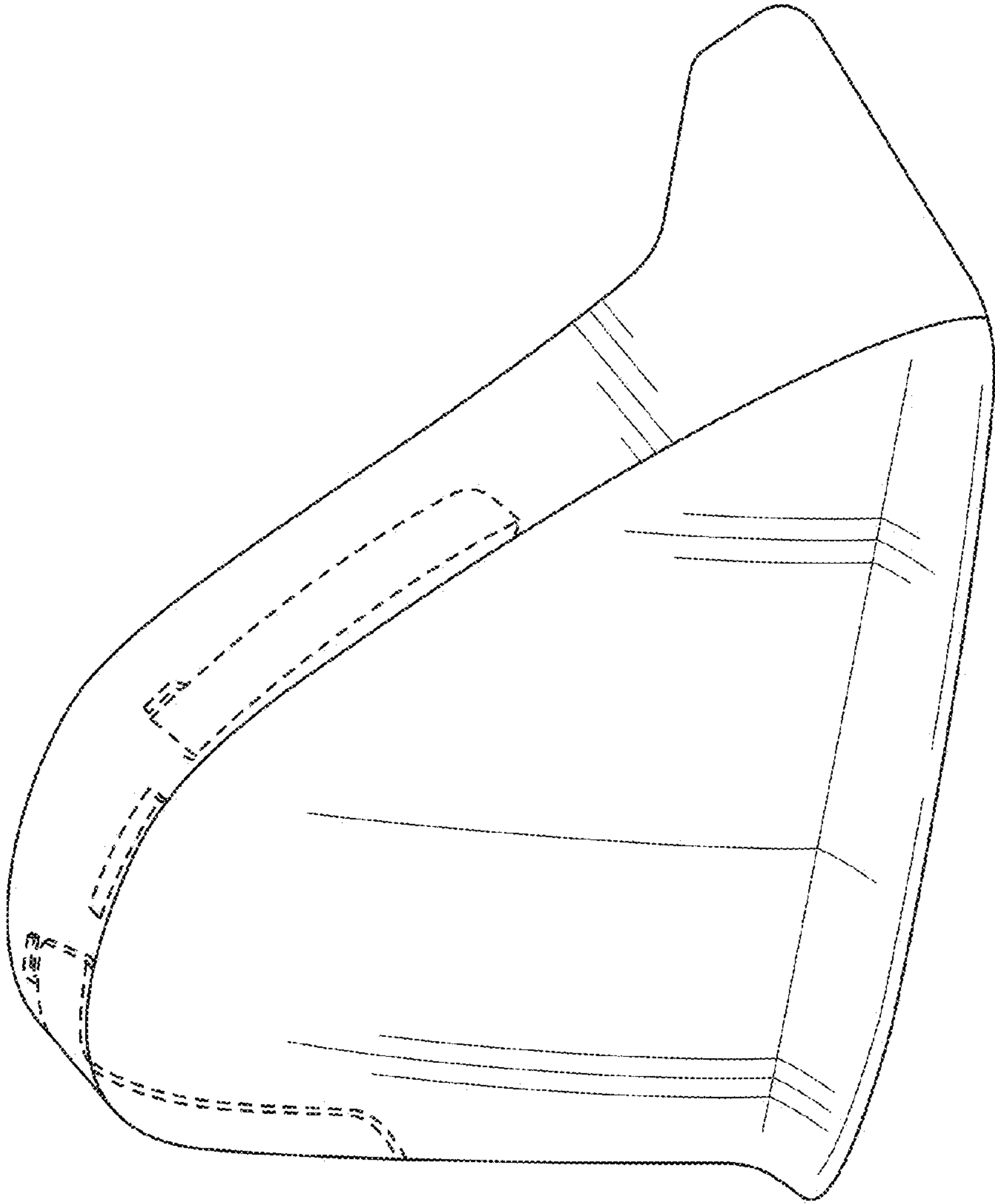


FIG. 1

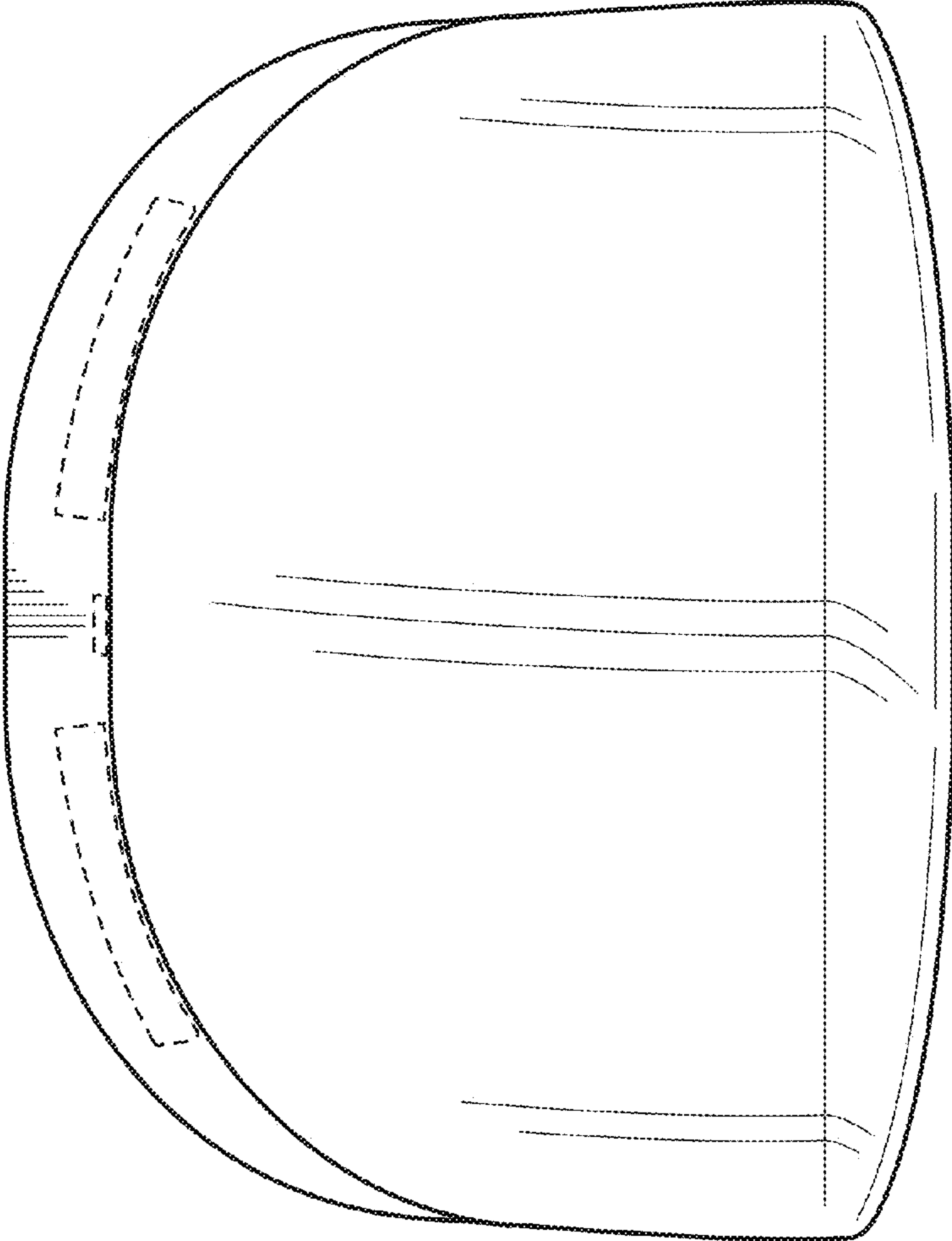


FIG. 2

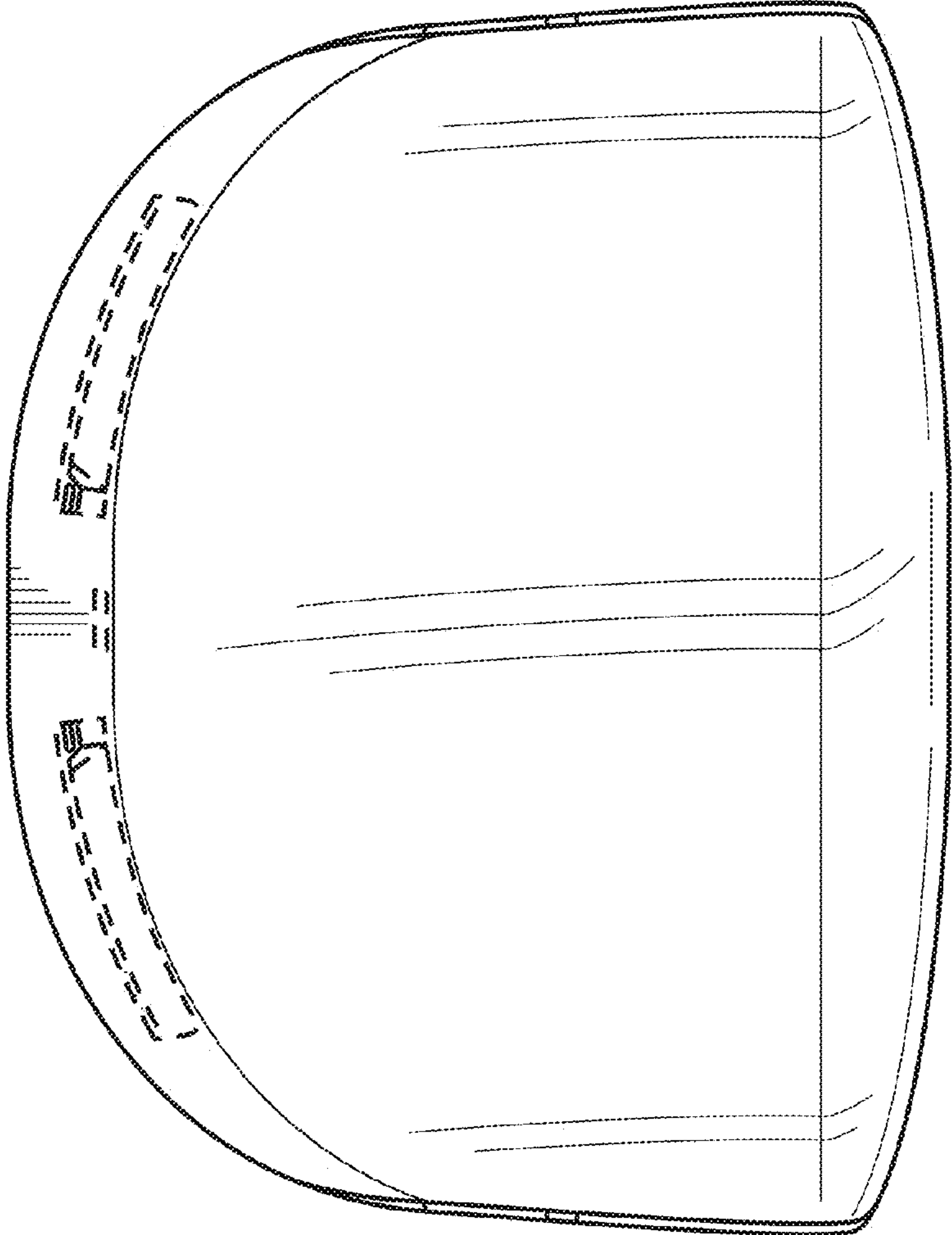


FIG. 3

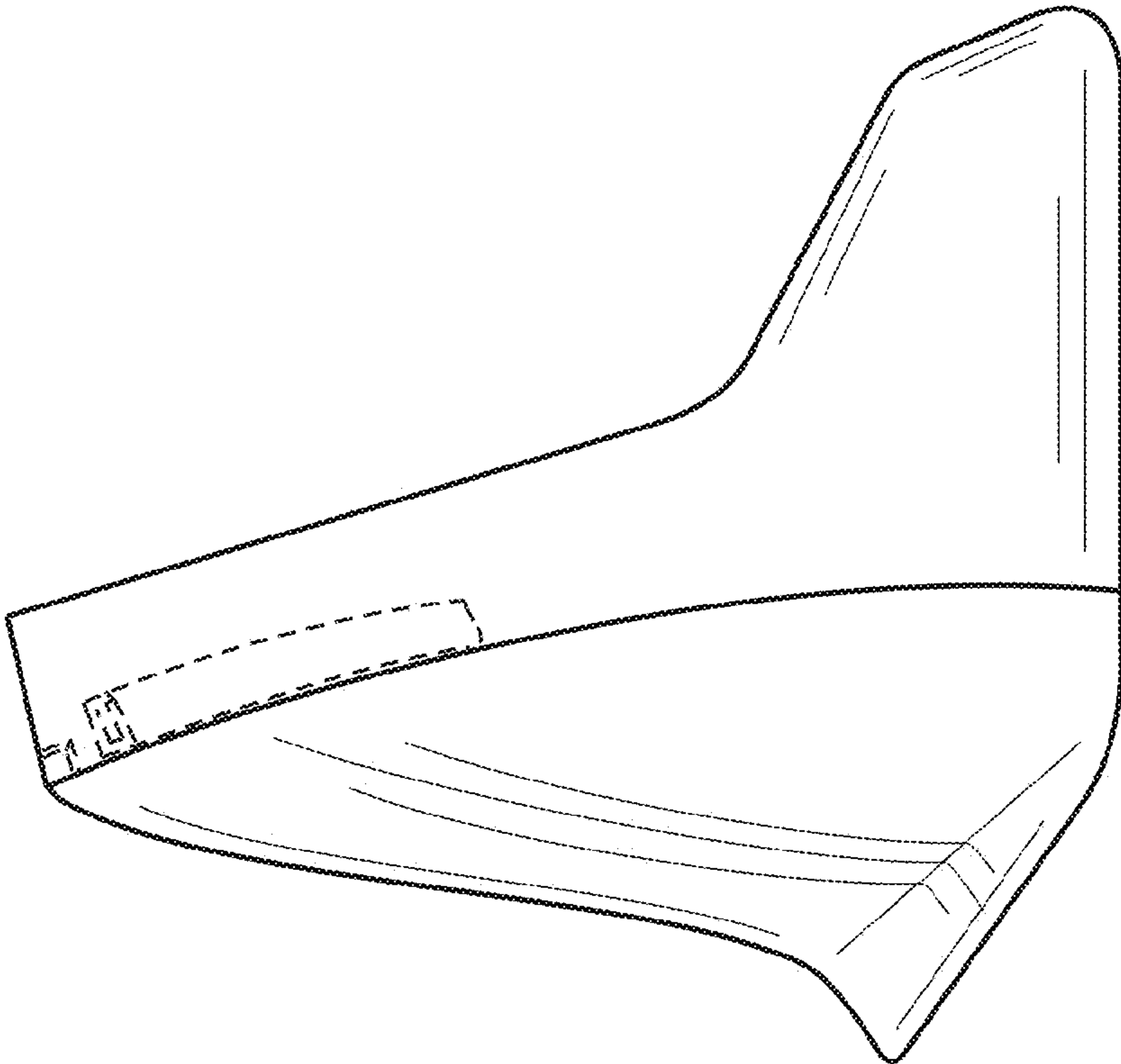


FIG. 4

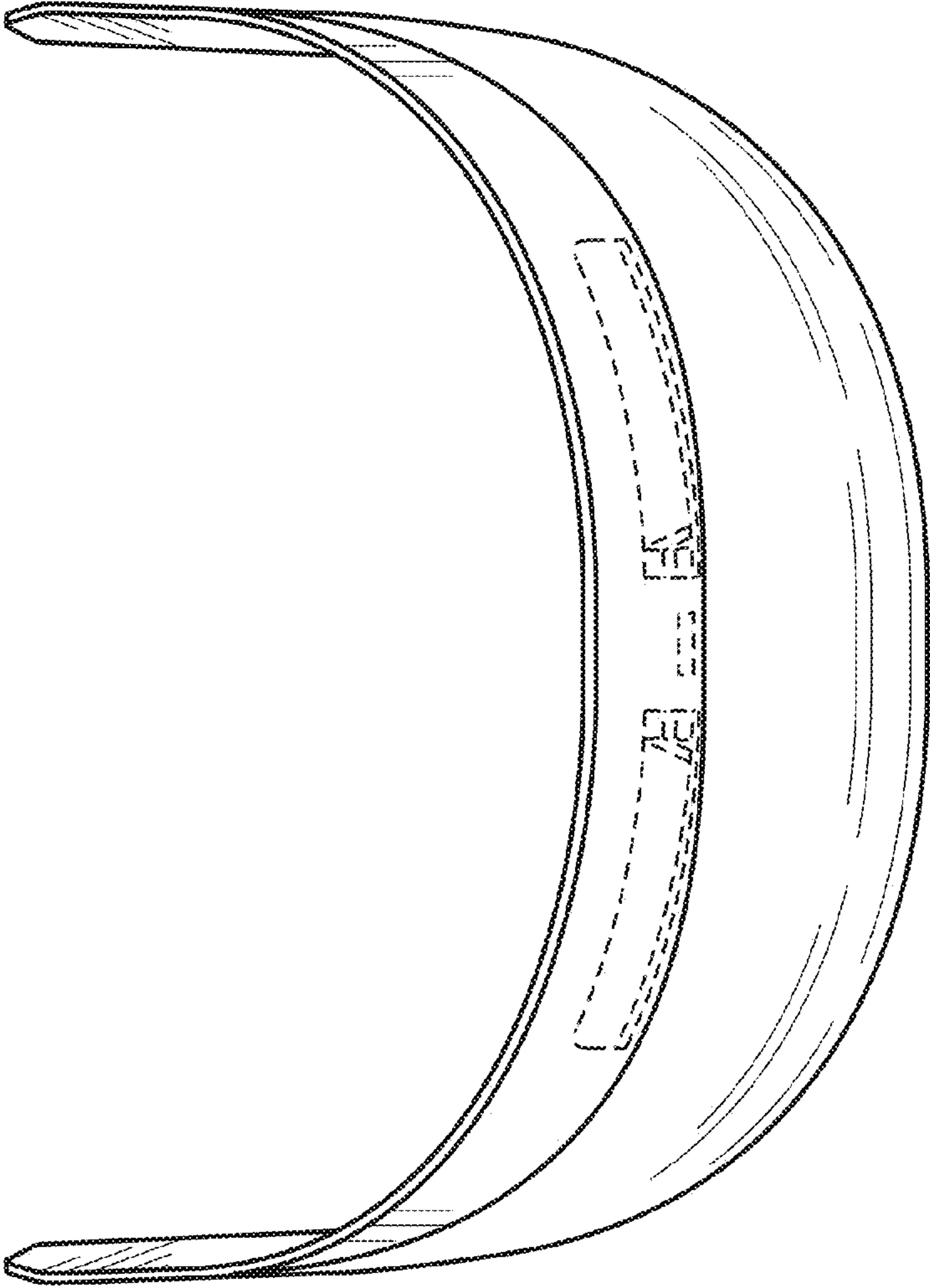


FIG. 5

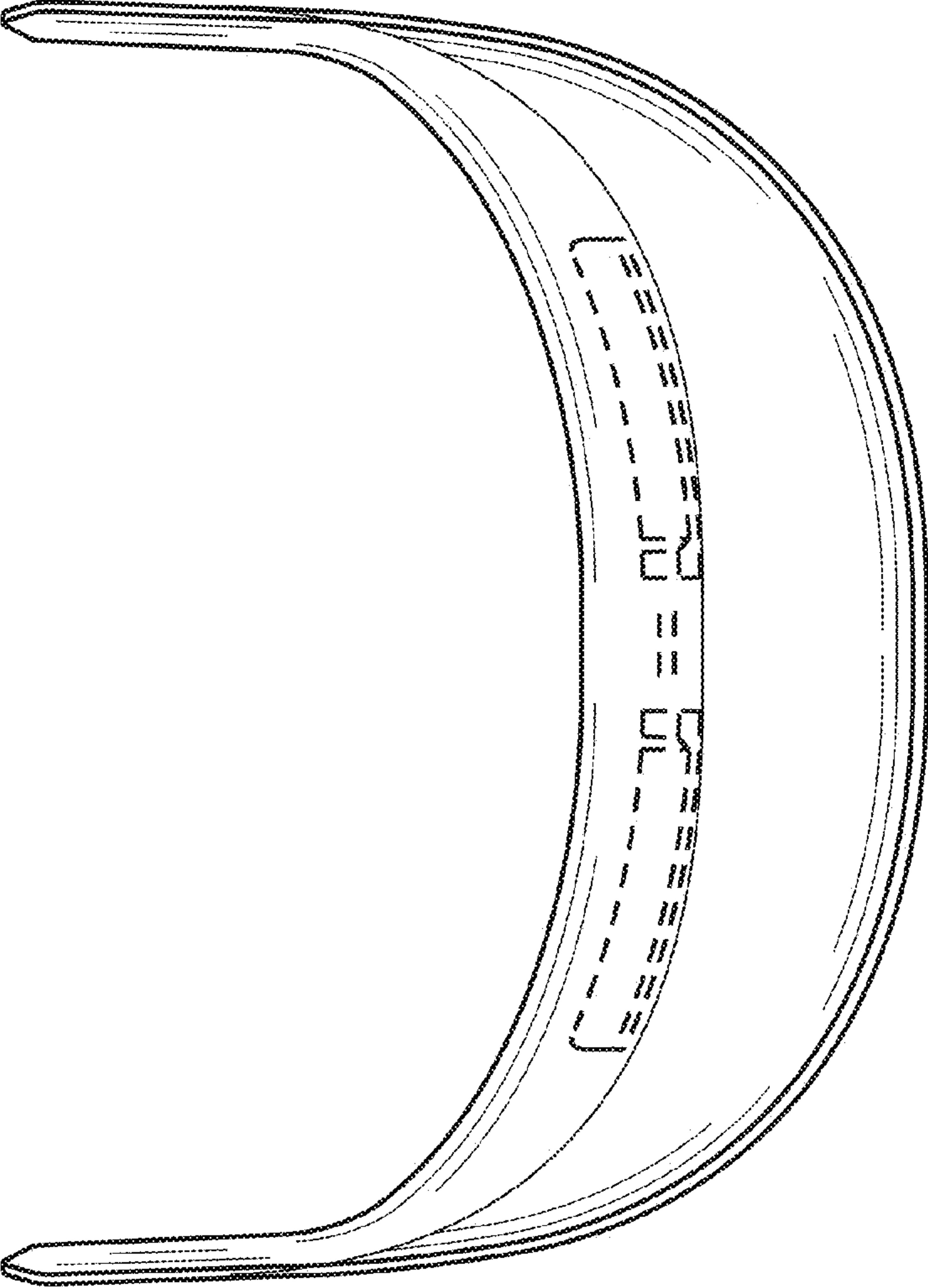


FIG. 6

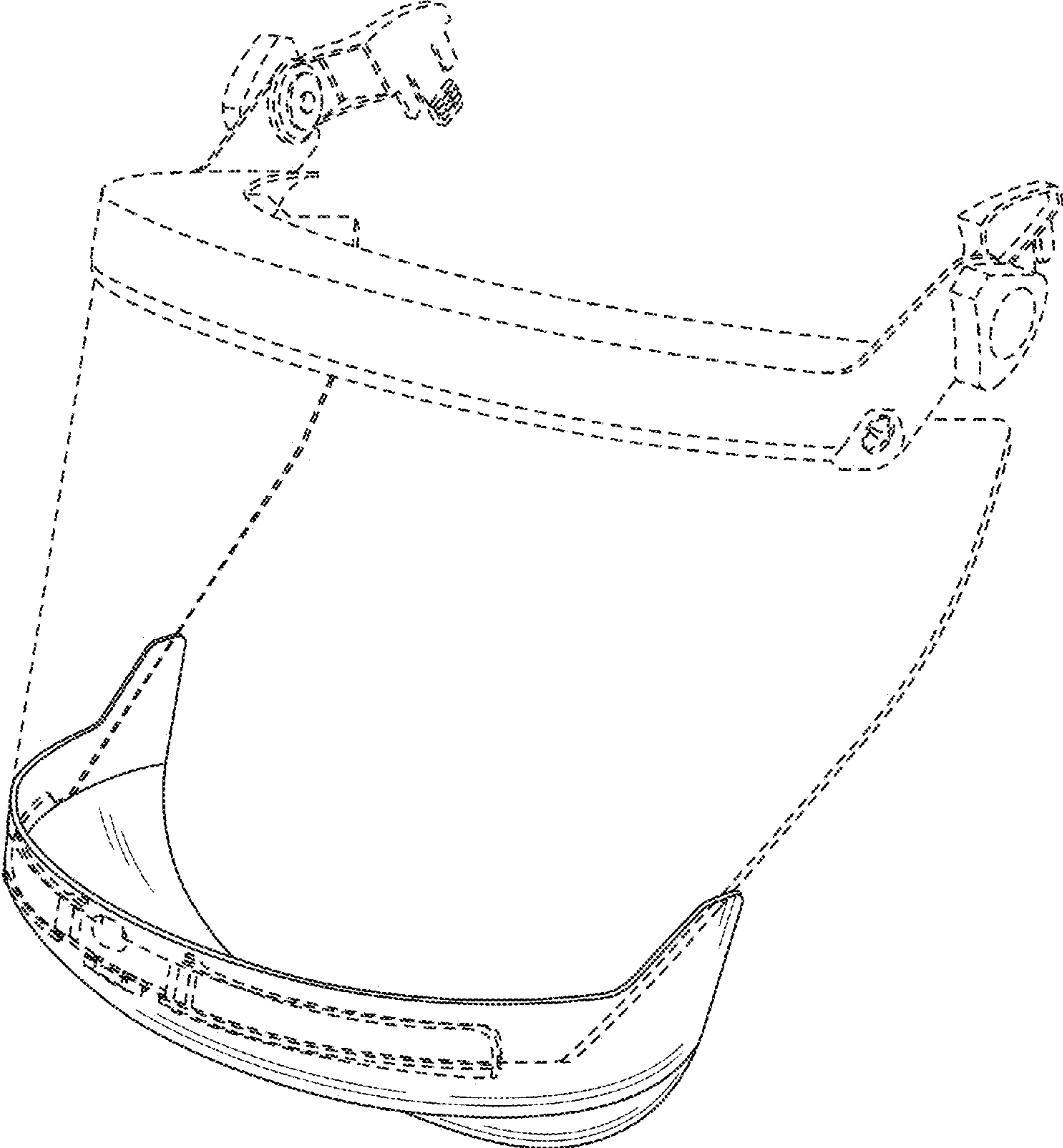


FIG. 7

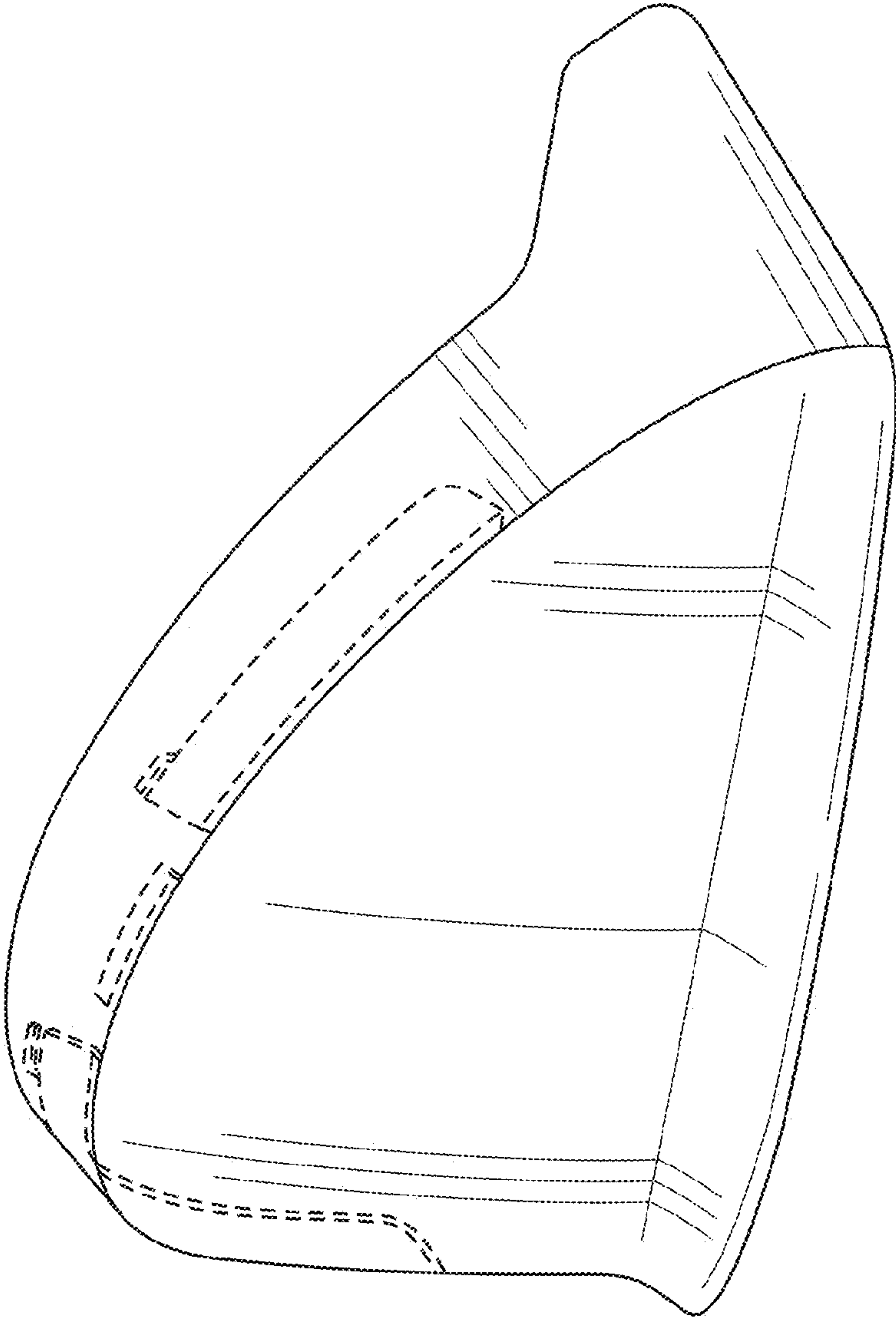


FIG. 8

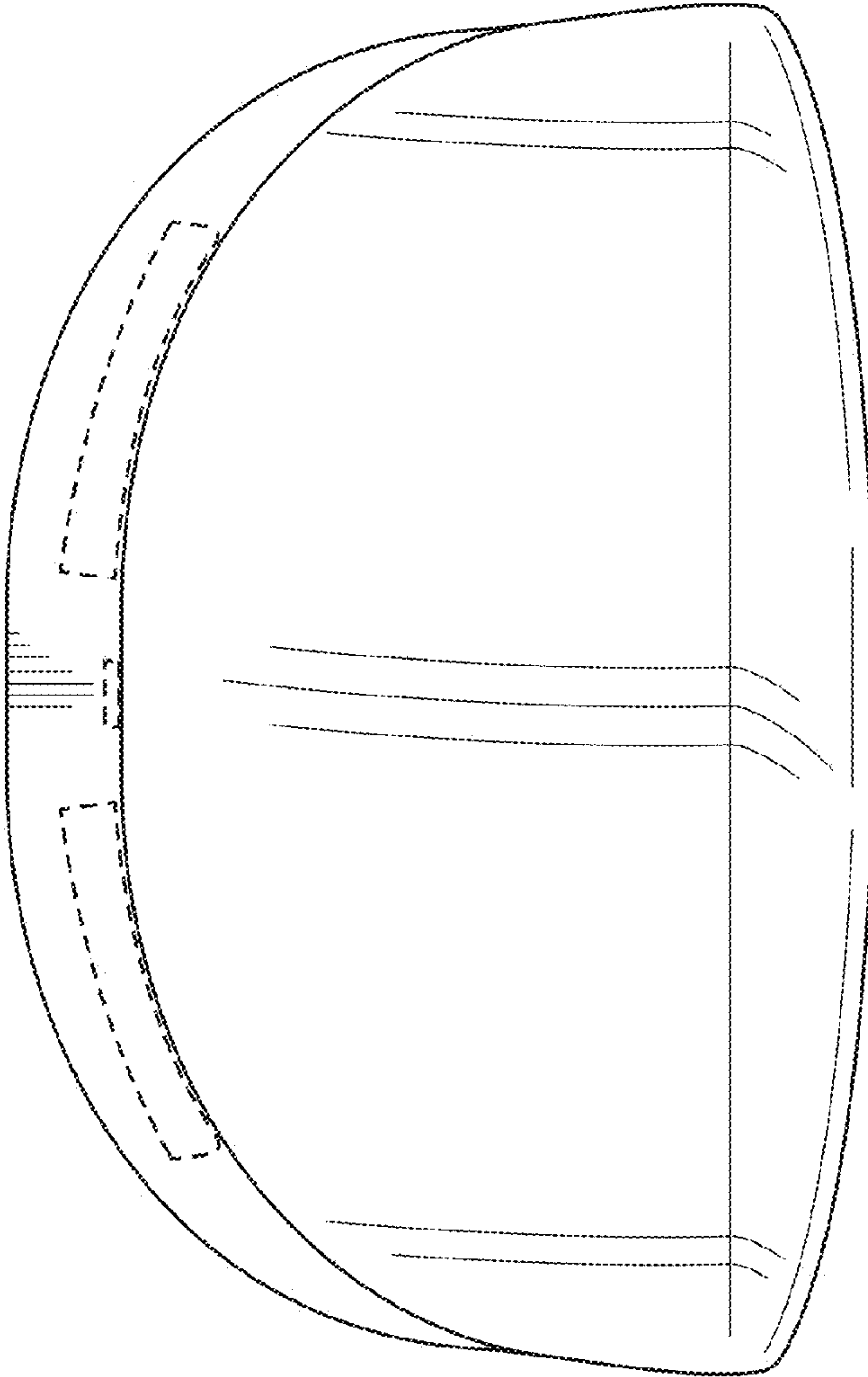


FIG. 9

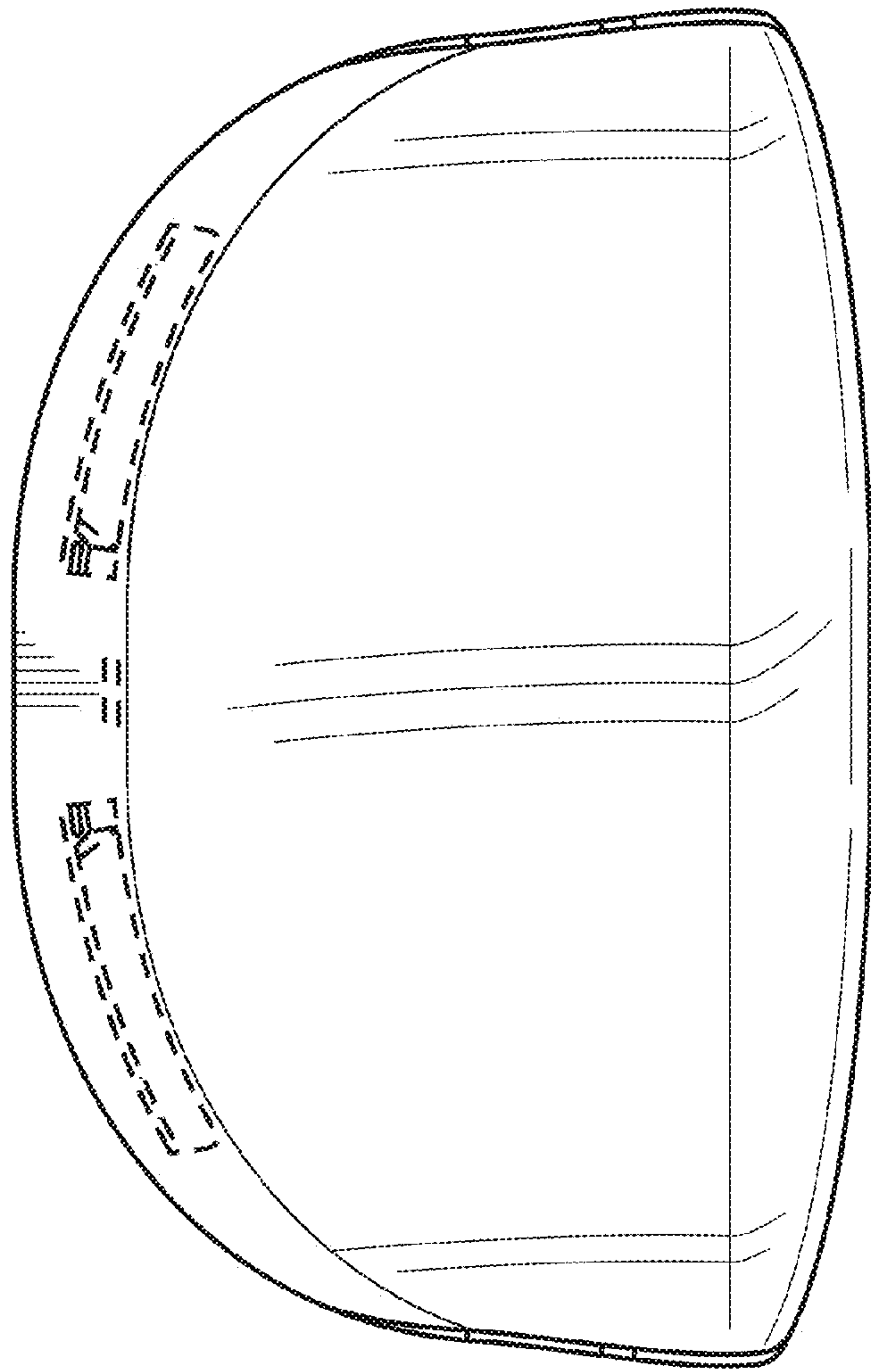


FIG. 10

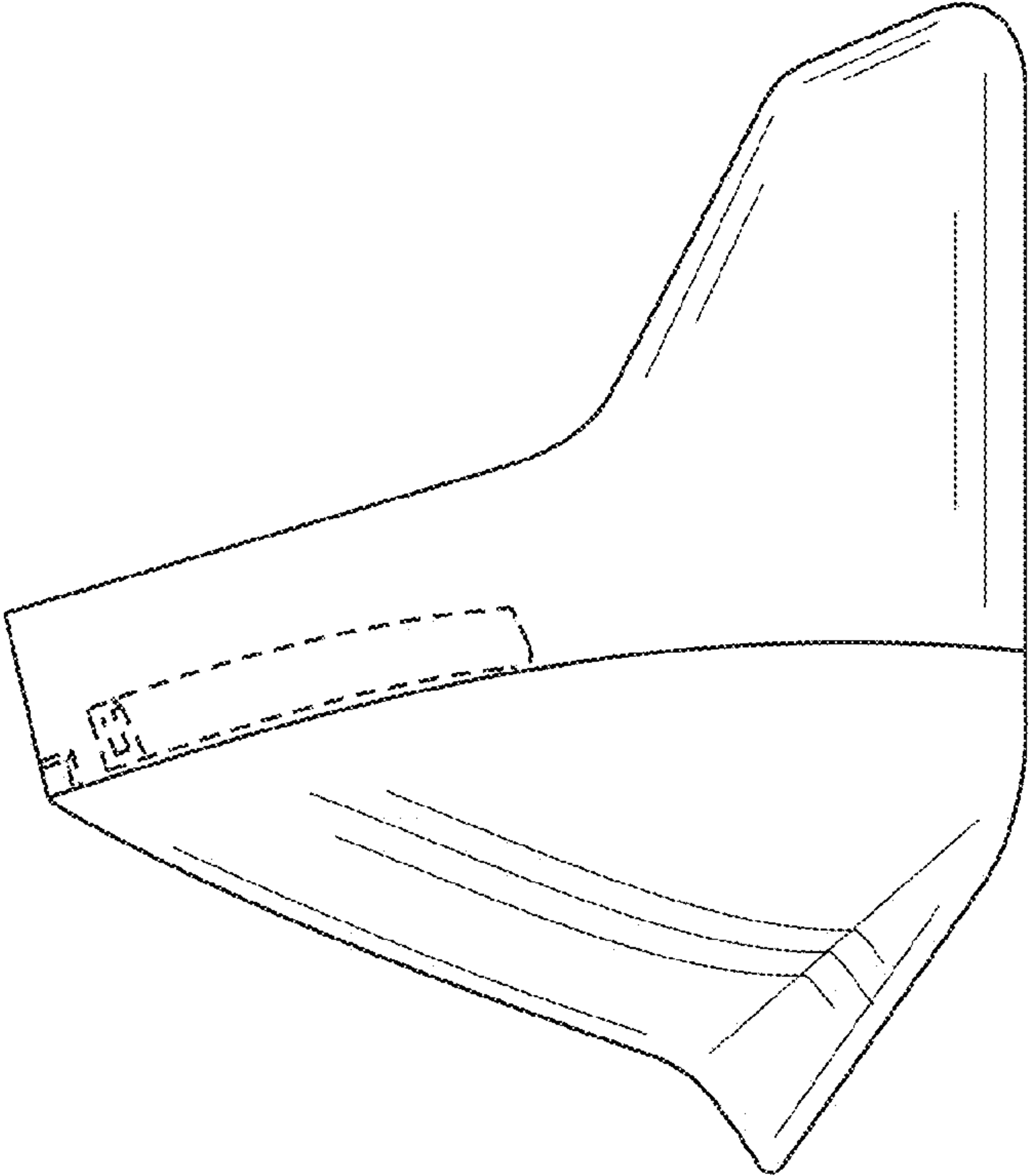


FIG. 11

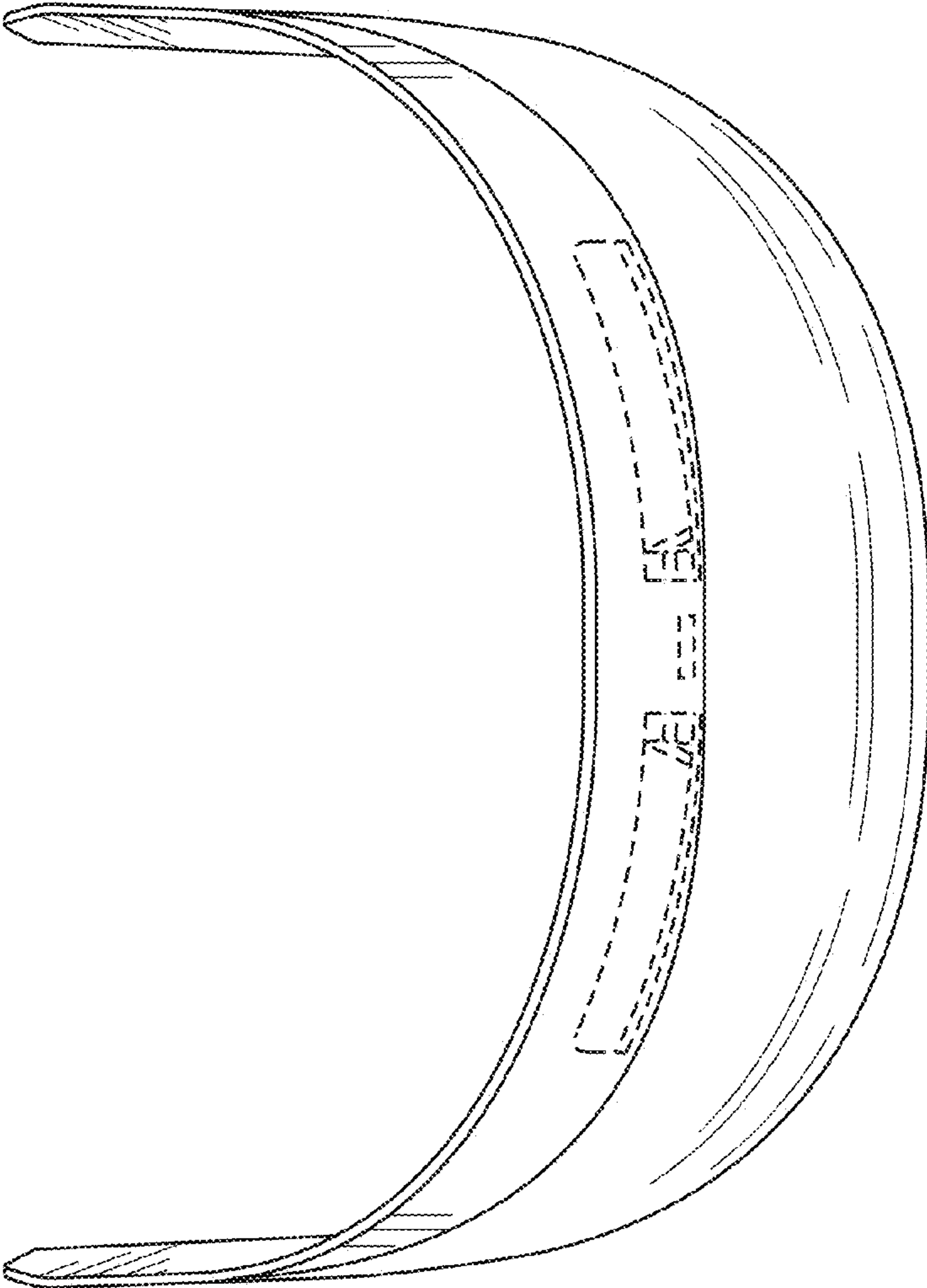


FIG. 12

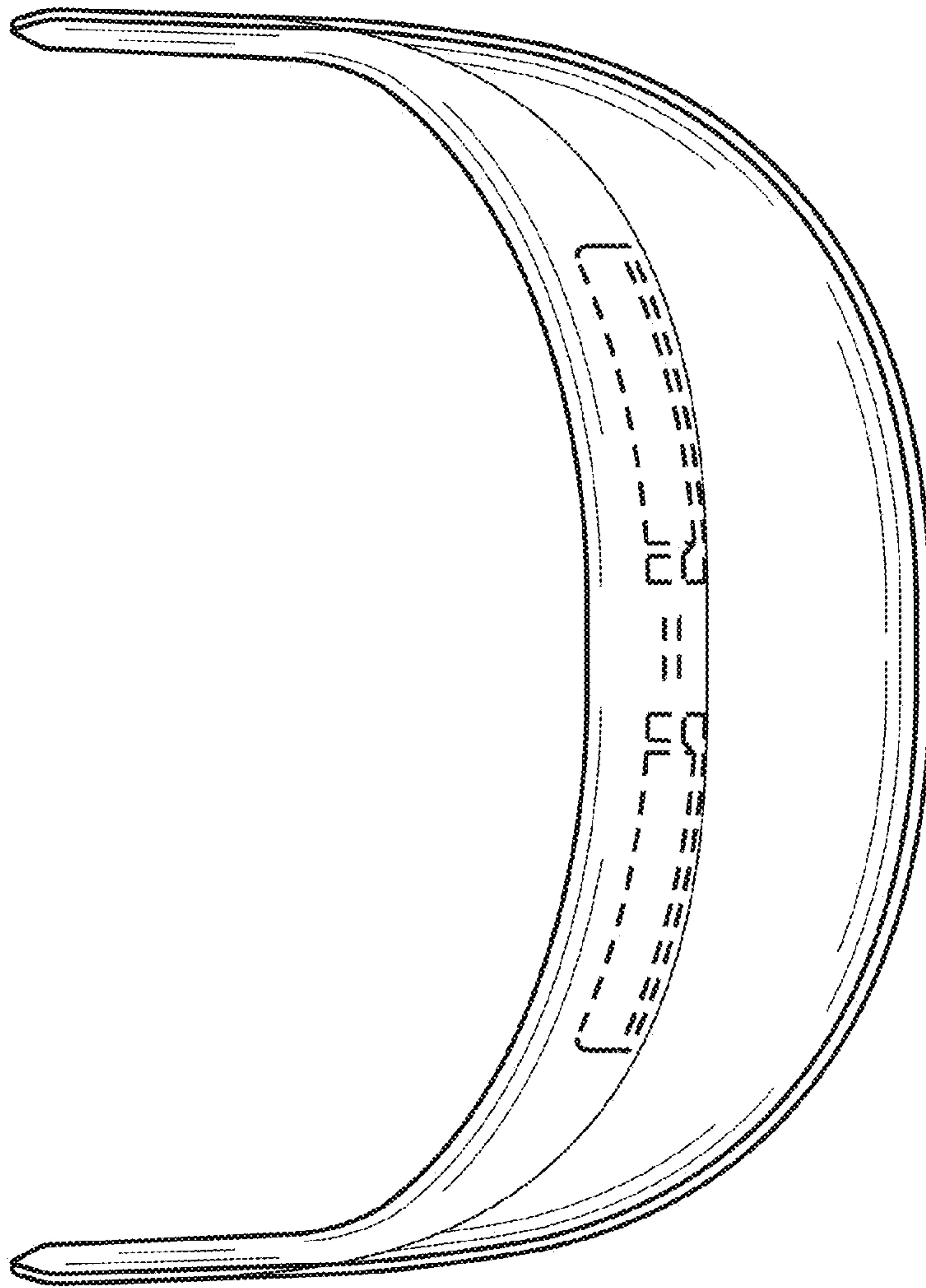


FIG. 13

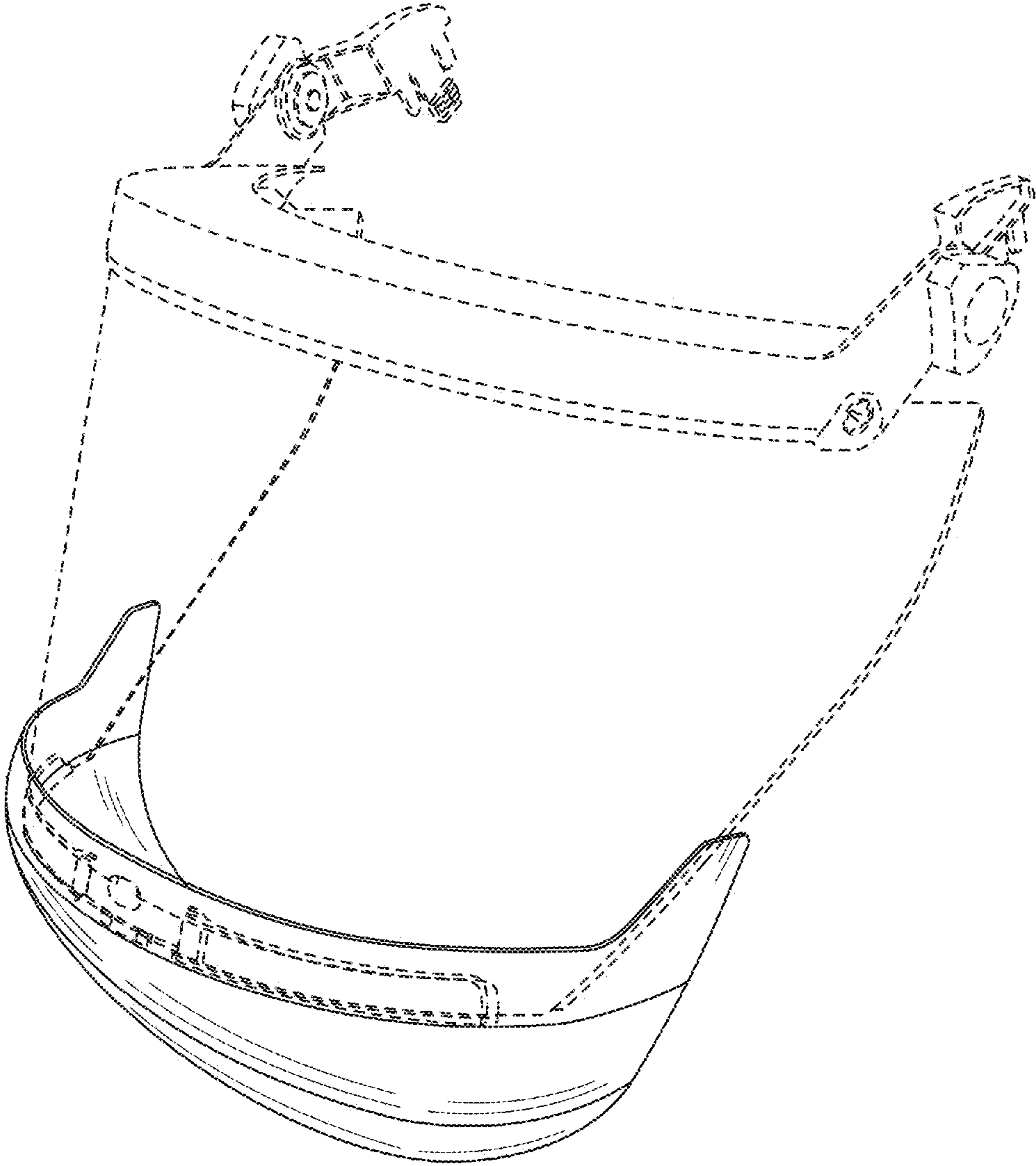


FIG. 14