



US00D757366S

(12) **United States Design Patent**
Sheren

(10) **Patent No.:** **US D757,366 S**

(45) **Date of Patent:** **** *May 24, 2016**

(54) **CHEST DEVICE**

(75) Inventor: **Brady Sheren**, Surrey (CA)

(73) Assignee: **Brady Sheren Designs, Inc.**, Surrey,
British Columbia (CA)

(*) Notice: This patent is subject to a terminal disclaimer.

(**) Term: **14 Years**

(21) Appl. No.: **29/413,252**

(22) Filed: **Feb. 13, 2012**

(51) **LOC (10) Cl.** **02-02**

(52) **U.S. Cl.**

USPC **D29/101.3; D29/101.2; D24/191**

(58) **Field of Classification Search**

USPC D29/10, 11, 99, 101.2, 101.3, 122; 2/2,
2/2.5, 27, 44, 45, 69, 92, 94, 102, 108,
2/268, 326, 410-414, 455, 456, 461-465,
2/468, 459, 467; 428/113, 911; 89/36.01,
89/36.02, 36.05; D24/64, 191; 280/290,
280/808; 350/97-98; 602/17, 18, 19

CPC A42B 3/0473; A63B 71/081; A63B 71/10;
A63B 71/12; A63B 71/1291; A61F 5/055;
B60N 2/48; B60R 21/02; B64D 10/00;
A41D 13/0512; A41D 13/05; A41D 2600/102;
A41D 13/0531

See application file for complete search history.

(56) **References Cited**

U.S. PATENT DOCUMENTS

3,134,106 A * 5/1964 Shaffer et al. 2/462
3,873,996 A * 4/1975 Varteressian 2/421

(Continued)

OTHER PUBLICATIONS

Motocross Action Magazine | brady sheren, image post date Mar. 7,
2012, site visited on Dec. 14, 2015 (online), <<http://motocrossactionmag.com/tag/brady-sheren>>.*

(Continued)

Primary Examiner — Sheryl Lane

Assistant Examiner — Ieisha Price

(74) *Attorney, Agent, or Firm* — Thomas I. Rozsa

(57) **CLAIM**

The ornamental design for a chest device, as shown and described.

DESCRIPTION

FIG. 1 is a side perspective view of the chest device, with the shoulder pad in an upright position;

FIG. 2 is a front view with the shoulder pad in an upright position;

FIG. 3 is a rear view with the shoulder pad in an upright position;

FIG. 4 is a right side view with the shoulder pad in an upright position;

FIG. 5 is a left side view with the shoulder pad in an upright position;

FIG. 6 is a top view with the shoulder pad in an upright position;

FIG. 7 is a bottom view with the shoulder pad in an upright position;

FIG. 8 is a side perspective view with the shoulder pad in a folded position;

FIG. 9 is a front view with the shoulder pad in a folded position;

FIG. 10 is a rear view with the shoulder pad in a folded position;

FIG. 11 is a right side view with the shoulder pad in a folded position;

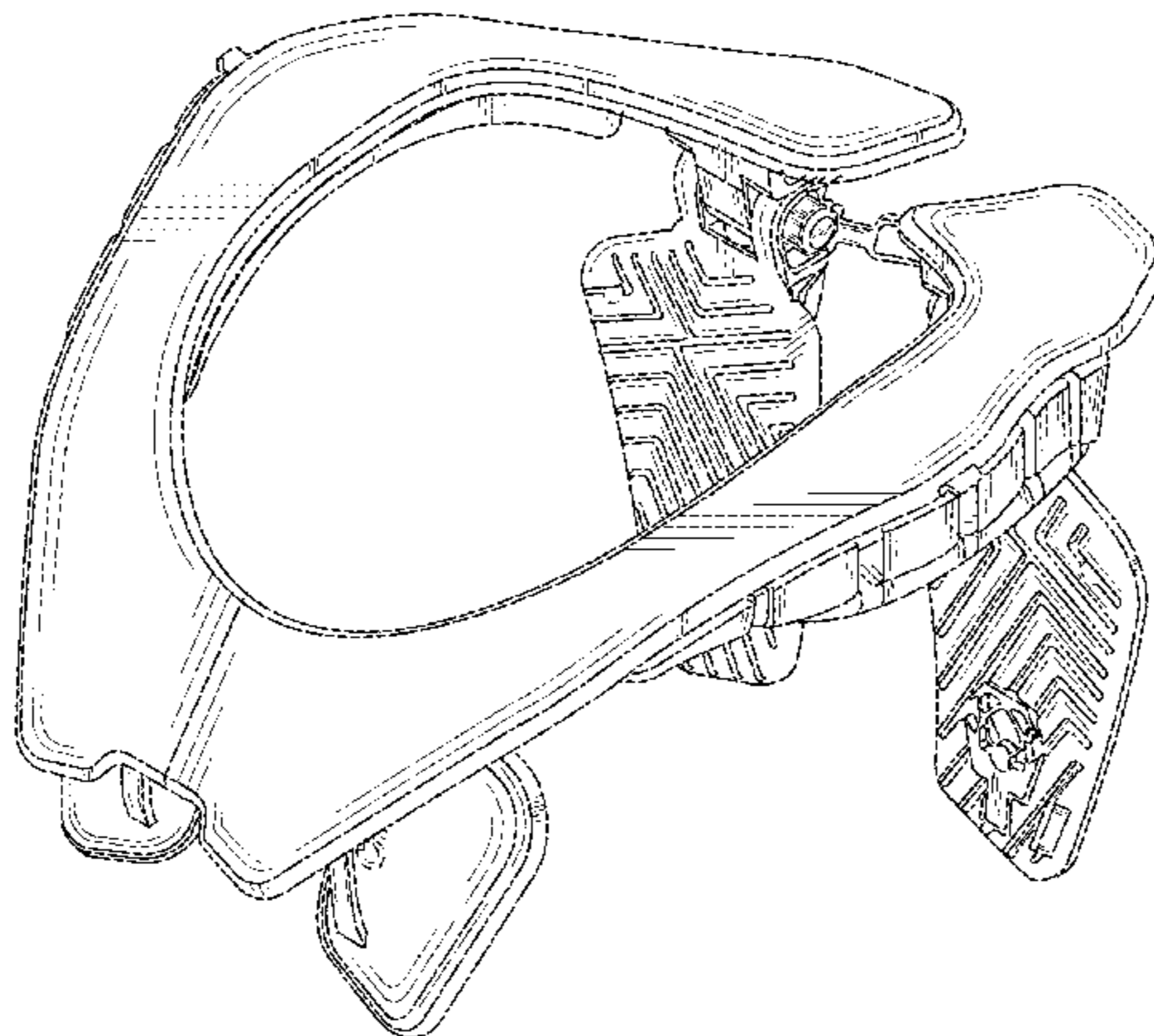
FIG. 12 is a left side view with the shoulder pad in a folded position;

FIG. 13 is a top view with the shoulder pad in a folded position; and,

FIG. 14 is a bottom view with the shoulder pad in a folded position.

The broken lines in the drawings illustrate portions of the chest device and form no part of the claimed design.

1 Claim, 14 Drawing Sheets



(56)

References Cited

U.S. PATENT DOCUMENTS

D296,595 S * 7/1988 Flosi et al. D29/101.3
 6,006,368 A * 12/1999 Phillips 2/468
 6,591,430 B1 * 7/2003 Sledge 2/468
 D492,819 S * 7/2004 Beland D29/122
 D592,310 S * 5/2009 Leatt D24/191
 D600,860 S * 9/2009 Durham D29/101.3
 D605,300 S * 12/2009 Mazzarolo D24/191
 7,846,117 B2 * 12/2010 Leatt et al. 602/18
 D633,623 S * 3/2011 Leatt D24/191
 7,941,873 B2 * 5/2011 Nagely et al. 2/425
 7,975,321 B1 * 7/2011 Behrens 2/468
 D643,978 S * 8/2011 Abajo Alonso et al. .. D29/101.2
 D649,649 S * 11/2011 Leatt D24/191
 D656,680 S * 3/2012 Sheren D29/101.3
 8,393,017 B2 * 3/2013 Sheren A41D 13/0512
 2/425

8,832,871 B2 * 9/2014 Mazzarolo A41D 13/0512
 2/468
 8,938,820 B2 * 1/2015 Mazzarolo A41D 13/0512
 2/468
 2011/0041240 A1 * 2/2011 Mazzarolo A41D 13/0512
 2/468
 2012/0137418 A1 * 6/2012 Nelson A41D 13/0512
 2/468
 2012/0144568 A1 * 6/2012 Nelson A41D 13/0512
 2/468
 2013/0036538 A1 * 2/2013 Sheren A41D 13/0512
 2/461

OTHER PUBLICATIONS

Sneak Peek: Atlas Brace Technologies—Motocross Features—Vital MX, image post date Sep. 14, 2011, site visited on Dec. 22, 2015 (online). <<http://www.vitalmx.com/features/Sneak-Peek-Atlas-Brace-Technologies,3193>>.*

* cited by examiner

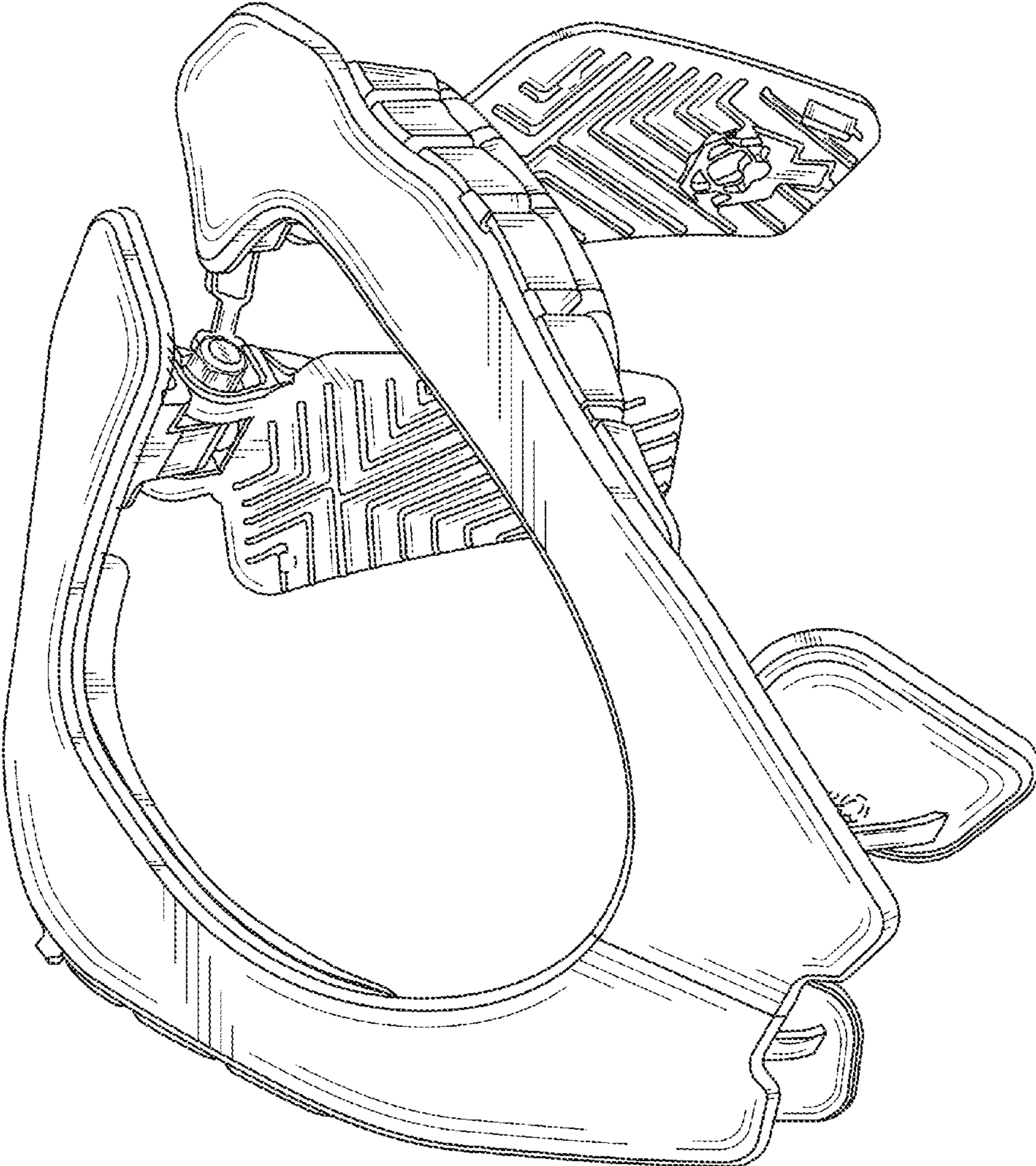


FIG. 1

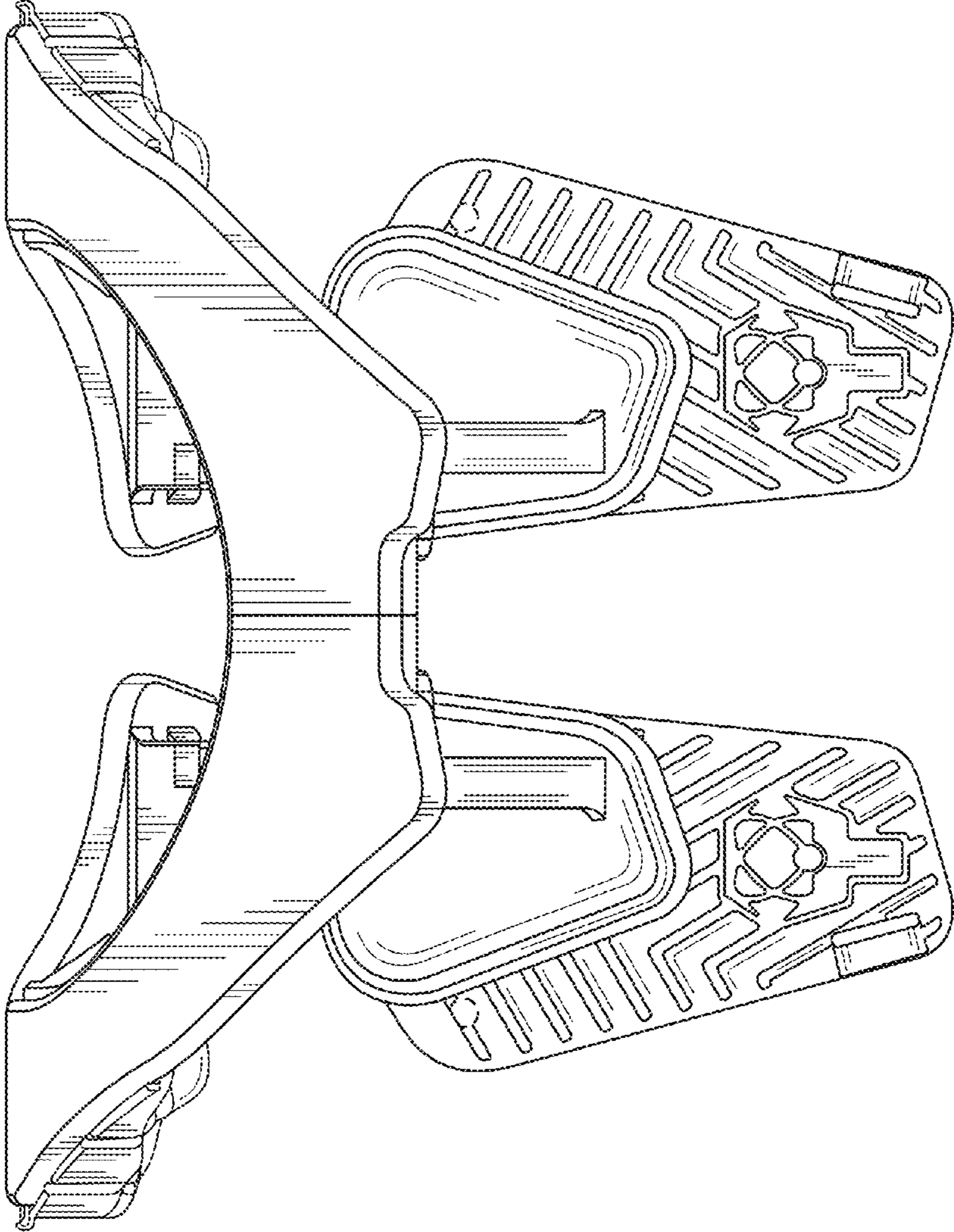


FIG. 2

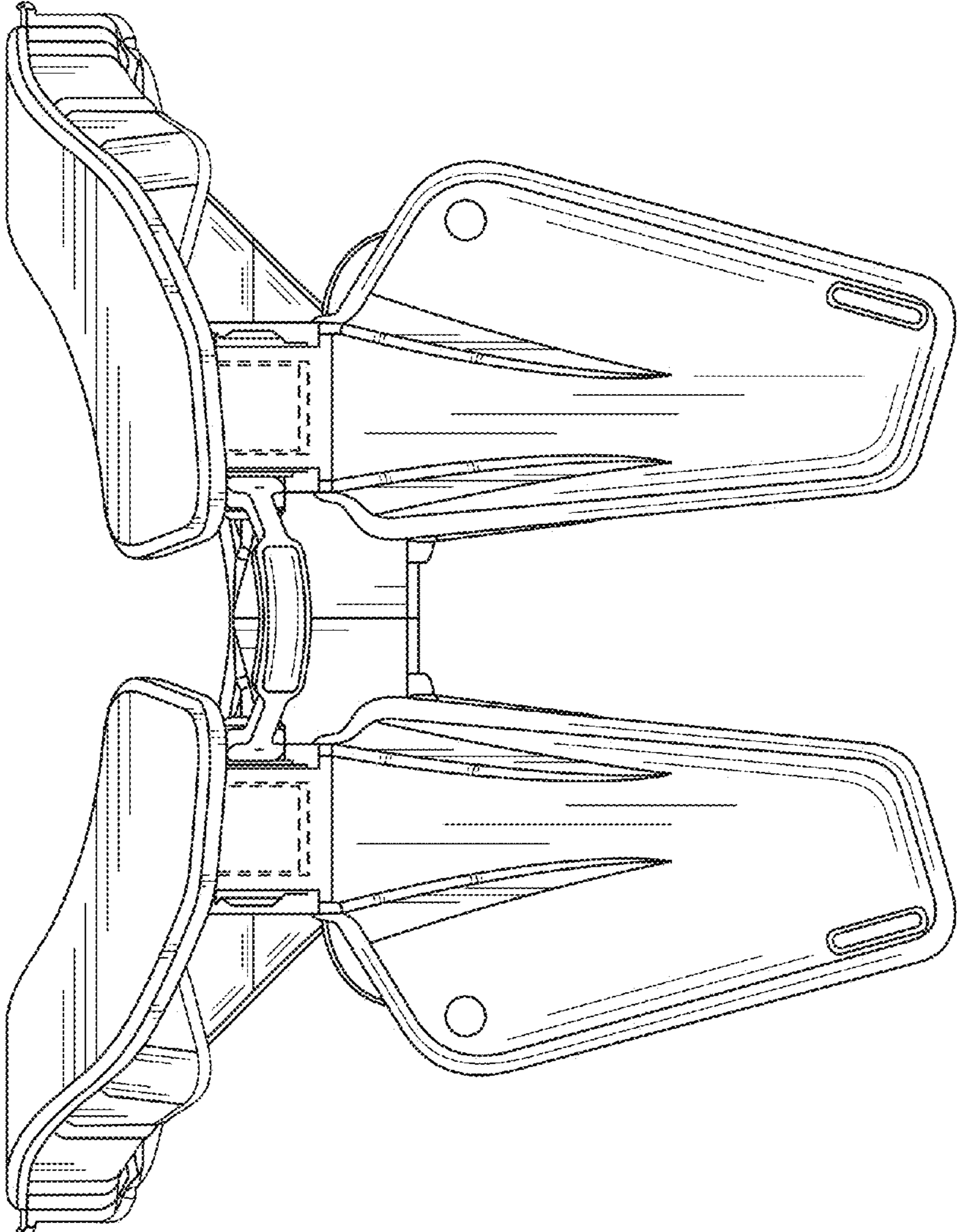


FIG. 3

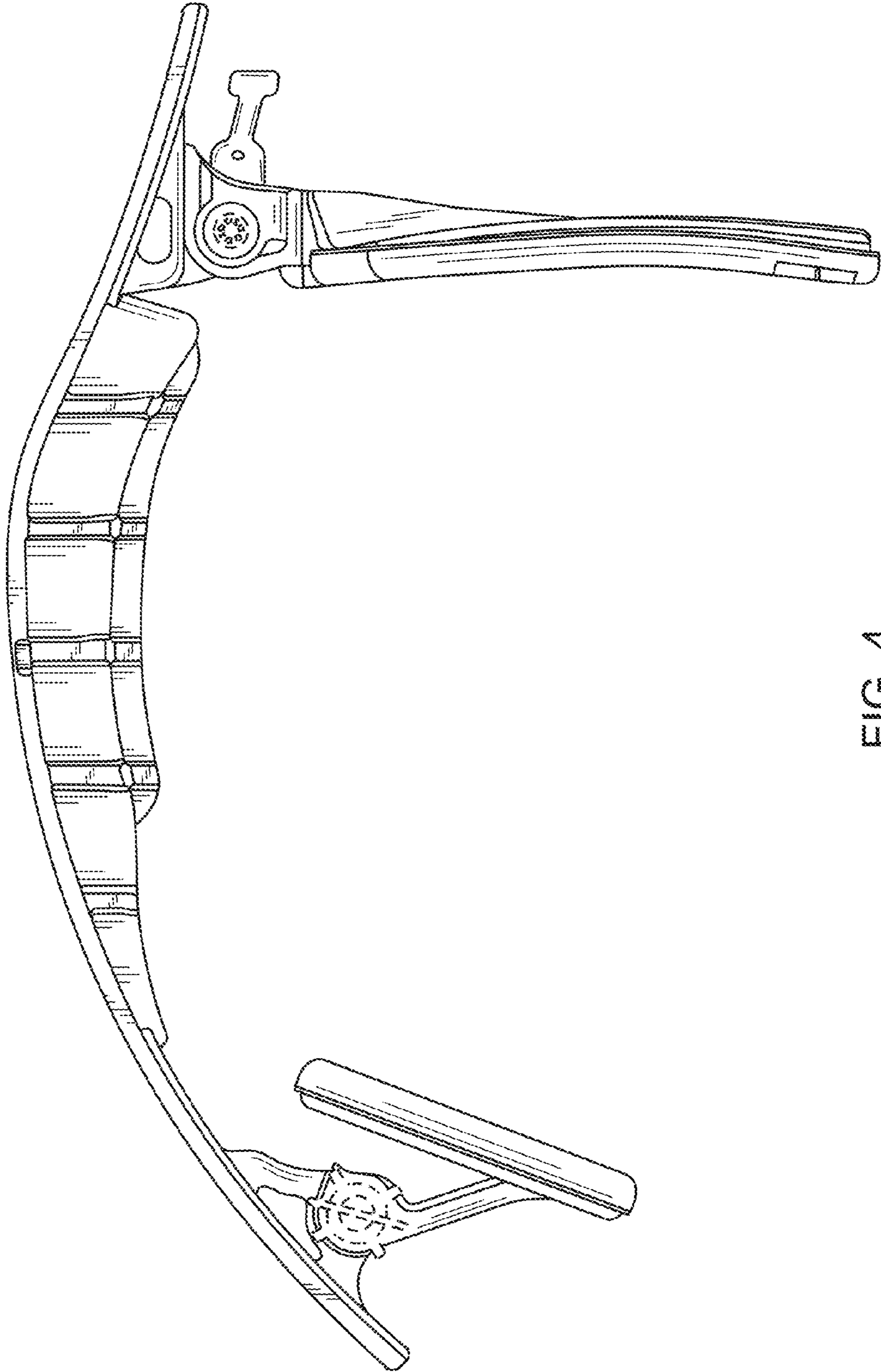


FIG. 4

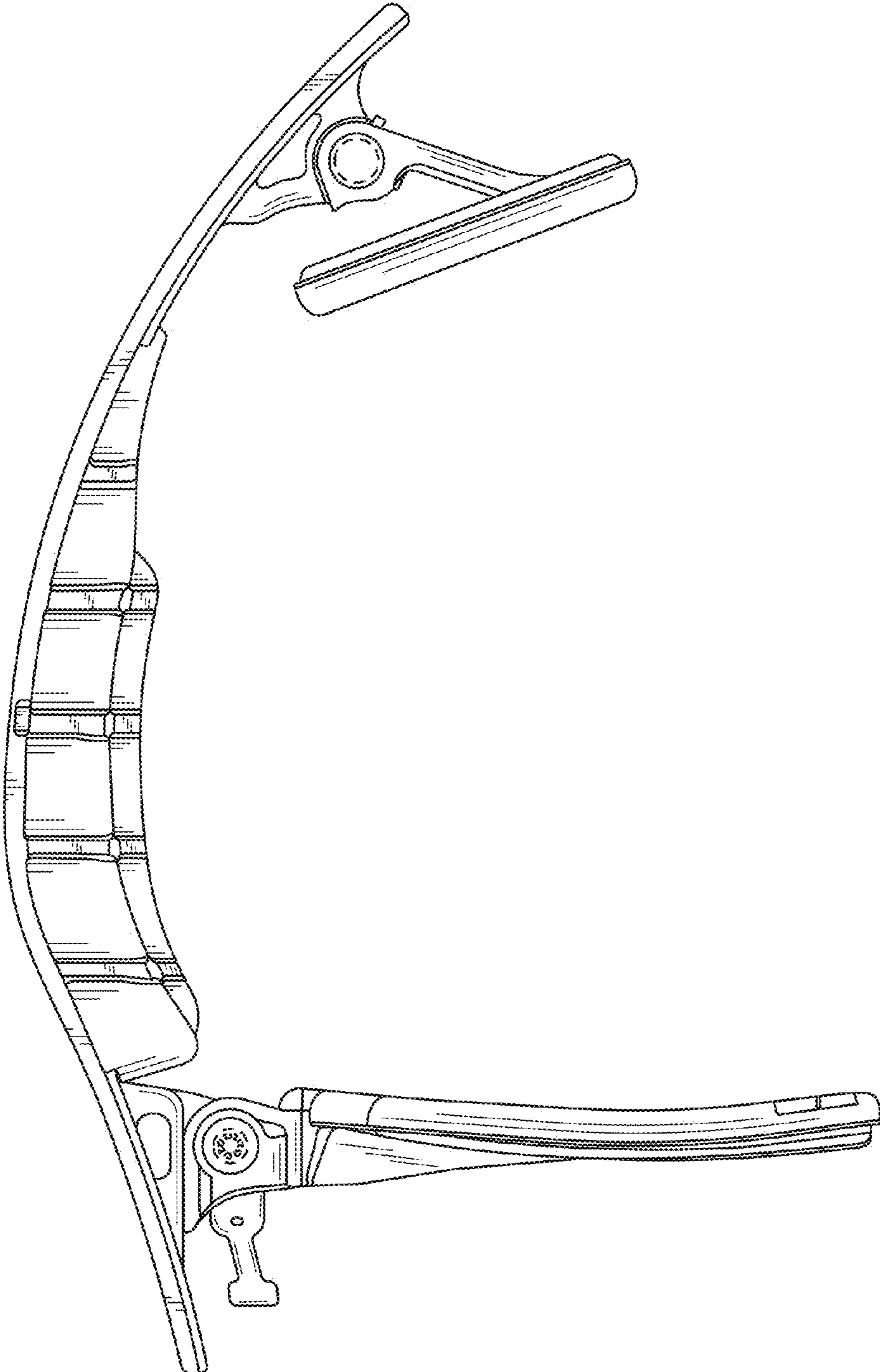


FIG. 5

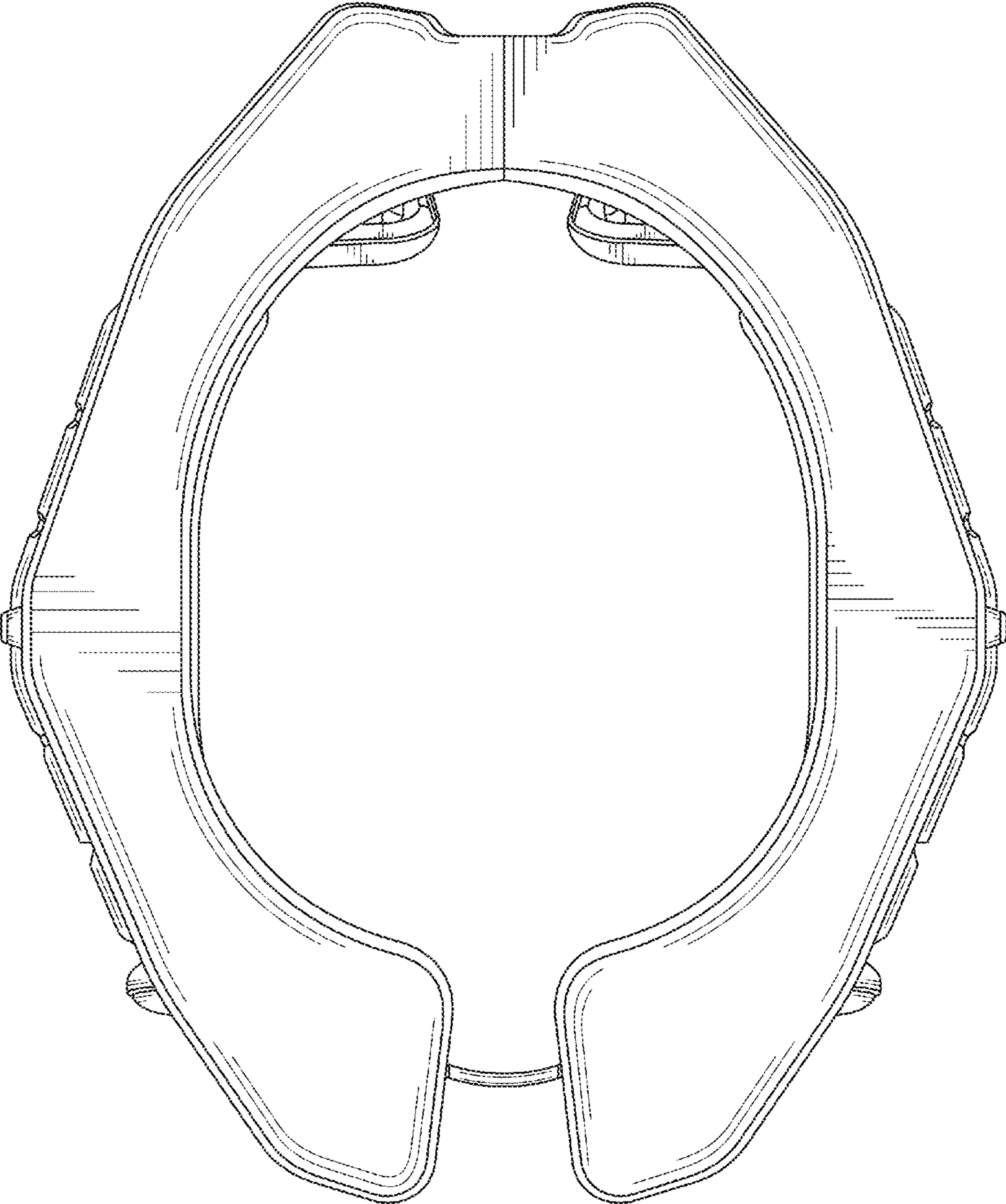


FIG. 6

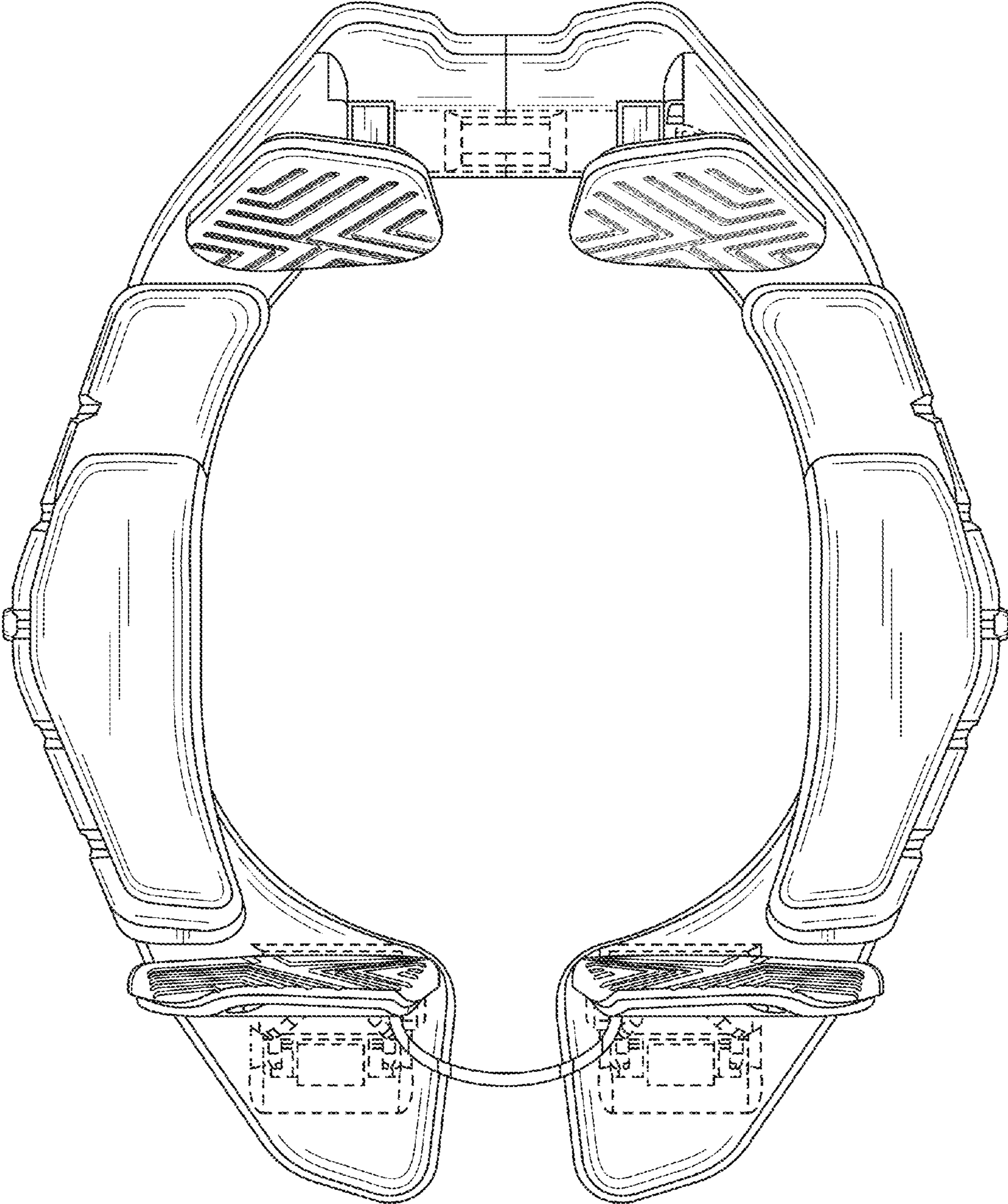


FIG. 7

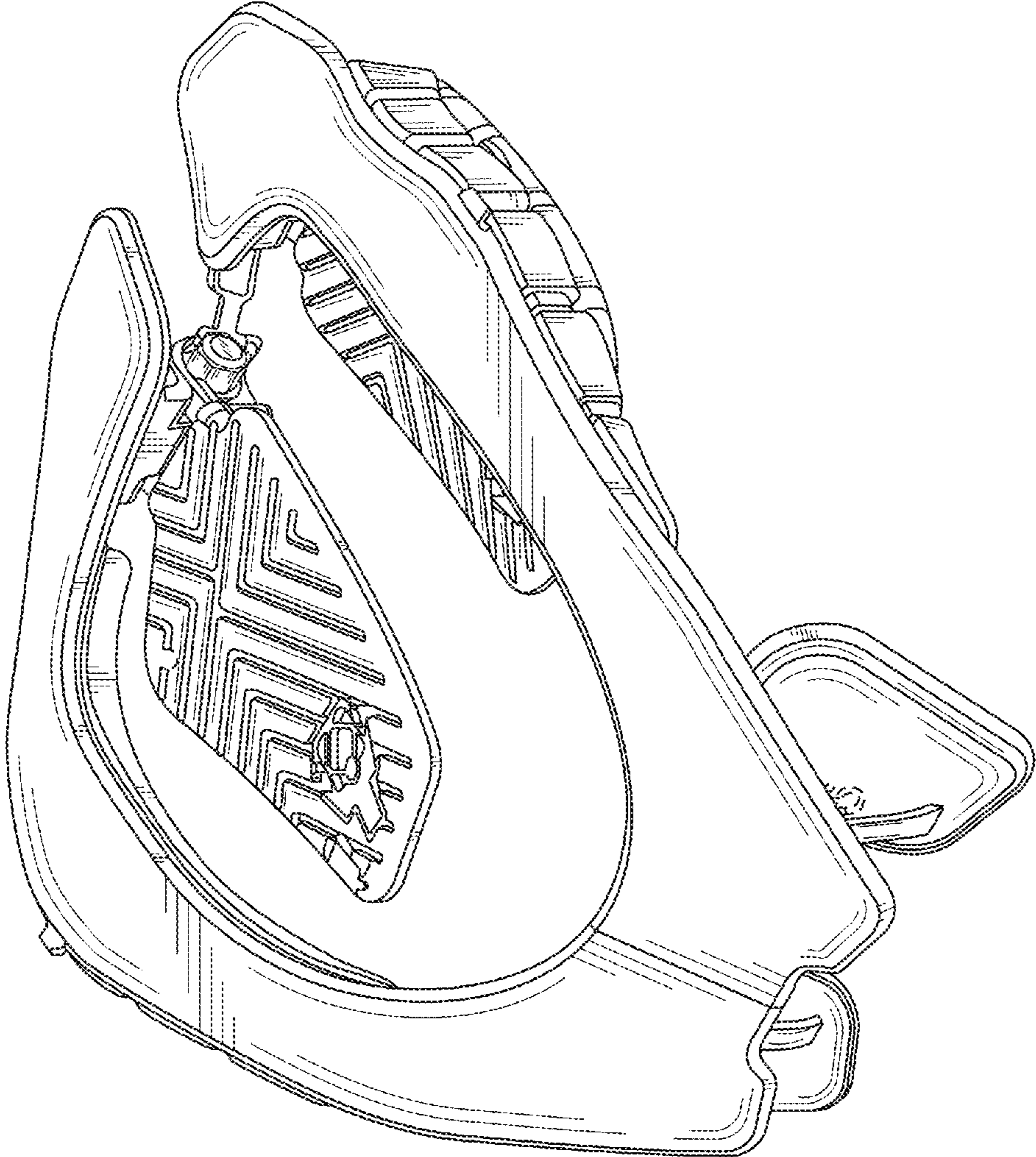


FIG. 8

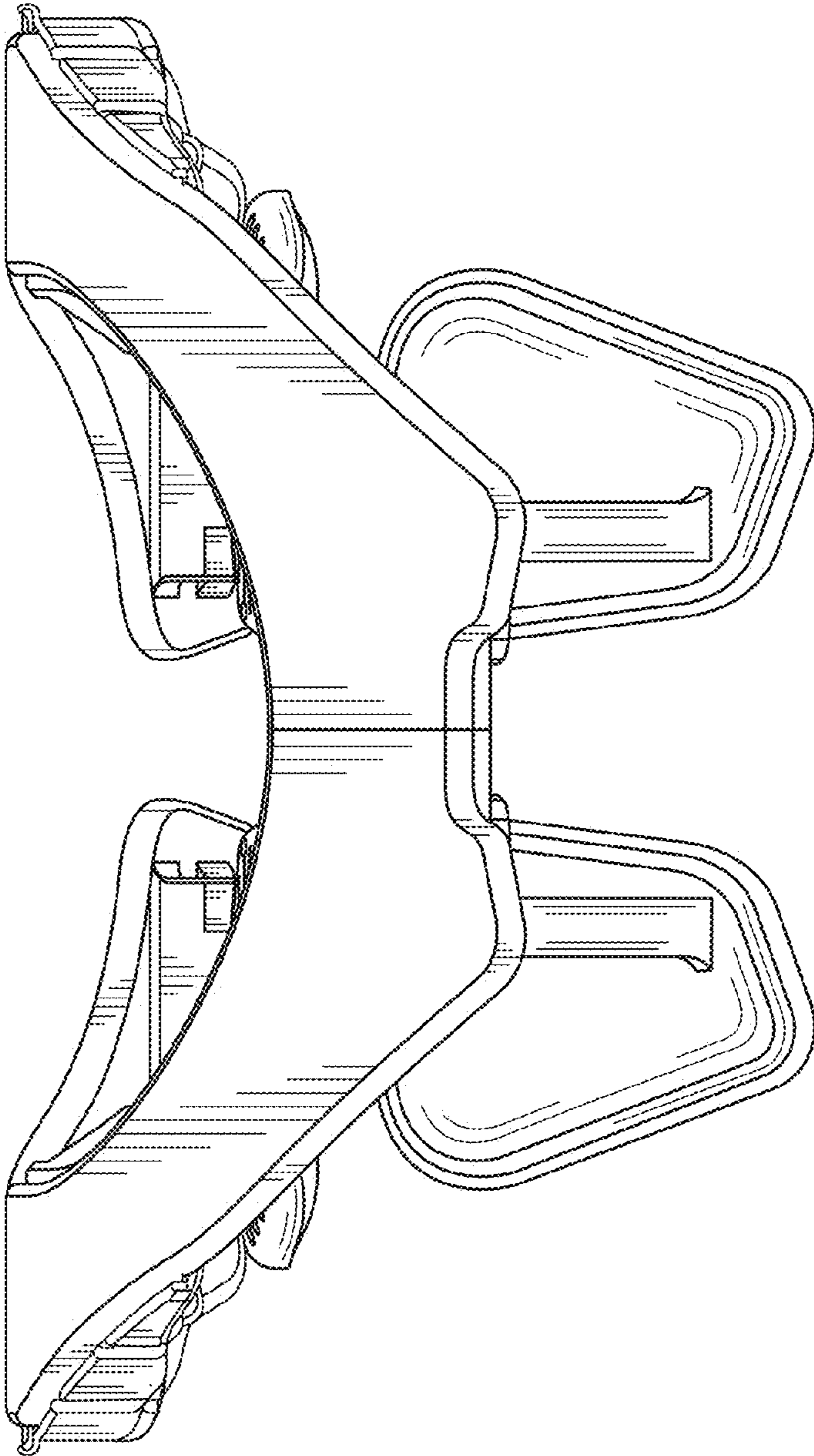


FIG. 9

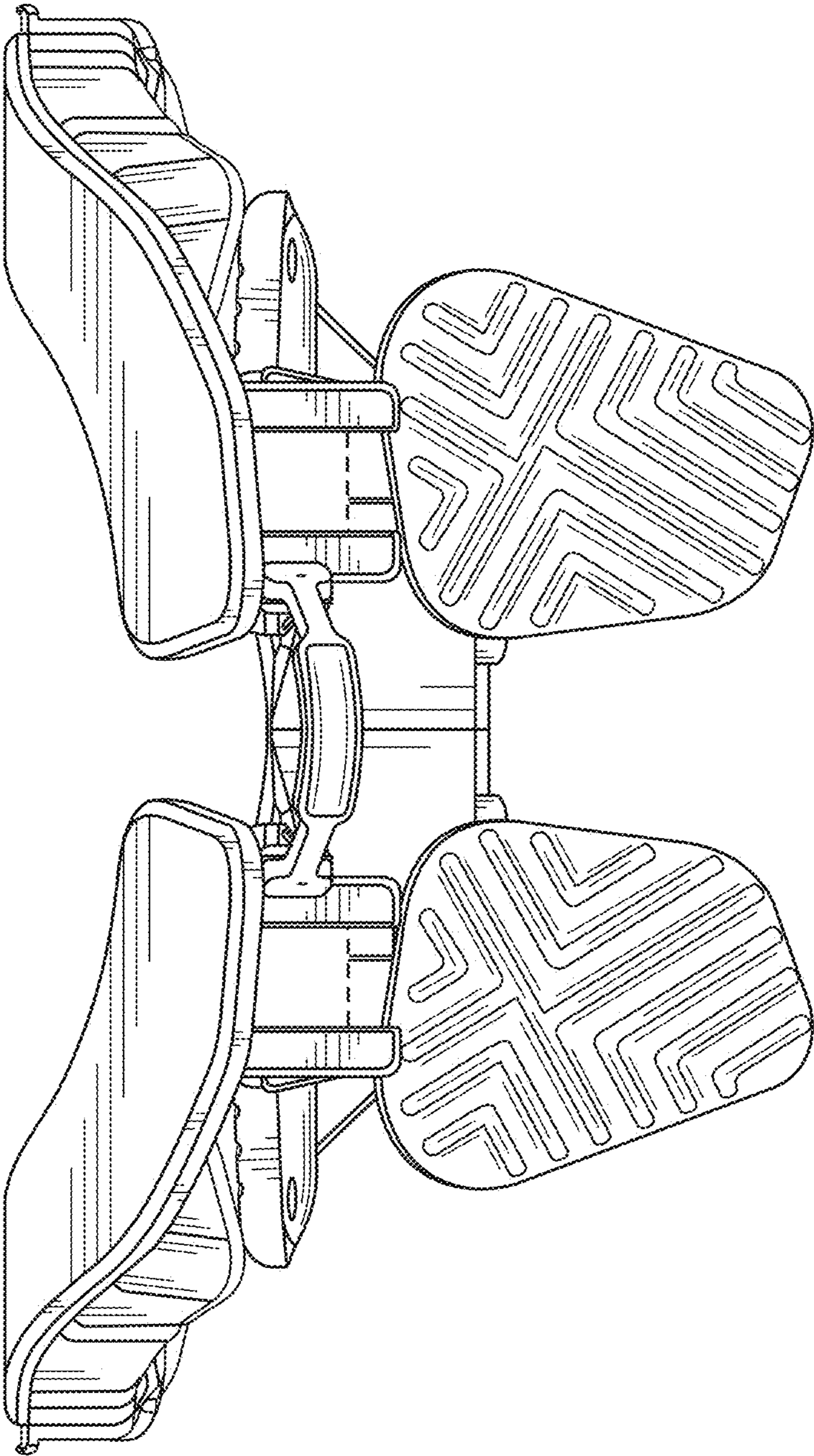


FIG. 10

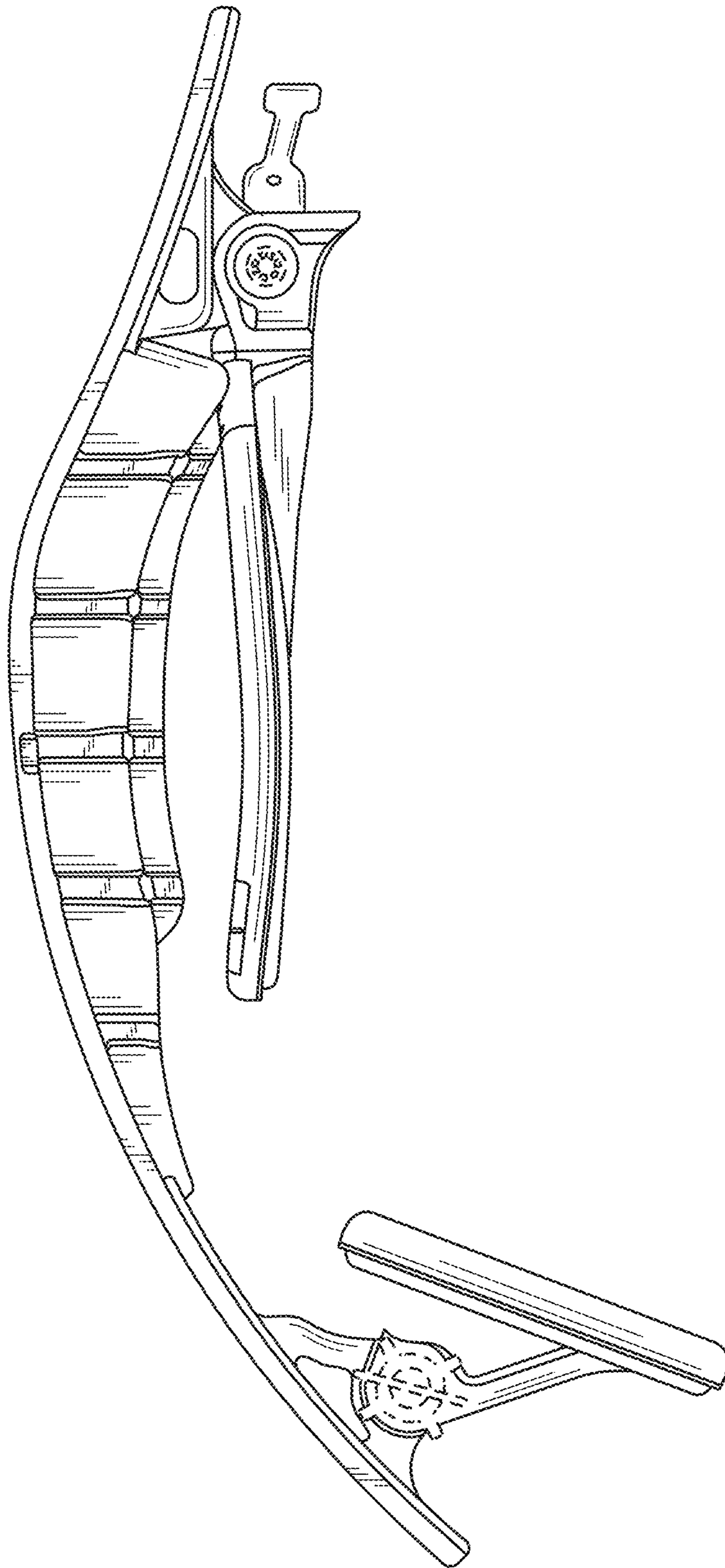


FIG. 11

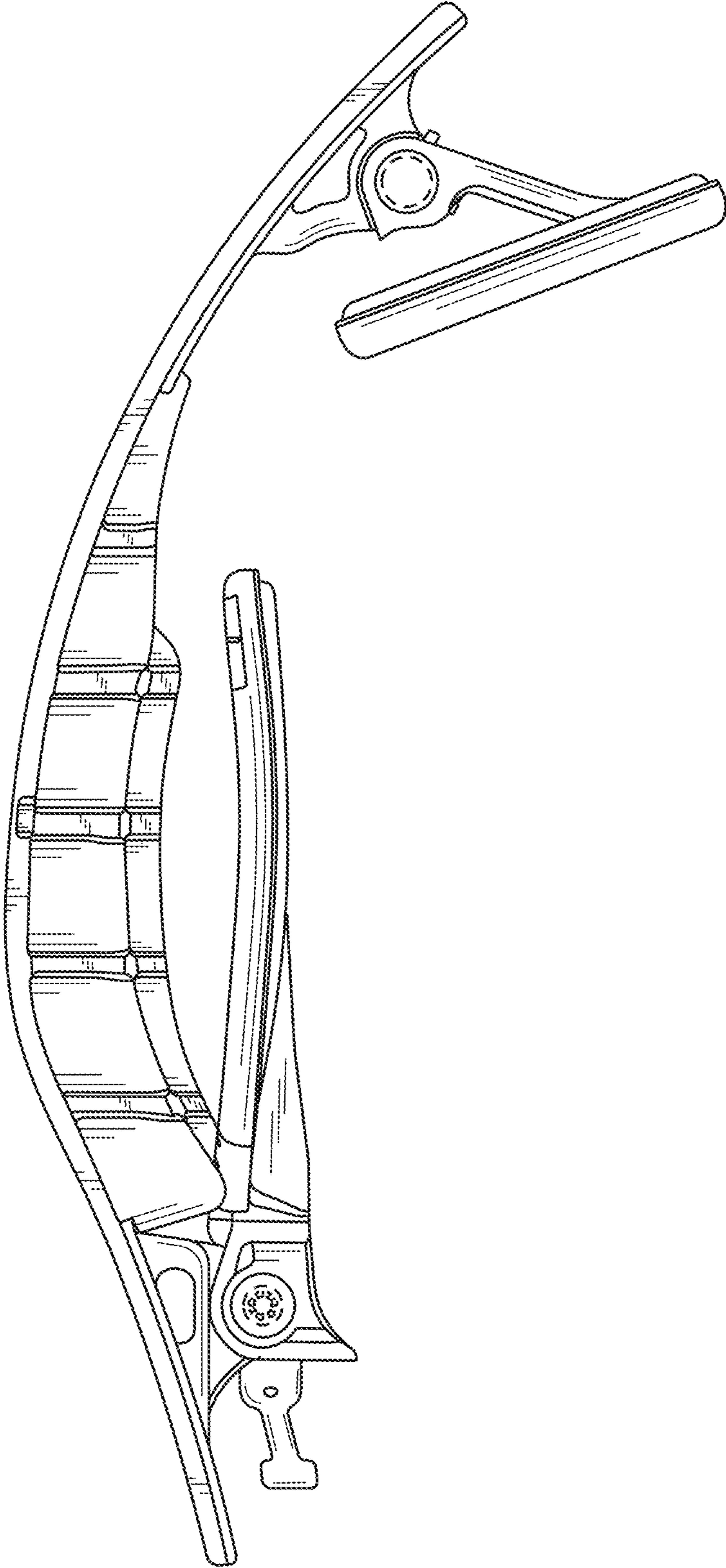


FIG. 12

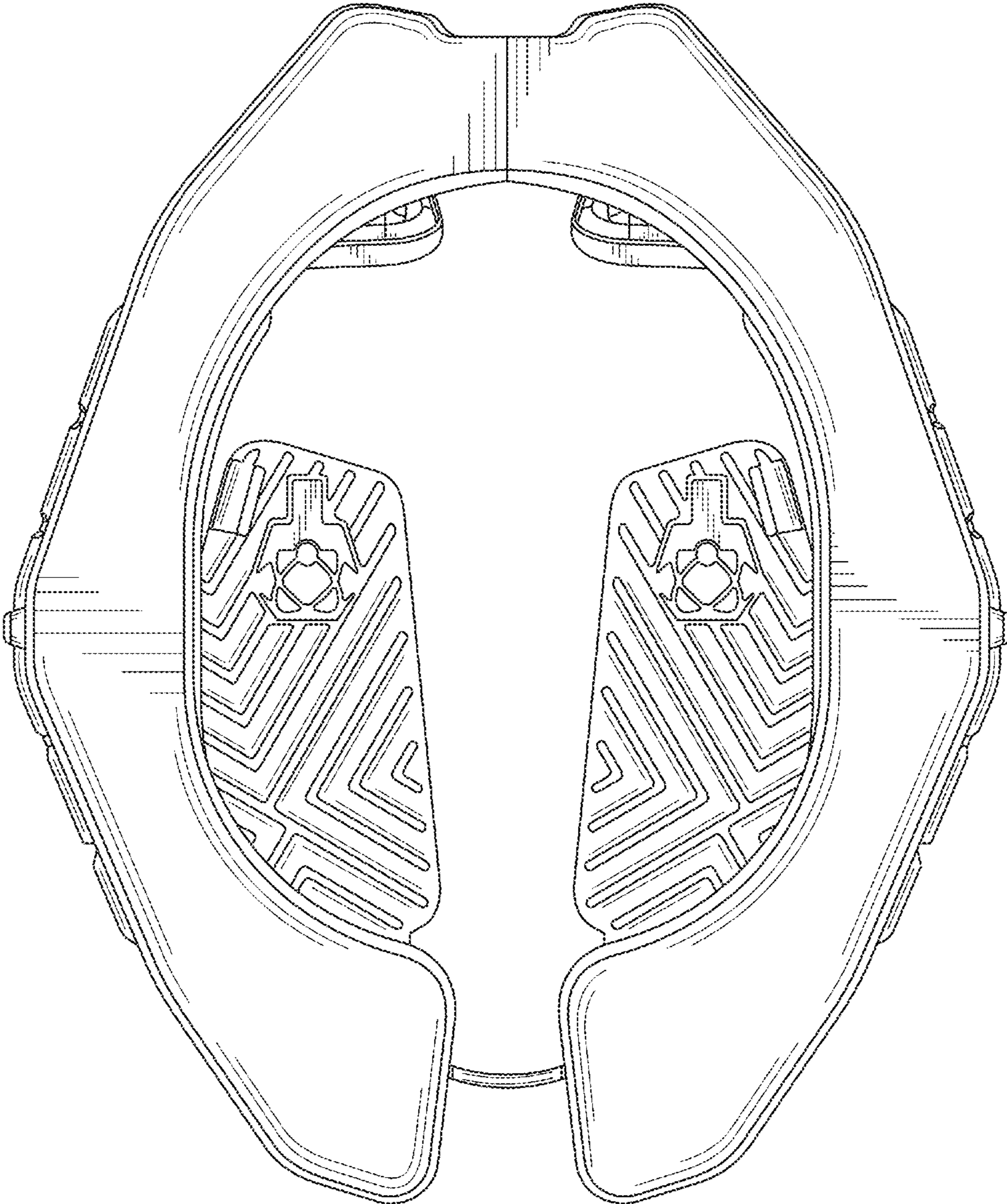


FIG. 13

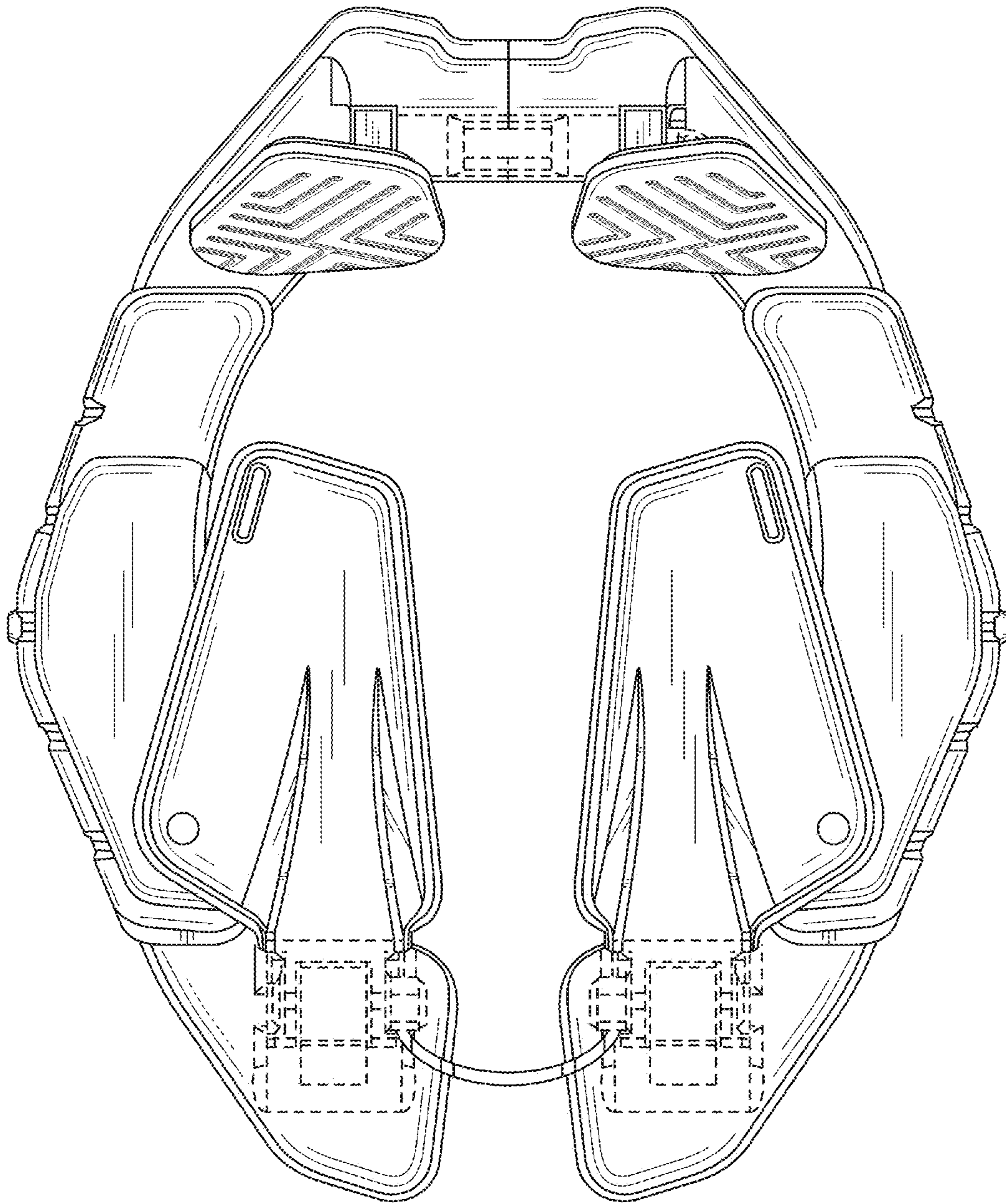


FIG. 14