



US00D757360S

(12) **United States Design Patent**
Artaud

(10) **Patent No.:** **US D757,360 S**

(45) **Date of Patent:** **** May 24, 2016**

- (54) **LIP TAPE**
- (71) Applicant: **Marsha Artaud**, San Diego, CA (US)
- (72) Inventor: **Marsha Artaud**, San Diego, CA (US)
- (**) Term: **14 Years**
- (21) Appl. No.: **29/513,529**
- (22) Filed: **Dec. 31, 2014**
- (51) **LOC (10) Cl.** **28-03**
- (52) **U.S. Cl.**
USPC **D28/7**
- (58) **Field of Classification Search**
USPC D28/4, 7, 9, 92, 93, 99; 132/285, 319,
132/320, 333; D19/37, 39, 40; D10/64;
D24/119, 206, 208; 607/109
CPC A45D 40/30; A45D 26/0014
See application file for complete search history.

- 3,870,055 A * 3/1975 Barbarow A45D 2/50
132/215
- 6,190,730 B1 * 2/2001 Matsos A45D 40/0087
132/320
- 6,240,842 B1 * 6/2001 Hailey A45D 40/30
101/114
- 6,701,938 B2 * 3/2004 Faragi A45D 40/30
132/319

* cited by examiner

Primary Examiner — Zenia Bennett

(74) *Attorney, Agent, or Firm* — Dale F. Regelman; Quarles & Brady LLP

(57) **CLAIM**

The ornamental design for a lip tape, as shown and described.

DESCRIPTION

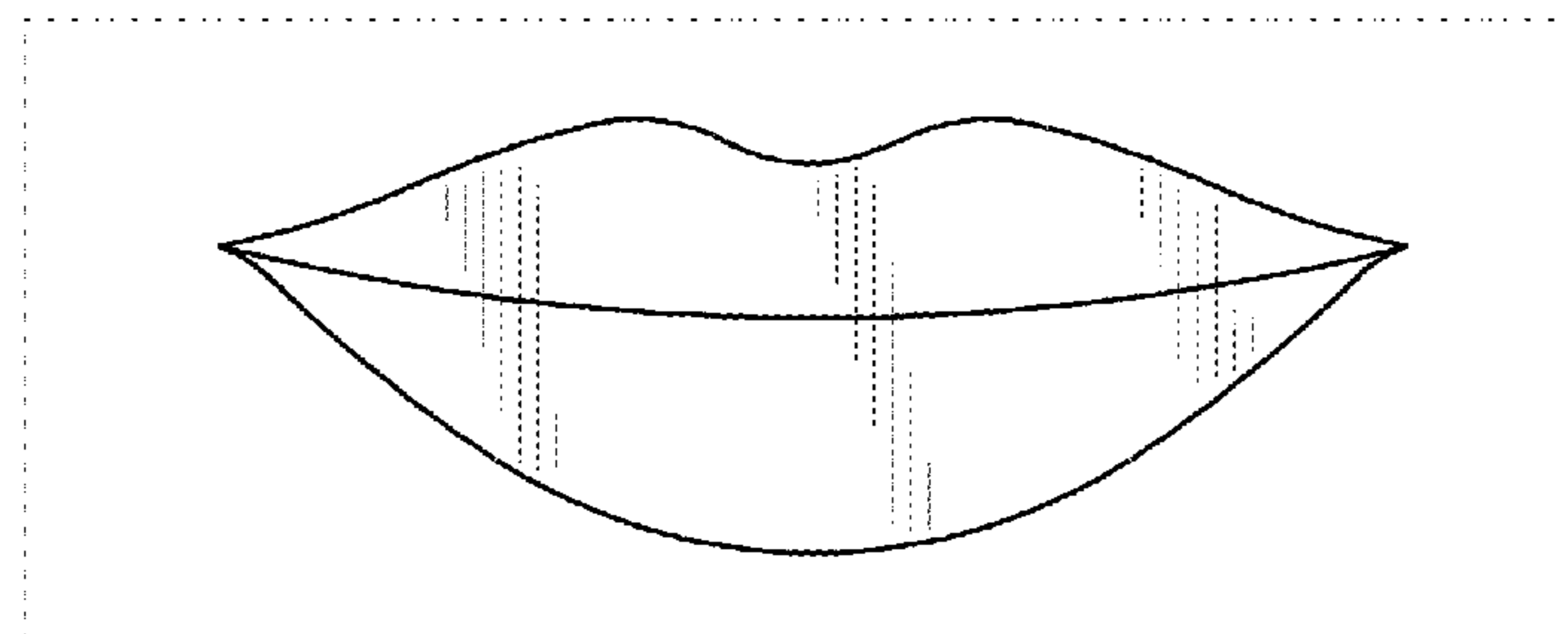
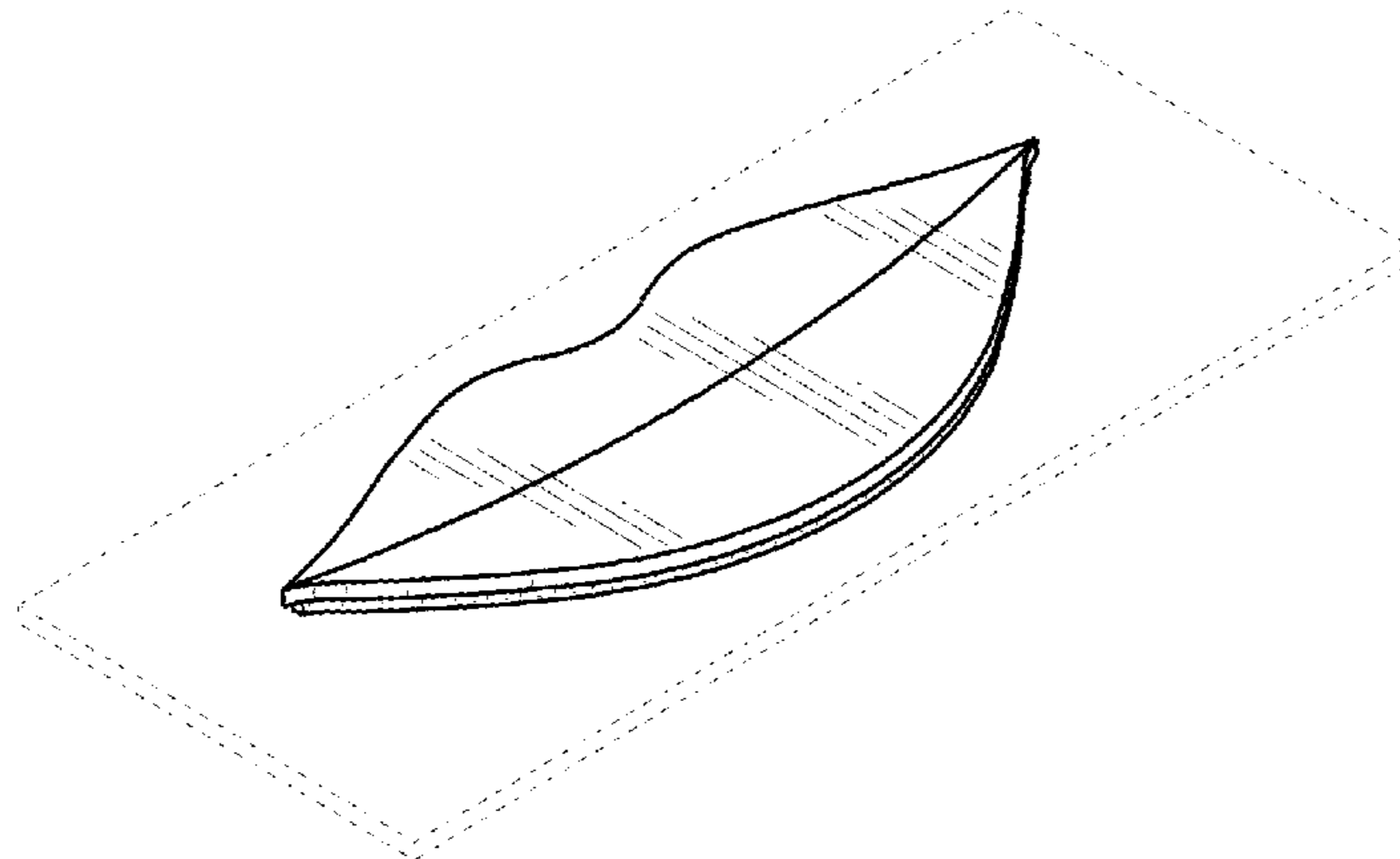
FIG. 1 is a perspective view of the design of this invention;
 FIG. 2 is a top view;
 FIG. 3 is a bottom view;
 FIG. 4 is a side view;
 FIG. 5 is a second side view;
 FIG. 6 is a third and fourth view; and,
 FIG. 7 is another perspective view thereof.
 The broken lines in the drawing are for illustrative purposes only and form no part of the claimed design.

1 Claim, 3 Drawing Sheets

(56) **References Cited**

U.S. PATENT DOCUMENTS

- 2,735,435 A * 2/1956 Feinstein A45D 40/30
132/320
- D201,168 S * 5/1965 Milton D28/7
- D203,917 S * 2/1966 Milton D28/7
- 3,858,589 A * 1/1975 Geiger A45D 24/36
132/214



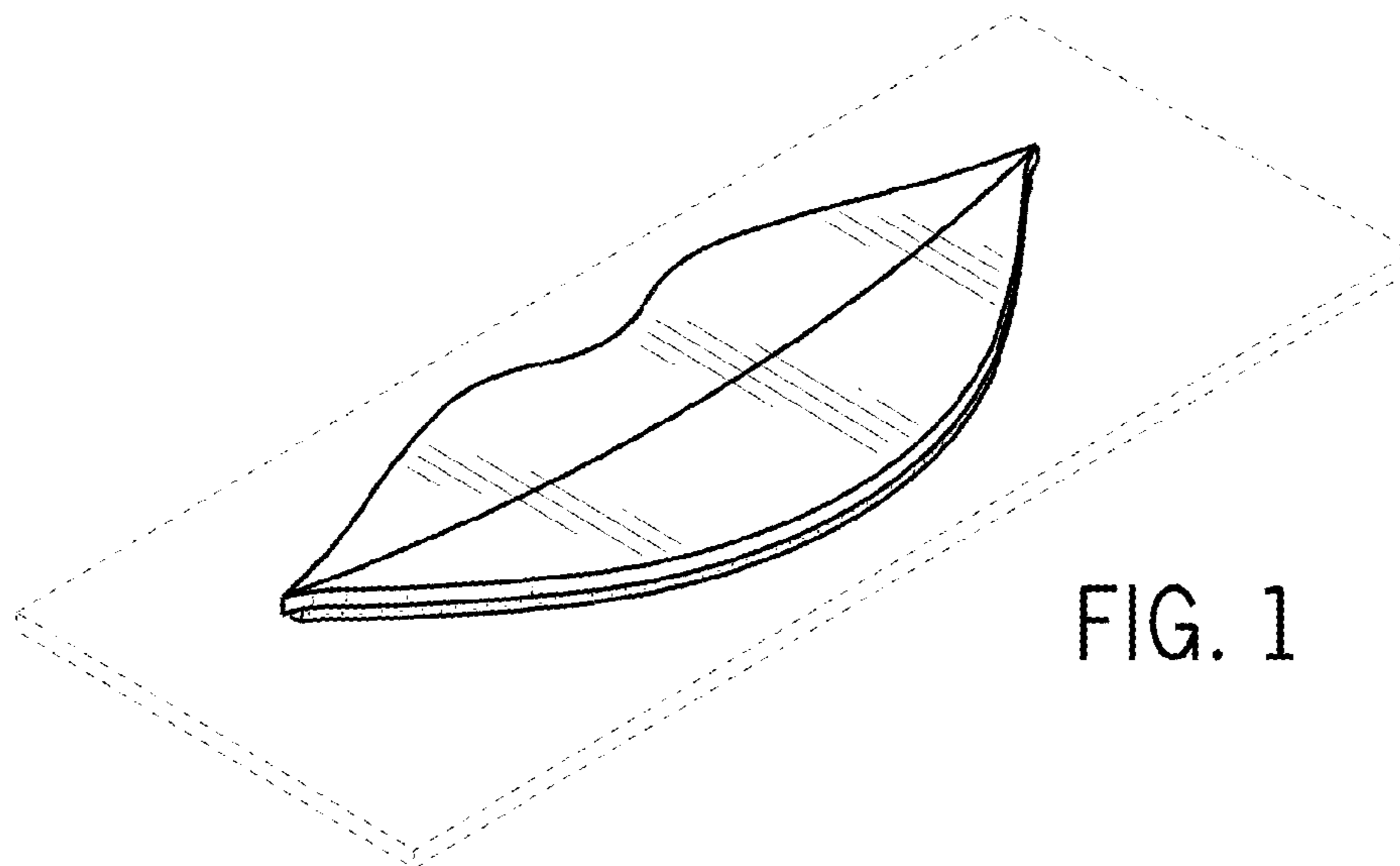


FIG. 1

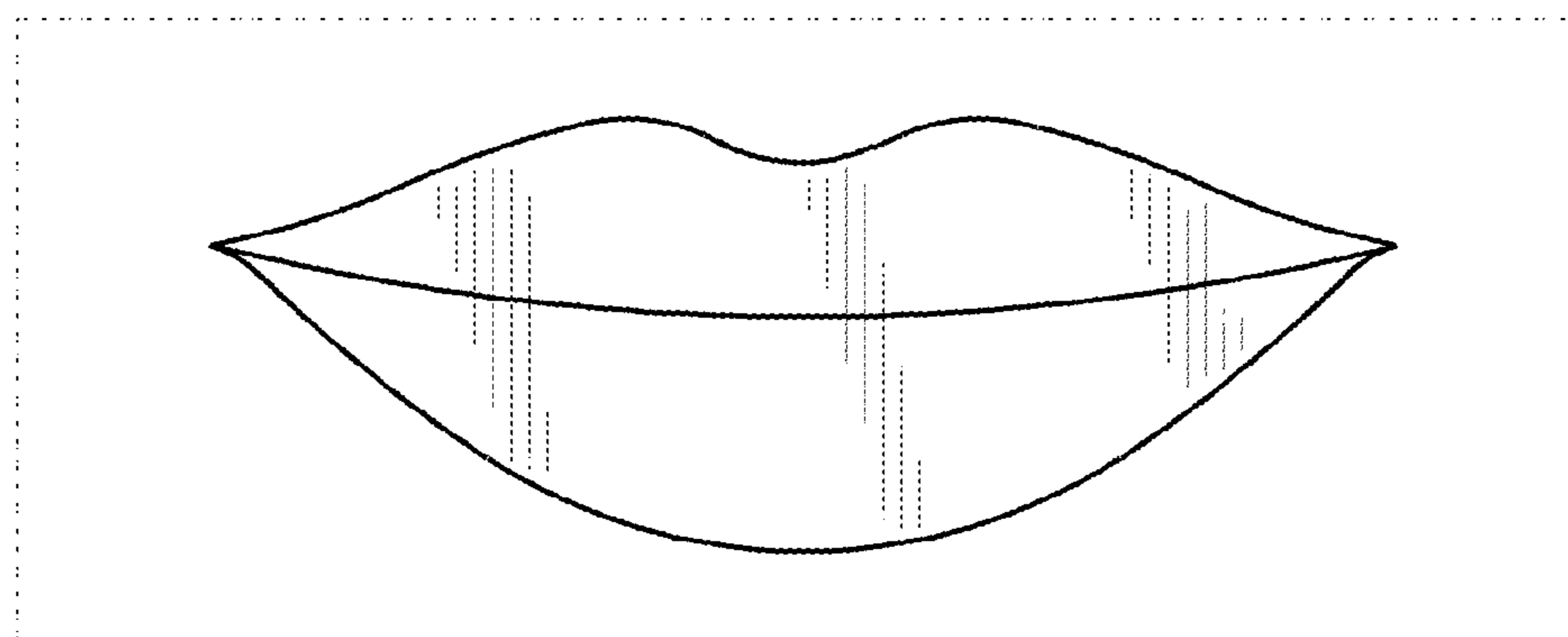


FIG. 2

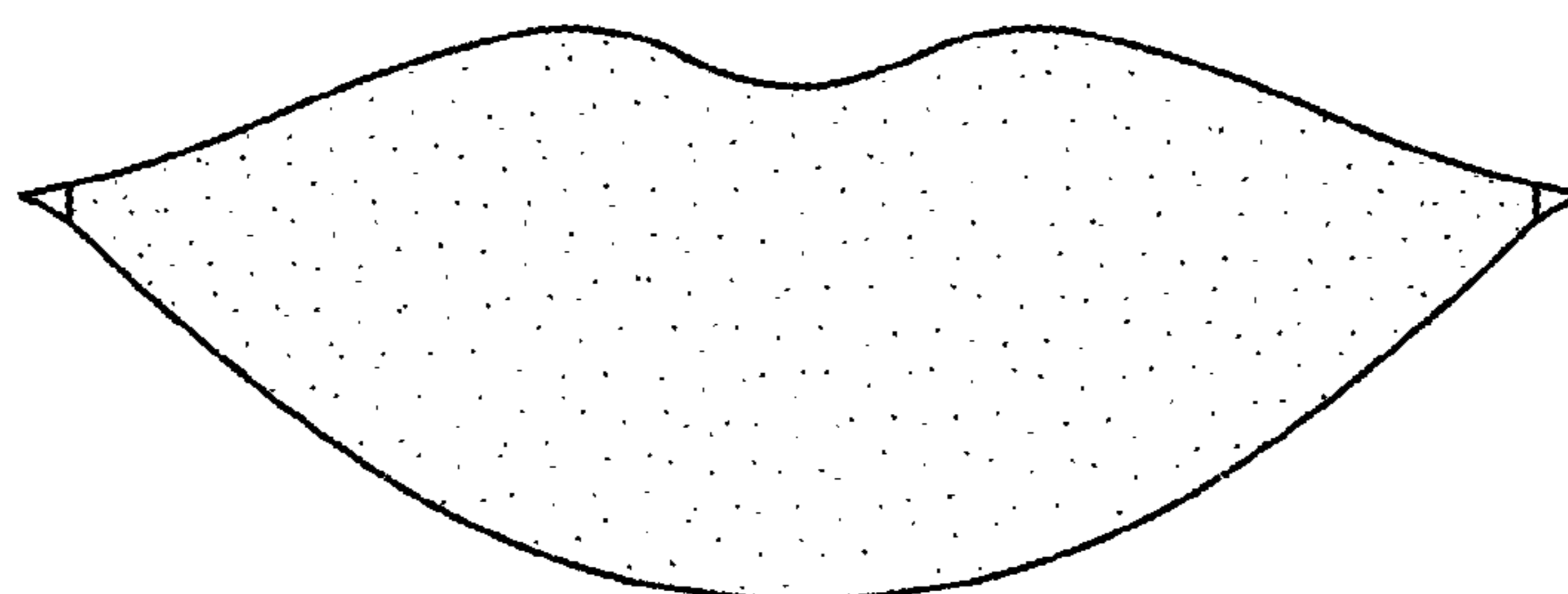


FIG. 3

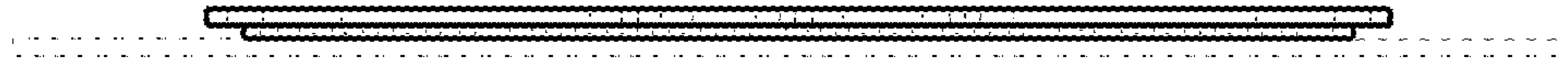


FIG. 4

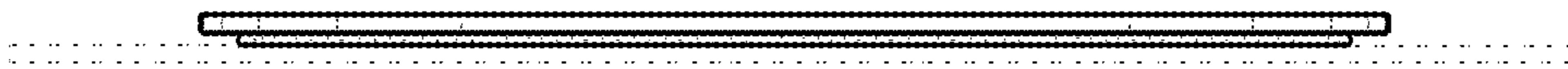


FIG. 5

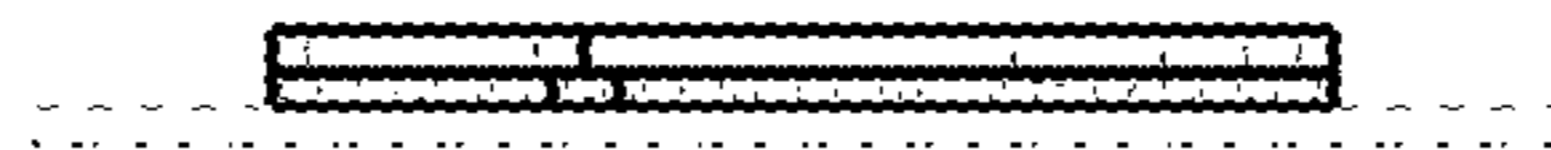


FIG. 6

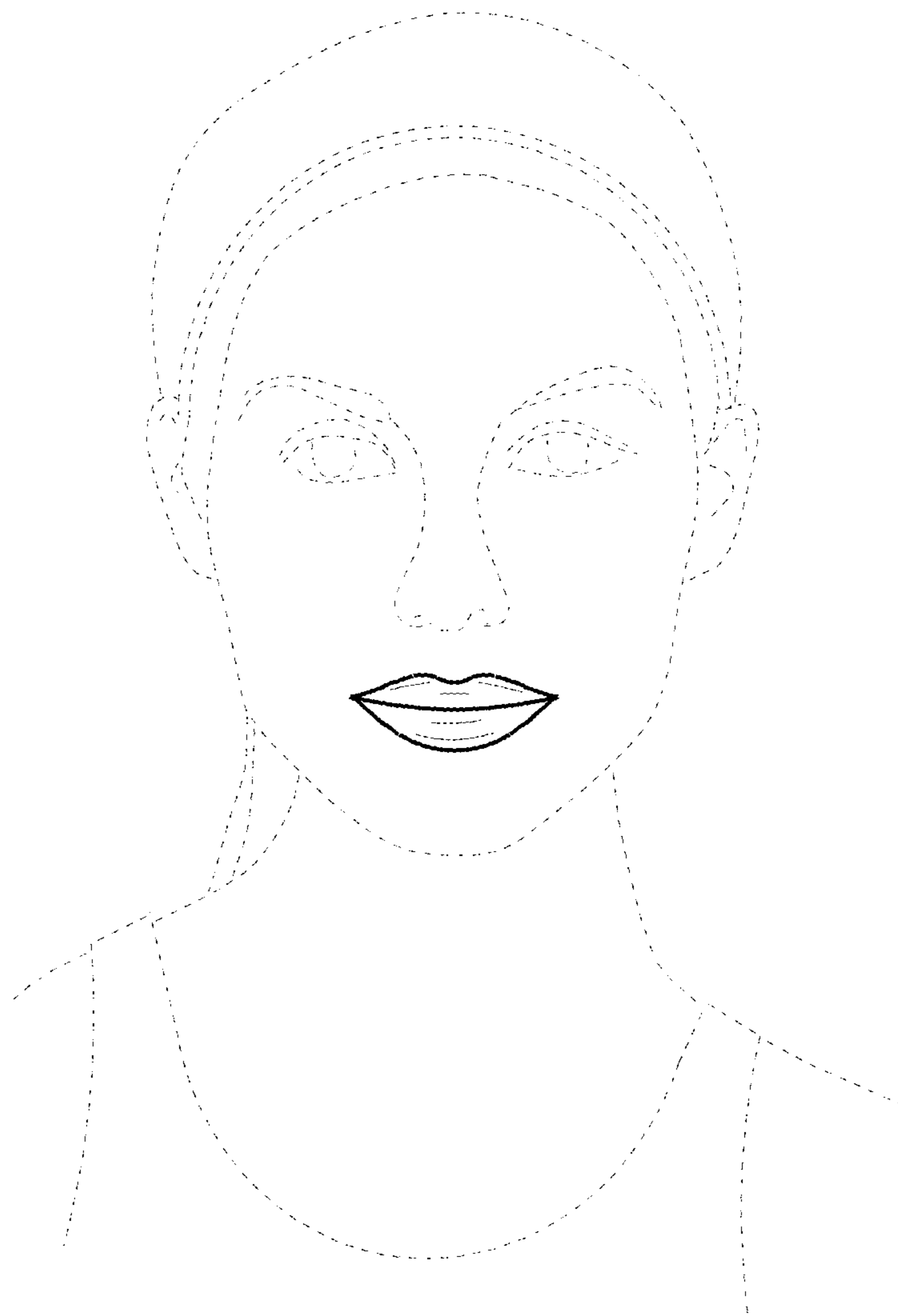


FIG. 7