

US00D757356S

(12) **United States Design Patent**
Liu

(10) **Patent No.:** **US D757,356 S**

(45) **Date of Patent:** **** May 24, 2016**

(54) **ELECTRONIC HOOKAH BOWL**

(71) Applicant: **Qiuming Liu**, Shenzhen (CN)

(72) Inventor: **Qiuming Liu**, Shenzhen (CN)

(73) Assignee: **KIMREE HI-TECH INC.**, Roadtown,
Tortola (VG)

(**) Term: **14 Years**

(21) Appl. No.: **29/477,471**

(22) Filed: **Dec. 23, 2013**

(30) **Foreign Application Priority Data**

Dec. 10, 2013 (CN) 2013 3 0612419

(51) **LOC (10) Cl.** **27-02**

(52) **U.S. Cl.**
USPC **D27/167; D27/162**

(58) **Field of Classification Search**
USPC D27/106, 162–169, 194, 101;
131/220–222, 226, 173, 174, 194,
131/329–330; D7/584, 585; D9/500, 502;
D11/143, 144, 146, 152

CPC A24F 1/30

See application file for complete search history.

(56) **References Cited**

U.S. PATENT DOCUMENTS

D539,978 S * 4/2007 Kassir D27/162

D561,388 S * 2/2008 Kassir D27/162

D584,853 S * 1/2009 Kassir D27/162
D632,426 S * 2/2011 Badawi D27/162
8,464,725 B2 * 6/2013 Badawi A24D 1/14
131/173
D686,775 S * 7/2013 Mehio D27/162
D710,052 S * 7/2014 Lanča D27/162
D724,783 S * 3/2015 Liu D27/162
D731,113 S * 6/2015 Wu D27/101
2007/0215164 A1 * 9/2007 Mehio A24F 1/30
131/173

* cited by examiner

Primary Examiner — Janice Hallmark

(74) *Attorney, Agent, or Firm* — Ohlandt, Greeley, Ruggiero
& Perle, L.L.P.

(57) **CLAIM**

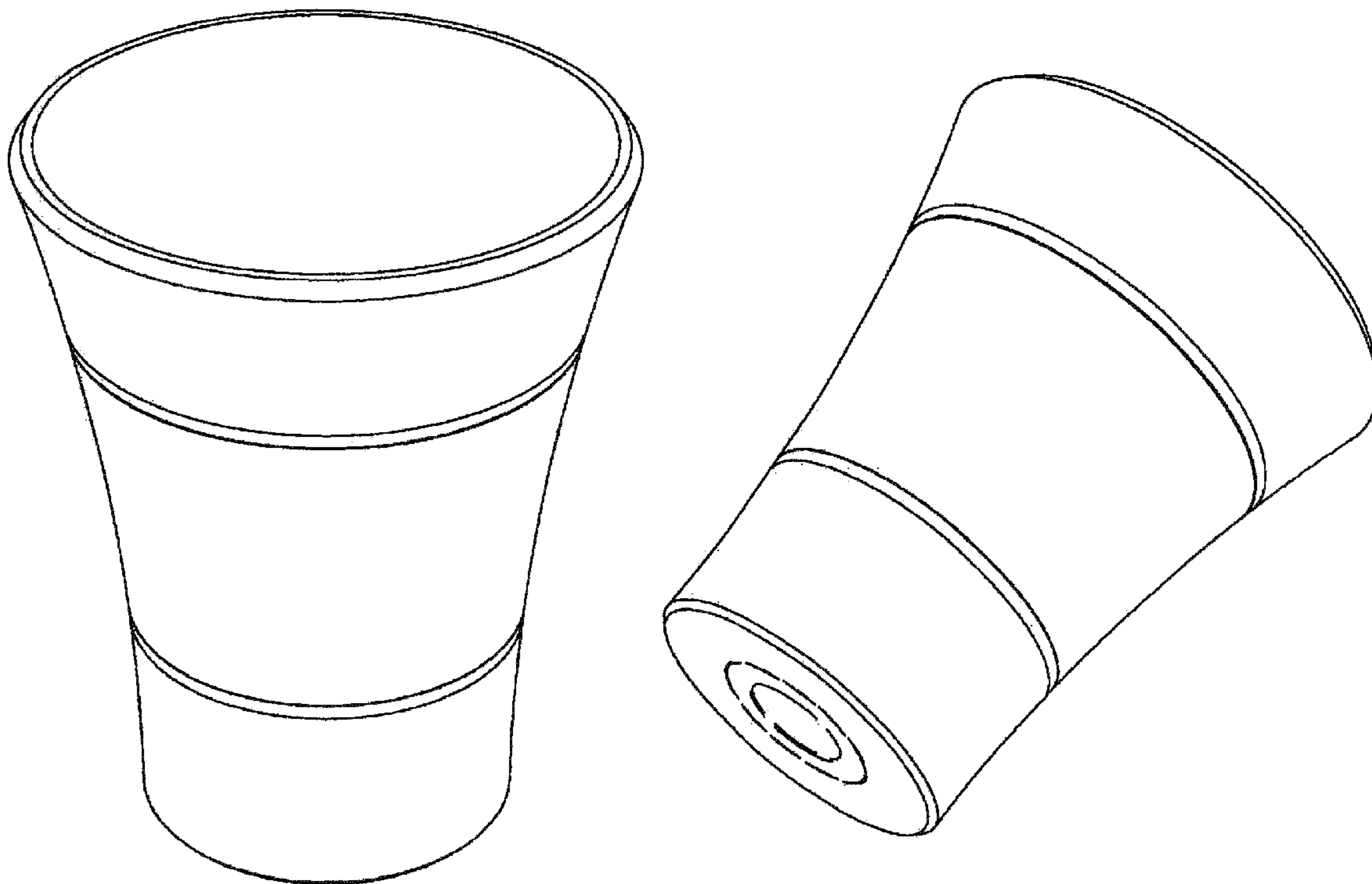
The ornamental design for an electronic hookah bowl, as shown and described.

DESCRIPTION

FIG. 1 is a front view of an electronic hookah bowl showing my new design;
FIG. 2 is a rear view thereof;
FIG. 3 is a left view thereof;
FIG. 4 is a right view thereof;
FIG. 5 is a top view thereof;
FIG. 6 is a bottom view thereof;
FIG. 7 is a first perspective view thereof; and,
FIG. 8 is a second perspective view thereof.

The broken lines in the drawings depict parts of the electronic hookah bowl that form no part of the claimed design.

1 Claim, 8 Drawing Sheets



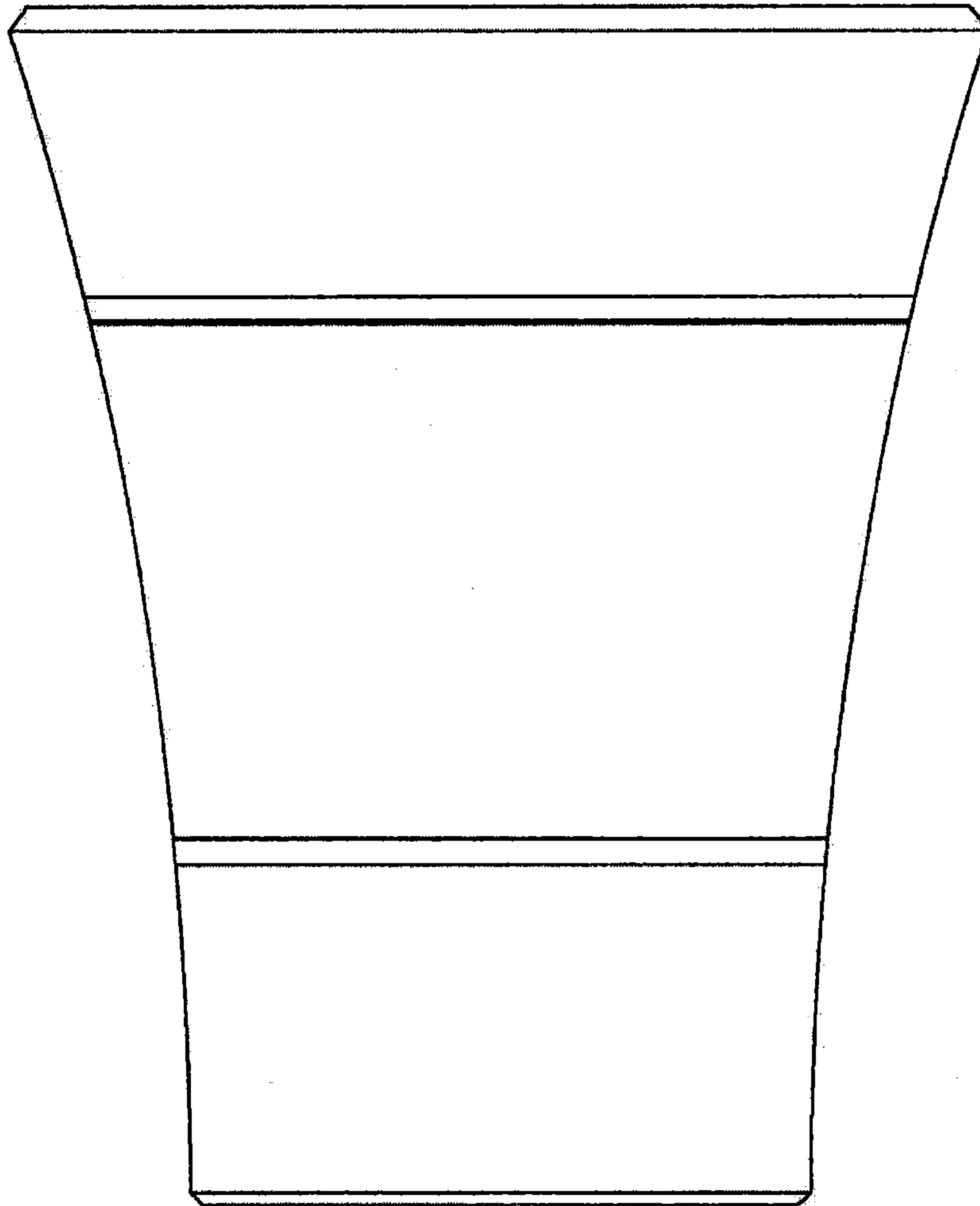


Fig. 1

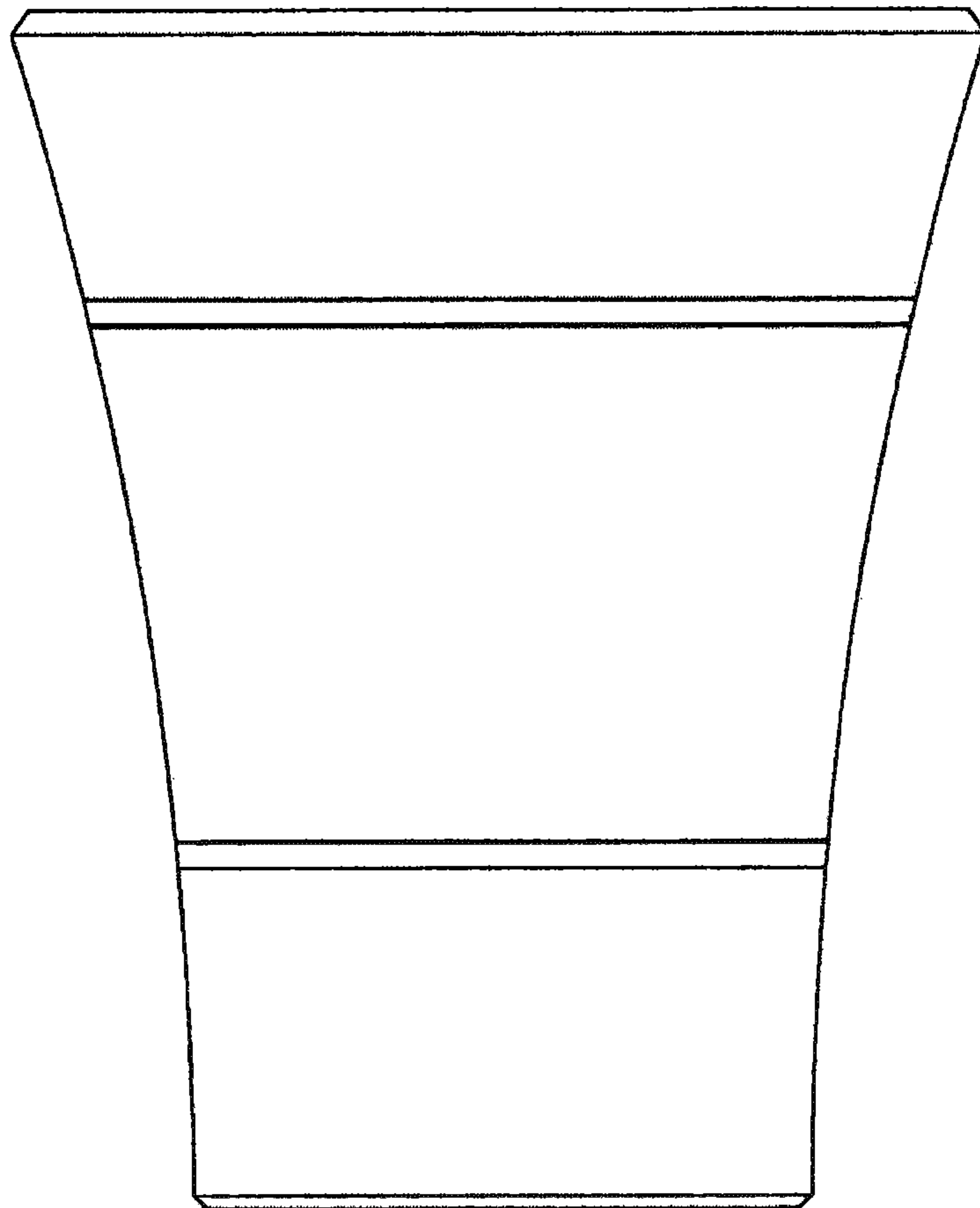


Fig. 2

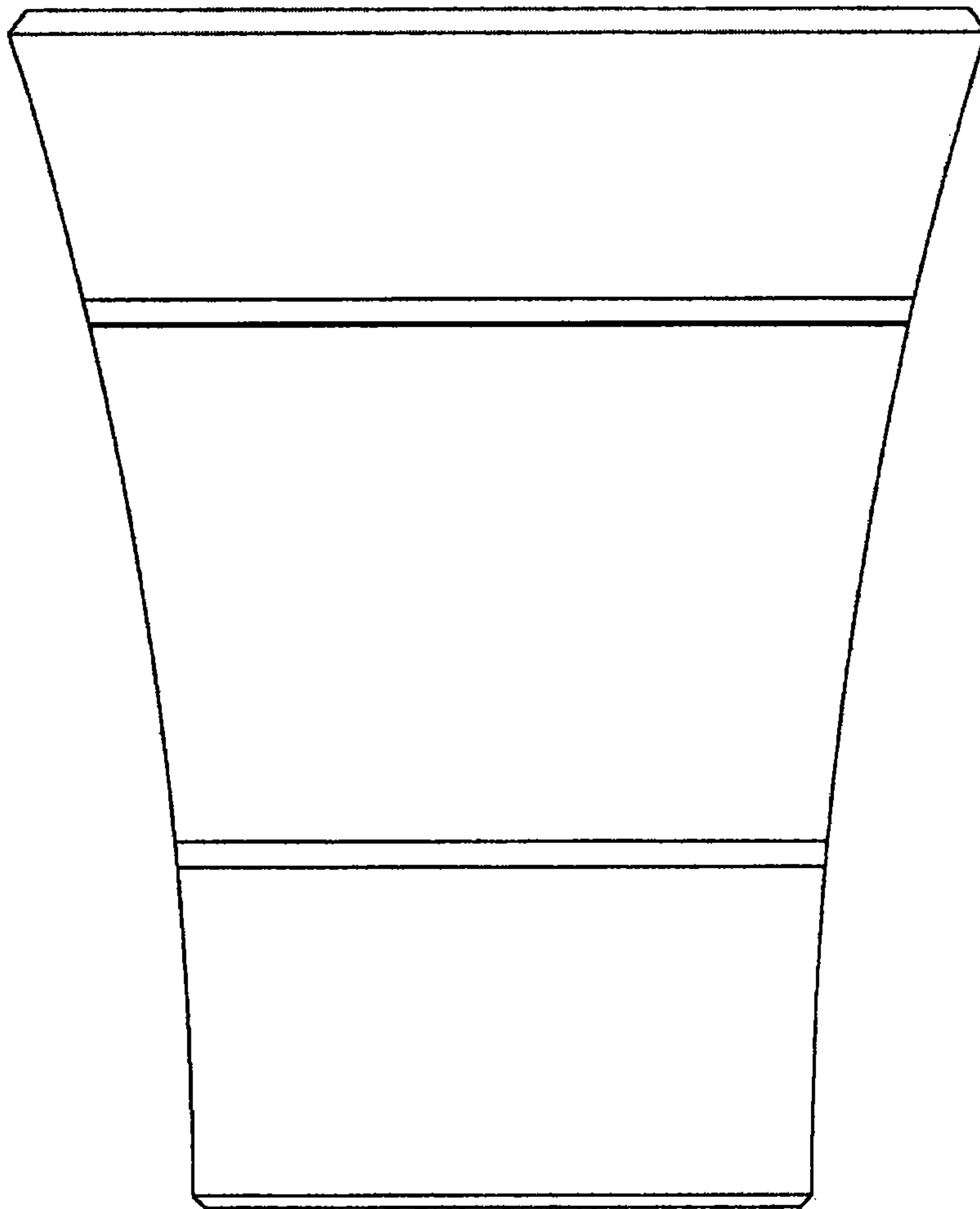


Fig. 3

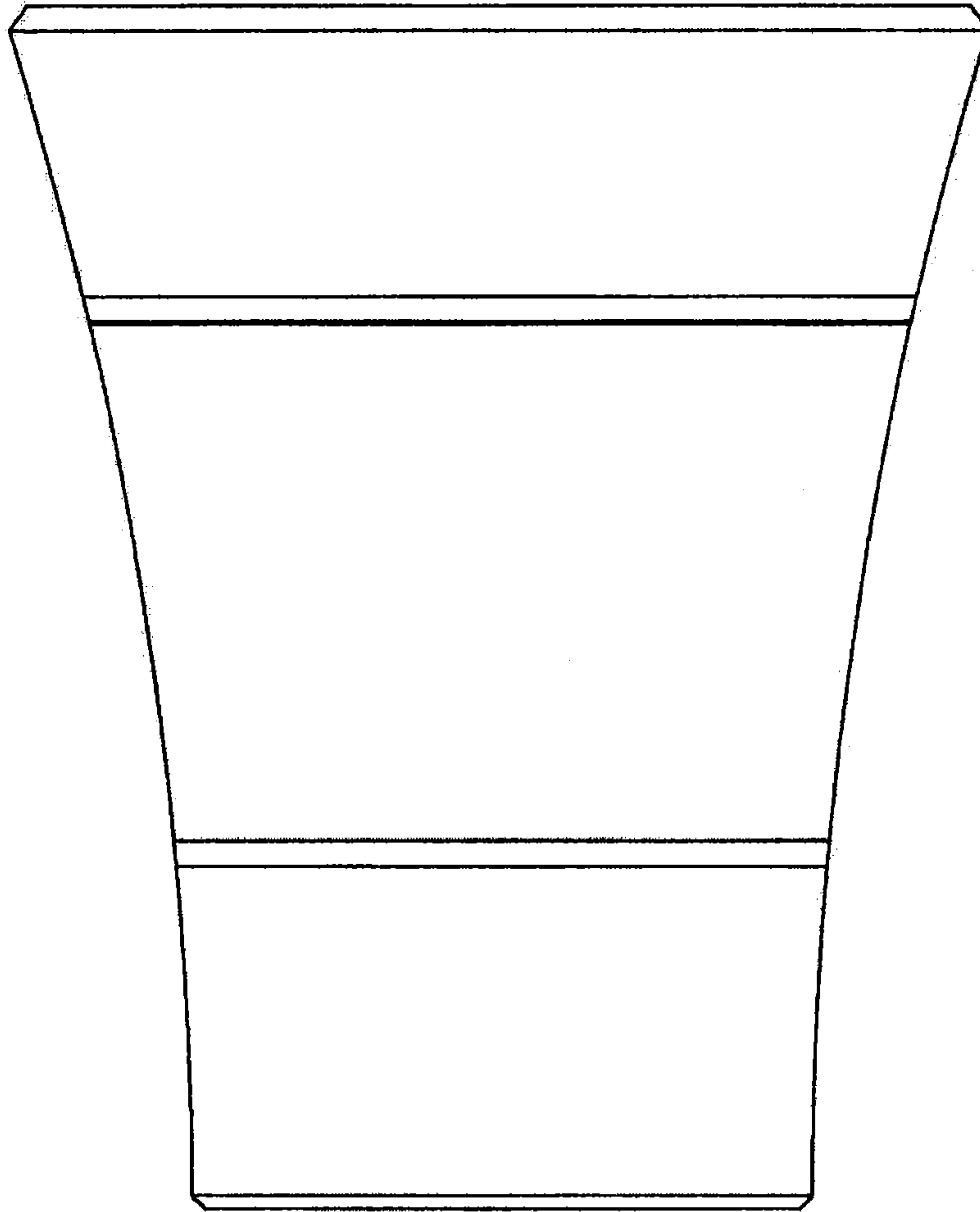


Fig. 4

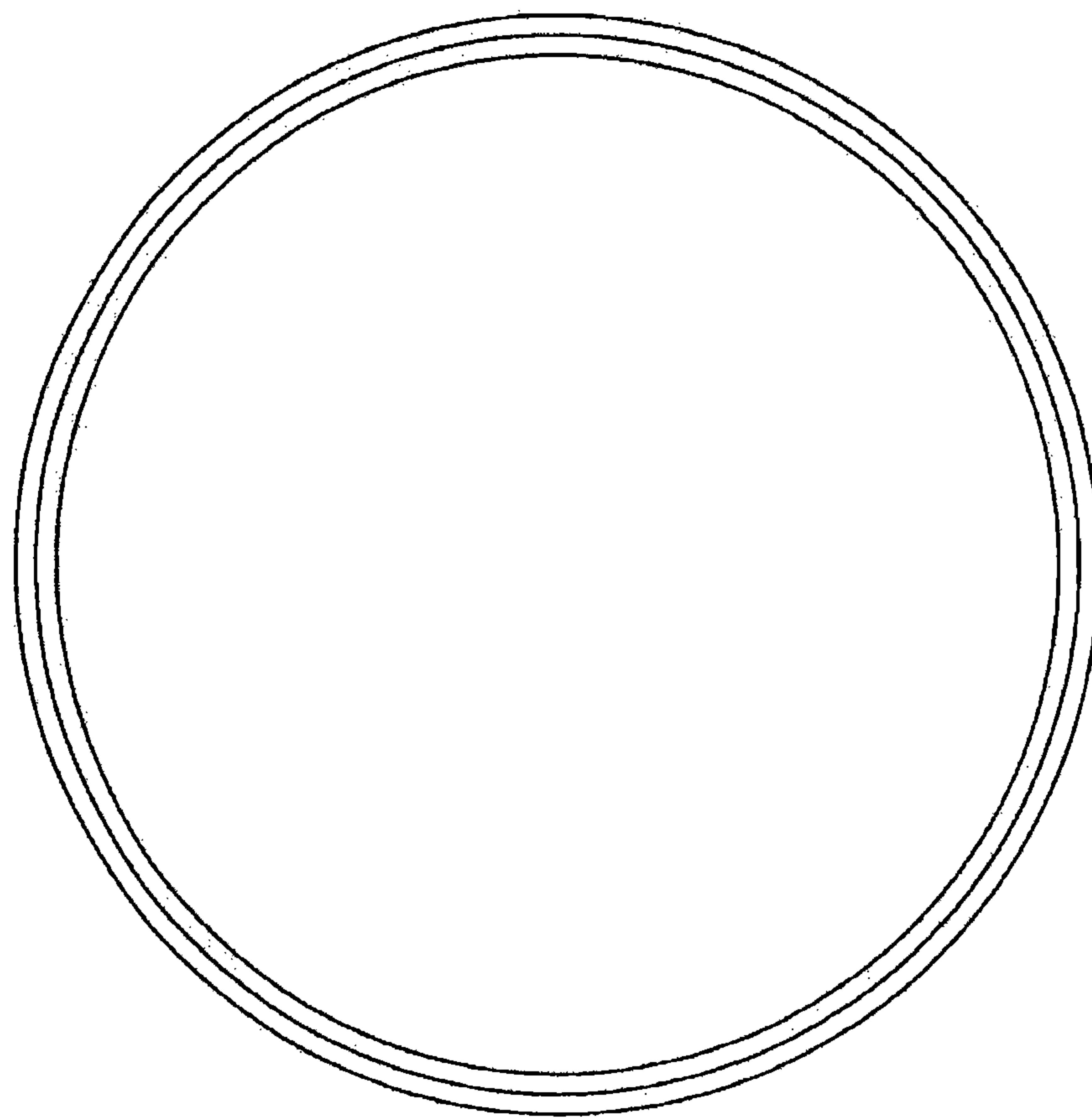


Fig. 5

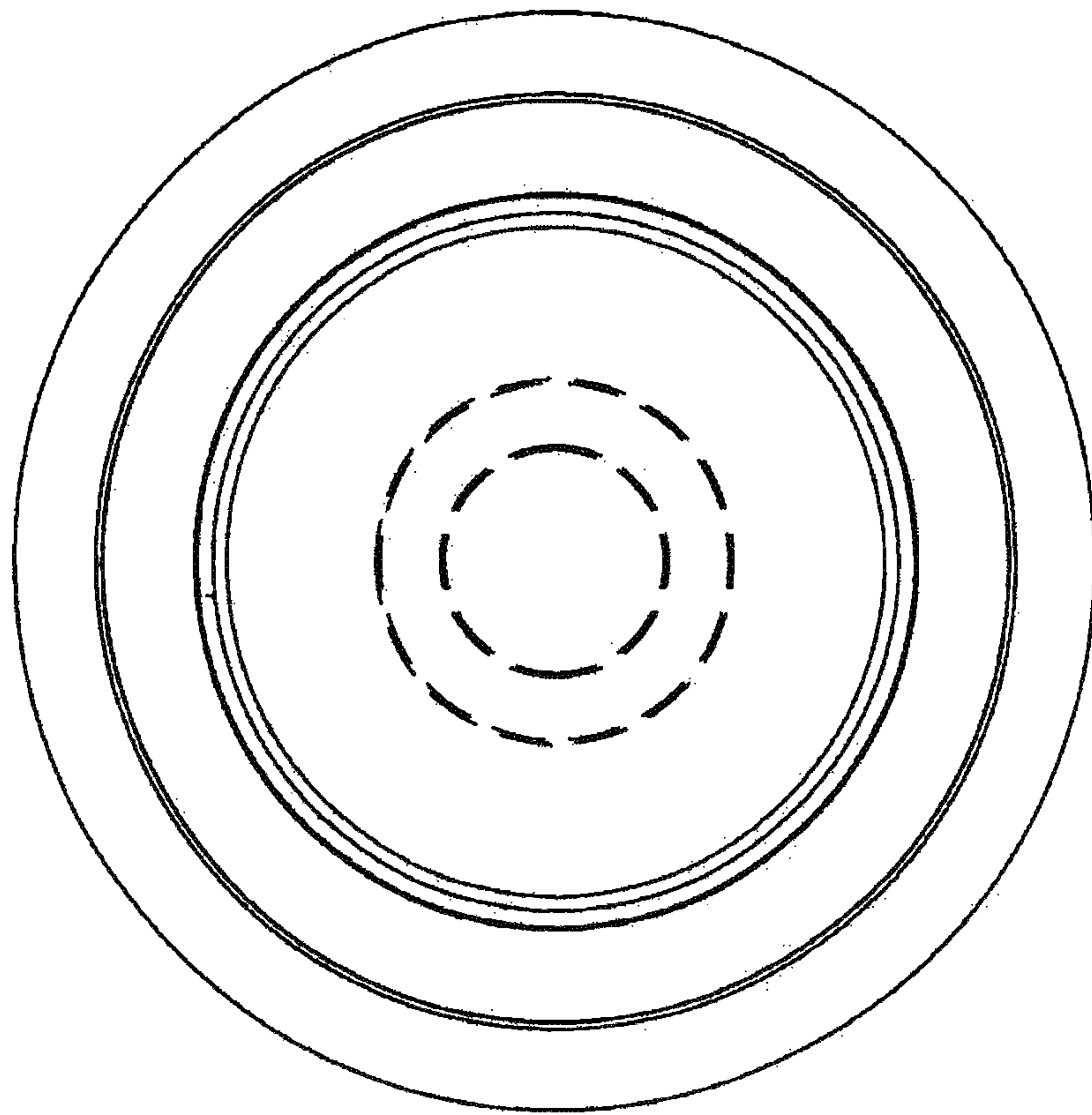


Fig. 6

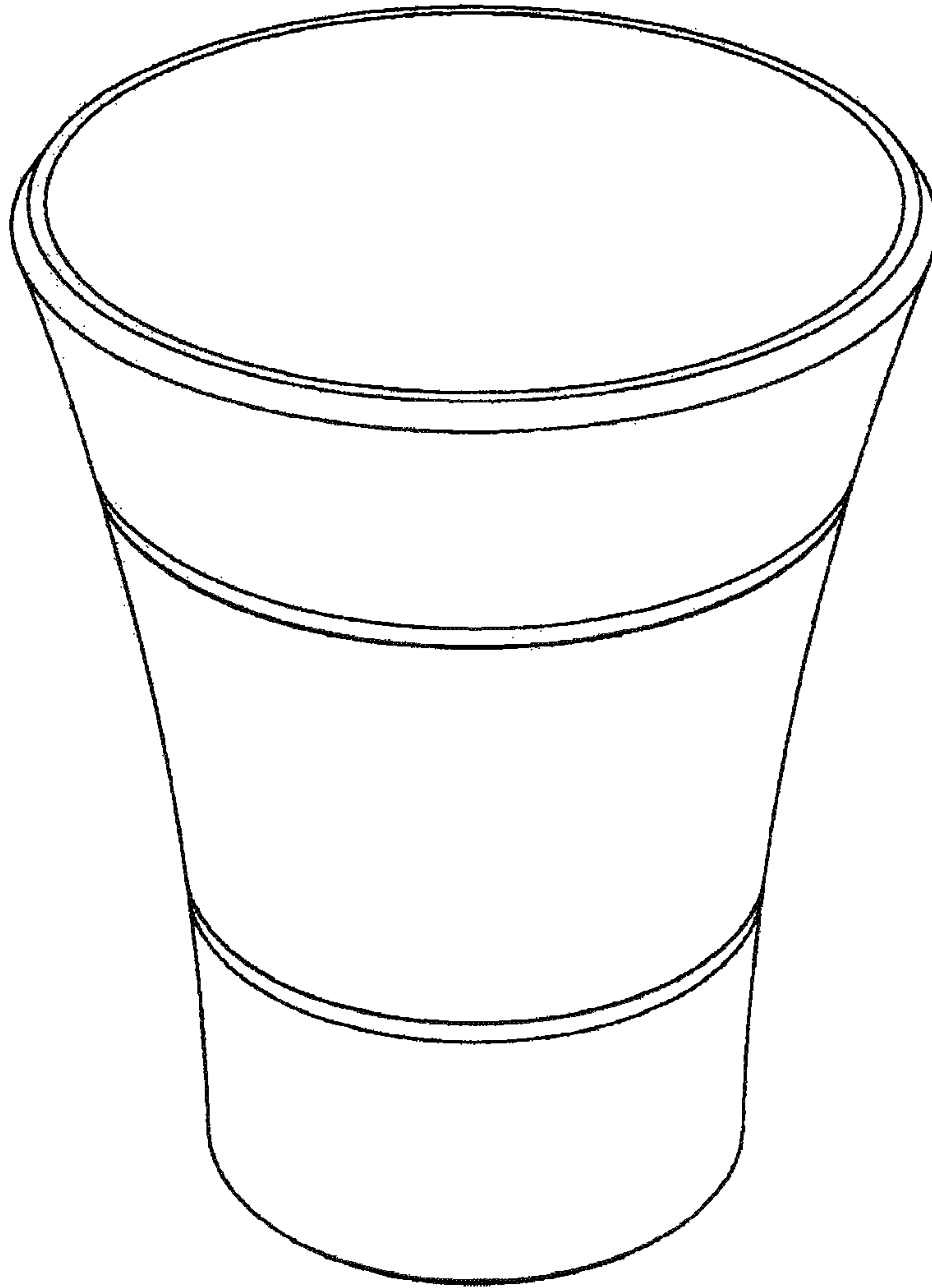


Fig. 7

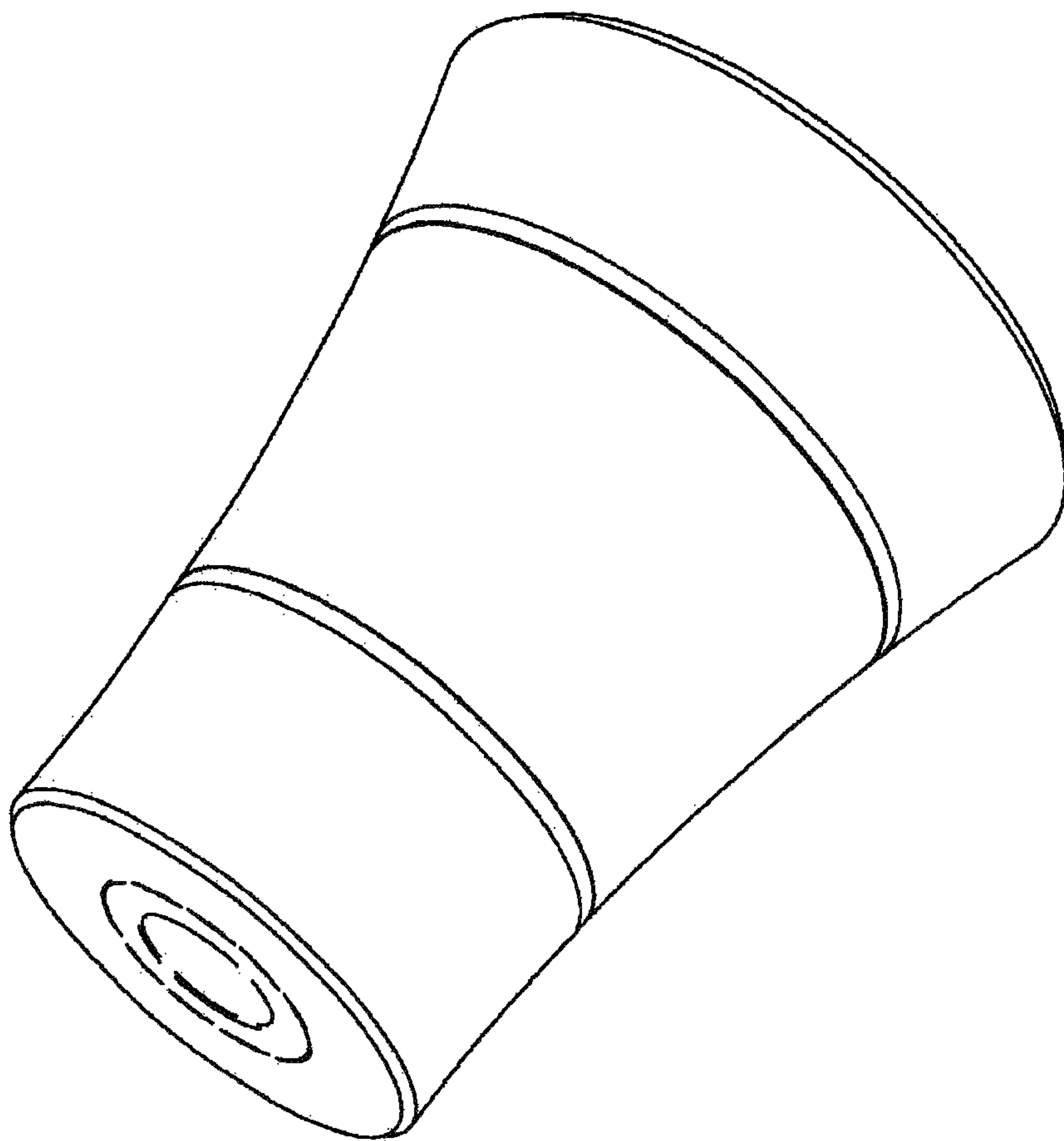


Fig. 8