



US00D757355S

(12) **United States Design Patent**  
**al Arja et al.**

(10) **Patent No.:** **US D757,355 S**

(45) **Date of Patent:** **\*\* May 24, 2016**

(54) **HOOKAH WITH SMOKE PURGE VALVE AND STEM TUBE ASSEMBLY**

(71) Applicant: **Babylon, Inc.**, Corona, CA (US)

(72) Inventors: **Anwar al Arja**, Corona, CA (US);  
**Hathal Mohammed**, Anaheim Hills, CA (US)

(73) Assignee: **Babylon, Inc.**, Corona, CA (US)

(\*\*) Term: **14 Years**

(21) Appl. No.: **29/524,529**

(22) Filed: **Apr. 21, 2015**

(51) **LOC (10) Cl.** ..... **27-02**

(52) **U.S. Cl.**  
USPC ..... **D27/162**

(58) **Field of Classification Search**  
USPC ..... D27/162, 163, 166-169; 131/328-330,  
131/173, 226; D23/360  
CPC ..... A24F 1/30; A24F 47/008; A61M 15/009;  
A61M 15/00  
See application file for complete search history.

(56) **References Cited**

**U.S. PATENT DOCUMENTS**

D264,884 S *	6/1982	Irelan	.....	D27/166
D539,978 S *	4/2007	Kassir	.....	D27/162
D554,797 S *	11/2007	Kassir	.....	D27/162
D558,370 S *	12/2007	Mohammed	.....	D26/53
D558,919 S *	1/2008	Kassir	.....	D27/162
D584,853 S *	1/2009	Kassir	.....	D27/162
D622,099 S *	8/2010	Pike	.....	D27/162
7,827,995 B2 *	11/2010	Chaoui	.....	A24F 1/30 131/173
D652,571 S *	1/2012	Shenassa	.....	D27/163
D679,052 S *	3/2013	Chaoui	.....	D27/162
8,757,170 B2 *	6/2014	Kaplani	.....	A24F 1/30 131/194

D742,587 S *	11/2015	Masri	.....	D27/162
2006/0086365 A1 *	4/2006	Liu	.....	A24F 1/30 131/173
2006/0107964 A1 *	5/2006	Ohanesian	.....	A24F 1/30 131/173
2011/0180080 A1 *	7/2011	Fares	.....	A24F 47/00 131/184.1
2012/0180803 A1 *	7/2012	Beloni	.....	A24F 1/30 131/173
2013/0220350 A1 *	8/2013	Zakayan	.....	A24F 9/00 131/257
2013/0330680 A1 *	12/2013	Bavar	.....	A24F 1/30 432/225
2014/0069446 A1 *	3/2014	Haddad	.....	A24F 1/30 131/329
2014/0130811 A1 *	5/2014	Touzjian	.....	A24F 1/32 131/173
2014/0283852 A1 *	9/2014	Dabes	.....	A24F 1/30 131/173
2015/0282524 A1 *	10/2015	Elhalwani	.....	A24F 47/008 131/329

\* cited by examiner

*Primary Examiner* — Susan Bennett Hattan

*Assistant Examiner* — Janice Hallmark

(74) *Attorney, Agent, or Firm* — Louis F. Teran

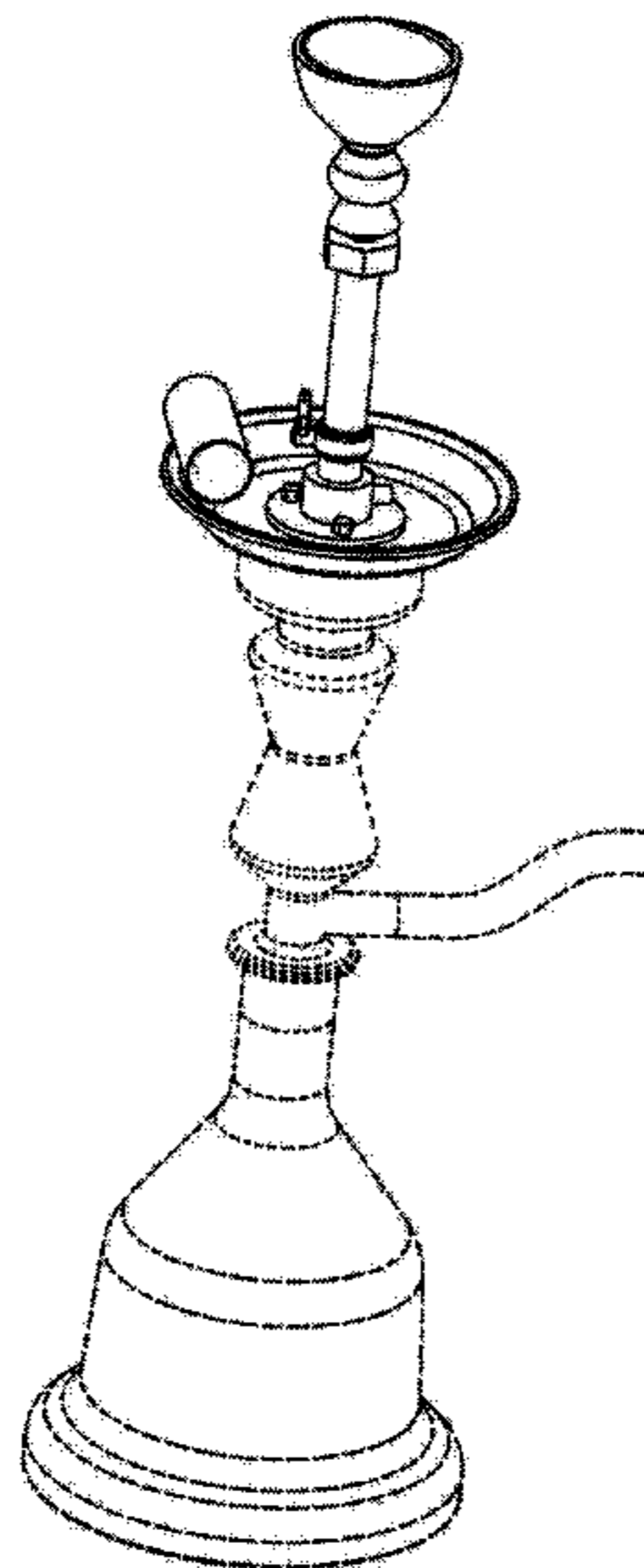
(57) **CLAIM**

The ornamental design for a hookah with smoke purge valve and stem tube assembly, as shown and described.

**DESCRIPTION**

FIG. 1 is a perspective view of the hookah with smoke purge valve and stem tube assembly showing my new design; FIG. 2 is a front view thereof; FIG. 3 is a right side view thereof; FIG. 4 is a rear view thereof; and, FIG. 5 is a left side view thereof. The broken lines in the drawings depict part of a hookah that form no part of the claimed design.

**1 Claim, 5 Drawing Sheets**



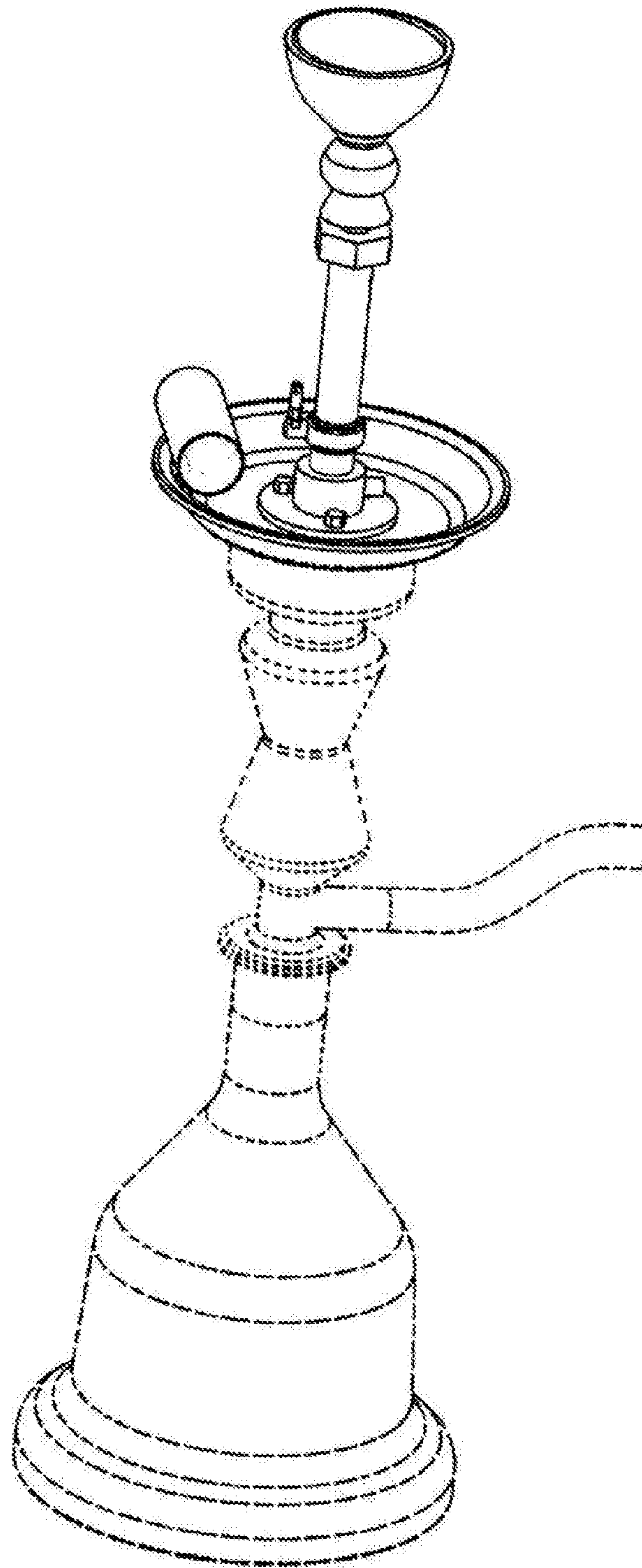
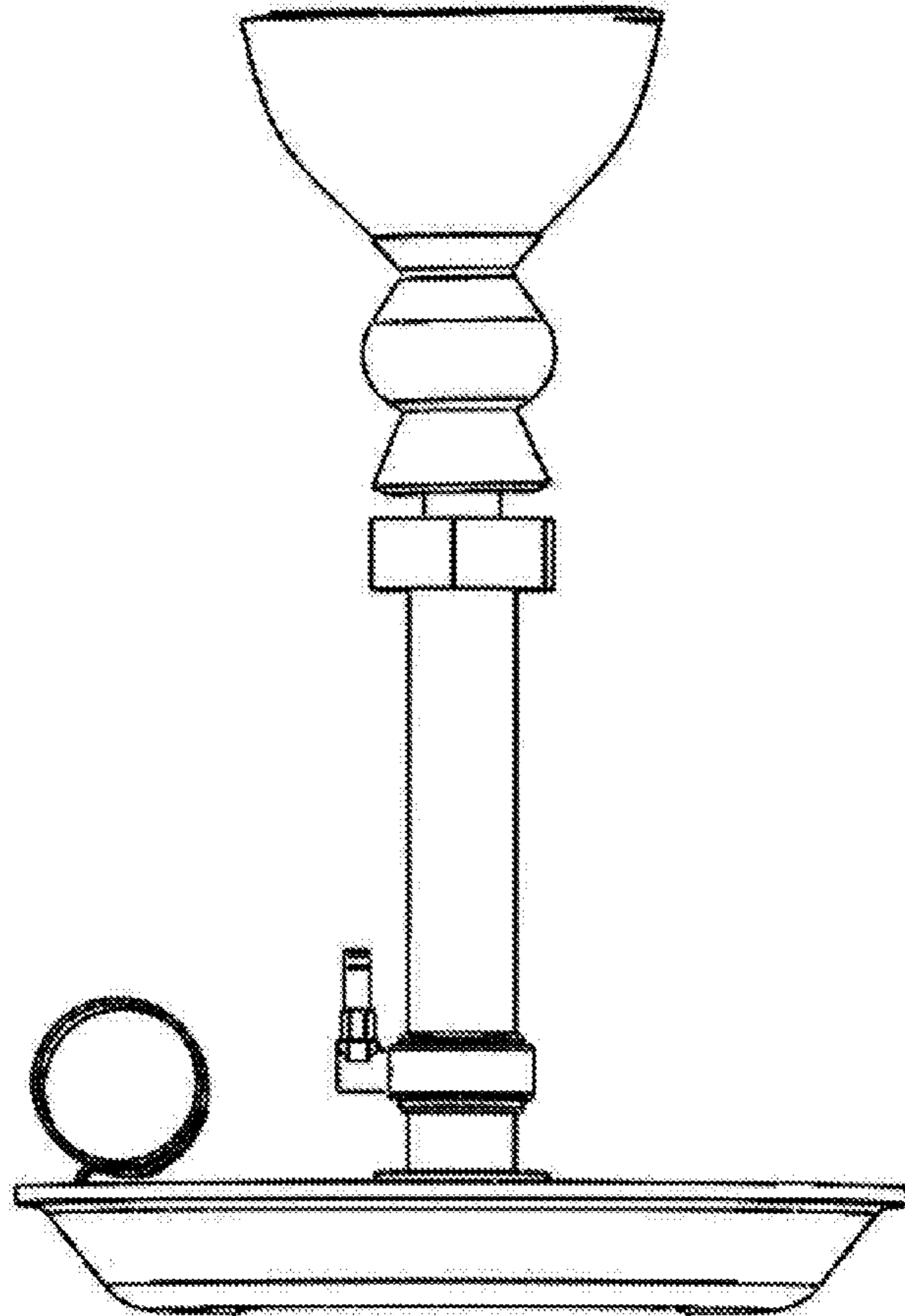
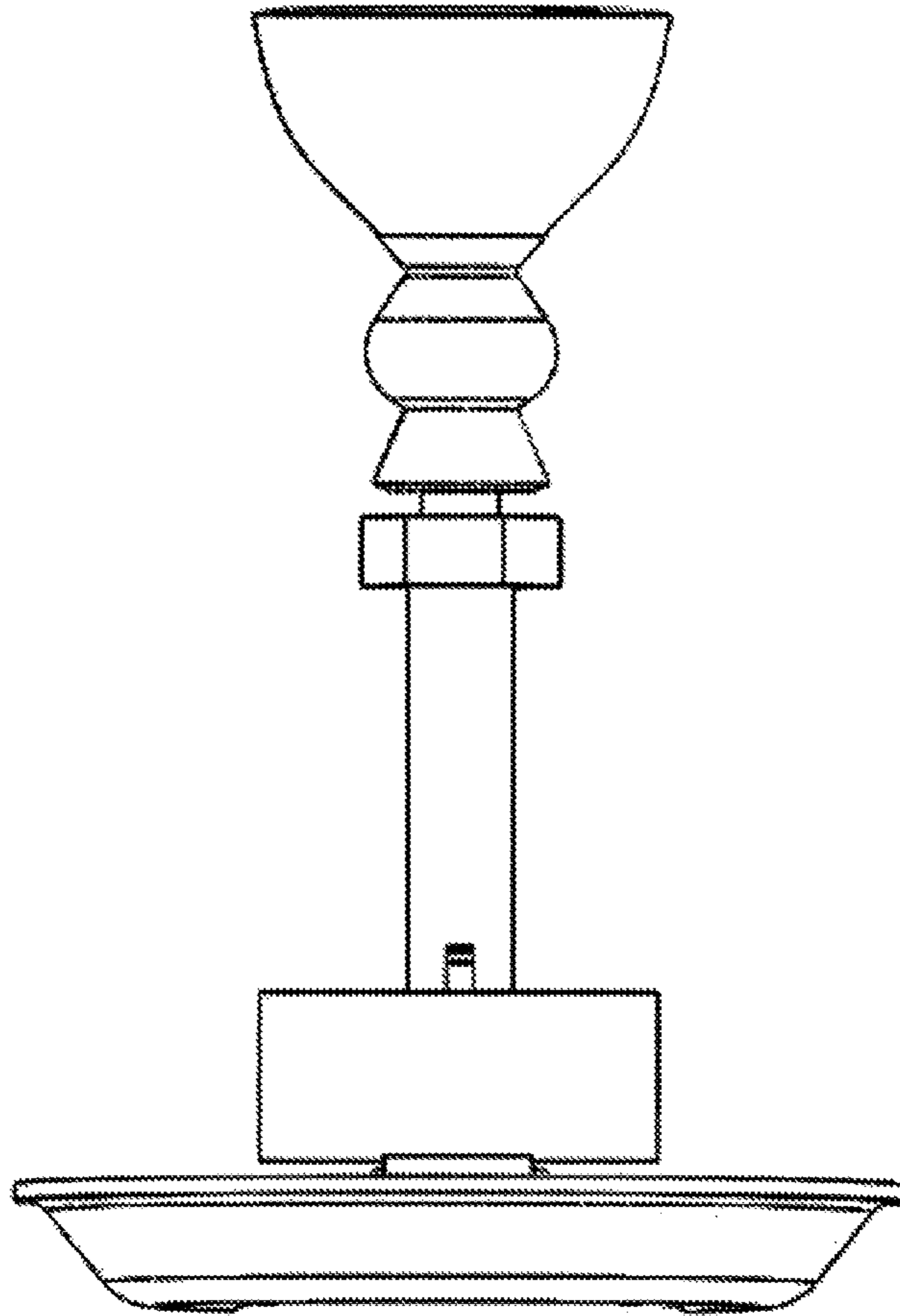


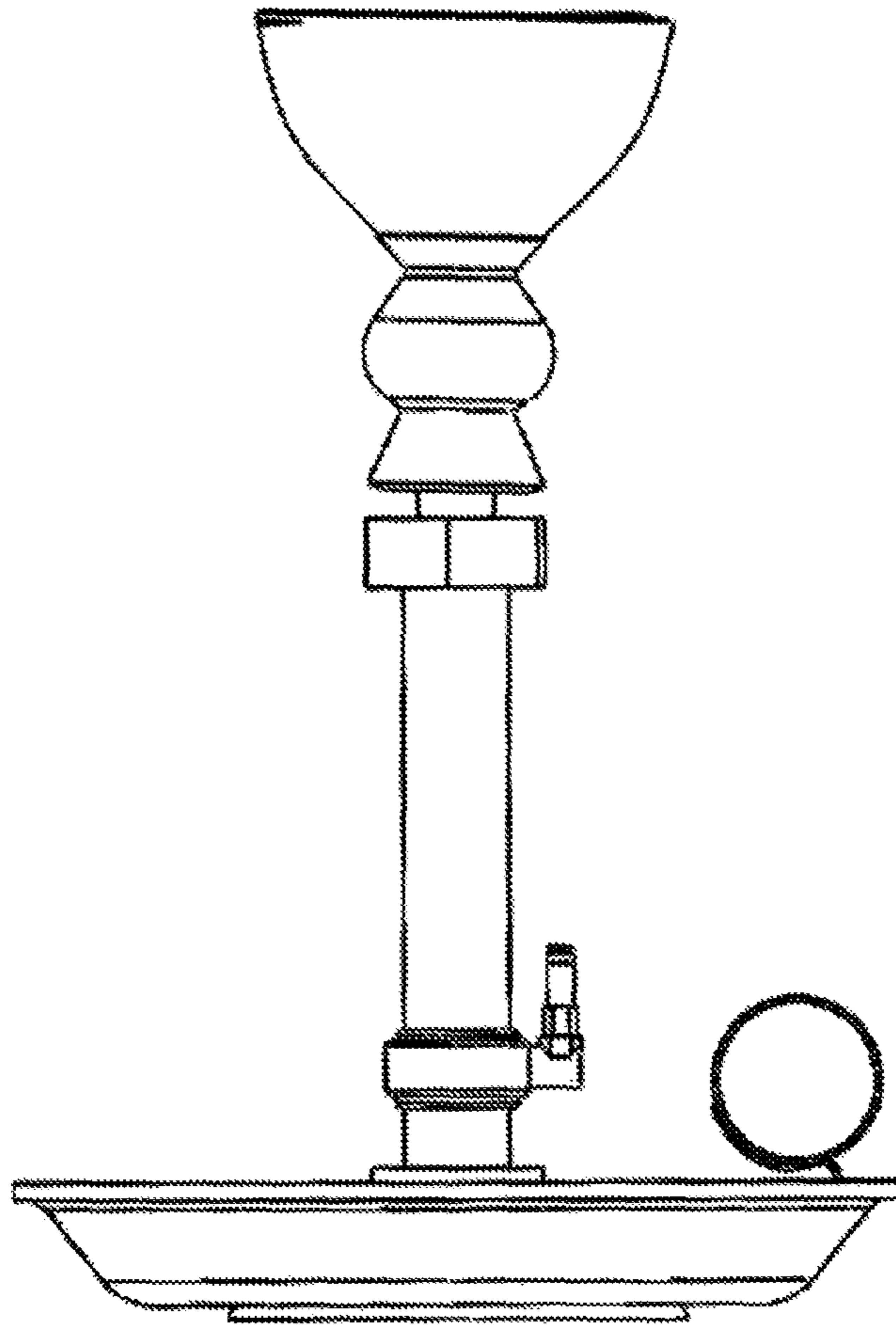
FIG. 1



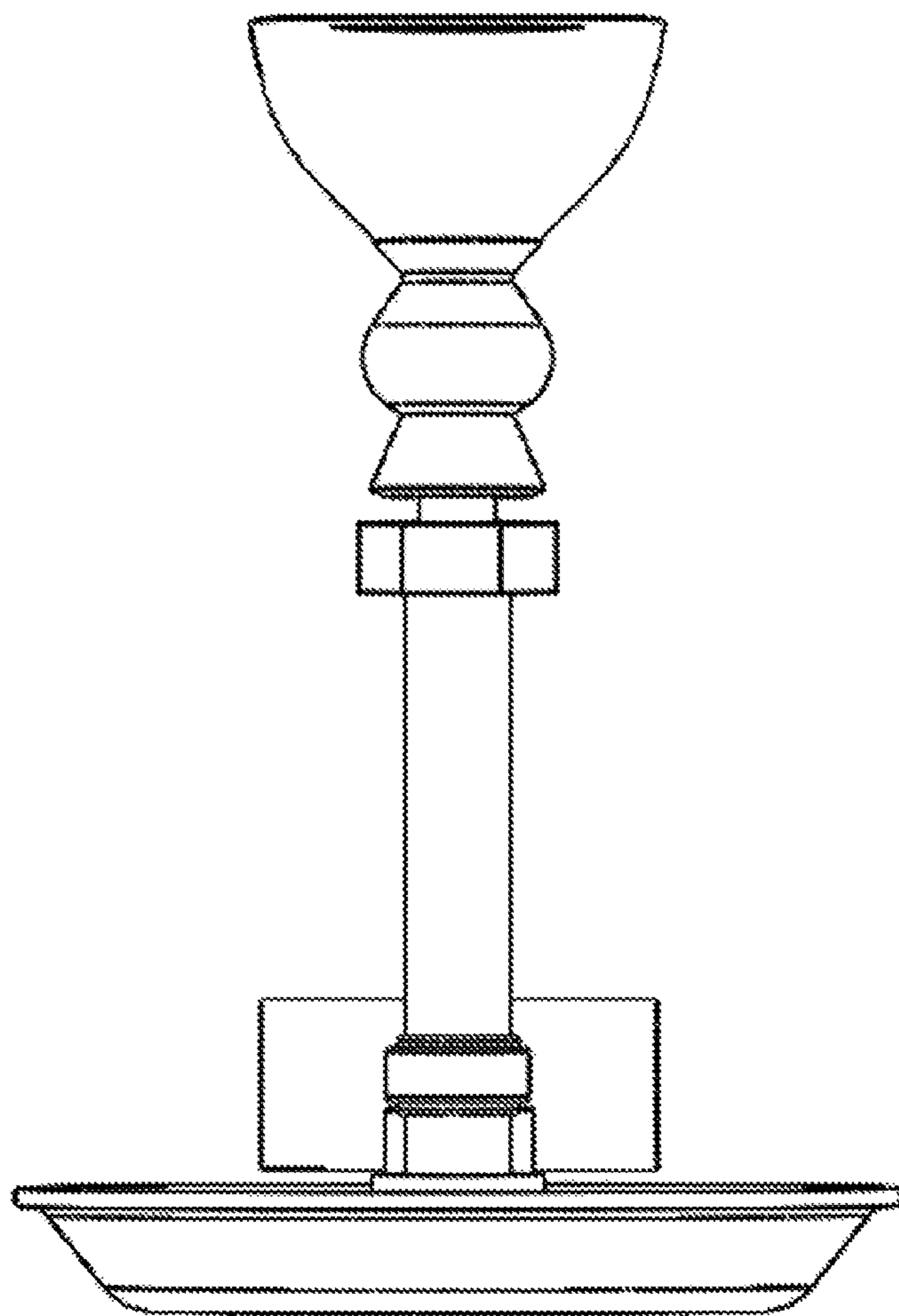
**FIG. 2**



**FIG. 3**



**FIG. 4**



**FIG. 5**