



US00D757353S

(12) **United States Design Patent**
Nunnelly et al.

(10) **Patent No.:** **US D757,353 S**
(45) **Date of Patent:** **** May 24, 2016**

- (54) **SMOKING DEVICE ASSEMBLY**
- (71) Applicant: **Music City Marketing, Inc.**, Nashville, TN (US)
- (72) Inventors: **William H. Nunnelly**, Nashville, TN (US); **Arron D. Sissom, Jr.**, Manchester, TN (US)
- (73) Assignee: **Music City Marketing, Inc.**, Nashville, TN (US)
- (**) Term: **14 Years**

- (21) Appl. No.: **29/496,691**
- (22) Filed: **Jul. 16, 2014**
- (51) **LOC (10) Cl.** **27-01**
- (52) **U.S. Cl.**
USPC **D27/101**
- (58) **Field of Classification Search**
USPC D27/101, 100, 163, 167, 169, 170, 172, D27/174, 175, 180, 183, 194; 131/347, 360, 131/361, 191, 199, 225, 229, 200; D24/113, 112
CPC A24F 1/28; A24F 13/00
See application file for complete search history.

(56) **References Cited**

U.S. PATENT DOCUMENTS

D590,991 S *	4/2009	Hon	D27/101
7,997,280 B2 *	8/2011	Rosenthal	A61M 11/041 128/202.21
D662,257 S *	6/2012	Alelov	D27/101
D666,355 S *	8/2012	Alelov	D27/101
D720,882 S *	1/2015	Albanese	D27/101
D720,883 S *	1/2015	Albanese	D27/101

D732,733 S *	6/2015	Spagnolo	D27/101
D743,539 S *	11/2015	Chung	D24/113
2012/0186592 A1 *	7/2012	Schleider	A24F 1/28 131/191

* cited by examiner

Primary Examiner — Susan Bennett Hattan

Assistant Examiner — Rebecca Tsehaye

(74) *Attorney, Agent, or Firm* — Eric B. Fugett; Waller Lansden Dortch & Davis, LLP

(57) **CLAIM**

The ornamental design for a smoking device assembly, substantially as shown and described.

DESCRIPTION

FIG. 1 is a front perspective view of a smoking device assembly showing my new design.

FIG. 2 is an exploded front perspective view thereof;

FIG. 3 is a rear perspective view thereof;

FIG. 4 is an exploded rear perspective view thereof;

FIG. 5 is a top view thereof, the opposite side view being a mirror image thereof;

FIG. 6 a rear view thereof;

FIG. 7 a front view thereof;

FIG. 8 is a side view thereof, the opposite side view being a mirror image thereof;

FIG. 9 is a side view of a mouthpiece of the smoking device assembly of FIGS. 1-8, the opposite side being a mirror image thereof;

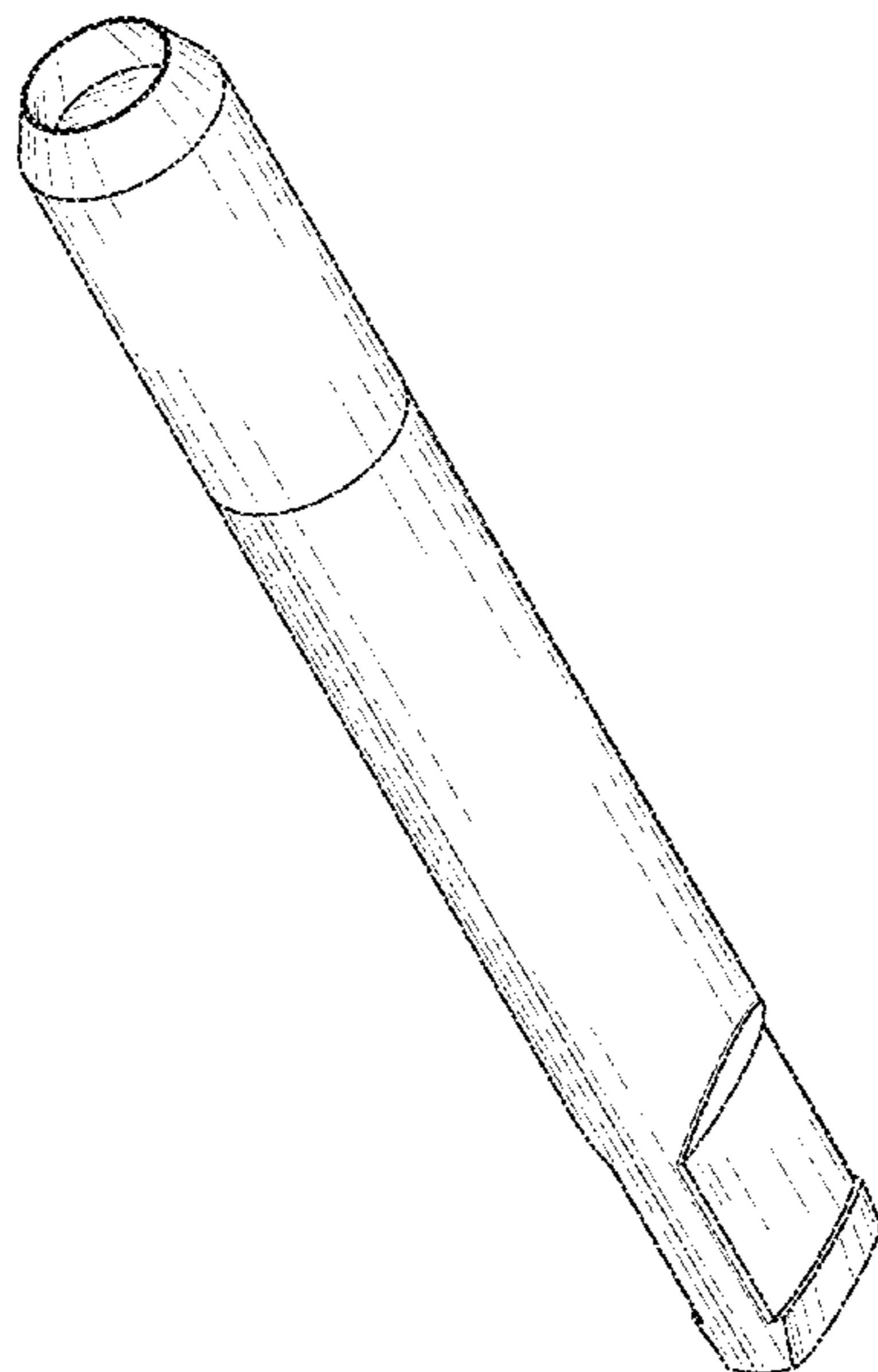
FIG. 10 is a rear view of an end-piece of the smoking device assembly of FIGS. 1-8;

FIG. 11 is a front view of the mouthpiece of FIG. 9; and,

FIG. 12 is a side view of the end-piece of FIG. 10, the opposite side being a mirror image thereof.

The broken lines in the drawing depict portions of the smoking device assembly that form no part of the claimed design.

1 Claim, 6 Drawing Sheets



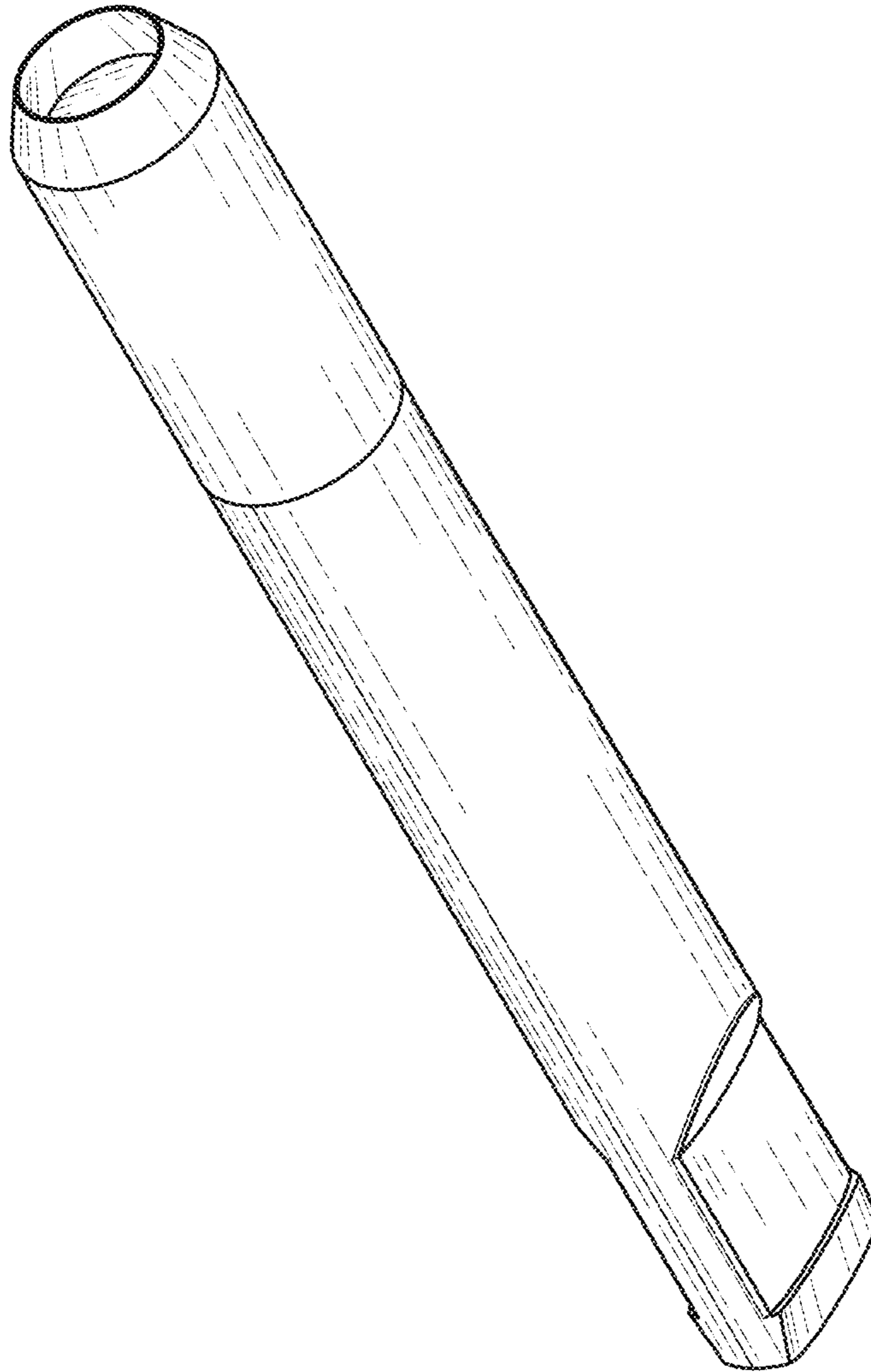


FIG. 1

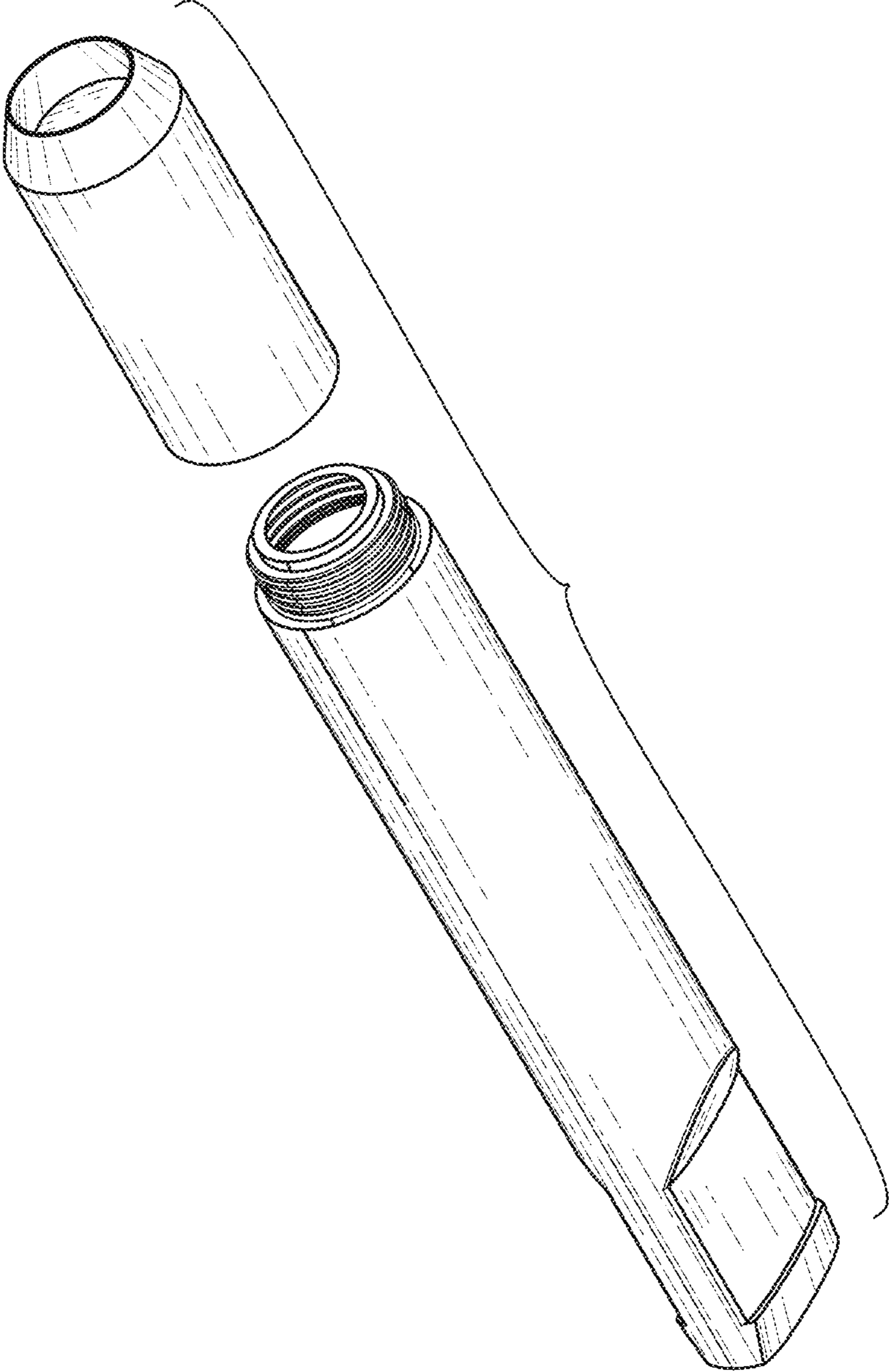


FIG. 2

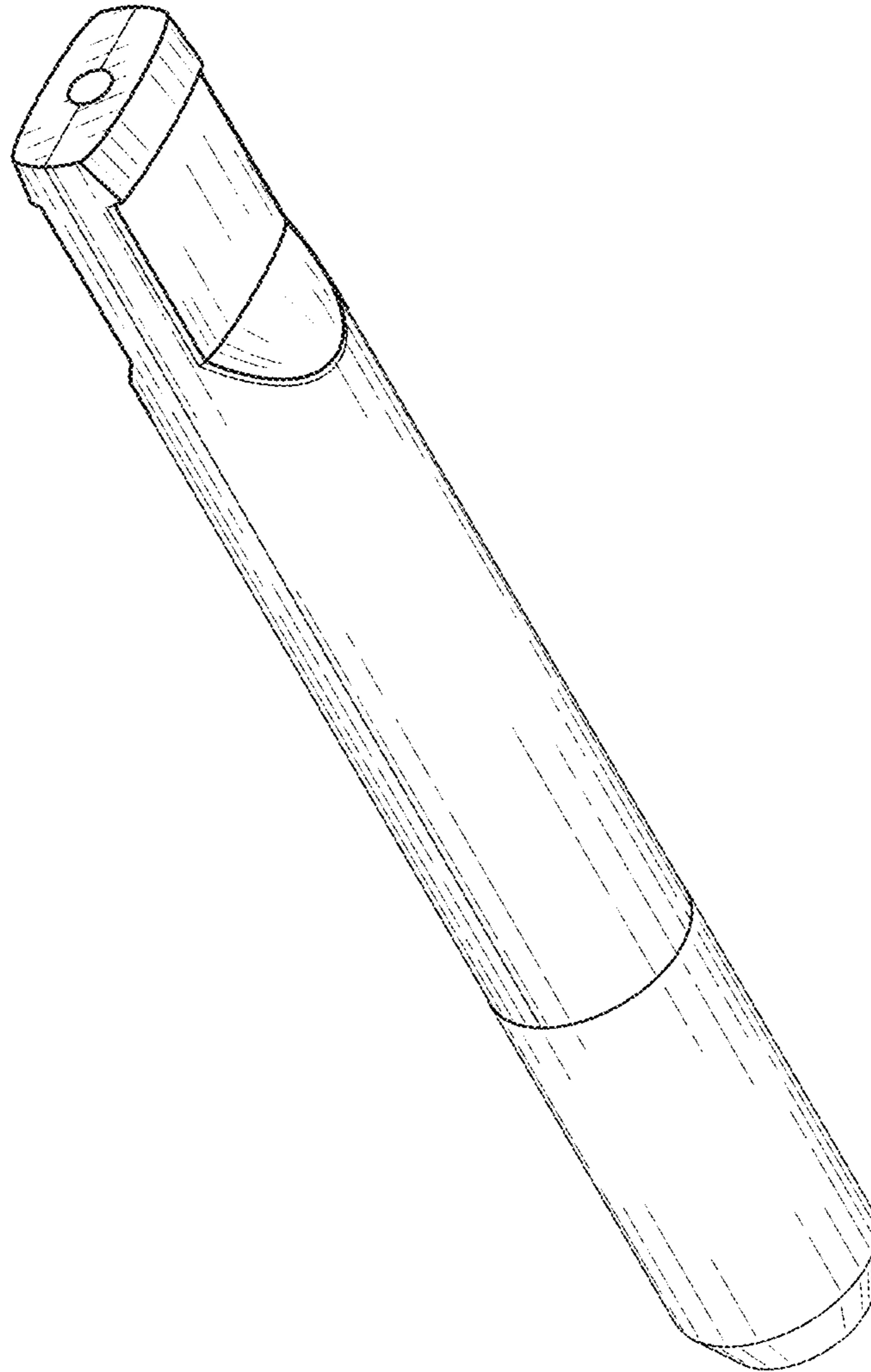


FIG. 3

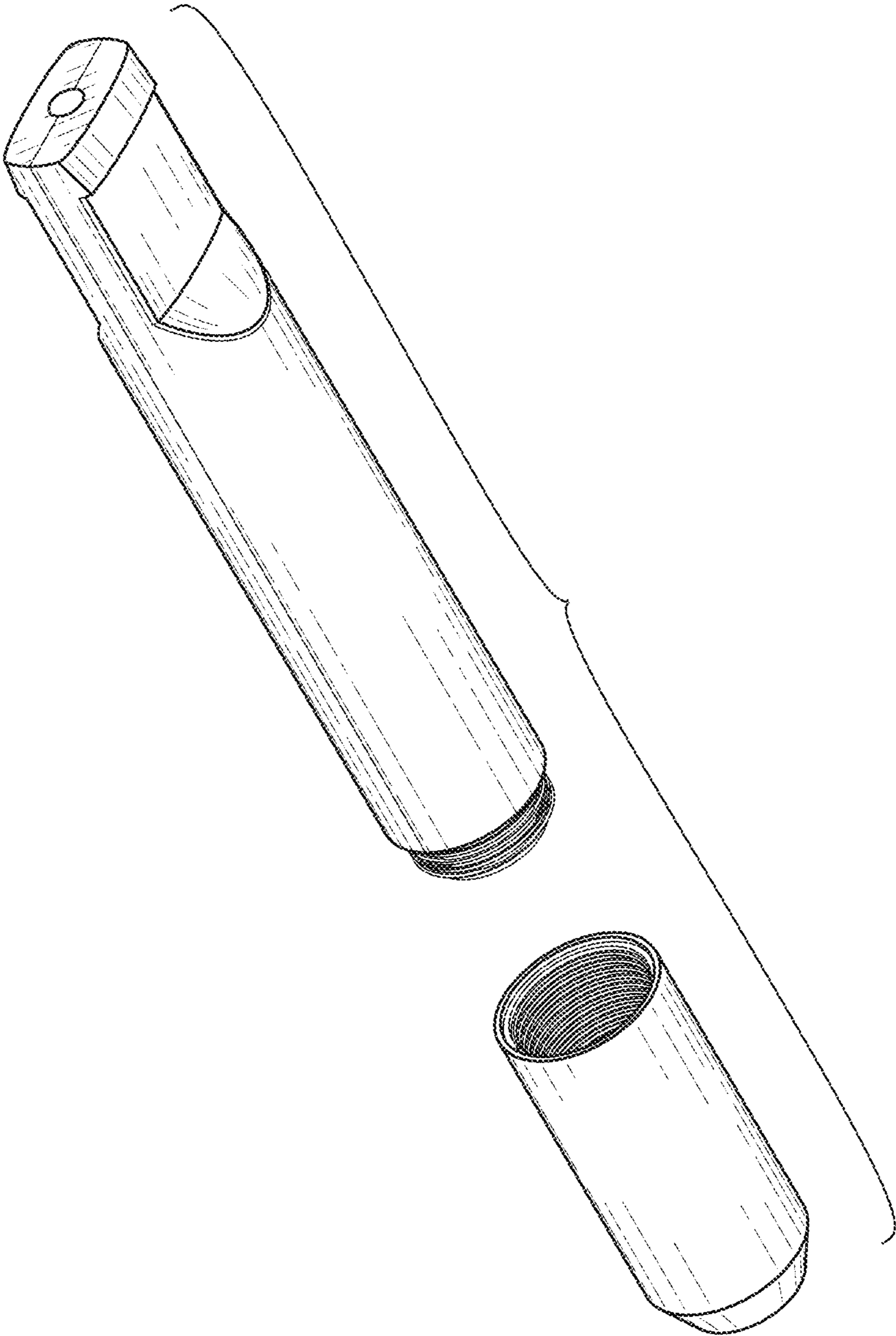


FIG. 4

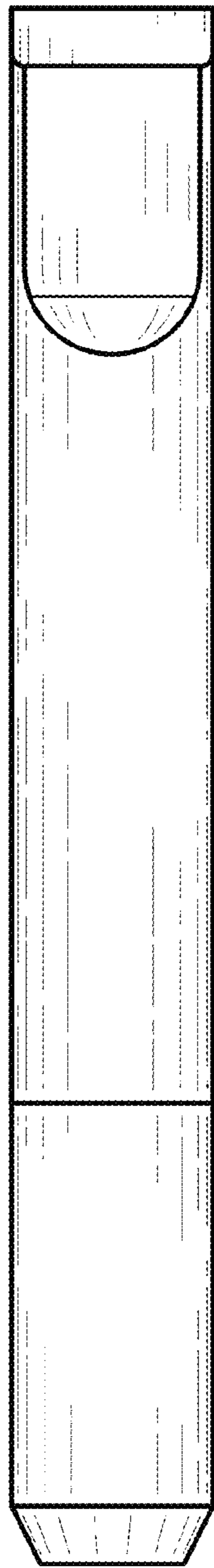


FIG. 5

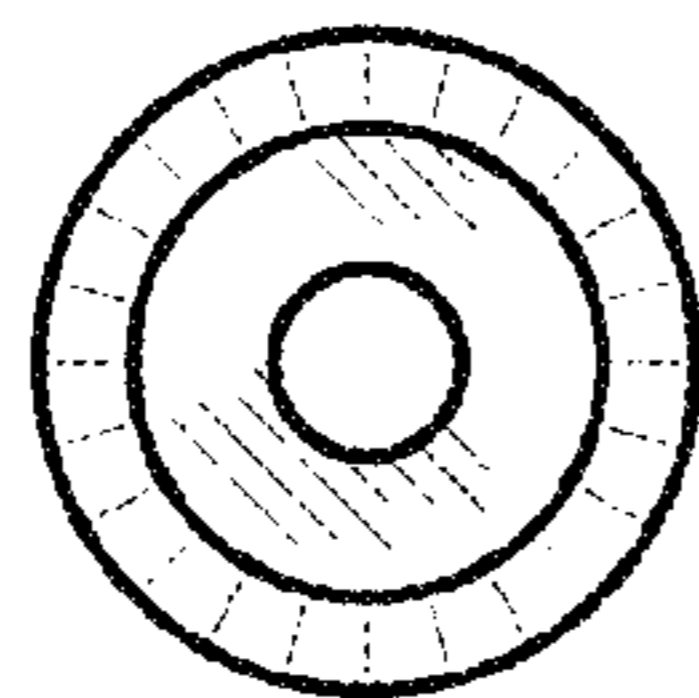


FIG. 7

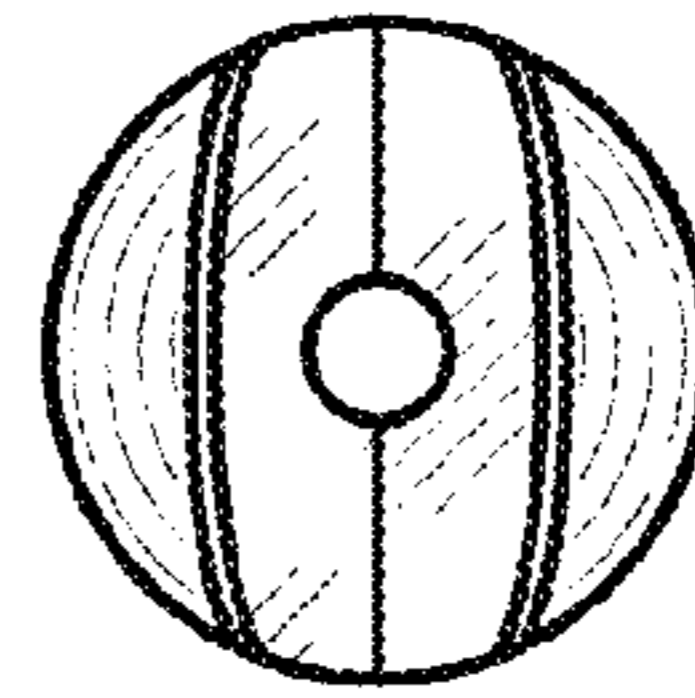


FIG. 6

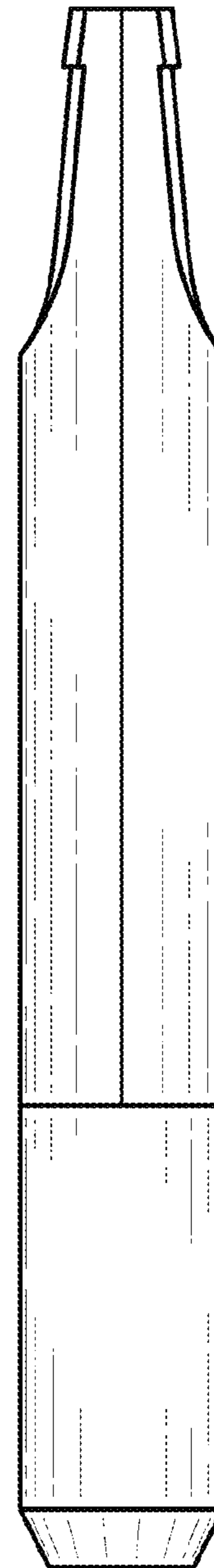


FIG. 8

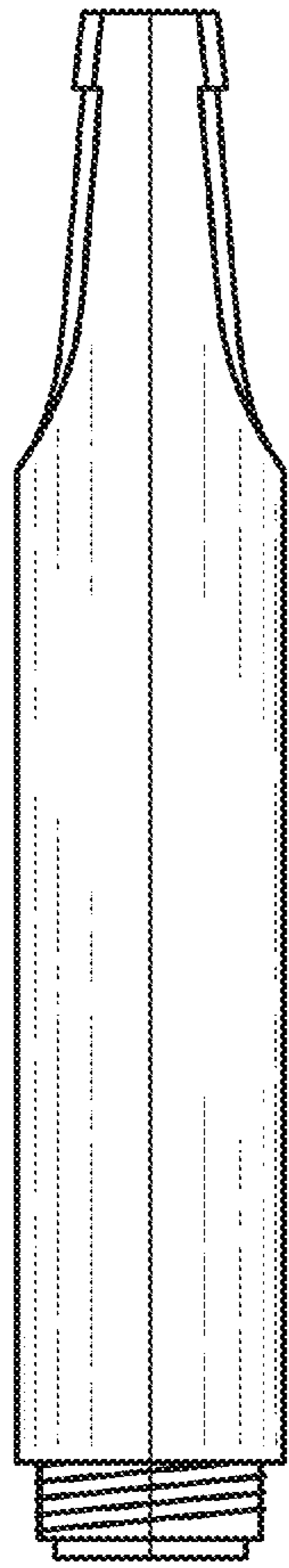


FIG. 9

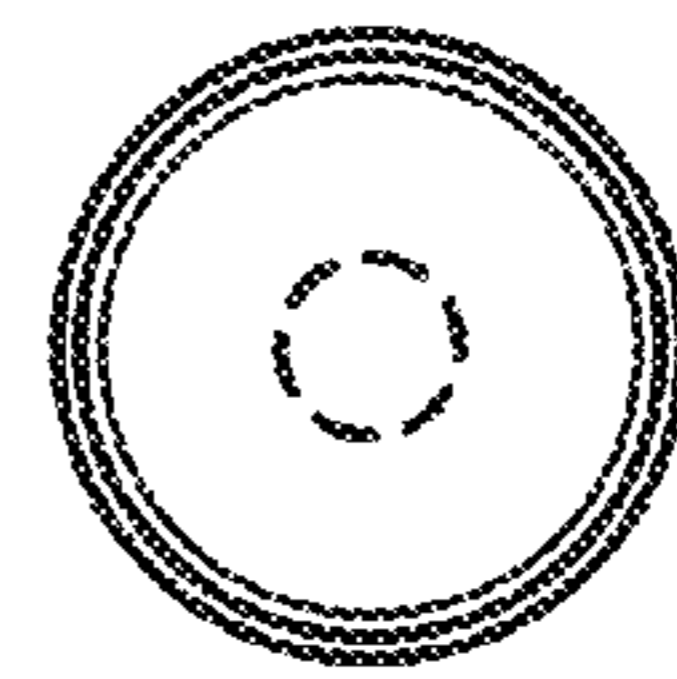


FIG. 10

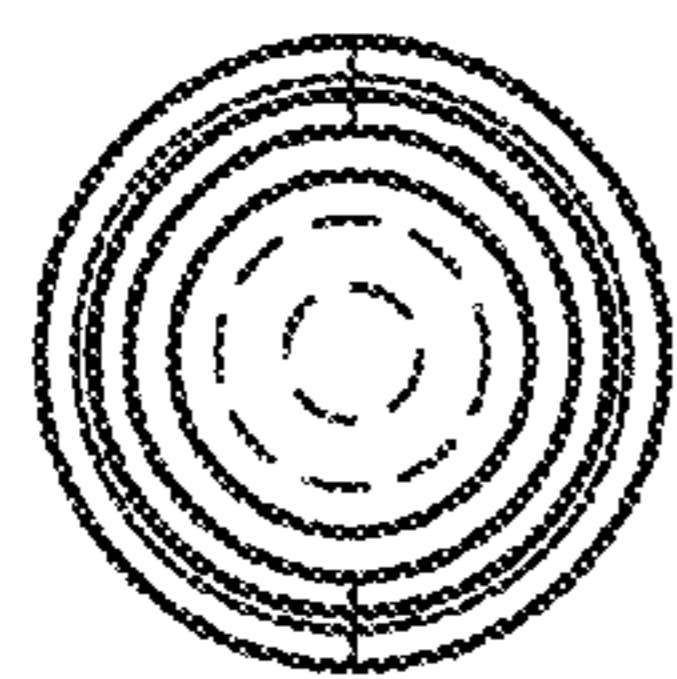


FIG. 11

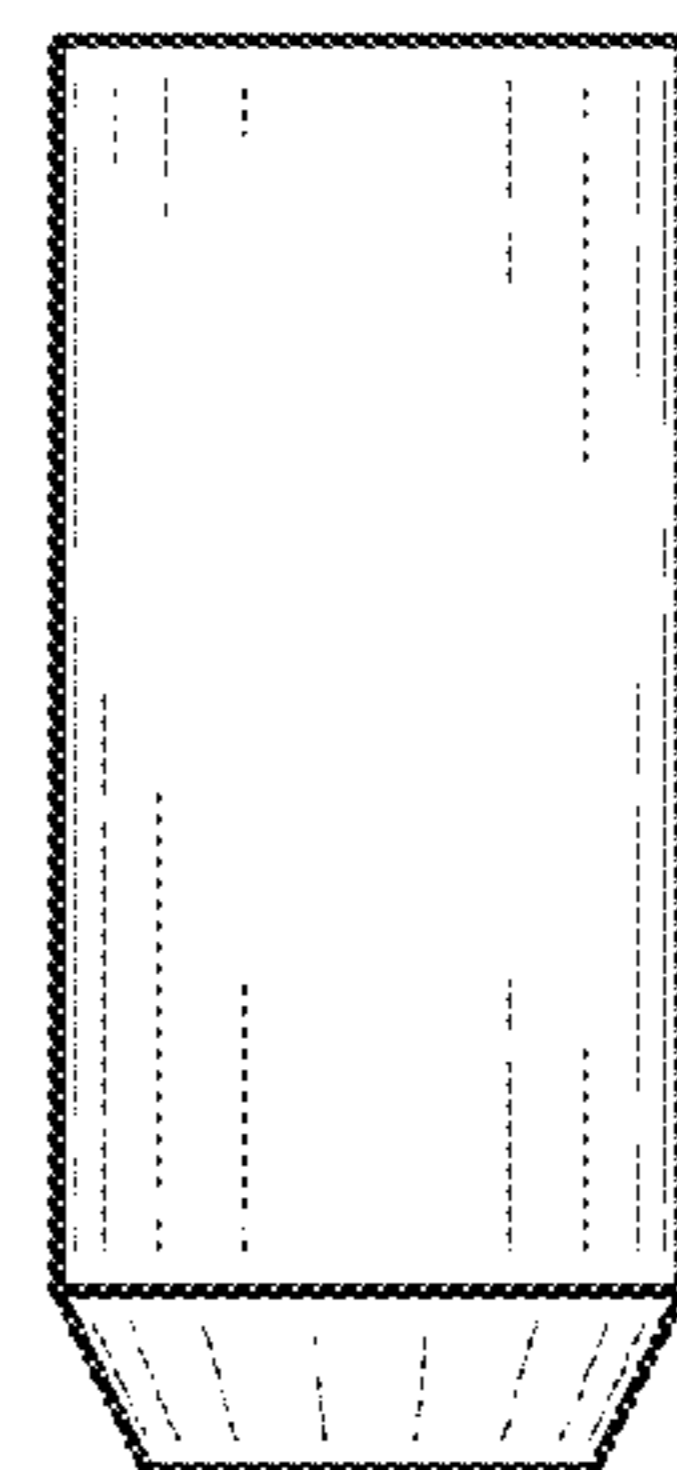


FIG. 12