



US00D757352S

(12) **United States Design Patent**
Bagai

(10) **Patent No.:** **US D757,352 S**
(45) **Date of Patent:** **** May 24, 2016**

(54) **ELECTRONIC CIGARETTE**
(71) Applicant: **Fontem Ventures B.V.**, Amsterdam
Zuidoost (NL)
(72) Inventor: **Hitesh Bagai**, Maharashtra (IN)
(73) Assignee: **FONTEM HOLDINGS 2B.V.**,
Amsterdam (NL)
(**) Term: **14 Years**
(21) Appl. No.: **29/473,879**
(22) Filed: **Nov. 26, 2013**

D724,263 S * 3/2015 Malhi D27/101
D727,566 S * 4/2015 Xiao D27/101
2012/0067358 A1* 3/2012 Rasch A24F 47/002
131/273

* cited by examiner

Primary Examiner — Susan Bennett Hattan
Assistant Examiner — Janice Hallmark
(74) *Attorney, Agent, or Firm* — Cohen & Hildebrand,
PLLC

(57) **CLAIM**
The ornamental design for an electronic cigarette, as shown
and described.

(30) **Foreign Application Priority Data**
May 29, 2013 (EM) 002246017-0001
May 29, 2013 (EM) 002246017-0002
May 29, 2013 (EM) 002246017-0003
May 29, 2013 (EM) 002246017-0004
May 29, 2013 (EM) 002246017-0005
May 29, 2013 (EM) 002246017-0006
May 29, 2013 (EM) 002246017-0007
(51) **LOC (10) Cl.** **27-01**
(52) **U.S. Cl.**
USPC **D27/101**
(58) **Field of Classification Search**
USPC D27/101, 163–167, 169–170; D24/110,
D24/113; 131/270–273, 329, 330, 194, 189,
131/347, 360–365
CPC A24F 7/00; A24F 7/02; A24F 7/04;
A24F 47/002; A24F 47/008; A24F 47/00;
A24F 47/004; A24F 47/006; A61M 15/06
See application file for complete search history.

DESCRIPTION

FIG. 1 is a perspective view of the electronic cigarette from a first end showing the top and the first side of a first embodiment;
FIG. 2 is a perspective view of the electronic cigarette from the second end showing the top and the second side of a first embodiment;
FIG. 3 is a side elevational view of the second side of the first embodiment;
FIG. 4 is a top view of the first embodiment;
FIG. 5 is a bottom view of the first embodiment;
FIG. 6 is a plan view of the second end of the first embodiment;
FIG. 7 is a plan view of the first end of the first embodiment;
FIG. 8 is a perspective view of the electronic cigarette from a first end showing the top and the first side of a second embodiment;
FIG. 9 is a perspective view of the electronic cigarette from the second end showing the top and the second side of a second embodiment;
FIG. 10 is a side elevational view of the second side of the second embodiment;
FIG. 11 is a top view of the second embodiment;
FIG. 12 is a bottom view of the second embodiment;
FIG. 13 is a plan view of the second end of the second embodiment;
FIG. 14 is a plan view of the first end of the second embodiment;
FIG. 15 a perspective view of the electronic cigarette from a first end showing the top and the first side of a third embodiment;
FIG. 16 is a perspective view of the electronic cigarette from the second end showing the top and the second side of a third embodiment;

(56) **References Cited**
U.S. PATENT DOCUMENTS
3,158,158 A * 11/1964 Womack A24F 1/28
131/175
D288,852 S * 3/1987 Miyoshi D27/170
D492,065 S * 6/2004 Chang D27/170
D590,990 S * 4/2009 Hon D27/101
D590,991 S * 4/2009 Hon D27/101
D720,881 S * 1/2015 Liu D27/101
D721,202 S * 1/2015 Liu D27/101

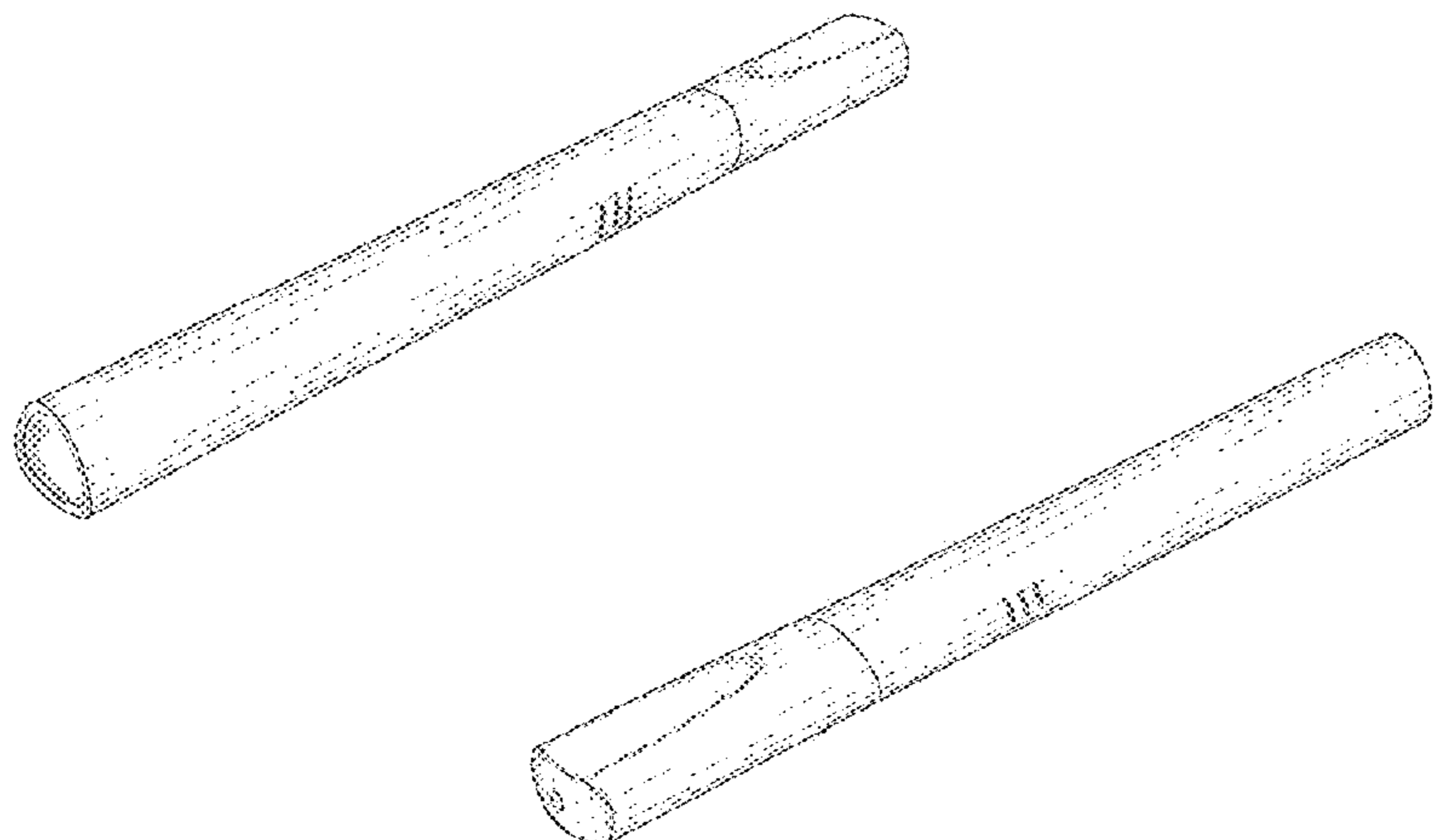


FIG. 17 is a side elevational view of the second side of the third embodiment;

FIG. 18 is a top view of the third embodiment;

FIG. 19 is a bottom view of the third embodiment;

FIG. 20 is a plan view of the second end of the third embodiment; and,

FIG. 21 is a plan view of the first end of the third embodiment.

1 Claim, 12 Drawing Sheets

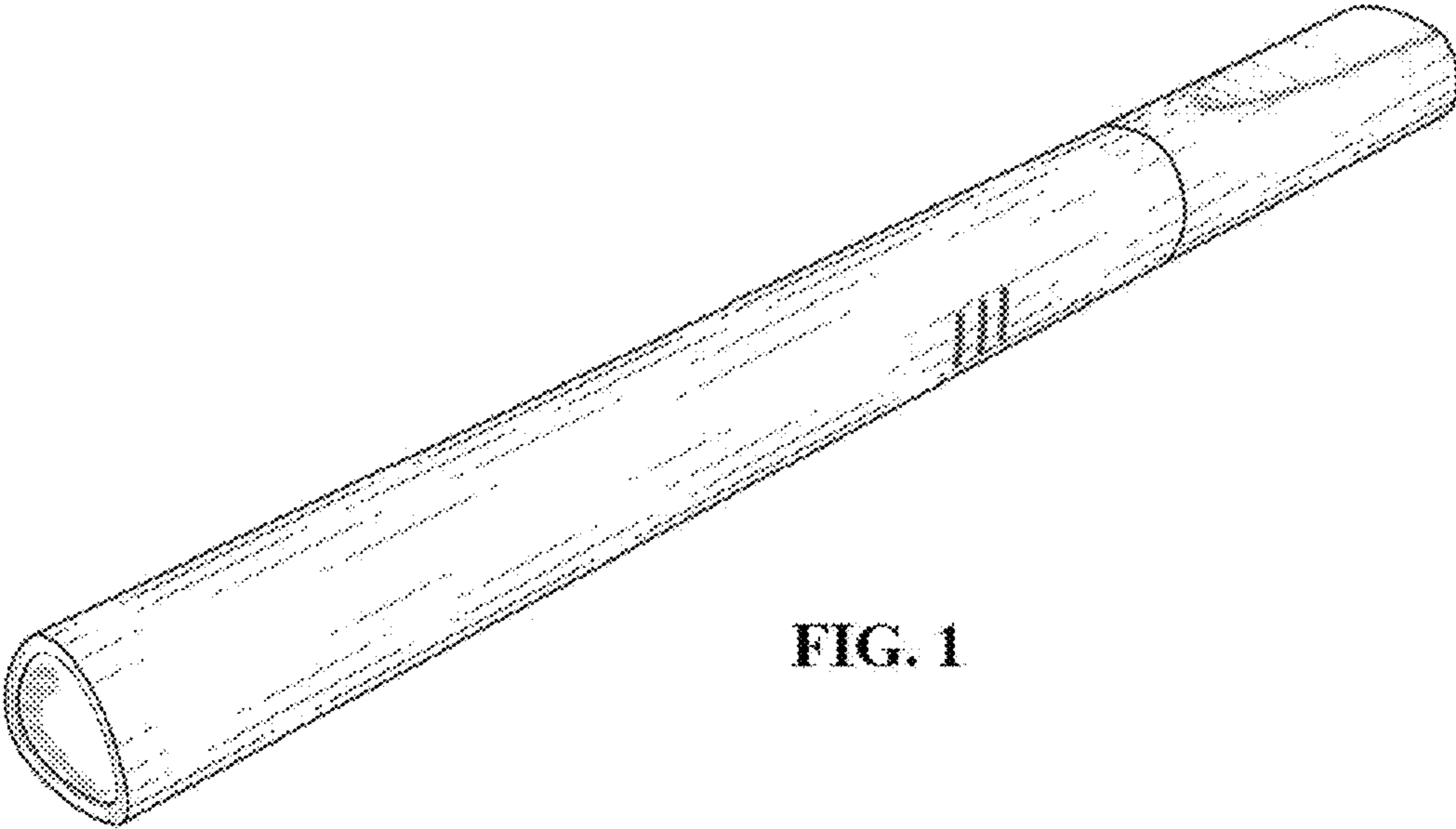


FIG. 1

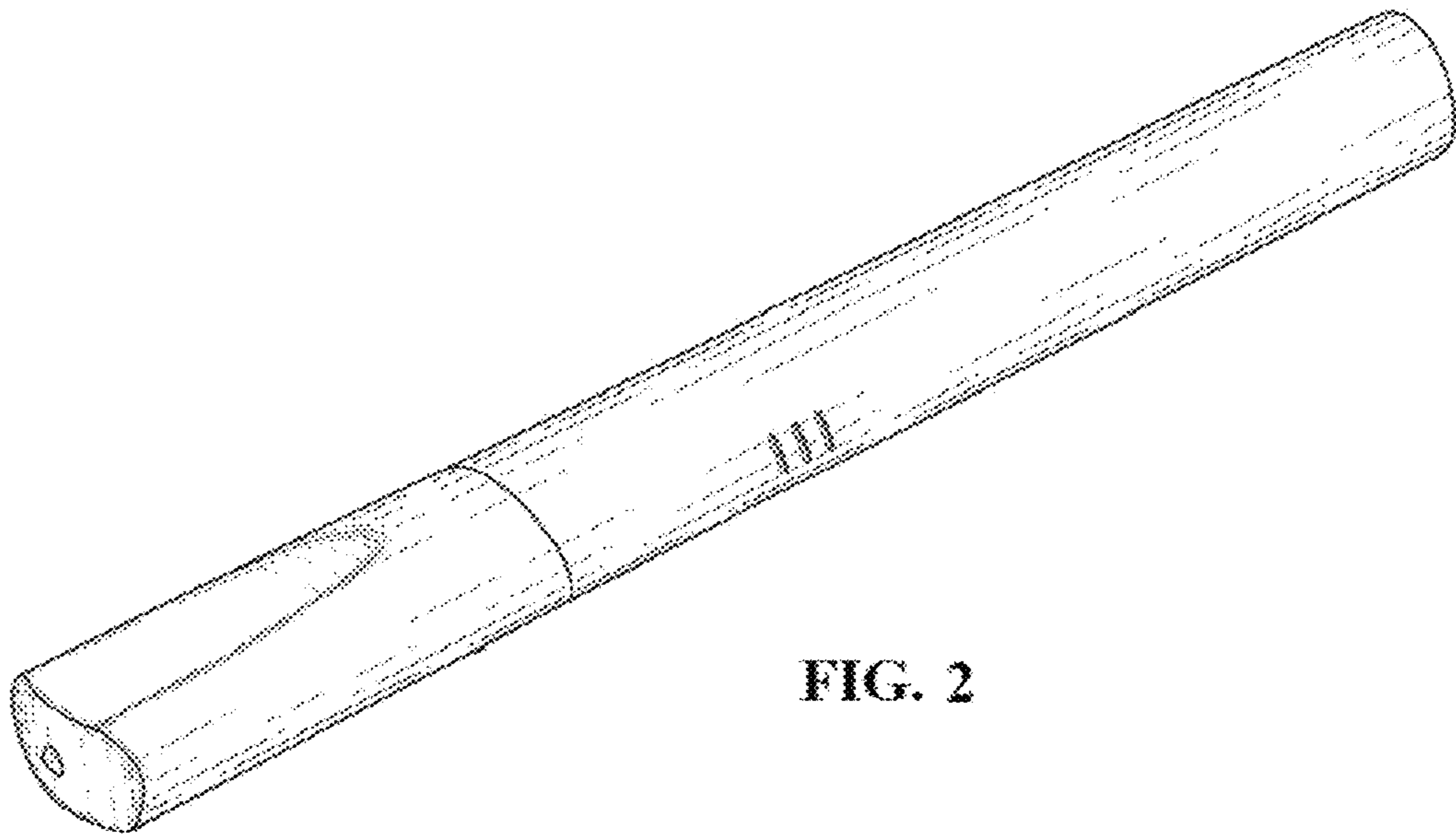


FIG. 2

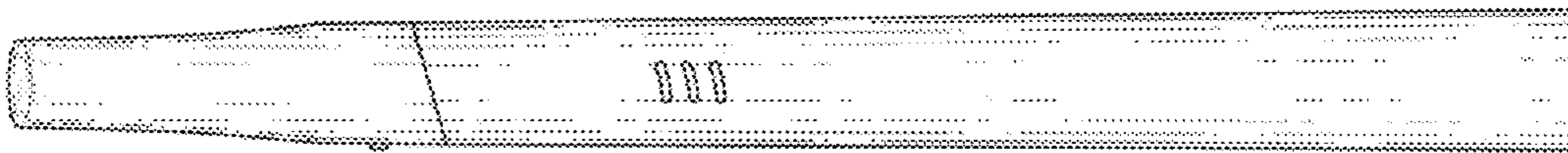


FIG. 3

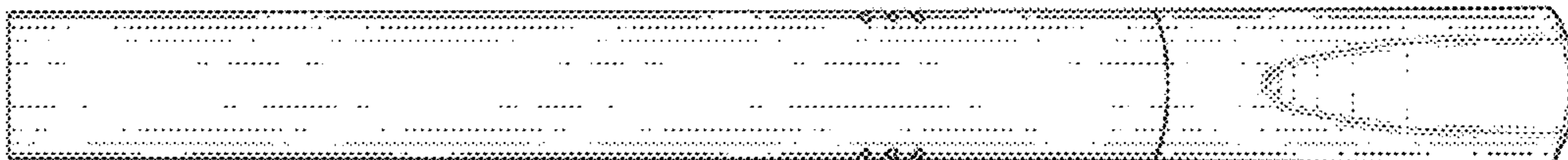


FIG. 4

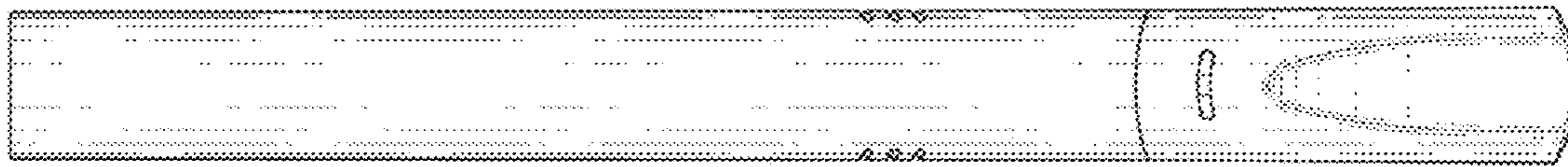


FIG. 5



FIG. 6



FIG. 7

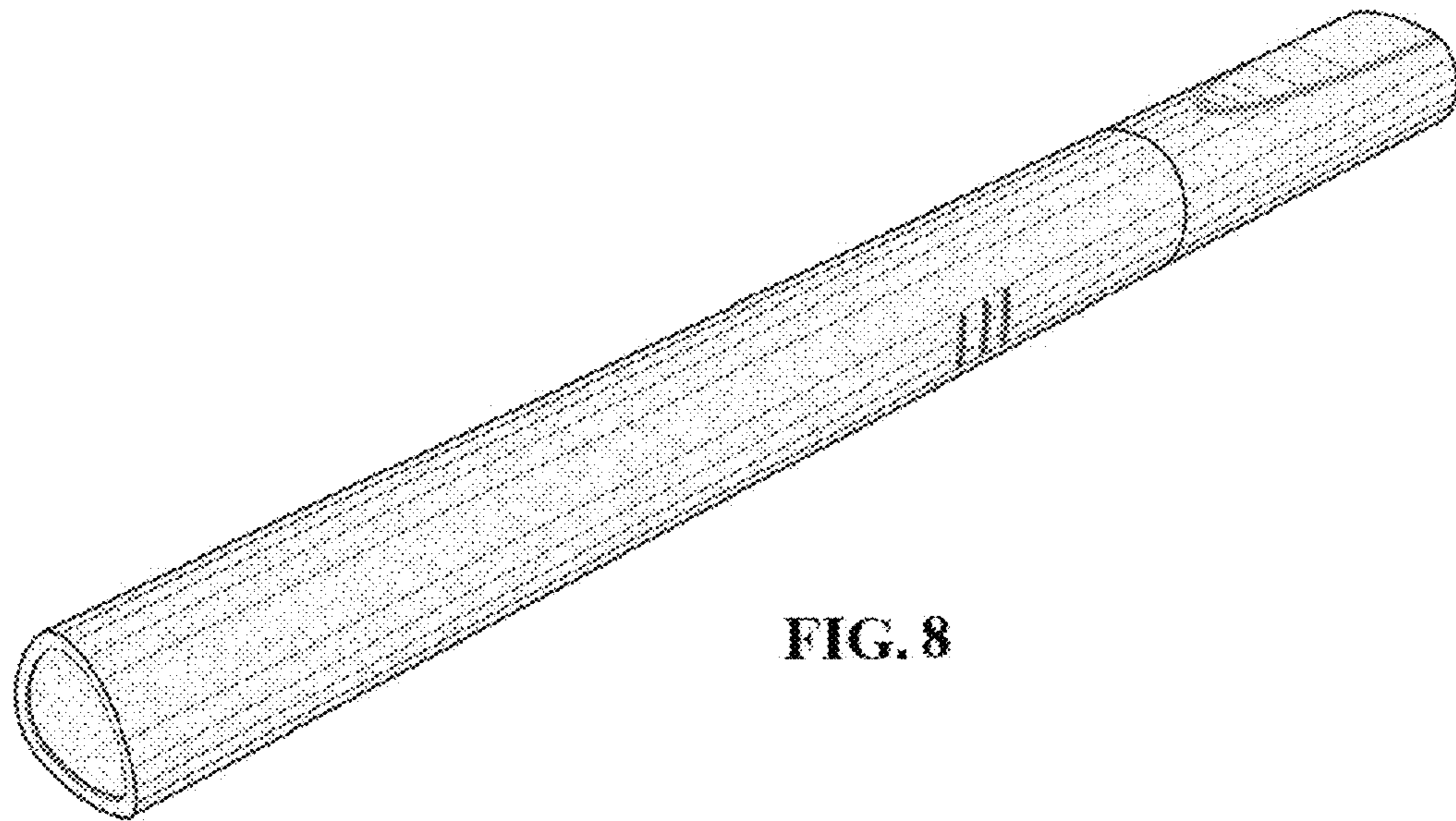


FIG. 8

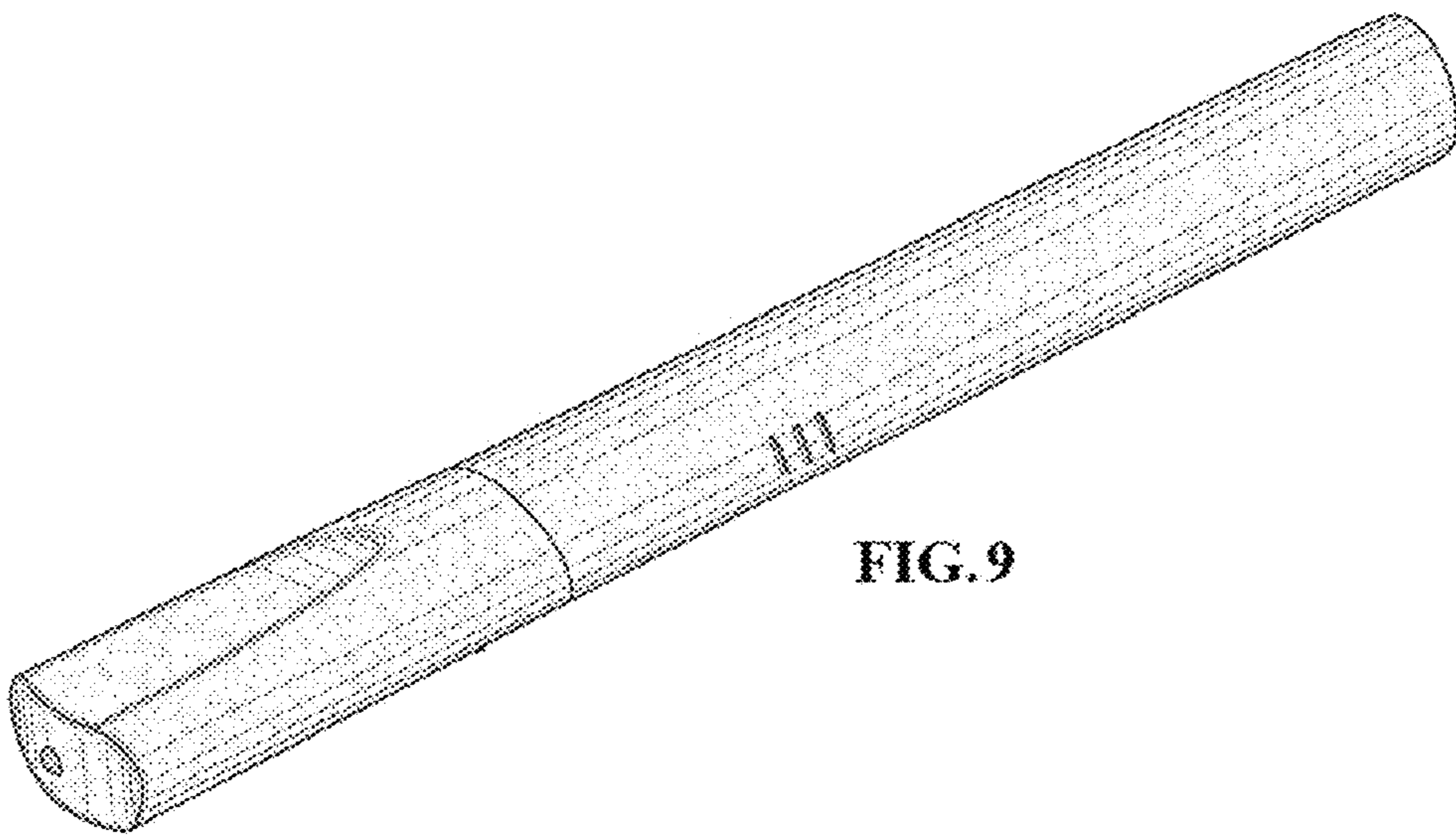


FIG. 9

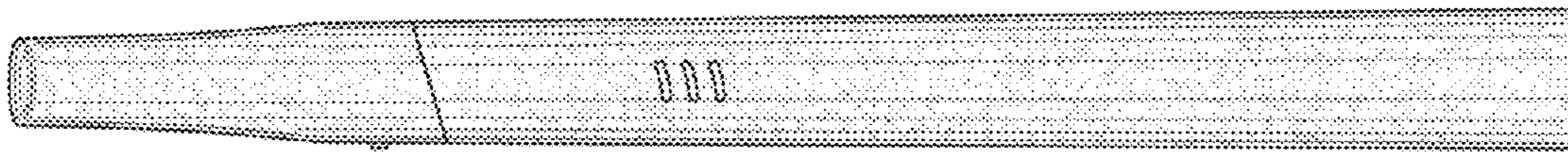


FIG. 10

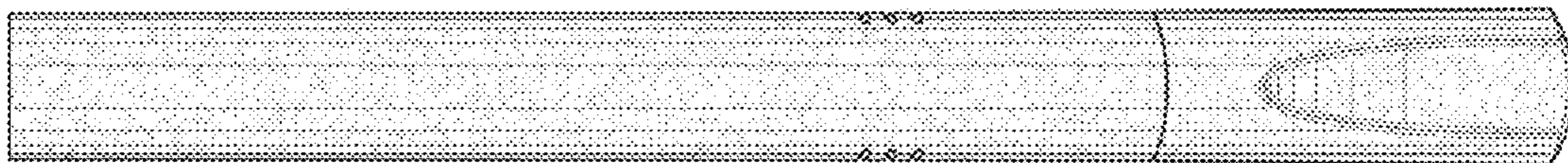


FIG. 11

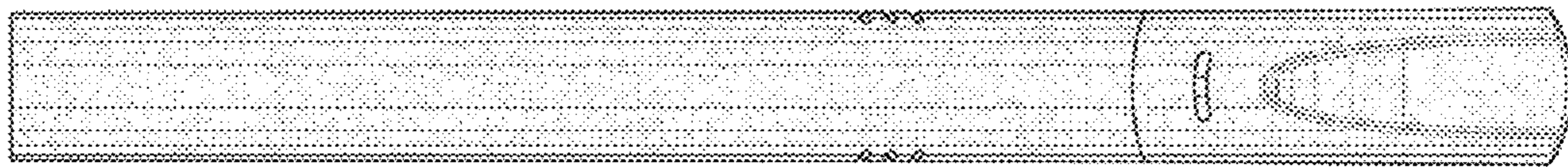


FIG. 12



FIG. 13

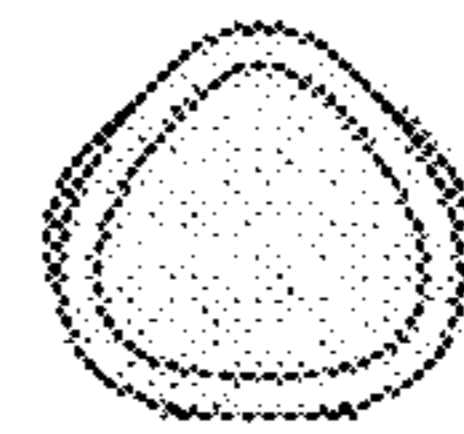


FIG. 14

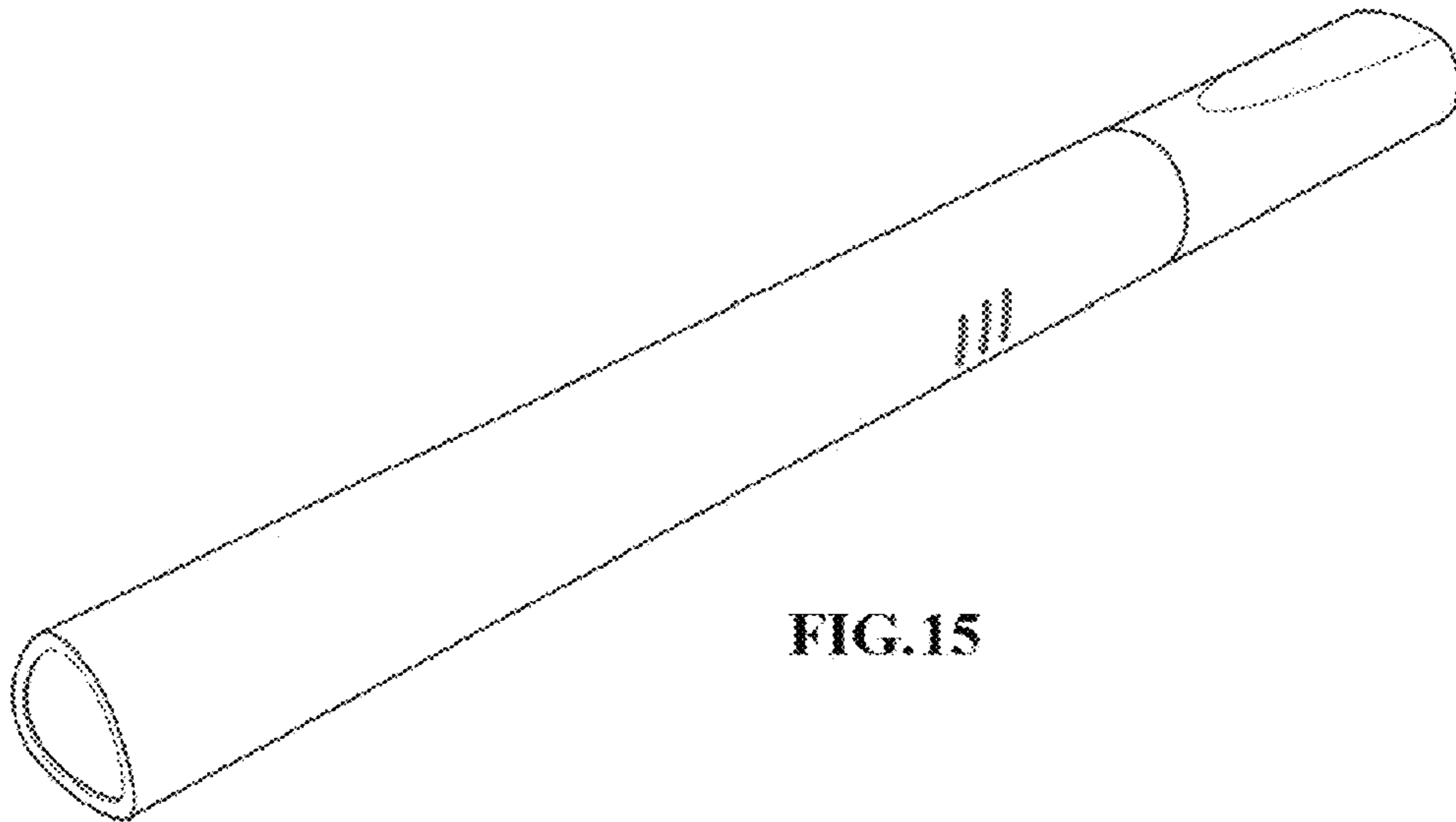


FIG.15

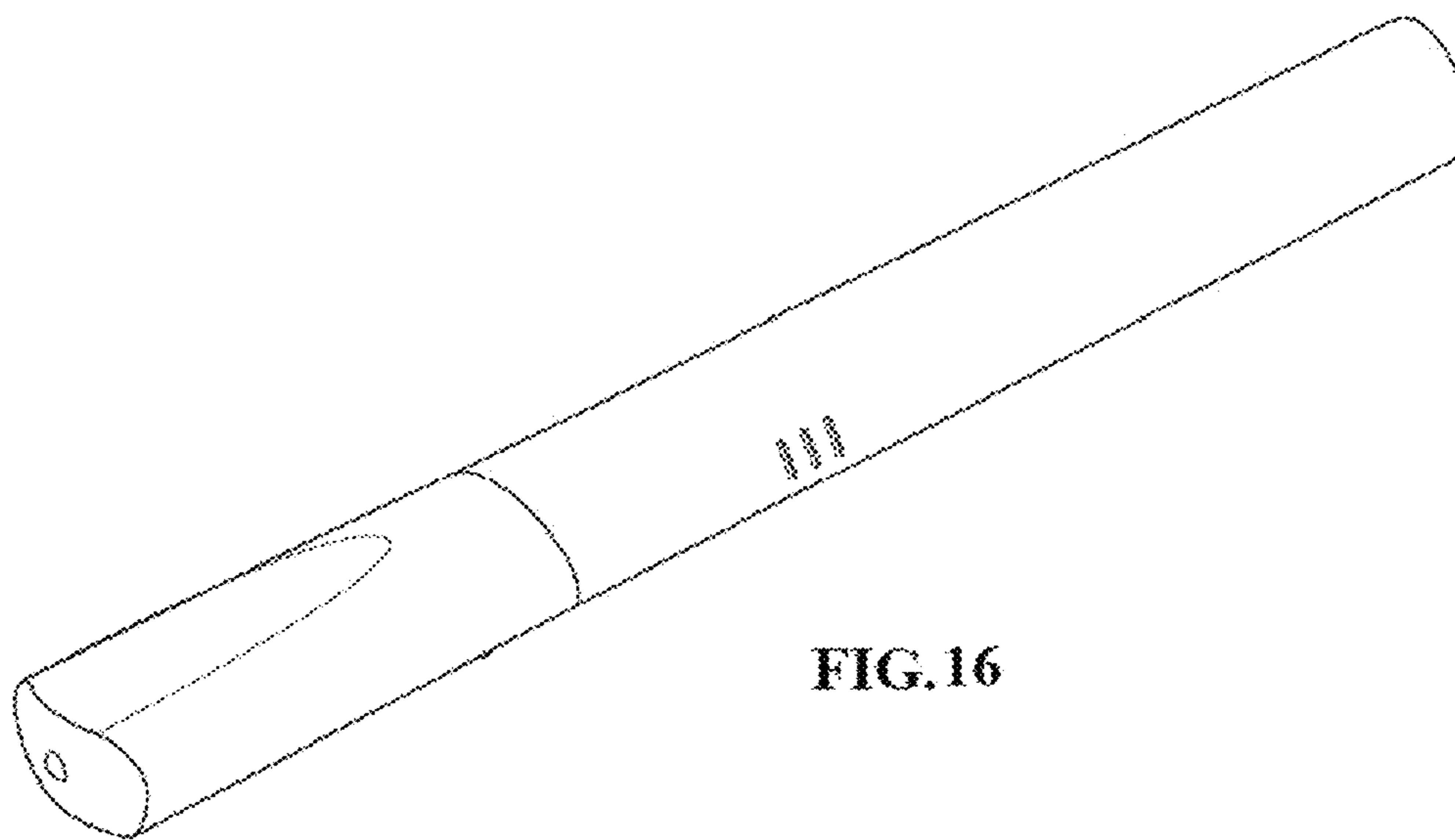


FIG. 16

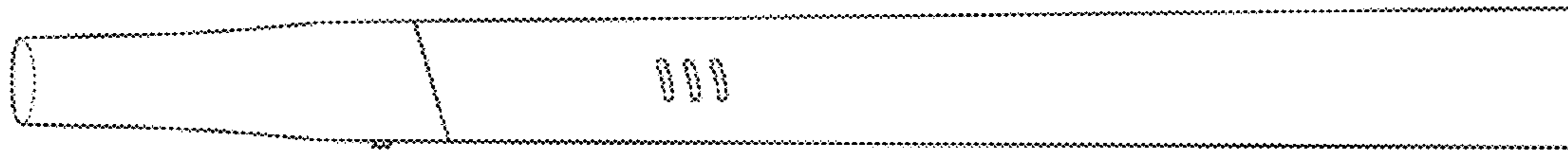


FIG. 17

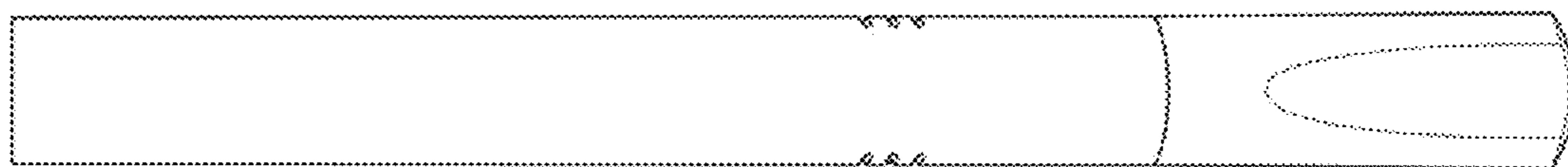


FIG. 18

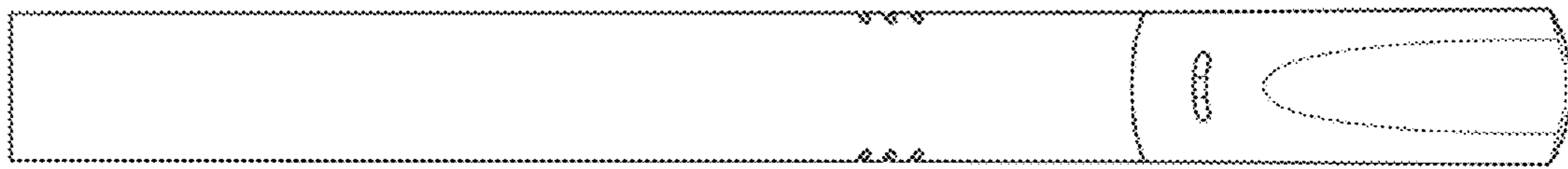


FIG. 19

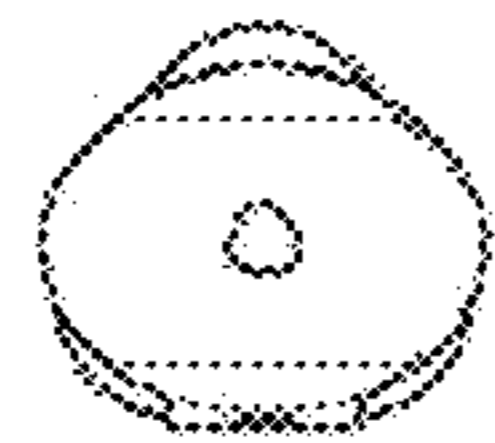


FIG. 20

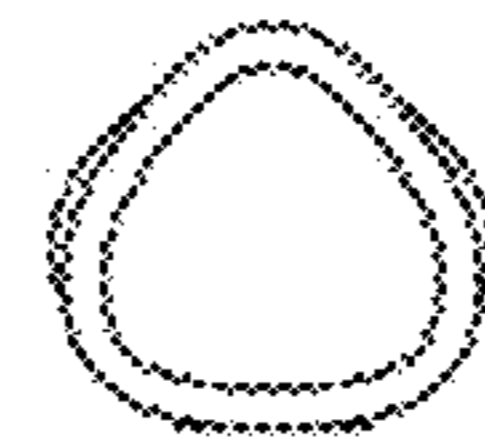


FIG. 21