



US00D757350S

(12) **United States Design Patent**  
**Levy et al.**

(10) **Patent No.:** **US D757,350 S**  
(45) **Date of Patent:** **\*\* May 24, 2016**

(54) **LIGHTING FIXTURE**  
(71) Applicant: **KONINKLIJKE PHILIPS N.V.**,  
Eindhoven (NL)  
(72) Inventors: **Jonathan Stuart Levy**, Somerville, MA  
(US); **Michael Fiorino**, Billerica, MA  
(US); **Chad Lockart**, Reading, MA (US)  
(73) Assignee: **KONINKLIJKE PHILIPS N.V.**,  
Eindhoven (NL)  
(\*\*) Term: **14 Years**

4,545,958 A \* 10/1985 Dopatka ..... B01L 3/50851  
422/553  
4,726,466 A \* 2/1988 Cooper ..... A61M 5/3213  
206/366  
4,772,418 A \* 9/1988 Leoncavallo ..... A61L 2/26  
206/508  
D300,877 S \* 4/1989 Cyr ..... D26/134  
4,973,315 A \* 11/1990 Sincock ..... A61M 5/3213  
206/365  
D313,651 S \* 1/1991 Michelson ..... D24/217  
D332,664 S \* 1/1993 Sincock ..... D24/130  
D338,965 S \* 8/1993 Glanz ..... D24/226  
D396,999 S \* 8/1998 Boothe ..... D7/610  
D399,672 S \* 10/1998 Boeger ..... D6/682.2  
5,922,289 A \* 7/1999 Wong ..... B01L 3/5085  
422/553

(21) Appl. No.: **29/495,438**  
(22) Filed: **Jul. 1, 2014**

(Continued)

(30) **Foreign Application Priority Data**  
Jan. 7, 2014 (EM) ..... 002493676-0001  
(51) **LOC (10) Cl.** ..... **26-99**  
(52) **U.S. Cl.**  
USPC ..... **D26/121**  
(58) **Field of Classification Search**  
USPC ..... D26/9, 10, 12, 13, 15, 16, 24, 51, 61,  
D26/72, 76, 80, 81, 85, 86, 88, 90, 113, 118,  
D26/119, 120, 122, 128, 129, 138, 143, 144,  
D26/5, 6, 11, 79, 114, 116, 131, 137, 135;  
D13/180; D10/18, 21, 24, 25, 27, 28,  
D10/46, 93, 104.1, 113, 114, 116.1; D17/99  
CPC ..... B60Q 1/04; B60Q 1/26; F21S 8/026;  
F21S 8/04; F21V 29/004; F21V 21/02;  
F21V 21/04; F21V 29/2212; F21V 37/002;  
F21Y 2101/02; F21L 19/00; F23D 11/443;  
A61L 9/037  
See application file for complete search history.

**OTHER PUBLICATIONS**

Tow Hook Receiver, image post date 2008, site visited Jul. 28, 2015,  
(online), <<http://www.renline.com/No-Holes-Billet-License-Plate-Mount/productinfo/E1070.1080/>>.\*

(Continued)

*Primary Examiner* — Kevin Rudzinski  
*Assistant Examiner* — Sean D Lough

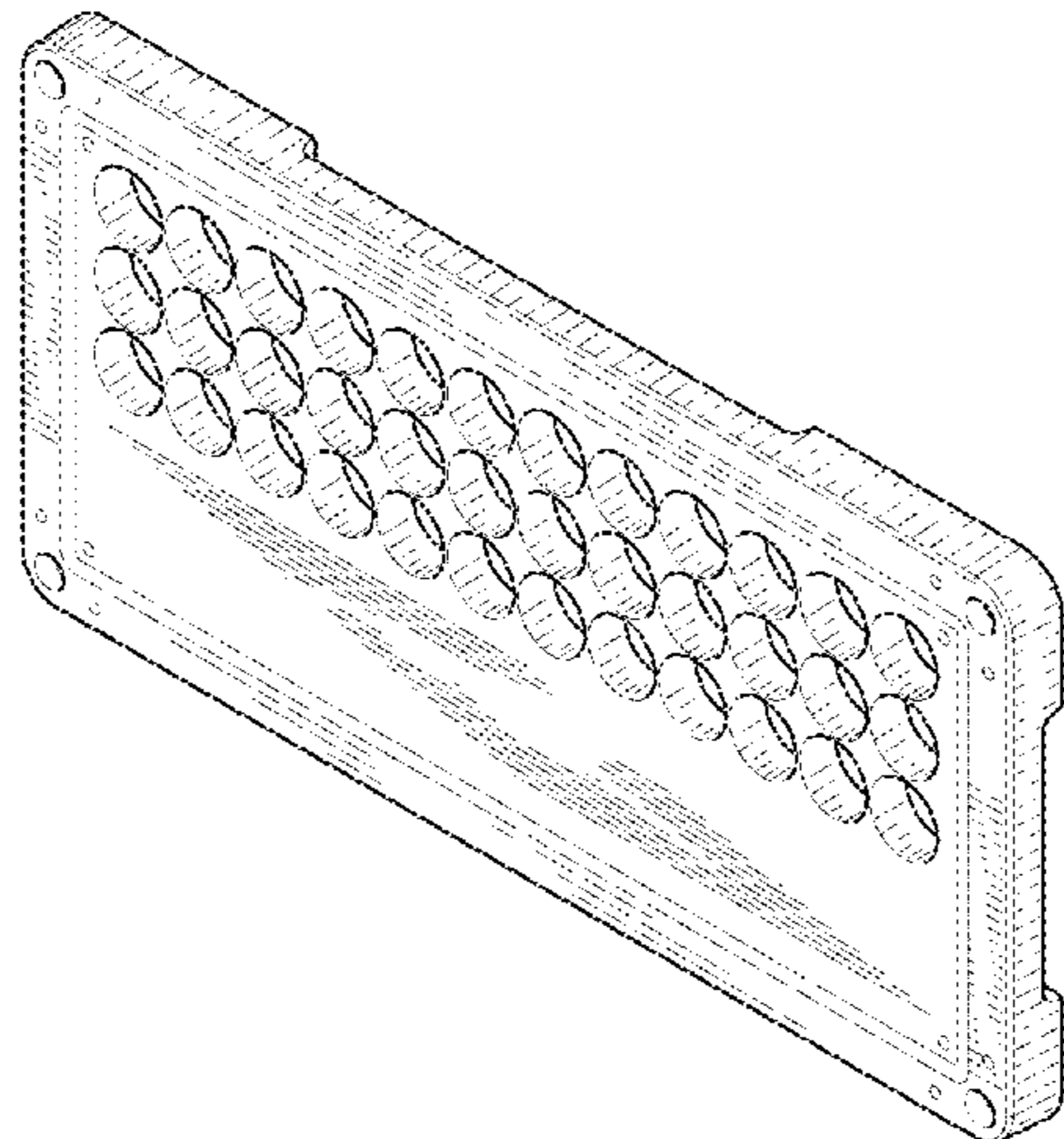
(57) **CLAIM**  
The ornamental design for the lighting fixture, as shown and  
described.

**DESCRIPTION**

FIG. 1 is a perspective view showing my design;  
FIG. 2 is a front elevation view thereof;  
FIG. 3 is a rear elevation view thereof;  
FIG. 4 is a right side elevation view thereof;  
FIG. 5 is a left side elevation view thereof;  
FIG. 6 is a top plan view thereof; and,  
FIG. 7 is a bottom plan view thereof.  
The broken lines are included for the purpose of illustrating  
portions of the lighting fixture that form no part of the claimed  
design.

(56) **References Cited**  
U.S. PATENT DOCUMENTS  
4,154,795 A \* 5/1979 Thorne ..... B01L 3/5085  
206/460  
D259,738 S \* 6/1981 Boschetti ..... D24/210

**1 Claim, 3 Drawing Sheets**



(56)

References Cited

U.S. PATENT DOCUMENTS

5,989,606 A \* 11/1999 Sambrailo ..... B65D 25/108  
206/423  
D448,854 S \* 10/2001 Kuiper ..... D24/227  
6,331,280 B1 \* 12/2001 Wood ..... A61L 2/26  
206/268  
D470,962 S \* 2/2003 Chen ..... D26/63  
D493,256 S \* 7/2004 Kim ..... D24/230  
D572,539 S \* 7/2008 Swinford ..... D7/610  
D574,090 S \* 7/2008 Takada et al. .... D26/1  
D595,875 S \* 7/2009 Irvine ..... D26/24  
D595,896 S \* 7/2009 Boyer et al. .... D26/152  
D597,370 S \* 8/2009 Watkins ..... D7/354  
D603,085 S \* 10/2009 Kovacs et al. .... D26/113  
D603,189 S \* 11/2009 Raile ..... D6/682.2  
D627,498 S \* 11/2010 Chipperfield ..... D26/63  
D628,306 S \* 11/2010 Blanc ..... D24/230  
D635,795 S \* 4/2011 Buckles ..... D15/79  
D640,822 S \* 6/2011 Wildner ..... D26/89  
D642,721 S \* 8/2011 Li et al. .... D26/63  
D648,479 S \* 11/2011 Herman ..... D26/118  
D653,767 S \* 2/2012 Lovshe ..... D24/230  
D654,211 S \* 2/2012 Melzner et al. .... D26/118  
D663,971 S \* 7/2012 Raile ..... D6/682.1  
D664,285 S \* 7/2012 Toft ..... D26/118  
D667,987 S \* 9/2012 Cai ..... D26/122  
D668,246 S \* 10/2012 Fathollahi ..... D14/250  
D675,370 S \* 1/2013 Lin et al. .... D26/120  
D676,188 S \* 2/2013 Villegas ..... D26/118  
D676,595 S \* 2/2013 Giacomazzi et al. .... D26/118  
D677,400 S \* 3/2013 Blaettler ..... D24/230

D679,856 S \* 4/2013 Guercio et al. .... D26/118  
D681,261 S \* 4/2013 Miyatake et al. .... D26/120  
D681,866 S \* 5/2013 Lin et al. .... D26/120  
D686,749 S \* 7/2013 Trump ..... D24/230  
8,579,461 B2 \* 11/2013 Fournier et al. .... 362/183  
D704,261 S \* 5/2014 Kim ..... D19/85  
D706,974 S \* 6/2014 Nikayin et al. .... D26/138  
D708,385 S \* 7/2014 Krogman et al. .... D26/118  
D721,180 S \* 1/2015 Rollins et al. .... D24/186  
RE45,354 E \* 2/2015 Morgan ..... D26/84  
D722,193 S \* 2/2015 Boyer et al. .... D26/89  
D724,196 S \* 3/2015 Turner ..... D23/415  
D725,820 S \* 3/2015 Hargreaves ..... D26/138  
D730,340 S \* 5/2015 Akana ..... D14/250  
D730,570 S \* 5/2015 Chen ..... D26/128  
D732,729 S \* 6/2015 McKechnie et al. .... D26/118  
D743,047 S \* 11/2015 Asao ..... D24/226  
2007/0259247 A1 \* 11/2007 Kibune ..... H01M 8/04186  
429/482  
2008/0182633 A1 \* 7/2008 Imaizumi ..... H04M 1/0249  
455/575.1  
2011/0273885 A1 \* 11/2011 de Bevilacqua ..... 362/249.02  
2012/0274195 A1 \* 11/2012 Thompson ..... H04M 1/0283  
312/237

OTHER PUBLICATIONS

Air Filter, image post date Jul. 18, 2012, site visited Nov. 20, 2015, (online), <<http://reviews.justhomemedical.com/review/DEV-561-502/Air-Filters-for-DeVilbiss-PulmoAide-Nebulizer-Compressor-5610D-pack-of-12>>.\*

\* cited by examiner

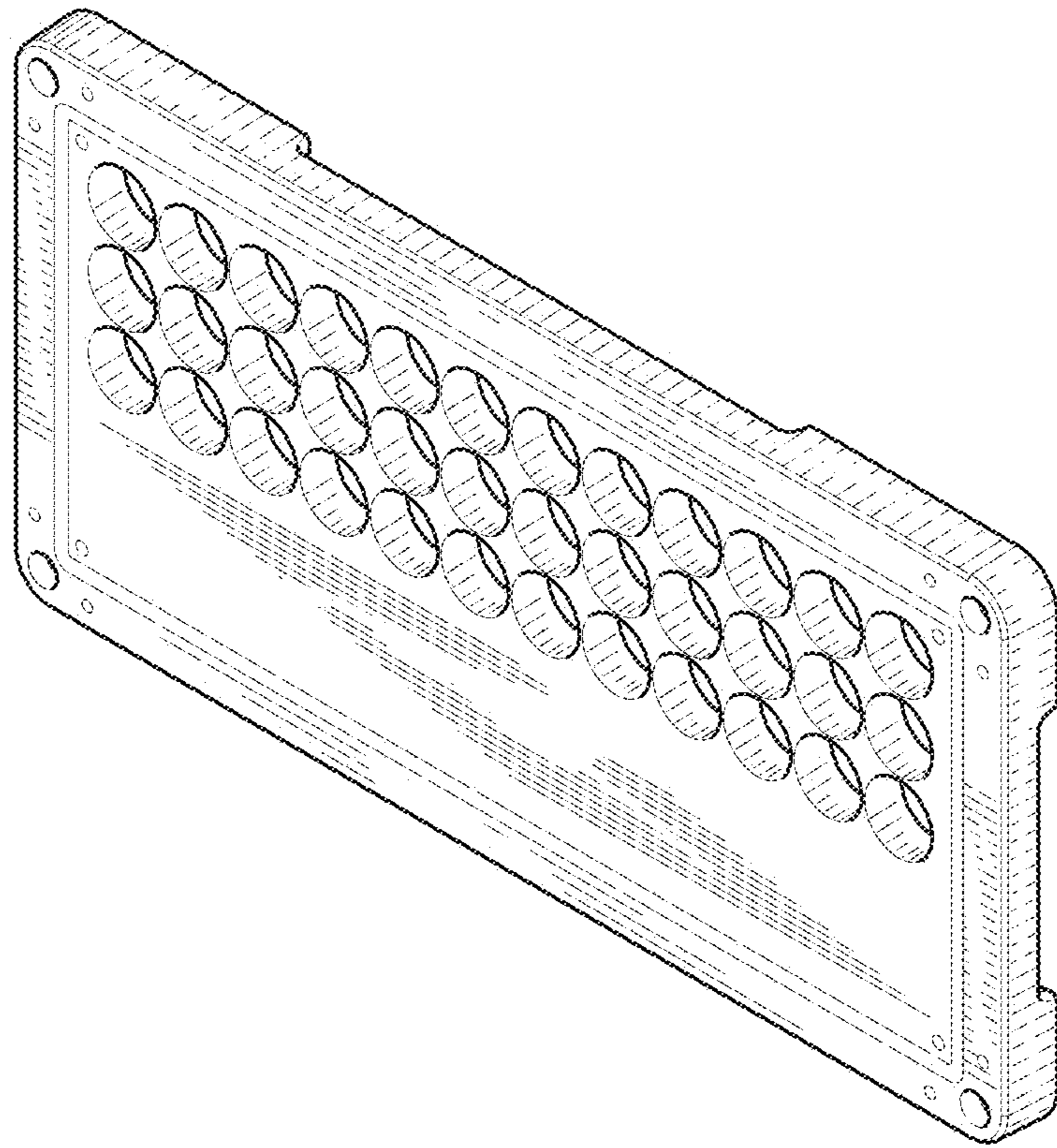


FIG. 1

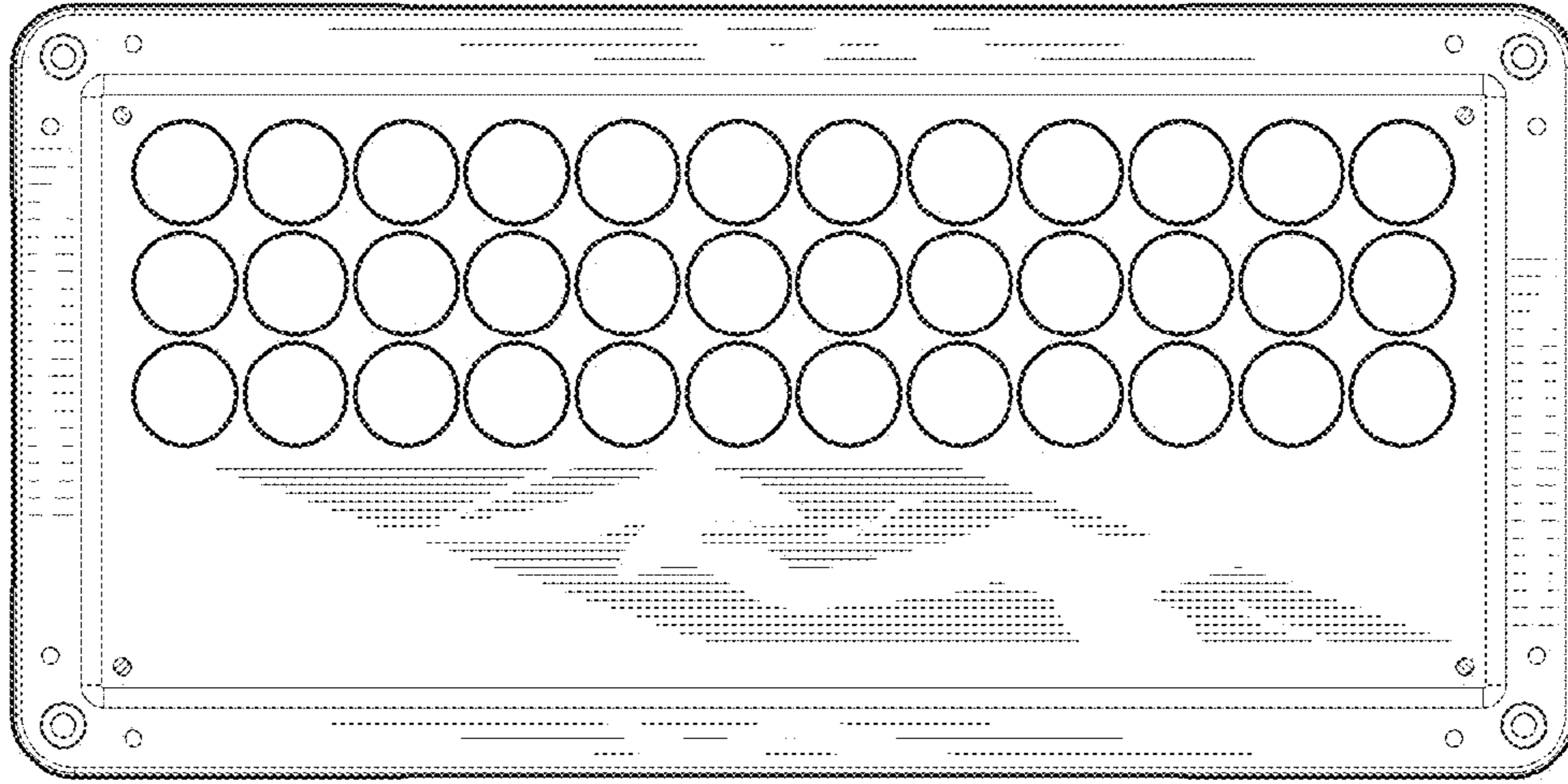


FIG. 2

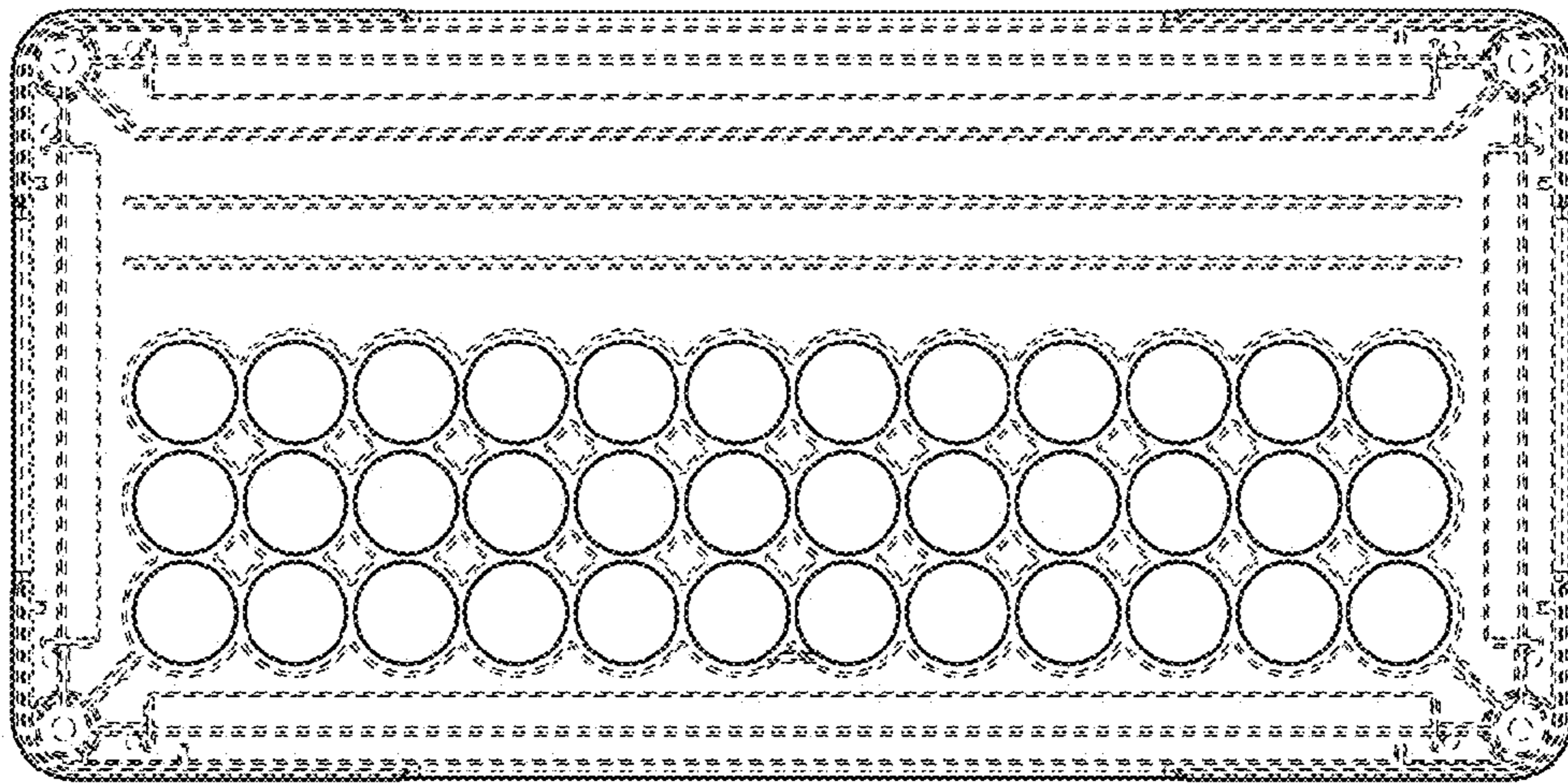


FIG. 3



FIG. 4

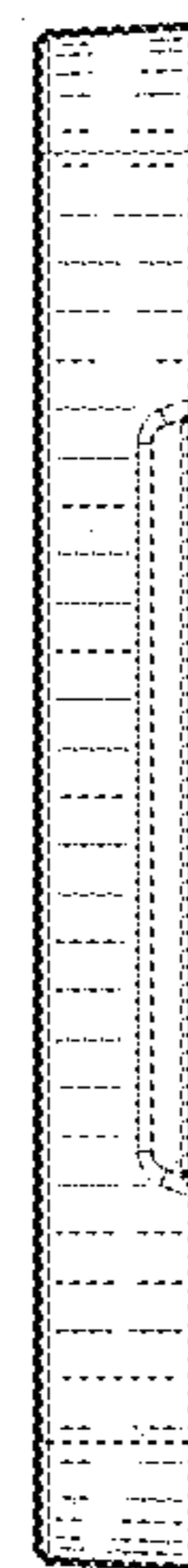


FIG. 5

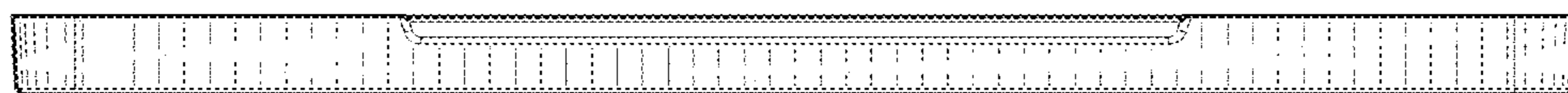


FIG. 6

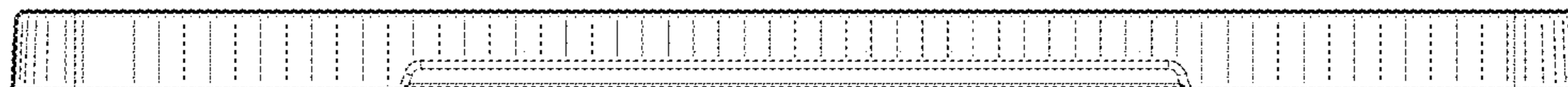


FIG. 7