



US00D757349S

(12) **United States Design Patent**  
**Wilcox et al.**

(10) **Patent No.:** **US D757,349 S**  
(45) **Date of Patent:** **\*\* May 24, 2016**

(54) **LIGHTING APPARATUS**

(71) Applicant: **CREE, INC.**, Durham, NC (US)  
(72) Inventors: **Kurt S. Wilcox**, Libertyville, IL (US);  
**John W. Durkee**, Raleigh, NC (US);  
**James Michael Lay**, Apex, NC (US)

(73) Assignee: **Cree, Inc.**, Durham, NC (US)

(\*\*) Term: **14 Years**

(21) Appl. No.: **29/522,924**

(22) Filed: **Apr. 3, 2015**

**Related U.S. Application Data**

(60) Division of application No. 29/492,523, filed on May 30, 2014, and a continuation-in-part of application No. PCT/US2014/013937, filed on Jan. 30, 2014, and a continuation-in-part of application No. 13/842,521, filed on Mar. 15, 2013.

(51) **LOC (10) Cl.** ..... **26-99**

(52) **U.S. Cl.**  
USPC ..... **D26/120**

(58) **Field of Classification Search**  
USPC ..... D26/9, 10, 12, 13, 15, 16, 24, 51, 61,  
D26/72, 76, 80, 81, 85, 86, 88, 90, 113, 118,  
D26/119, 120, 122, 128, 129, 138, 143,  
D26/144; D13/180  
CPC ..... F21V 21/04; F21V 29/2212; F21V 21/02;  
F21V 29/004; F21S 8/04; F21S 8/026; F21Y  
2101/02

See application file for complete search history.

(56) **References Cited**

U.S. PATENT DOCUMENTS

2,401,635	A *	6/1946	Guth	.....	362/224
D148,695	S *	2/1948	Guth et al.	.....	D26/76
D168,812	S *	2/1953	Ulrick	.....	D26/67
D321,407	S *	11/1991	Heidmann	.....	D26/72

(Continued)

OTHER PUBLICATIONS

44W LED, image post date 2013, site visited Jan. 8, 2015, (online), <<http://www.nobes-panellight.com/cn/products/24.htm>>.\*

(Continued)

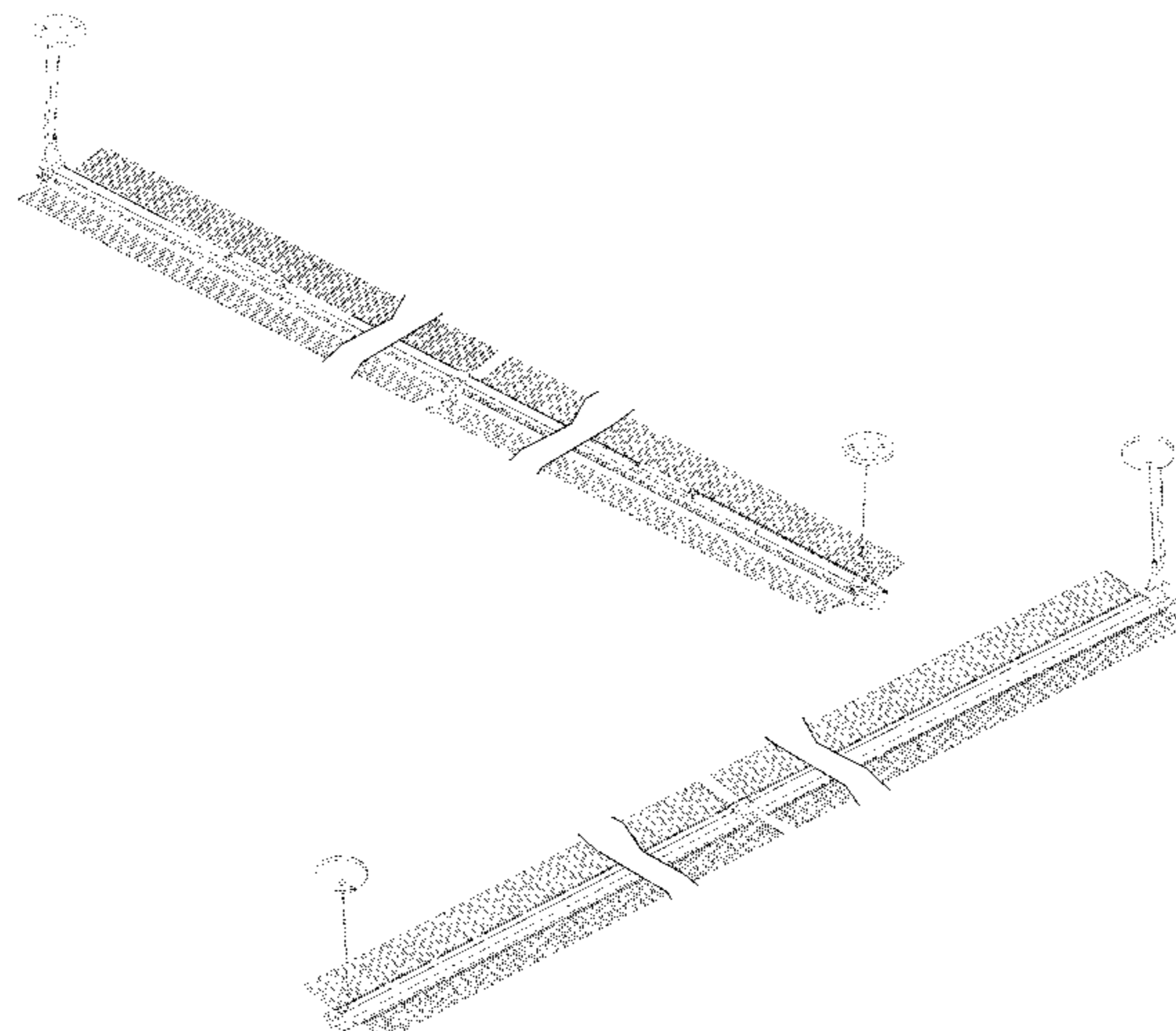
*Primary Examiner* — Kevin Rudzinski  
*Assistant Examiner* — Sean D Lough  
(74) *Attorney, Agent, or Firm* — McCracken & Gillen LLC

(57) **CLAIM**  
The ornamental design for a lighting apparatus, as shown and described herein.

**DESCRIPTION**

FIG. 1 is a top perspective view of an ornamental design for a lighting apparatus;  
FIG. 2 is a bottom perspective view of the lighting apparatus of FIG. 1;  
FIG. 3 is a front elevation view of the lighting apparatus of FIG. 1;  
FIG. 4 is a back elevation view the lighting apparatus of FIG. 1;  
FIG. 5 is left elevation view of the lighting apparatus of FIG. 1;  
FIG. 6 is a right elevation view of the lighting apparatus of FIG. 1;  
FIG. 7 is a plan view of the lighting apparatus of FIG. 1; and, FIG. 8 is a bottom plan view of the lighting apparatus of FIG. 1.  
The broken lines (where present) in all figures illustrate portions of the lighting apparatus that form no part of the claimed design.  
The lighting apparatus is shown with a break in the middle of the design. The portions of the design not shown form no part of the claimed design.

**1 Claim, 4 Drawing Sheets**



(56)

References Cited

U.S. PATENT DOCUMENTS

D332,318 S \* 1/1993 Reding ..... D26/24  
 5,274,533 A \* 12/1993 Neary et al. .... 362/225  
 5,357,413 A \* 10/1994 Mandall ..... 362/300  
 D364,478 S \* 11/1995 Pesau ..... D26/76  
 5,521,801 A \* 5/1996 Pesau et al. .... 362/147  
 D414,287 S \* 9/1999 Sapper ..... D26/76  
 6,161,939 A \* 12/2000 Bansbach ..... 362/223  
 D446,333 S \* 8/2001 Frois ..... D26/76  
 D463,061 S \* 9/2002 Ludwig ..... D26/118  
 D464,161 S \* 10/2002 Nourishad ..... D26/78  
 D472,667 S \* 4/2003 Herst et al. .... D26/118  
 D496,121 S \* 9/2004 Santoro ..... D26/74  
 D496,748 S \* 9/2004 Herst et al. .... D26/77  
 D505,221 S \* 5/2005 Hetfield ..... D26/76  
 D511,221 S \* 11/2005 Zucker ..... D26/76  
 D513,439 S \* 1/2006 Hetfield ..... D26/76  
 D520,666 S \* 5/2006 Kotovsky et al. .... D26/76  
 7,156,539 B2 \* 1/2007 Cronk ..... 362/297  
 D544,628 S \* 6/2007 Quintal ..... D26/76  
 7,267,461 B2 \* 9/2007 Kan et al. .... 362/373  
 D565,207 S \* 3/2008 Uemoto et al. .... D26/24  
 D565,778 S \* 4/2008 Pedersen ..... D26/84  
 D595,446 S \* 6/2009 Pedersen ..... D26/84  
 D600,394 S \* 9/2009 Ambruster ..... D26/91  
 D604,002 S \* 11/2009 Santoro ..... D26/76  
 D616,138 S \* 5/2010 Lasthein et al. .... D26/76  
 D621,086 S \* 8/2010 Purcell ..... D26/76  
 D626,268 S \* 10/2010 Santoro ..... D26/76  
 D646,825 S \* 10/2011 Tolbert et al. .... D26/70  
 D649,282 S \* 11/2011 McDonald et al. .... D26/118  
 D649,677 S \* 11/2011 Wegger et al. .... D26/90  
 D649,686 S \* 11/2011 Trzesniowski ..... D26/138  
 D653,791 S \* 2/2012 Toyohisa et al. .... D26/80  
 D655,442 S \* 3/2012 Sabernig ..... D26/88  
 RE43,456 E \* 6/2012 Verfuether et al. .... D26/118  
 D689,647 S \* 9/2013 Brott et al. .... D26/88  
 D703,361 S \* 4/2014 Kondou et al. .... D26/85  
 D704,374 S \* 5/2014 Notaney et al. .... D26/118  
 D704,878 S \* 5/2014 Wilson et al. .... D26/76  
 8,830,080 B2 \* 9/2014 Ivey et al. .... 340/815.4  
 8,899,779 B2 \* 12/2014 Linehan et al. .... 362/224  
 D721,645 S \* 1/2015 Brown ..... D13/102  
 8,963,426 B2 \* 2/2015 Chen et al. .... 315/86

D724,249 S \* 3/2015 Maxik et al. .... D26/76  
 D724,776 S \* 3/2015 Sonneman ..... D26/85  
 D725,816 S \* 3/2015 Fissell ..... D26/113  
 9,004,716 B2 \* 4/2015 Ai ..... 362/219  
 D729,423 S \* 5/2015 Noh et al. .... D26/24  
 D730,564 S \* 5/2015 Waldmann ..... D26/92  
 D730,568 S \* 5/2015 Mahowald ..... D26/118  
 9,030,120 B2 \* 5/2015 Pickard et al. .... 315/291  
 D732,226 S \* 6/2015 Hartman ..... D26/76  
 D732,721 S \* 6/2015 Popper et al. .... D26/49  
 D733,347 S \* 6/2015 Dungan et al. .... D26/76  
 9,045,688 B2 \* 6/2015 Li  
 9,046,256 B2 \* 6/2015 Szprengiel et al.  
 9,046,260 B2 \* 6/2015 Dial  
 D733,952 S \* 7/2015 Lay et al. .... D26/75  
 D734,517 S \* 7/2015 Rigolio ..... D26/28  
 9,080,756 B2 \* 7/2015 Man  
 2006/0158879 A1 \* 7/2006 Clark et al. .... 362/223  
 2010/0180481 A1 \* 7/2010 Parizek et al. .... 40/610  
 2014/0347885 A1 \* 11/2014 Wilcox et al. .... 362/612

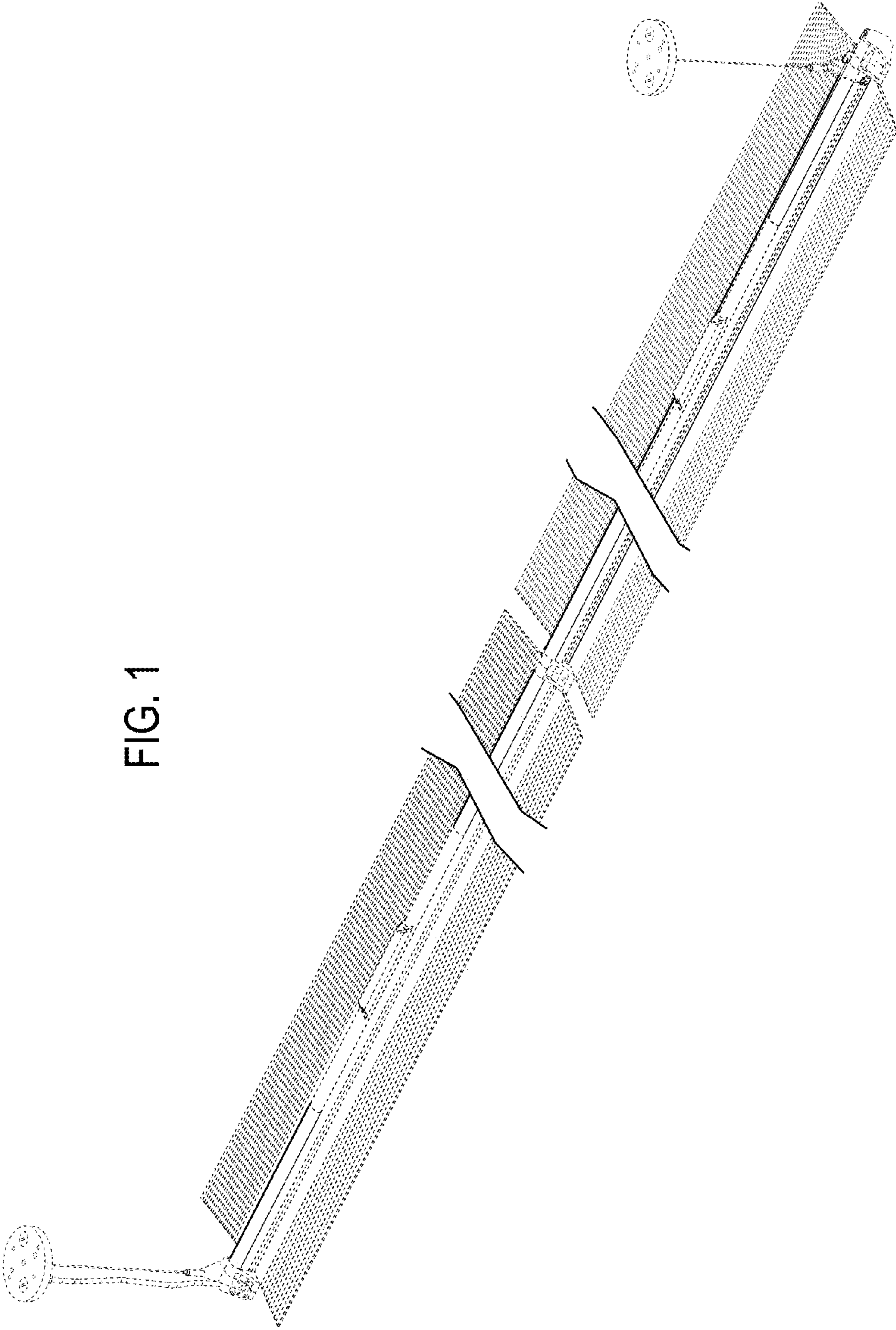
OTHER PUBLICATIONS

Foscarini Falena Wall or Ceiling Light, image post date Nov. 27, 2003, site visited Jan. 8, 2015, (online), <<http://www.ylighting.com/foscarini.html>>.\*  
 Foscarini Falena Wall or Ceiling Light from Wayback Machine, image post date Jan. 8, 2015, site visited Jan. 8, 2015, (online), <[http://web.archive.org/web/20031127124549\\*/http://www.ylighting.com/foscarini.html](http://web.archive.org/web/20031127124549*/http://www.ylighting.com/foscarini.html)>.\*  
 Butterfly Shape Ceiling Pendant Lamp, image post date May 16, 2010, site visited Jan. 8, 2015, (online), <<http://blog.minisign.cn/tag/led-light/>>.\*  
 Butterfly Shape Ceiling Pendant Lamp from Wayback Machine, image post date Jan. 8, 2015, site visited Jan. 8, 2015, (online), <[http://web.archive.org/web/20100401000000\\*/http://blog.minisign.cn/tag/led-light/](http://web.archive.org/web/20100401000000*/http://blog.minisign.cn/tag/led-light/)>.\*  
 LED Linear Light Fixture, image post date Nov. 18, 2013, site visited Jan. 9, 2015, (online), <<http://www.homedepot.com/p/Cree-40-in-LED-Linear-Light-Fixture-RL40-40L-35K/204336646>>.\*  
 LED Single Tube Pendant Light, image post date 2010, site visited Jan. 8, 2015, (online), <[http://www.globalhk.net/Product/led\\_pendant.htm](http://www.globalhk.net/Product/led_pendant.htm)>.\*

\* cited by examiner



FIG. 1



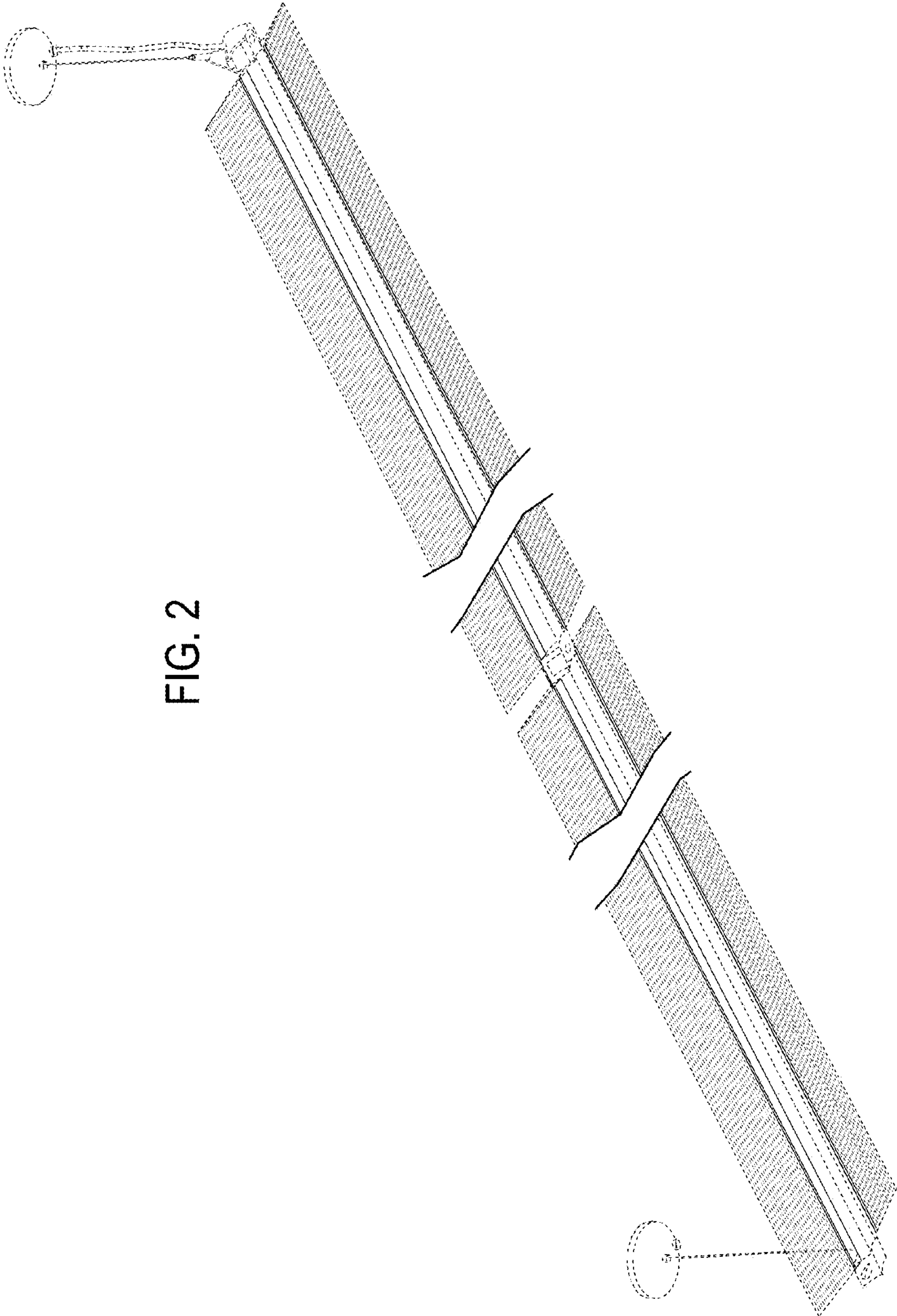


FIG. 2

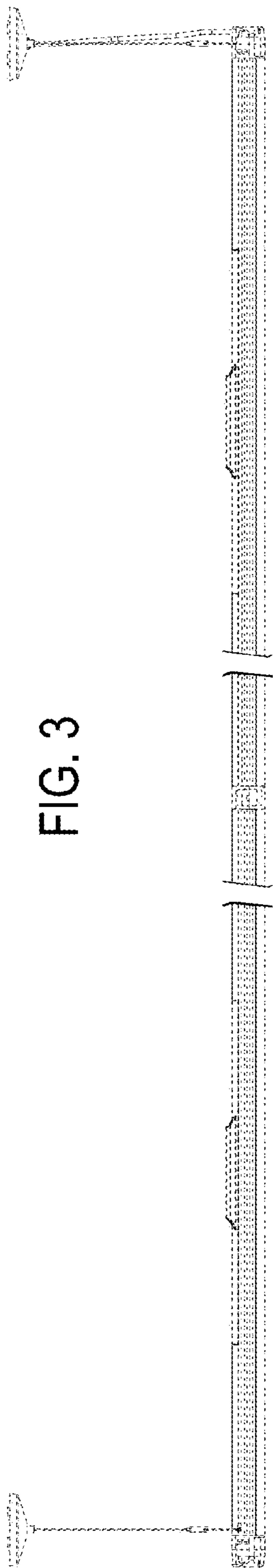


FIG. 3

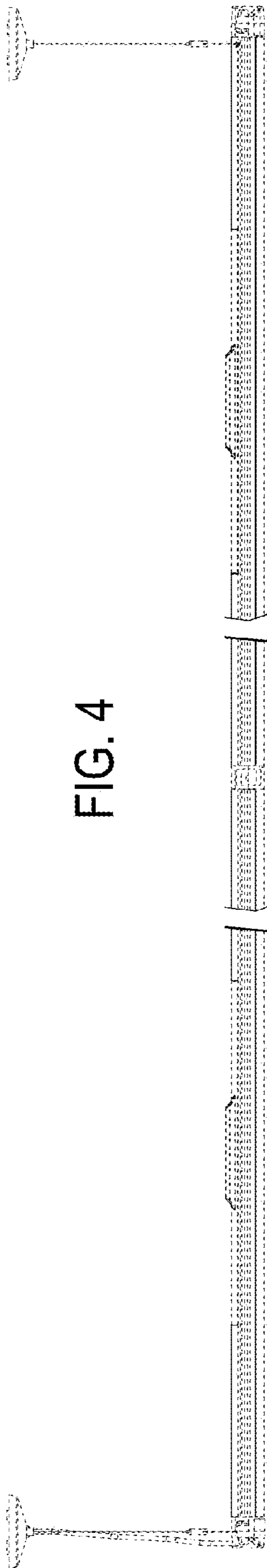


FIG. 4

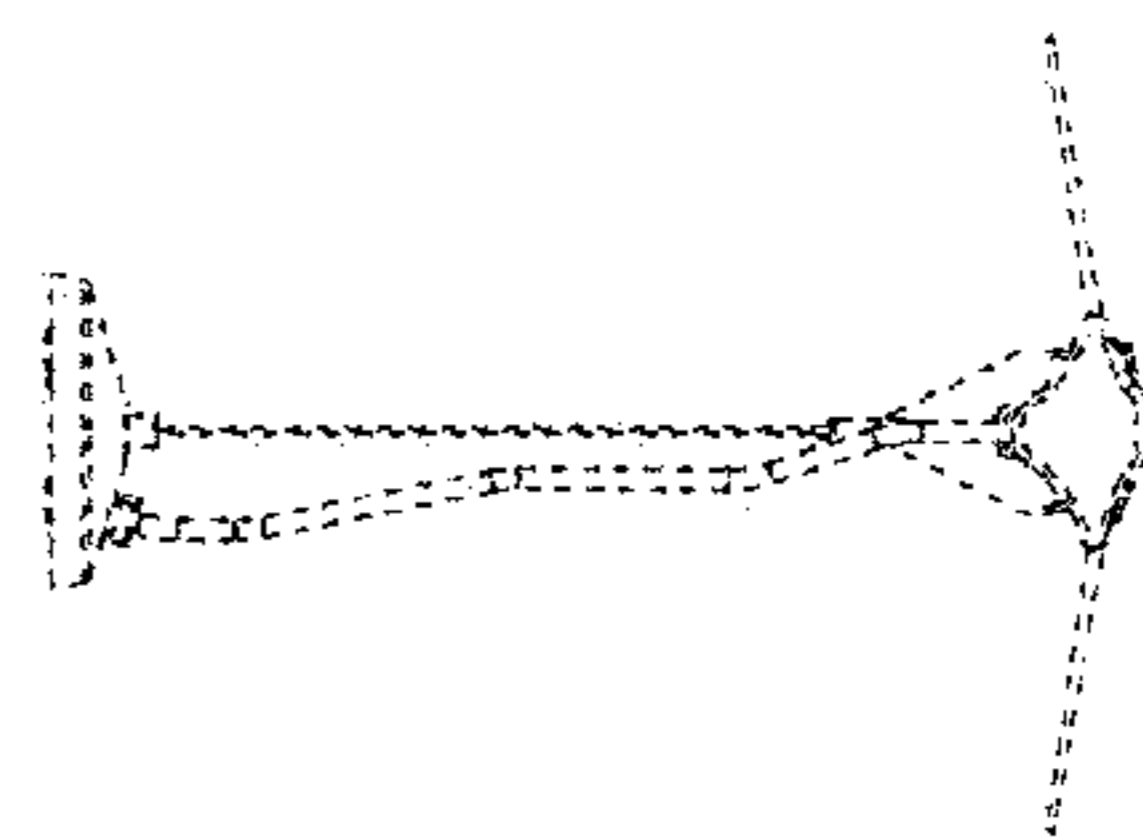


FIG. 5

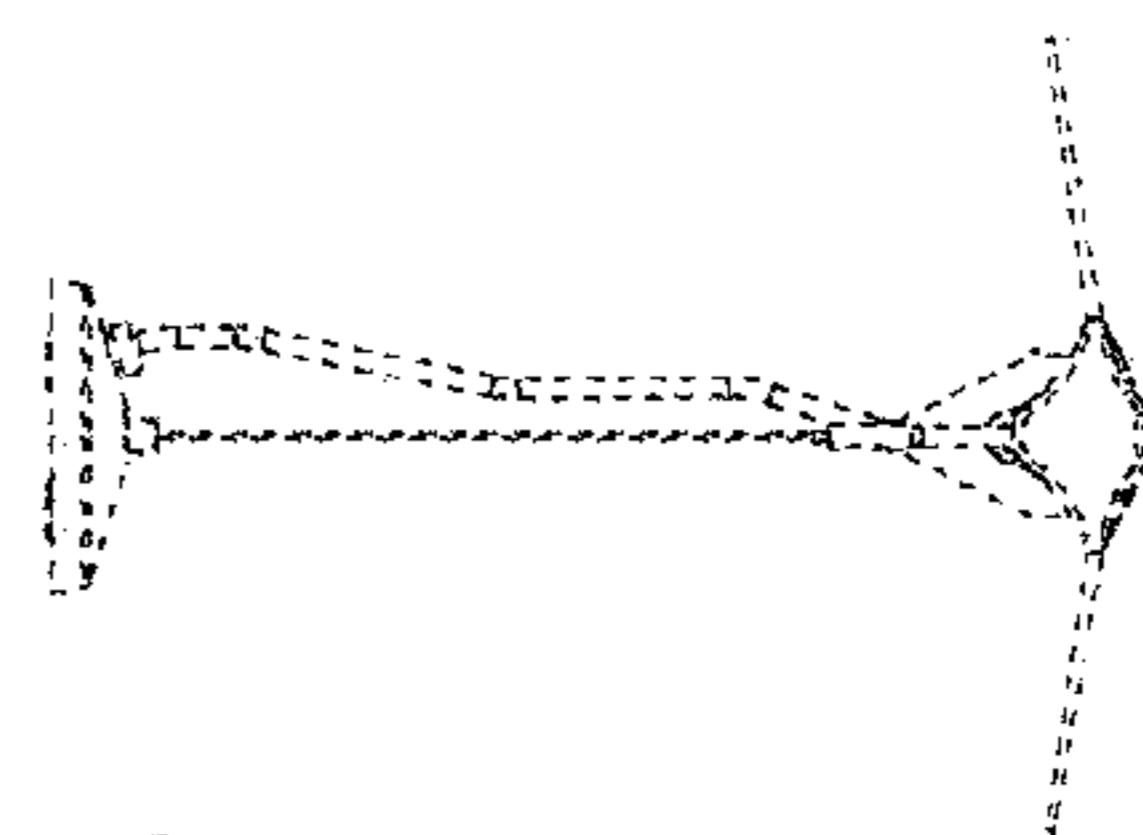


FIG. 6



FIG. 7

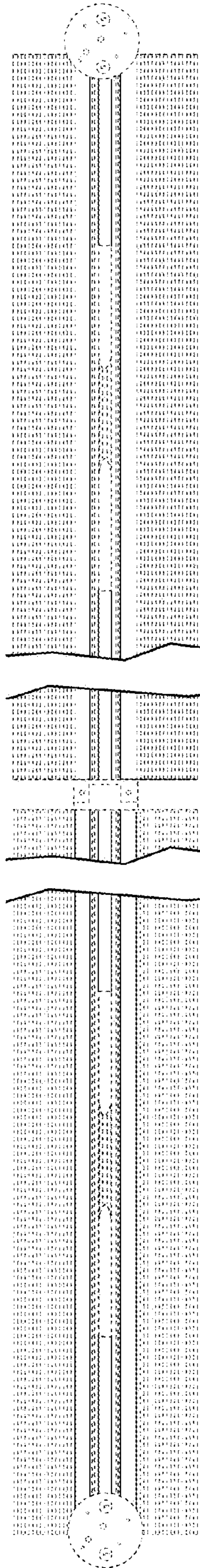


FIG. 8

