



US00D757347S

(12) **United States Design Patent**
Chen

(10) **Patent No.:** **US D757,347 S**

(45) **Date of Patent:** **** May 24, 2016**

(54) **WALL LAMP**

(71) Applicant: **Chia-Teh Chen**, Taipei (TW)

(72) Inventor: **Chia-Teh Chen**, Taipei (TW)

(**) Term: **14 Years**

(21) Appl. No.: **29/516,829**

(22) Filed: **Feb. 6, 2015**

(51) **LOC (10) Cl.** **26-99**

(52) **U.S. Cl.**
USPC **D26/120**

(58) **Field of Classification Search**

USPC D26/2, 28, 60, 72, 89, 104, 113, 118,
D26/119, 120, 122, 124, 128, 138, 142, 143,
D26/145; D13/102, 103, 107, 108, 179, 180
CPC H01L 2224/48137; F21V 29/006;
F21V 9/08; F21V 9/12; F21V 14/02; F21V
21/08; F21V 21/14; F21V 21/22; F21V 21/29;
F21V 21/30; F21V 23/0442; F21V 23/0492;
F21V 23/04; F21V 33/0052; F21Y 2101/02;
F21Y 2103/00; F21Y 2103/025; F21Y
2105/00; F21K 9/00; F21S 2/005; F21S
4/008; F21S 8/035; F21S 8/038; F21S 9/022;
F21S 10/00; F21S 10/002; F21W 2121/00;
G01S 3/7864; H04N 5/2252; H04N 5/23241;
H04N 7/181; Y02B 10/30; Y10S 362/80

See application file for complete search history.

(56) **References Cited**

U.S. PATENT DOCUMENTS

D264,253 S * 5/1982 Goldschmidt D26/63
D301,634 S * 6/1989 DeCandia D26/63
5,649,761 A * 7/1997 Sandell F21V 17/02
362/276
5,667,291 A * 9/1997 Caplan F21V 21/084
362/105
6,638,450 B2 * 10/2003 Richard B29D 11/0073
264/1.32
D505,220 S * 5/2005 Stekelenburg D26/61
D516,234 S * 2/2006 Holsinger D26/37
7,168,821 B2 * 1/2007 Huang G02C 11/04
24/3.1

D540,978 S * 4/2007 Cormier D26/120
7,419,284 B2 * 9/2008 Thiers B60Q 1/0041
362/421
D595,447 S * 6/2009 Purcell D26/76
D616,142 S * 5/2010 Bagnall D26/128
D628,329 S * 11/2010 Tuli D26/63
D629,959 S * 12/2010 Boissevain D26/120
D636,515 S * 4/2011 Wang D26/63
D655,858 S * 3/2012 Sabernig D26/113
D673,721 S * 1/2013 Shen D26/138
D681,253 S * 4/2013 Gordin D26/74
8,434,915 B2 * 5/2013 Liu F21L 4/00
362/269

(Continued)

OTHER PUBLICATIONS

Indoor Architectural Emergency Series EL 212, image post date 1986, site visited Jan. 27, 2016, (online), <<http://www.emergencylight.com/emergency-lights-amp-exit-signs-brands/beghelli-emergency-lighting/beghelli-architectural-emergency/01-44-el-212.html>>.*

Primary Examiner — Kevin Rudzinski

Assistant Examiner — Sean D Lough

(74) *Attorney, Agent, or Firm* — Li & Cai Intellectual Property (USA) Office

(57) **CLAIM**

The ornamental design for a “wall lamp”, as shown and described.

DESCRIPTION

FIG. 1 is a perspective view of a “wall lamp” showing the design;

FIG. 2 is a front view thereof;

FIG. 3 is a rear view thereof;

FIG. 4 is a left side view thereof;

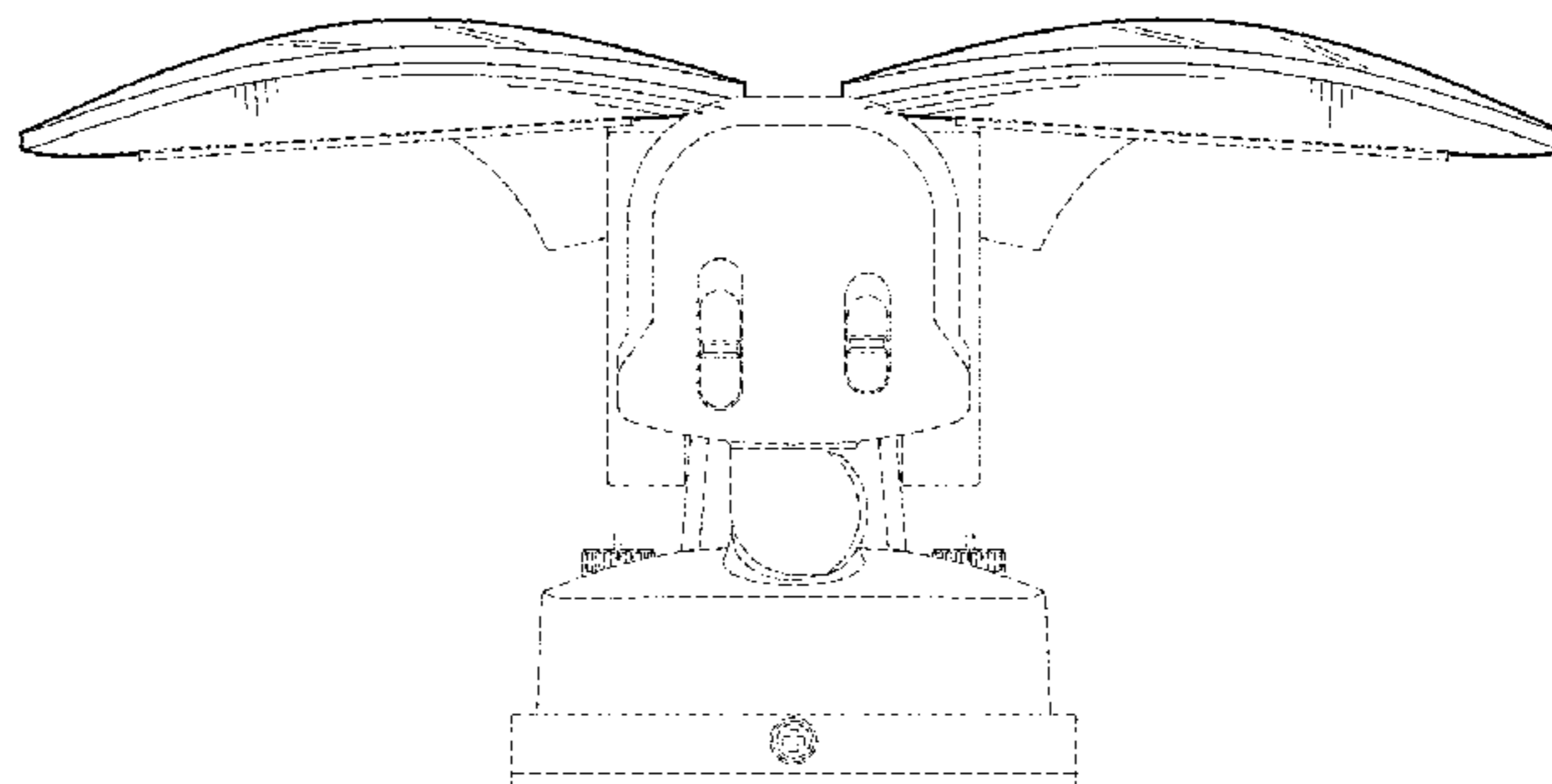
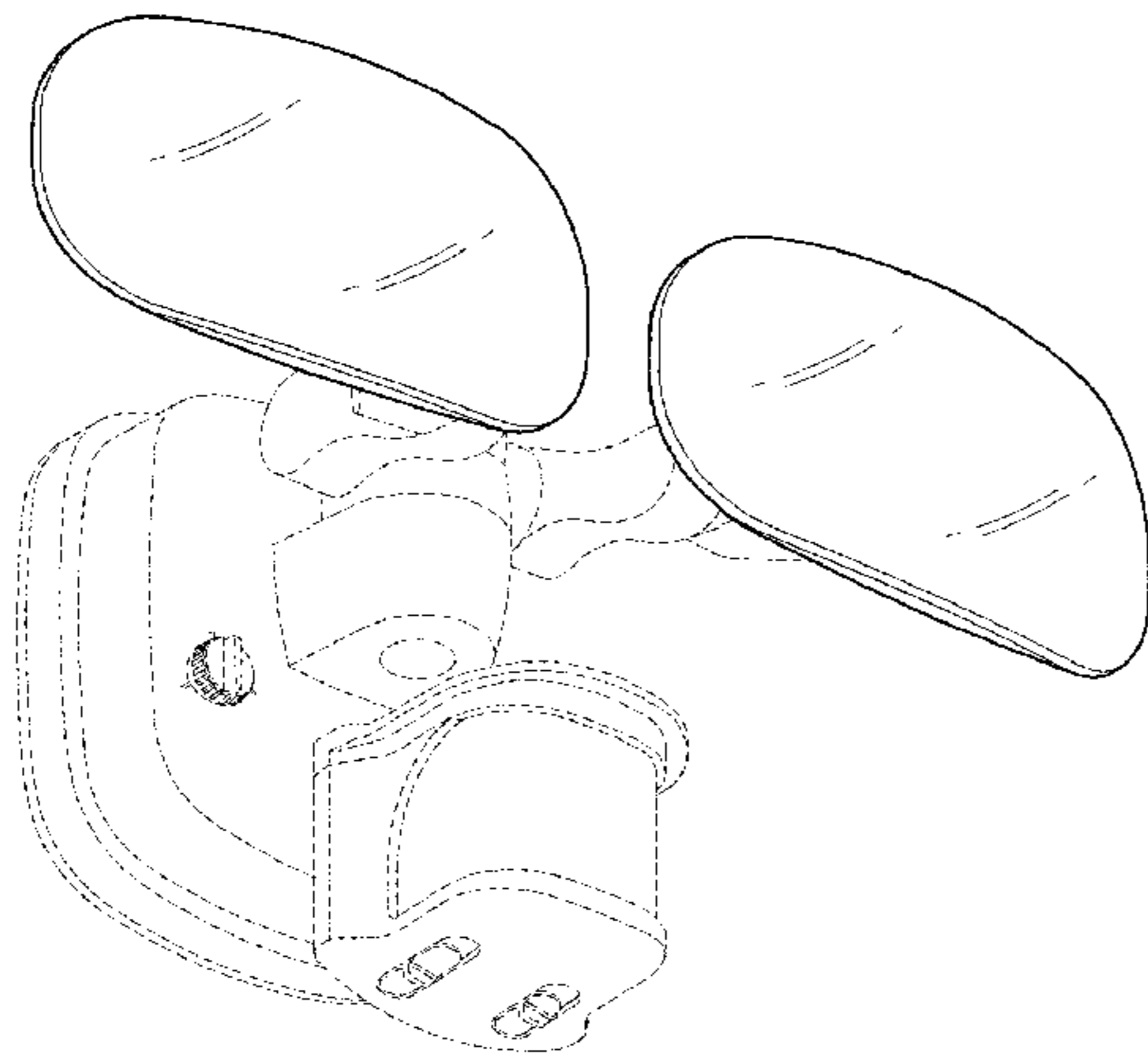
FIG. 5 is a right side view thereof;

FIG. 6 is a top view thereof; and,

FIG. 7 is a bottom view thereof.

The broken lines (where present) in all FIGS. show portions of the wall lamp that illustrates environment that forms no part of the claimed design.

1 Claim, 4 Drawing Sheets



(56)

References Cited

U.S. PATENT DOCUMENTS

D687,180 S *	7/2013	Chen	D26/118	D734,526 S *	7/2015	Gordin	D26/74
D688,403 S *	8/2013	Landefeld	D26/69	D735,927 S *	8/2015	Lee	D26/120
8,608,353 B2 *	12/2013	Girard	F21V 21/096	9,113,553 B2 *	8/2015	An	H05K 5/0217
			362/275	D737,713 S *	9/2015	Deyaf	D10/114.4
D708,388 S *	7/2014	Lee	D26/120	D739,072 S *	9/2015	Adams	D26/118
D709,242 S *	7/2014	Rogers	D26/142	D740,983 S *	10/2015	Pan	D26/28
D713,581 S *	9/2014	Chen	D26/63	D742,269 S *	11/2015	Stein	D10/114.4
D713,582 S *	9/2014	Liang	D26/63	D743,611 S *	11/2015	Wouters	D26/80
D713,950 S *	9/2014	Jepson	D23/388	D745,201 S *	12/2015	Lee	D26/63
D715,477 S *	10/2014	Yu	D26/85	9,217,550 B2 *	12/2015	Kim	F21V 3/0445
D720,093 S *	12/2014	Lee	D26/120	D747,504 S *	1/2016	Serocki	D26/1
8,944,391 B2 *	2/2015	Whiddon	B60R 11/04	D747,505 S *	1/2016	Serocki	D26/1
			248/183.2	D747,533 S *	1/2016	Bryant	D26/118
8,944,652 B2 *	2/2015	Tachiwa	B29C 45/0025	2003/0035082 A1 *	2/2003	Olney	G02C 11/08
			254/95				351/62
D727,558 S *	4/2015	Tang	D26/120	2006/0221602 A1 *	10/2006	Zick	F21L 14/02
D731,703 S *	6/2015	Yang	D26/120				362/183
D732,728 S *	6/2015	Rischau	D26/113	2007/0014115 A1 *	1/2007	Katz	F21V 21/30
							362/382
				2008/0295371 A1 *	12/2008	Hsu	G08B 7/062
							40/570

* cited by examiner

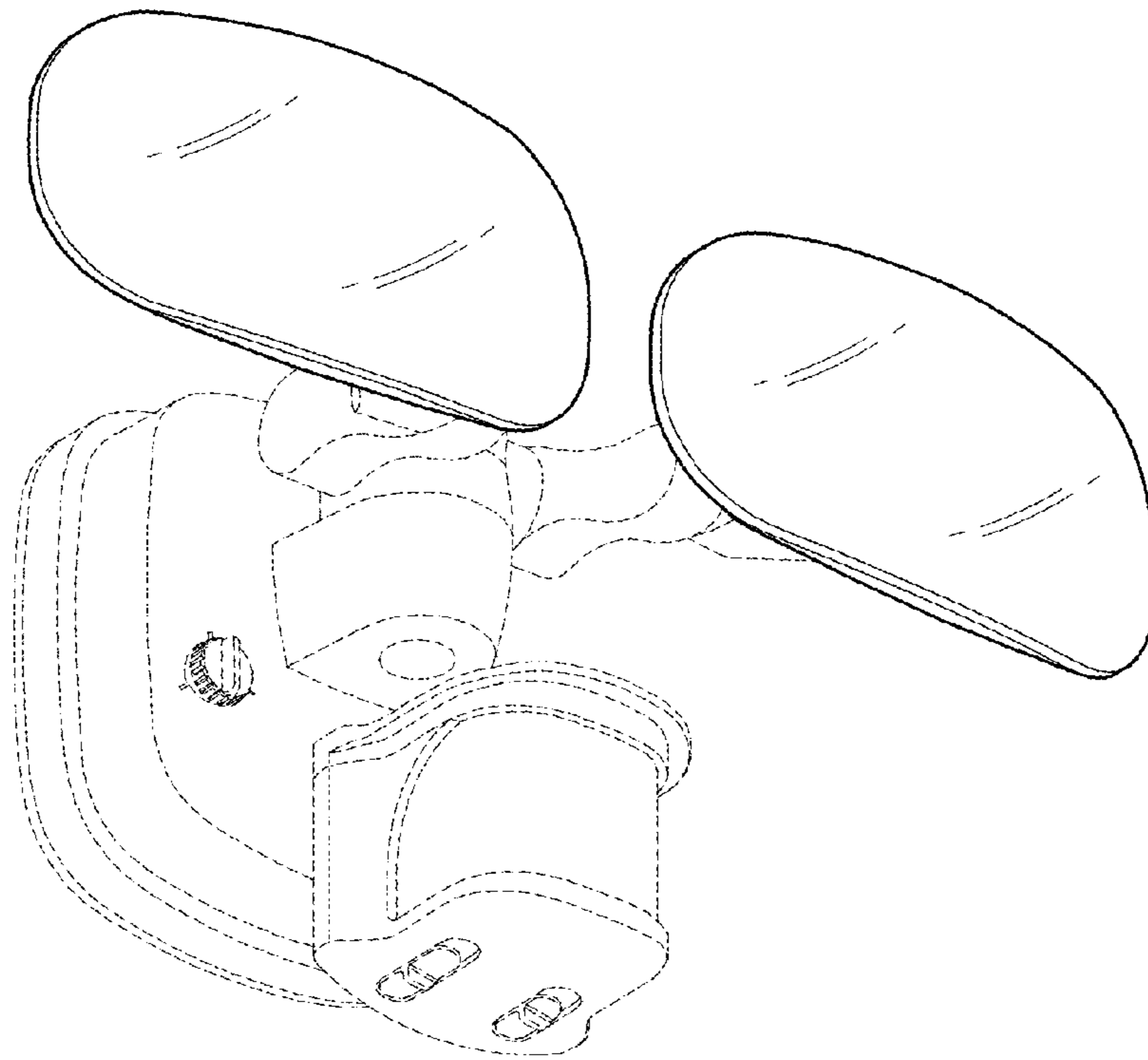


FIG.1

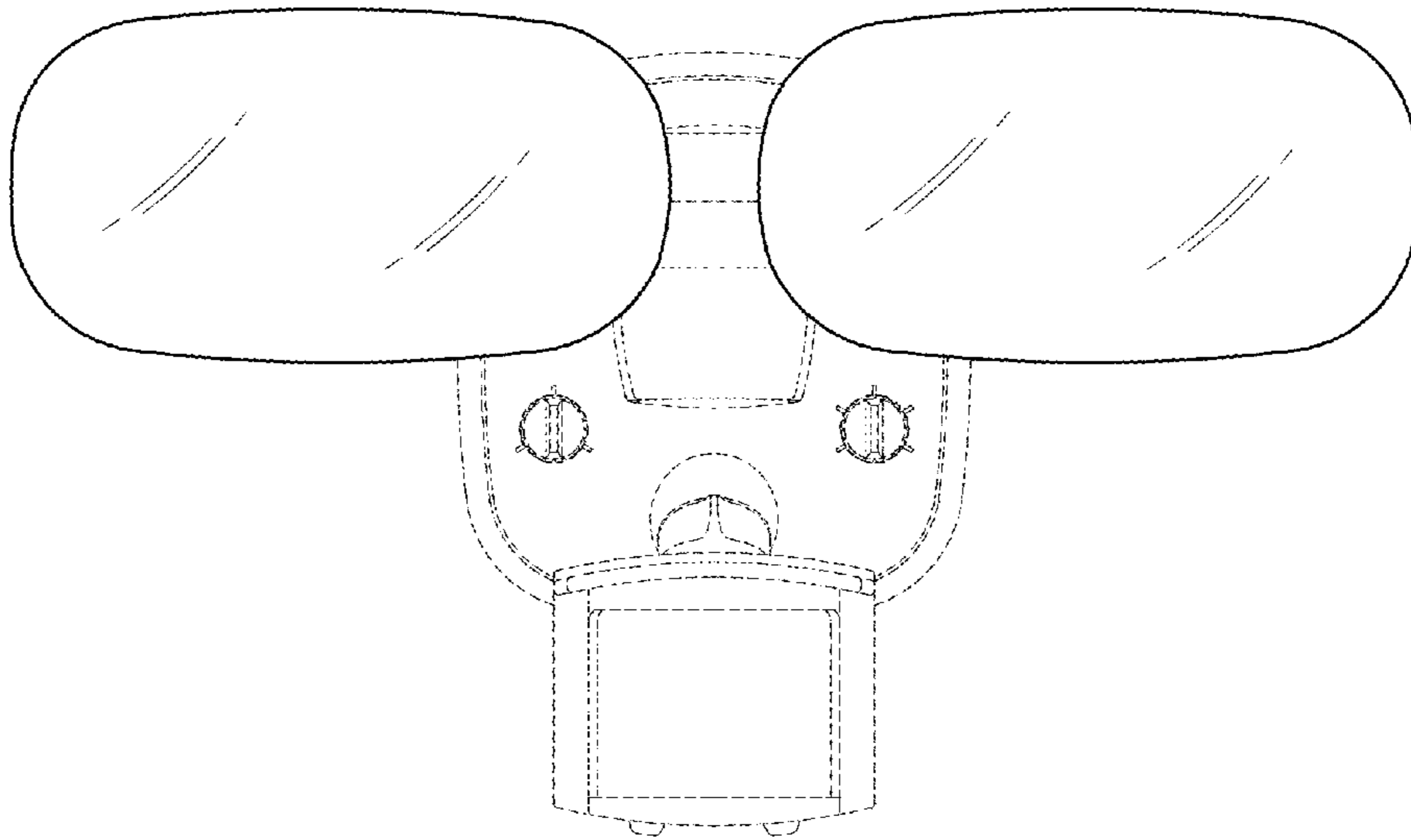


FIG. 2

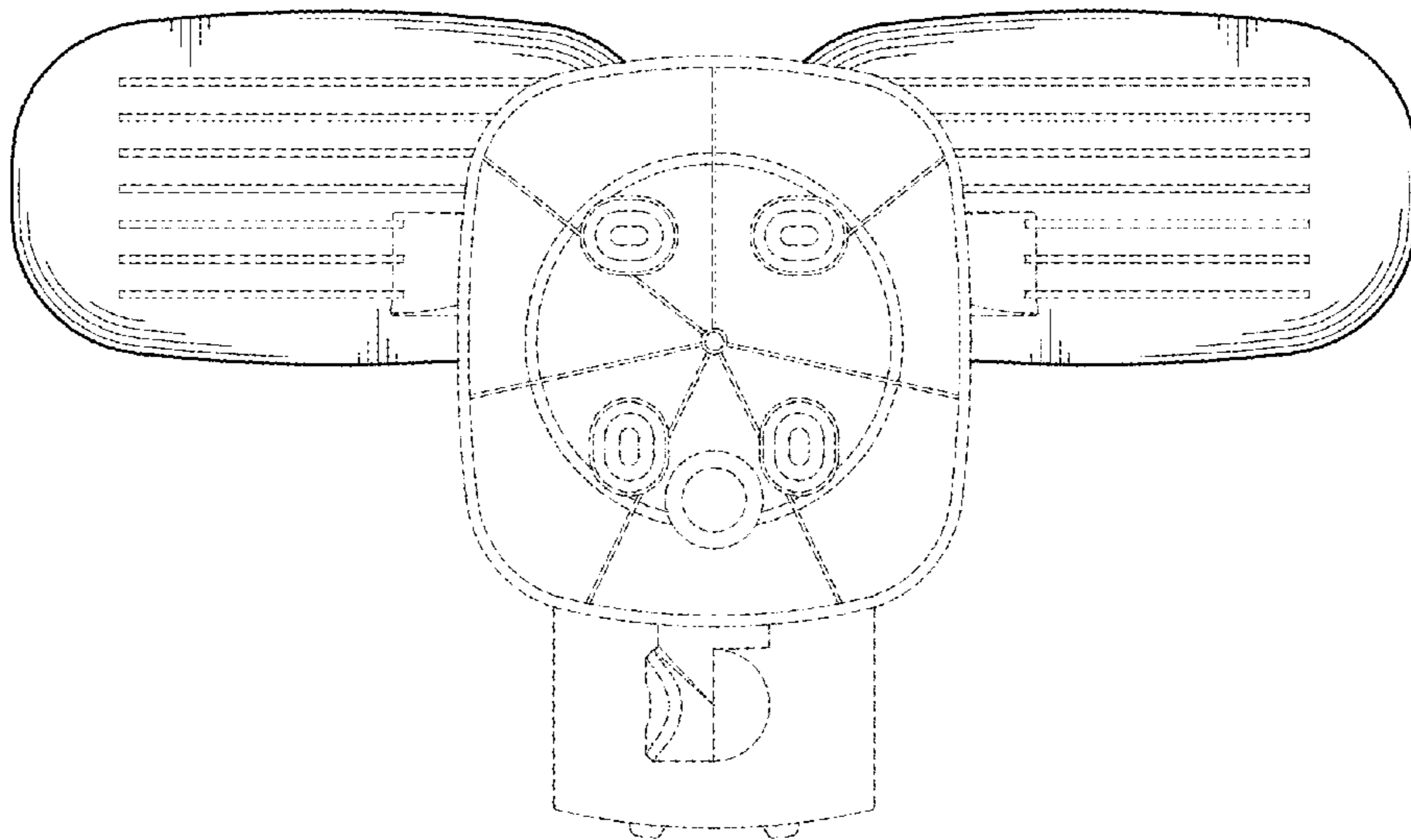


FIG. 3

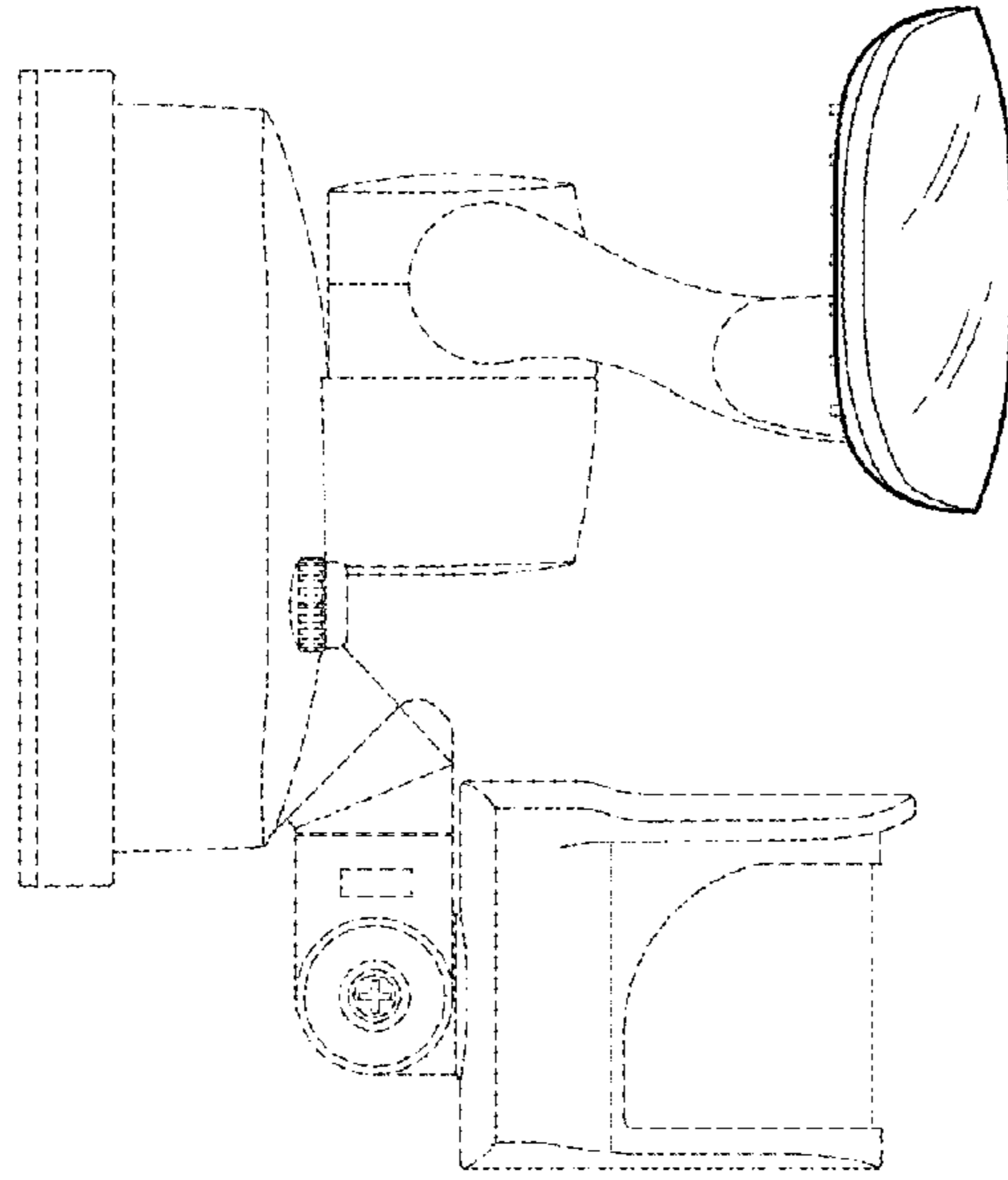


FIG. 4

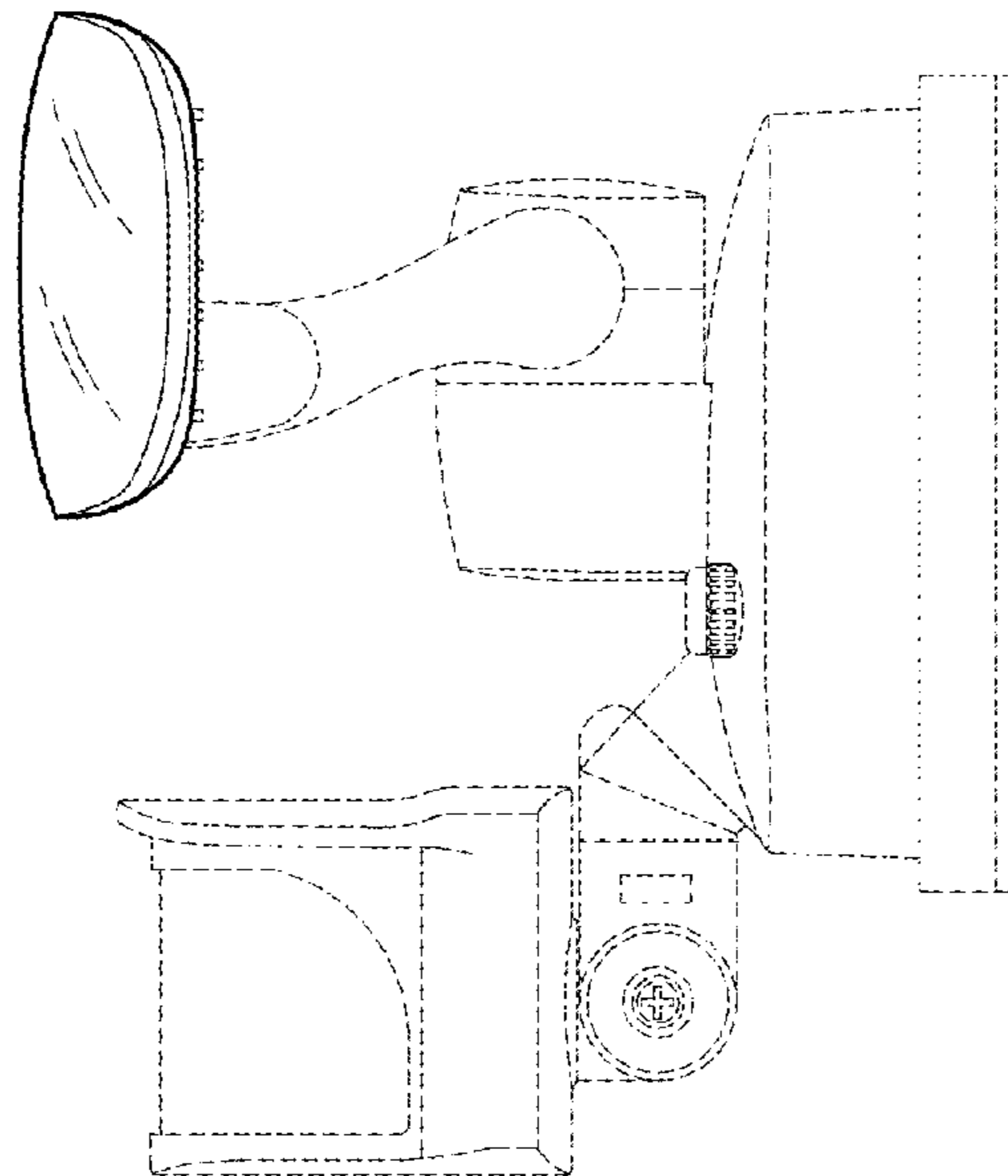


FIG. 5

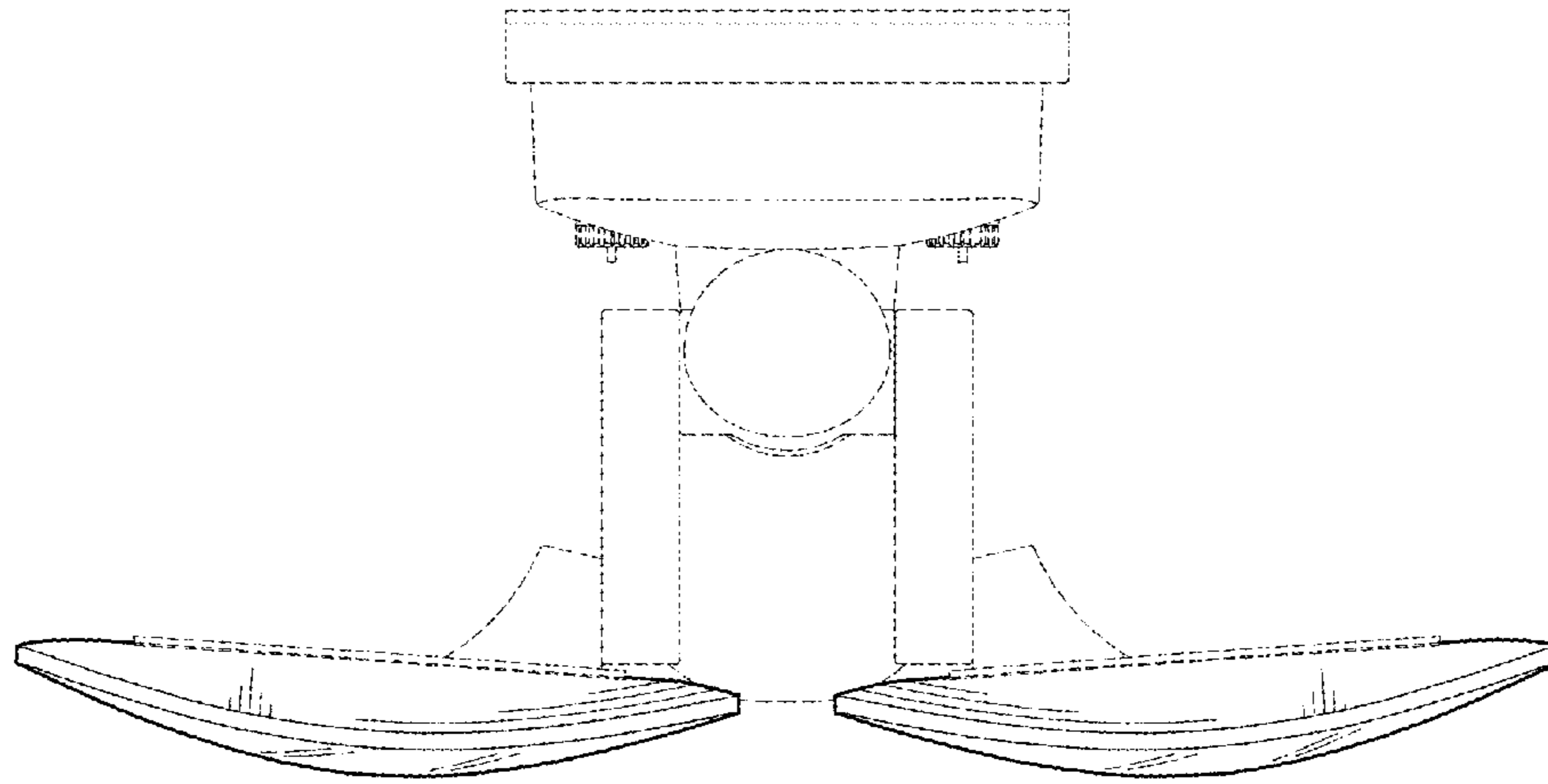


FIG. 6

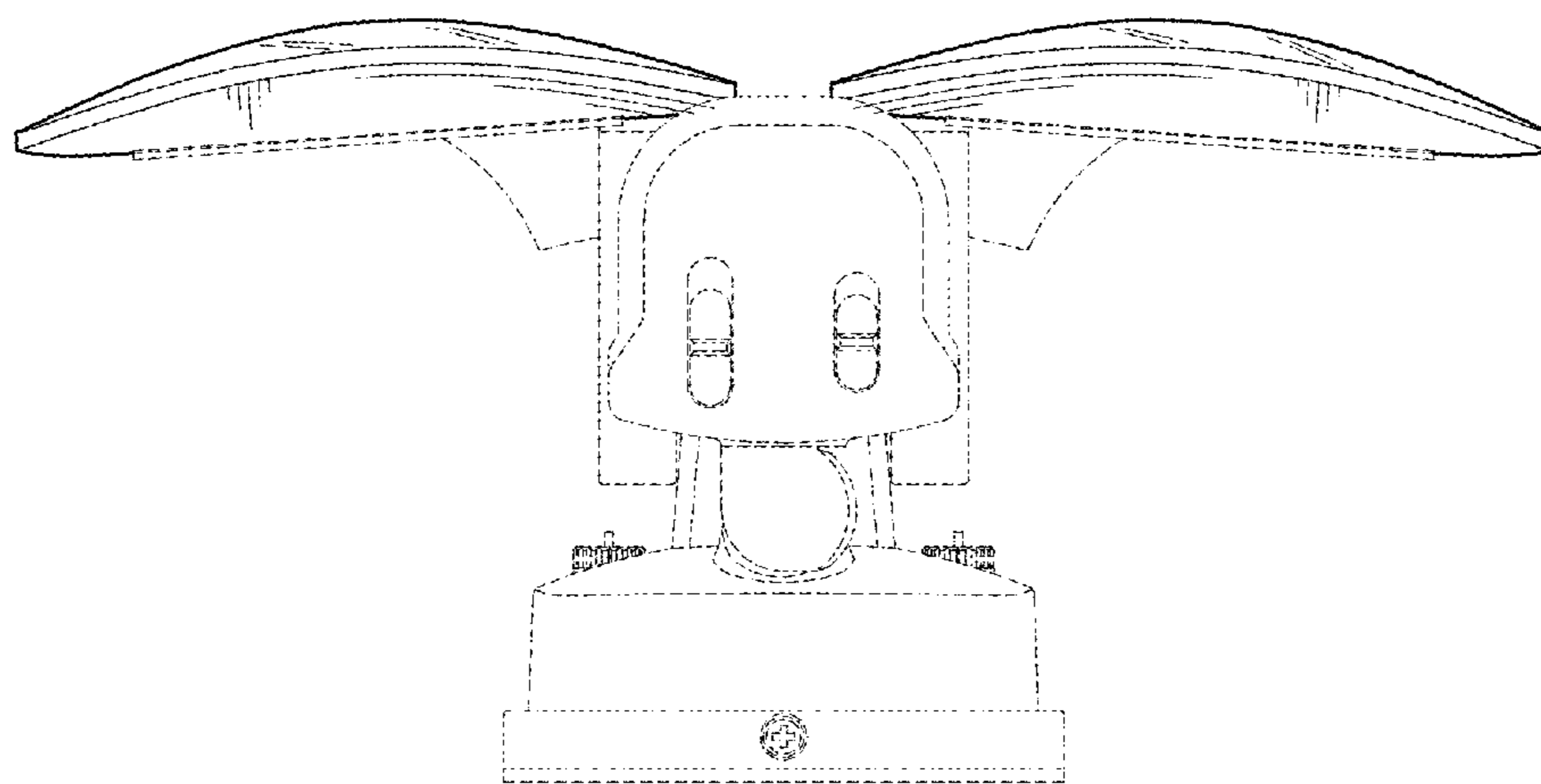


FIG. 7