



US00D757346S

(12) **United States Design Patent**
Stanley

(10) **Patent No.:** **US D757,346 S**

(45) **Date of Patent:** **** May 24, 2016**

- (54) **HORTICULTURE GROW LIGHT**
- (71) Applicant: **IP Holdings, LLC**, Vancouver, WA (US)
- (72) Inventor: **John Stanley**, Vancouver, WA (US)
- (73) Assignee: **IP Holdings, LLC**, Vancouver, WA (US)
- (**) Term: **14 Years**

5,510,676 A	4/1996	Cottaar et al.
5,698,947 A	12/1997	Choi
5,896,004 A	4/1999	Feldman et al.
5,983,564 A	11/1999	Stragnola
5,987,697 A	11/1999	Song et al.
6,042,250 A	3/2000	Stragnola
6,051,927 A	4/2000	Graser et al.
6,076,944 A	6/2000	Maranon

(Continued)

- (21) Appl. No.: **29/514,148**
- (22) Filed: **Jan. 8, 2015**
- (51) **LOC (10) Cl.** **26-99**
- (52) **U.S. Cl.**
USPC **D26/118**
- (58) **Field of Classification Search**
USPC D26/72, 76, 78, 118
CPC F21S 8/04; F21W 2131/40; F21V 9/02;
F21V 5/02; F21V 5/002; F21V 7/005; F21V
7/043; F21V 7/041; F21V 7/04; F21V 29/00;
F21V 29/02; A01G 9/20; A01G 9/24
See application file for complete search history.

FOREIGN PATENT DOCUMENTS

CA	2034710	8/1991
CA	1314529	3/1993

(Continued)

Primary Examiner — Clare E Heflin
(74) *Attorney, Agent, or Firm* — J. Douglas Wells

(57) **CLAIM**

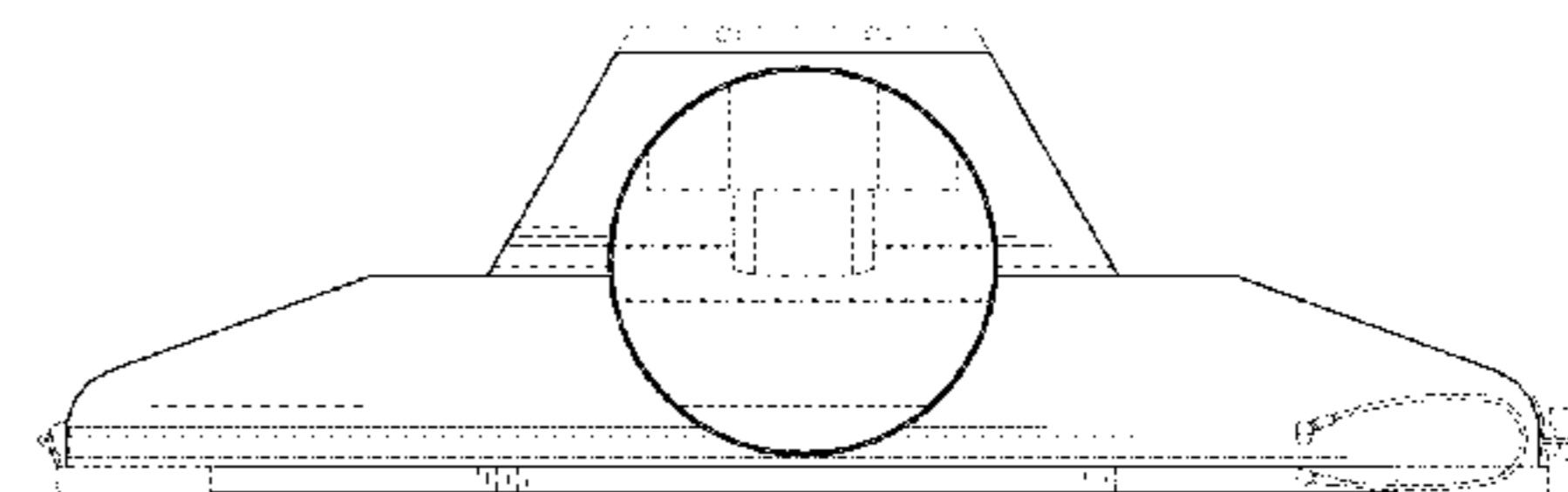
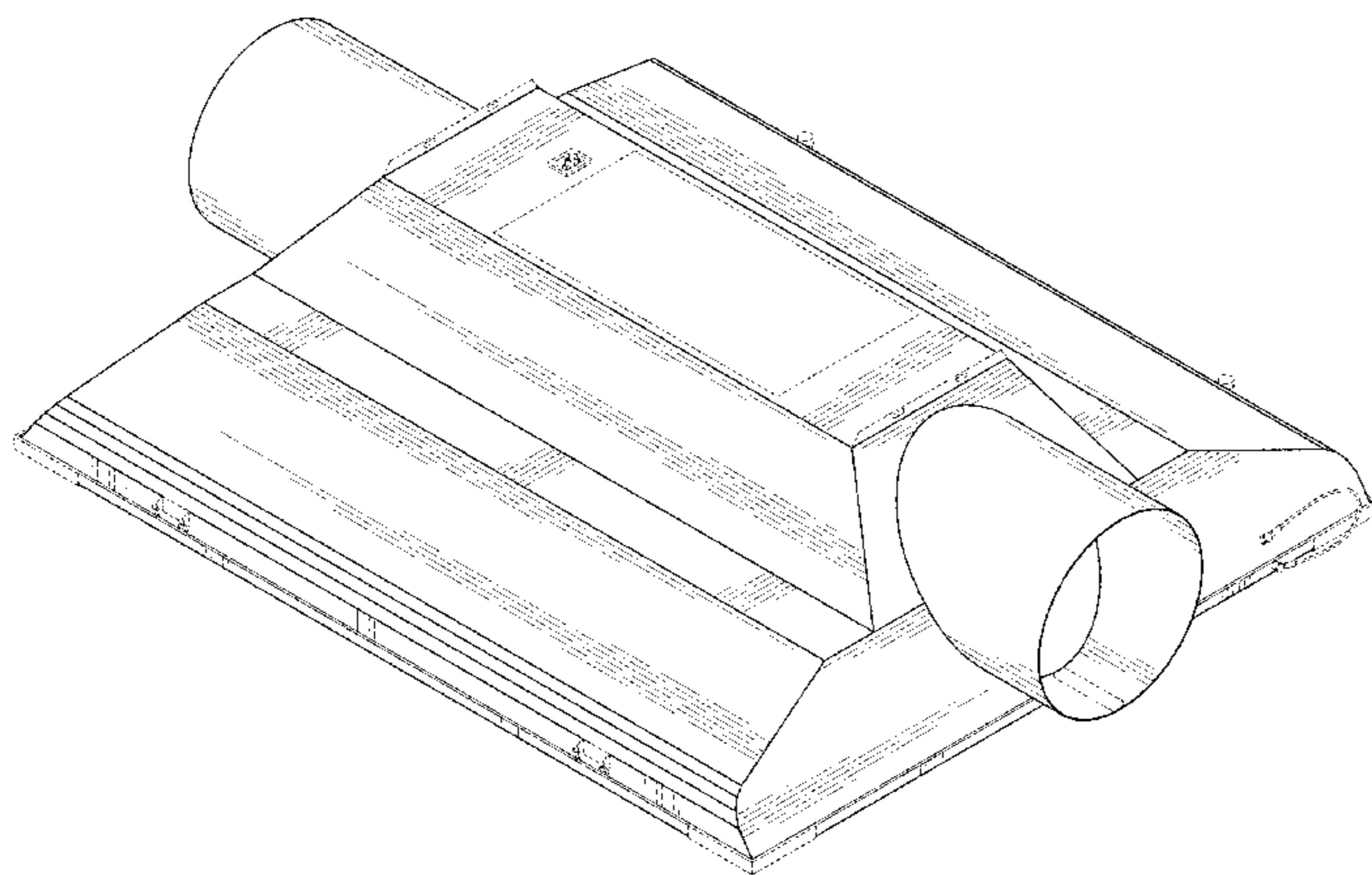
The ornamental design for a horticulture grow light, as shown and described.

DESCRIPTION

FIG. 1 is a perspective view of a horticulture grow light, as viewed from below, showing my new design;
 FIG. 2 is a perspective view of the fixture shown in FIG. 1, as viewed from above;
 FIG. 3 is a left side view of the fixture shown in FIG. 1;
 FIG. 4 is a right side view of the fixture shown in FIG. 1;
 FIG. 5 is a front elevation view of the fixture shown in FIG. 1;
 FIG. 6 is a rear elevation view of the fixture shown in FIG. 1;
 FIG. 7 is a top plan view of the fixture shown in FIG. 1; and,
 FIG. 8 is a bottom plan view of the fixture shown in FIG. 1.
 The broken-line disclosure shown in the views is understood to represent portions of the article in which the claimed design is embodied, but which form no part of the claimed design.

1 Claim, 6 Drawing Sheets

- (56) **References Cited**
U.S. PATENT DOCUMENTS
- | | | |
|-------------|---------|-------------------|
| D123,768 S | 12/1940 | Scribner |
| 3,272,978 A | 9/1966 | Jackson |
| 4,531,180 A | 7/1985 | Hernandez |
| 4,933,821 A | 6/1990 | Anderson |
| 4,939,629 A | 7/1990 | Glanton et al. |
| D311,597 S | 10/1990 | Poot |
| 4,970,428 A | 11/1990 | Hayakawa et al. |
| 4,980,809 A | 12/1990 | Baldwin et al. |
| 5,065,294 A | 11/1991 | Poot, Jr. |
| 5,461,554 A | 10/1995 | Leonetti et al. |
| 5,486,737 A | 1/1996 | Hrubowchak et al. |



(56)

References Cited

U.S. PATENT DOCUMENTS

6,094,919 A 8/2000 Bhatia
 6,111,739 A 8/2000 Wu et al.
 6,152,579 A 11/2000 Reed et al.
 6,230,497 B1 5/2001 Morris et al.
 6,343,984 B1 2/2002 Langdon et al.
 D456,938 S 5/2002 Wardenburg
 D459,825 S 7/2002 Field
 D469,564 S 1/2003 Brok
 6,527,422 B1 3/2003 Hutchison
 6,595,662 B2 7/2003 Wardenburg
 6,601,972 B2 8/2003 Sei et al.
 6,729,383 B1 5/2004 Cannell et al.
 6,783,263 B1 8/2004 Cronk
 6,885,134 B2 4/2005 Kurashima et al.
 7,156,539 B2 1/2007 Cronk
 7,175,309 B2 2/2007 Craw et al.
 D542,460 S 5/2007 Hargreaves
 D543,652 S 5/2007 Hargreaves
 D543,654 S 5/2007 Hargreaves
 D544,139 S 6/2007 Hargreaves
 D544,626 S 6/2007 Hargreaves
 D544,983 S 6/2007 Hargreaves
 D544,984 S 6/2007 Hargreaves
 D544,985 S 6/2007 Hargreaves
 D544,987 S * 6/2007 Hargreaves D26/88
 D544,994 S 6/2007 Hargreaves
 D544,995 S 6/2007 Hargreaves
 D545,484 S 6/2007 Hargreaves
 D545,994 S 7/2007 Hargreaves
 7,524,090 B2 4/2009 Hargreaves
 D603,087 S 10/2009 Mo et al.
 7,617,057 B2 11/2009 May et al.
 7,641,367 B2 1/2010 Hargreaves et al.
 D614,801 S 4/2010 Collins et al.
 7,722,228 B2 5/2010 Broer
 D634,060 S * 3/2011 Wardenburg D26/118
 D634,468 S 3/2011 Hargreaves
 D634,469 S 3/2011 Hargreaves

D637,162 S * 5/2011 Bridgman D13/152
 D637,752 S 5/2011 Mekhtarian
 7,972,044 B2 7/2011 Burkhauser
 7,987,632 B2 8/2011 May et al.
 8,018,630 B2 9/2011 Herloski
 8,209,912 B2 7/2012 Hargreaves et al.
 8,334,640 B2 12/2012 Reed et al.
 D675,369 S 1/2013 Michaud
 8,371,726 B2 2/2013 Collins et al.
 D678,599 S 3/2013 Boyer et al.
 D683,064 S 5/2013 Tuck
 D698,986 S * 2/2014 Reynolds D26/118
 D731,701 S * 6/2015 Hargreaves D26/118
 D736,450 S * 8/2015 Reynolds D26/118
 D737,498 S * 8/2015 Stanley D26/118
 D751,245 S * 3/2016 Stanley D26/118
 D751,247 S * 3/2016 Reynolds D26/118
 2006/0231081 A1 10/2006 Kirakosyan
 2007/0228993 A1 10/2007 Stuer et al.
 2008/0205030 A1 * 8/2008 Hargreaves F21V 23/026
 362/1
 2008/0205071 A1 8/2008 Townsley
 2008/0278950 A1 11/2008 Pickard et al.
 2009/0231840 A1 9/2009 Boehme et al.
 2009/0262540 A1 * 10/2009 Hargreaves A01G 9/26
 362/362
 2010/0302768 A1 12/2010 Collins et al.
 2013/0155685 A1 * 6/2013 Stanley F21V 7/00
 362/294
 2015/0098215 A1 * 4/2015 Torabifard F21K 9/58
 362/217.07

FOREIGN PATENT DOCUMENTS

EP 0325003 7/1989
 EP 0440274 8/1991
 WO 02063210 8/2002
 WO 2008018000 2/2008
 WO 2009096775 8/2009
 WO 2011119451 9/2011

* cited by examiner

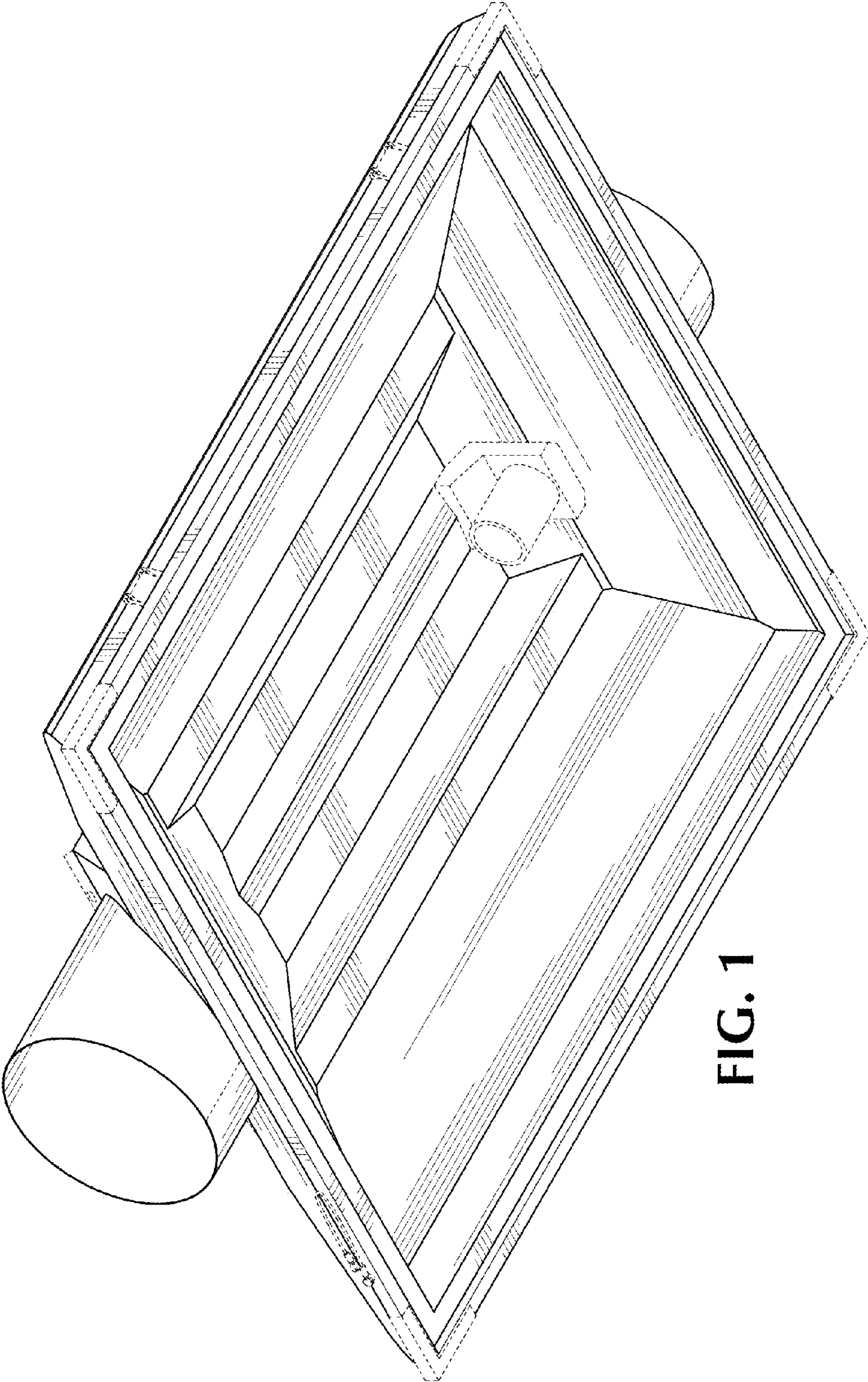


FIG. 1

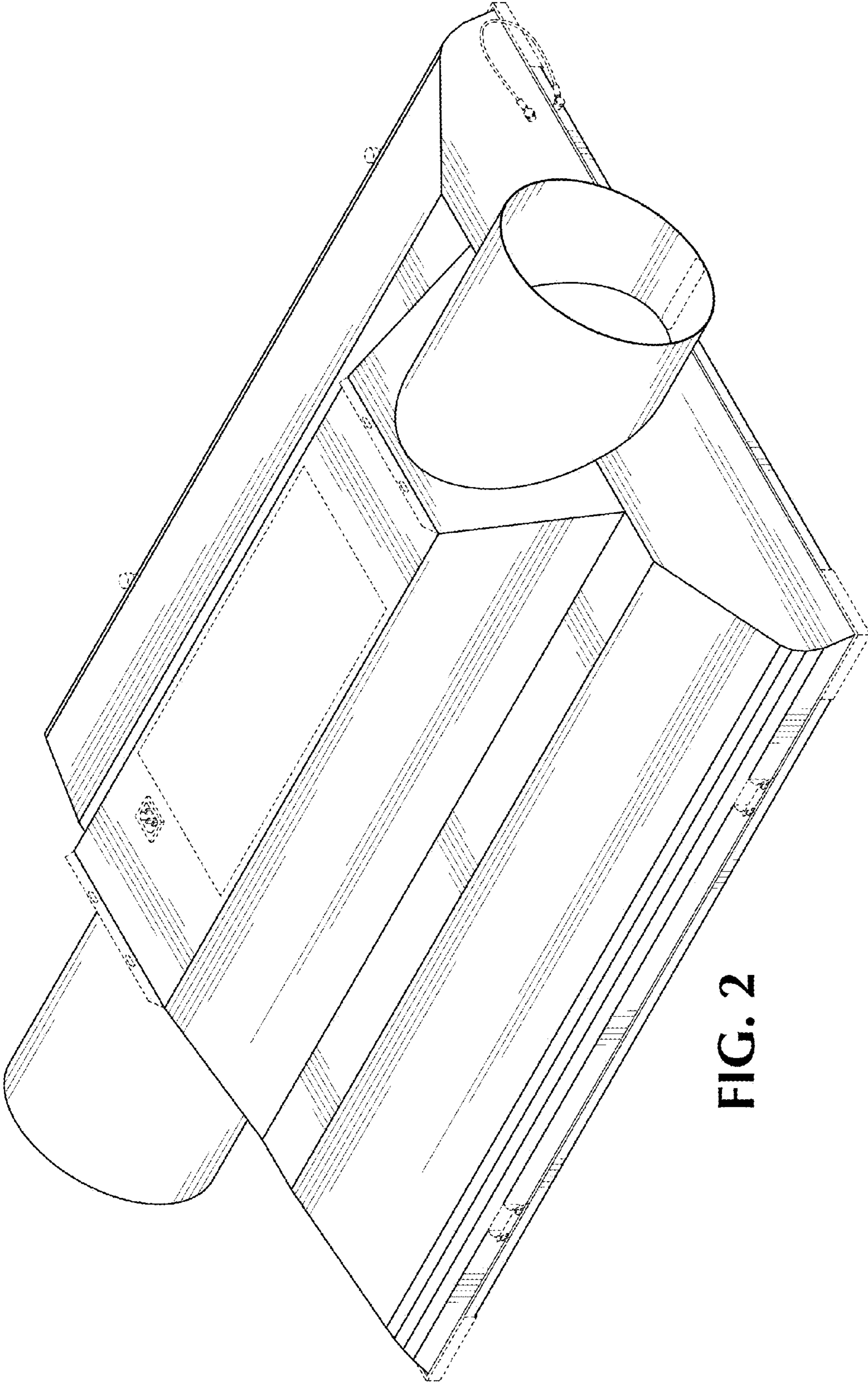


FIG. 2

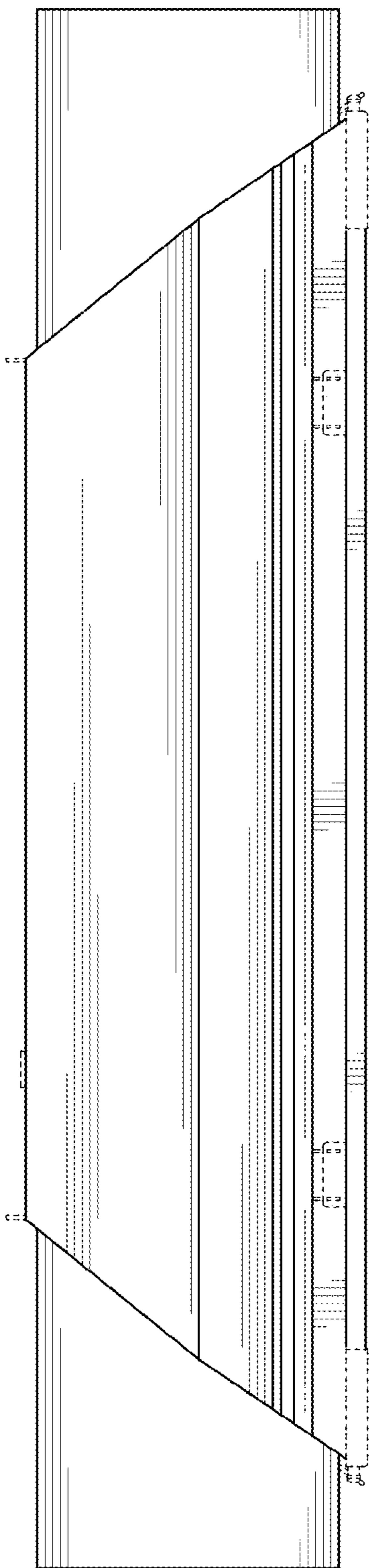


FIG. 3

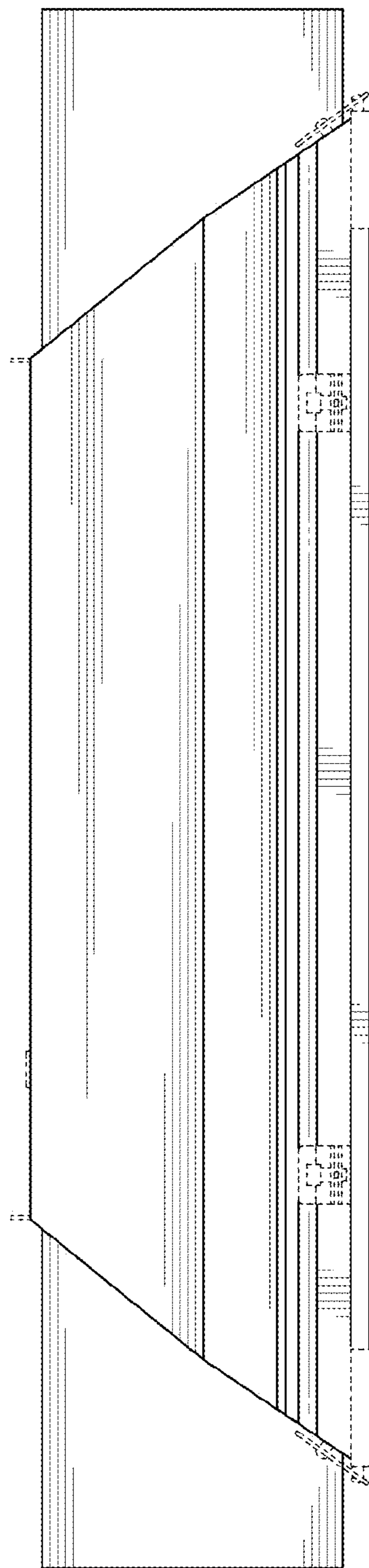


FIG. 4

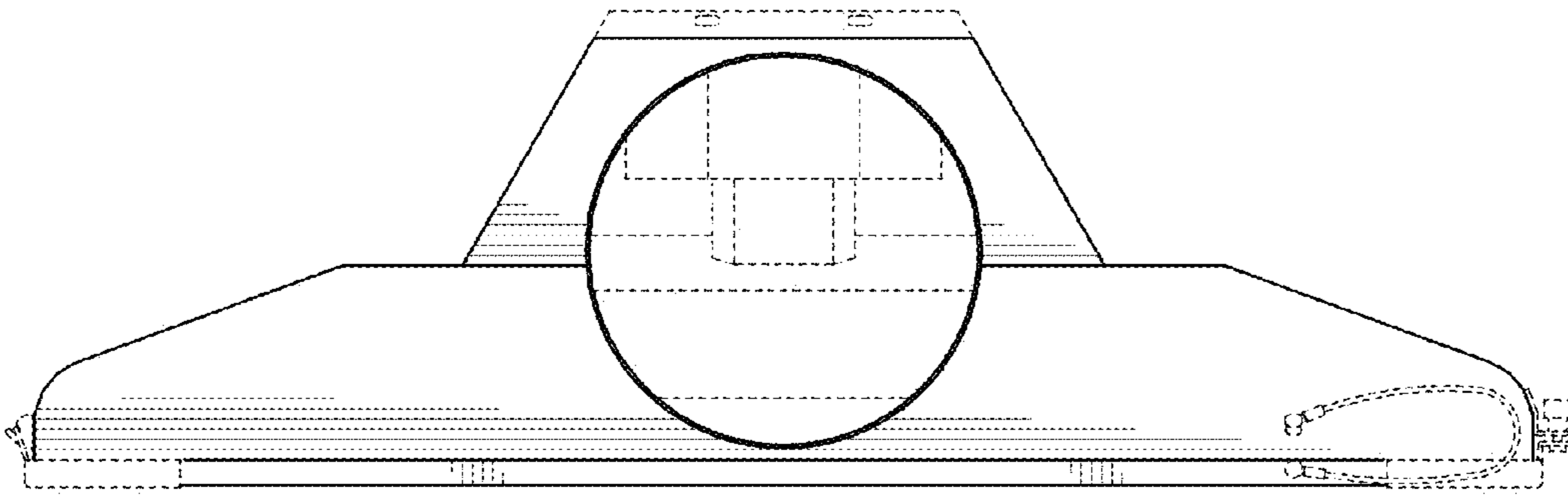


FIG. 5

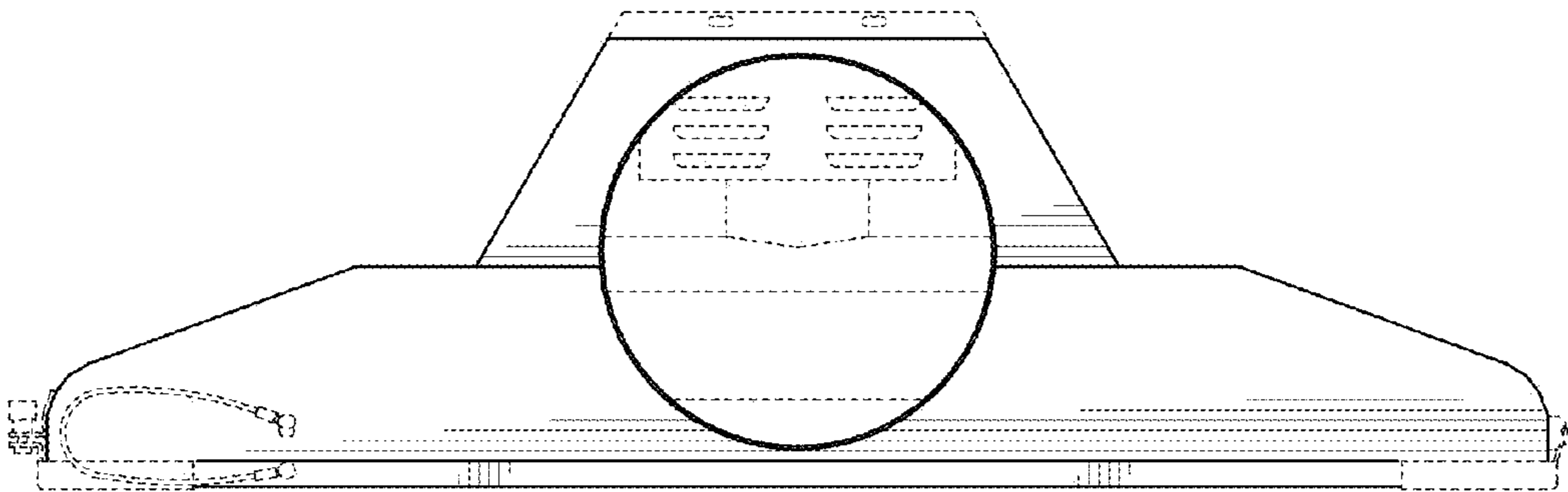
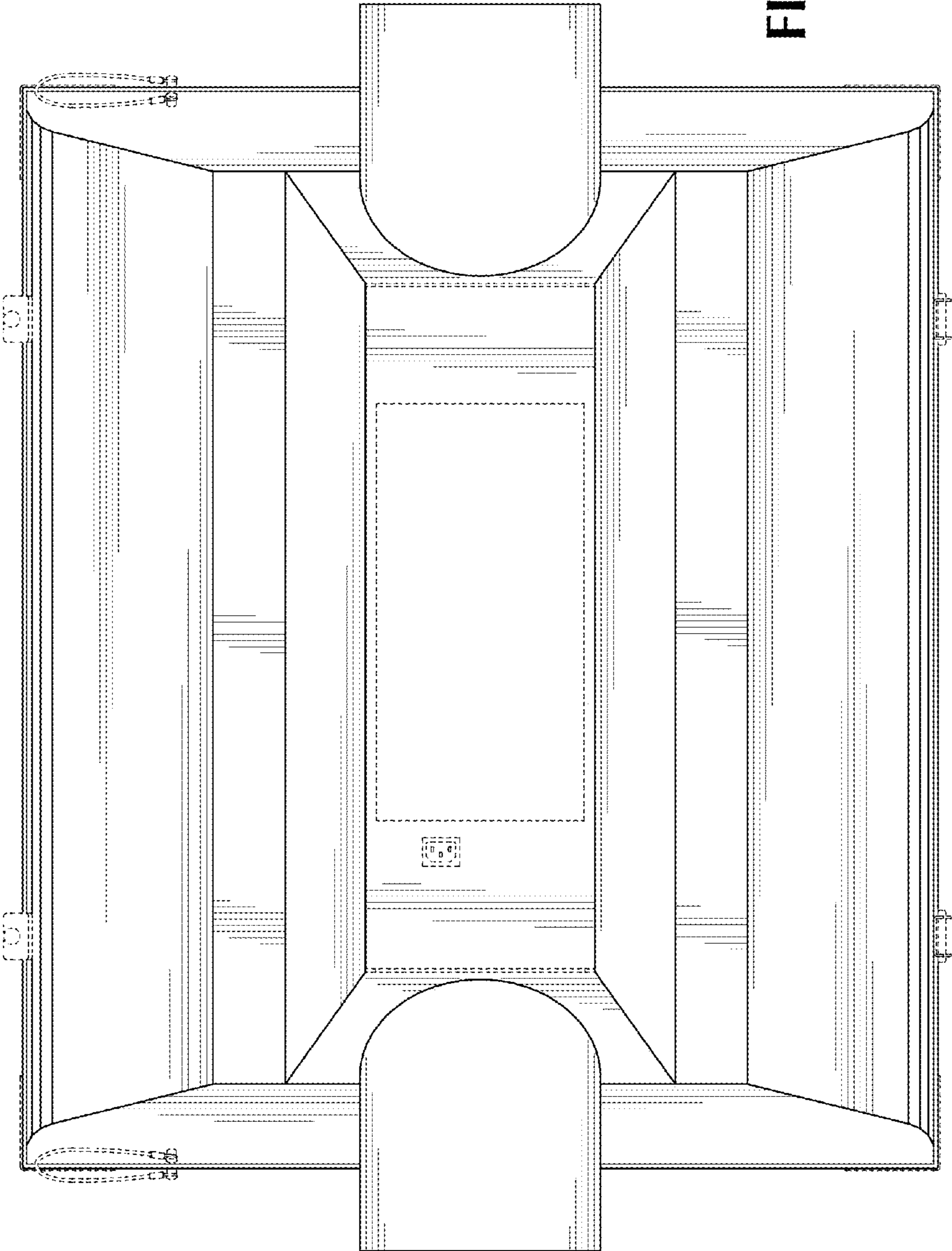


FIG. 6

FIG. 7



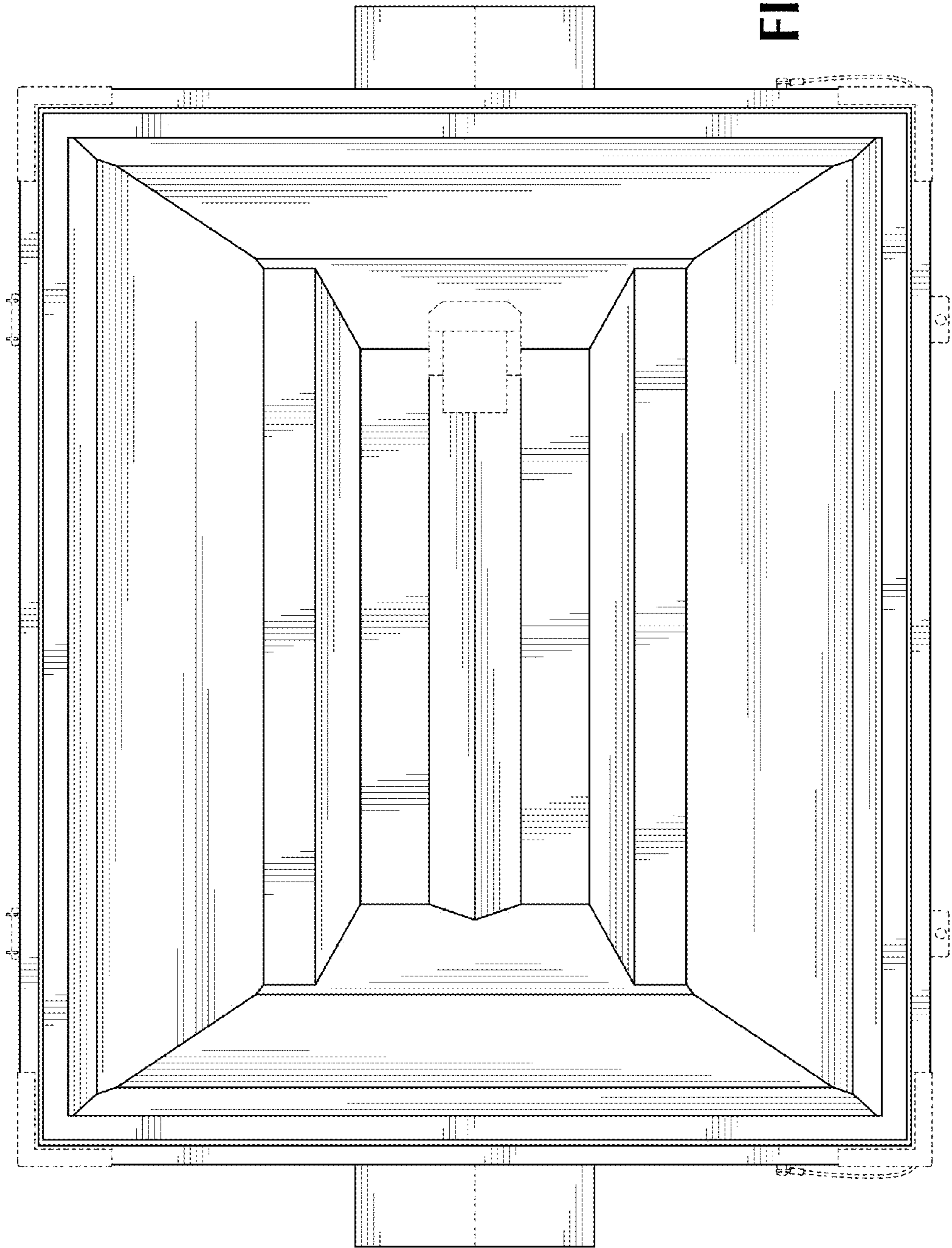


FIG. 8