



US00D757345S

(12) **United States Design Patent**
Martinez

(10) **Patent No.:** **US D757,345 S**
(45) **Date of Patent:** **** May 24, 2016**

(54) **LIGHT FIXTURE**

(71) Applicant: **Art Design Works LLC**, Lexington, MA (US)

(72) Inventor: **Carl Martinez**, Easton, PA (US)

(73) Assignee: **Art Design Works LLC**, Lexington, MA (US)

(**) Term: **14 Years**

(21) Appl. No.: **29/502,022**

(22) Filed: **Sep. 10, 2014**

(51) **LOC (10) Cl.** **26-99**

(52) **U.S. Cl.**
USPC **D26/118**

(58) **Field of Classification Search**
USPC D26/2, 28, 60, 72, 89, 104, 113, 118, D26/119, 120, 122, 124, 128, 138, 142, 143, D26/145; D13/179, 180, 102, 103, 107, 108
CPC F41C 27/00; F41C 33/0254; G02B 5/045; G02B 5/189; F21S 8/00; F21S 8/03; F21S 8/026; F21S 8/02; F21S 8/003; F21S 8/043; F21S 8/06; F21S 8/04; F21V 7/005; F21V 15/01; F21V 15/04; F21V 25/00; F21V 3/02; F21V 1/00; F21V 21/04; F21V 29/006; G02F 2001/133607; F21Y 2103/00; F21Y 2101/02; H01L 2224/48137; F21K 9/00
See application file for complete search history.

(56) **References Cited**

U.S. PATENT DOCUMENTS

D3,852 S * 2/1870 Letchworth D26/135
2,344,639 A * 3/1944 Ressinger G09F 11/23
362/123

(Continued)

OTHER PUBLICATIONS

Light fixture with pulley, image post date Apr. 18, 2008, site visited Dec. 3, 2015, (online), <<https://www.tineye.com/search/b1eb62b79330d2c3feb5e6efe9c8bf28ededde7f/>>.*

(Continued)

Primary Examiner — Kevin Rudzinski

Assistant Examiner — Sean D Lough

(74) *Attorney, Agent, or Firm* — Wolf, Greenfield & Sacks, P.C.

(57) **CLAIM**

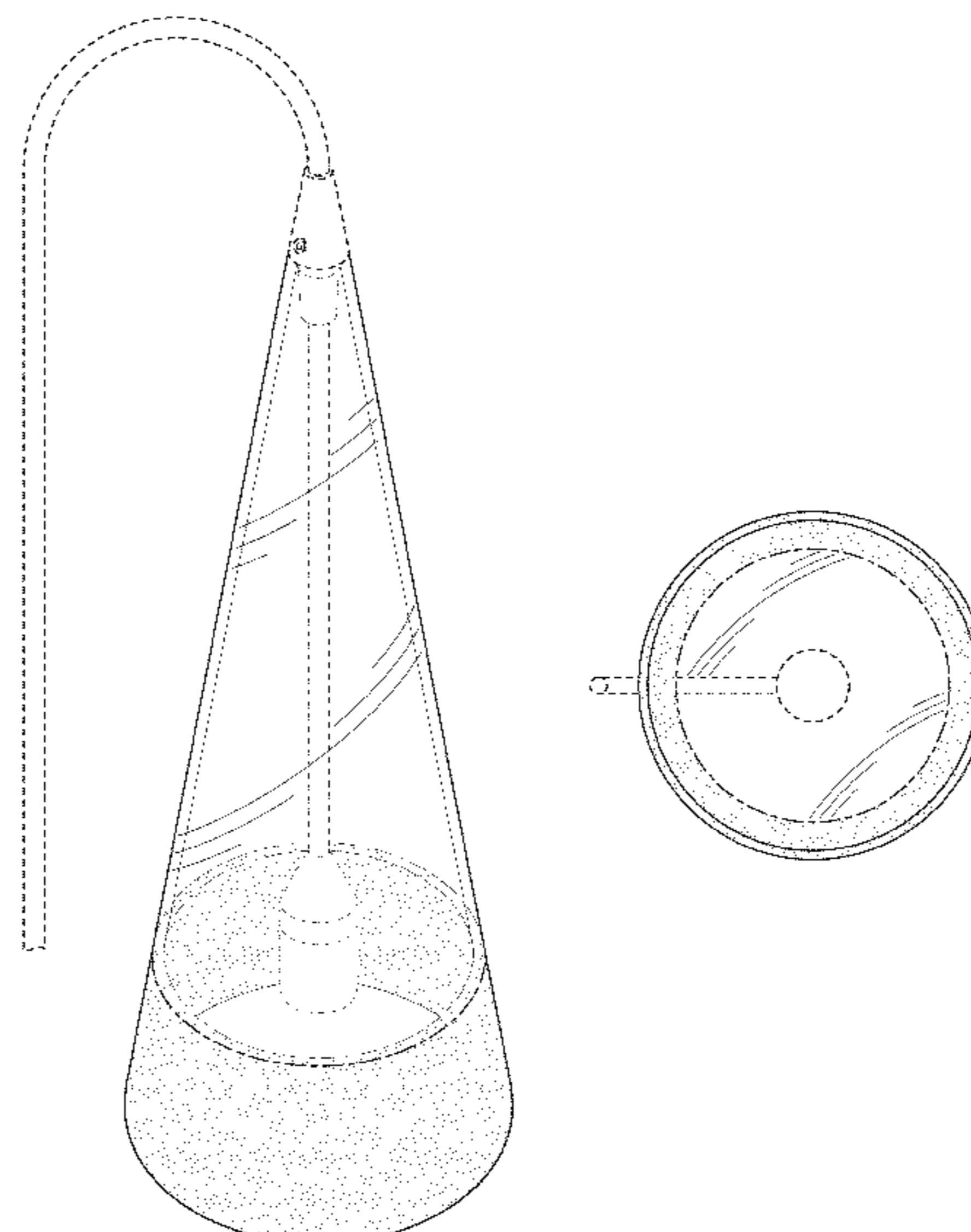
The ornamental design for a light fixture, as shown and described.

DESCRIPTION

FIG. 1 is a top, front, left side perspective view of the light fixture showing a first embodiment thereof; FIG. 2 is a left side elevation view of FIG. 1; FIG. 3 is a right side elevation view of FIG. 1; FIG. 4 is a rear elevation view of FIG. 1; FIG. 5 is a front elevation view of FIG. 1; FIG. 6 is a top plan view of FIG. 1; FIG. 7 is a bottom plan view of FIG. 1; FIG. 8 is a top, front, left side perspective view showing a second embodiment thereof; FIG. 9 is a left side elevation view of FIG. 8; FIG. 10 is a right side elevation view of FIG. 8; FIG. 11 is a rear elevation view of FIG. 8; FIG. 12 is a front elevation view of FIG. 8; FIG. 13 is a top plan view of FIG. 8; and, FIG. 14 is a bottom plan view of FIG. 8.

The broken lines represent portions of the light fixture that form no part of the claimed design. The stippled portions represent contrasting material portions of the claimed design. The dash-dot broken lines form no part of the claimed design and represent boundaries of the contrasting material portions of the claimed design.

1 Claim, 13 Drawing Sheets



(56)

References Cited

U.S. PATENT DOCUMENTS

D194,963 S * 4/1963 Atkins D10/114.1
 D202,804 S * 11/1965 Bushcott D26/135
 3,819,924 A * 6/1974 Thomas F21S 6/002
 362/127
 D250,969 S * 1/1979 Hackenberg D26/51
 D257,568 S * 11/1980 Ream D26/26
 D265,001 S * 6/1982 Graham D26/104
 D268,209 S * 3/1983 Reistetter D26/135
 D276,898 S * 12/1984 Strenger D11/145
 D291,011 S * 7/1987 Fleming D26/138
 D298,173 S * 10/1988 Oosterheerd D26/110
 D307,060 S * 4/1990 Fraser D26/63
 D307,807 S * 5/1990 Perkins D26/111
 5,043,855 A * 8/1991 Yelvington B60Q 7/00
 362/276
 D340,539 S * 10/1993 Smith D26/106
 D348,949 S * 7/1994 Segill D26/81
 D349,359 S * 8/1994 McLaughlin, II D11/118
 D355,723 S * 2/1995 Roos D26/63
 D360,968 S * 8/1995 Sonneman D26/107
 5,448,459 A * 9/1995 Rogers B43K 29/10
 362/118
 D373,650 S * 9/1996 Yeh D26/107
 D379,543 S * 5/1997 Lin D26/63
 5,685,097 A * 11/1997 Marinov G09F 19/08
 362/283
 D394,327 S * 5/1998 Hutton D26/110
 D417,028 S * 11/1999 Dolan D26/86
 D419,716 S * 1/2000 Parrochia D26/118
 D436,418 S * 1/2001 Porter D26/80
 D436,419 S * 1/2001 Lin D26/104
 D441,127 S * 4/2001 Hoffbauer D26/135
 D441,489 S * 5/2001 Hutton D26/110
 D450,407 S * 11/2001 Hsieh D26/94
 D450,877 S * 11/2001 Marino D26/104
 D489,840 S * 5/2004 Liao D26/104
 D490,557 S * 5/2004 Cuevas D26/142
 D515,728 S * 2/2006 Yando D26/142
 D517,716 S * 3/2006 Bucher D26/67
 D518,914 S * 4/2006 Brunner D26/142
 D519,658 S * 4/2006 Izardel D10/111
 D522,898 S * 6/2006 Yarski D10/113.2
 D525,385 S * 7/2006 Waycaster D26/76
 D525,738 S * 7/2006 Waycaster D26/76
 D536,805 S * 2/2007 Yuen D26/26
 D539,956 S * 4/2007 Rose D26/61
 D547,234 S * 7/2007 Tsai D11/124
 D557,450 S * 12/2007 Barbeau D26/104

7,399,091 B2 * 7/2008 Lockett F21V 1/00
 353/120
 D609,393 S * 2/2010 Sabernig D26/107
 D620,183 S * 7/2010 Sabernig D26/128
 D629,935 S * 12/2010 Ryser D26/9
 7,871,173 B2 * 1/2011 Lin F21S 6/002
 362/101
 7,905,728 B2 * 3/2011 Piontek G09B 23/12
 366/273
 D636,912 S * 4/2011 Ryser D26/9
 D641,096 S * 7/2011 Markle D26/88
 D641,099 S * 7/2011 Campbell D26/118
 D656,663 S * 3/2012 Son D26/118
 D667,161 S * 9/2012 Chen D26/87
 D667,164 S * 9/2012 Hall D26/118
 D668,373 S * 10/2012 Martin D26/128
 D668,812 S * 10/2012 Sprengers D26/107
 D673,721 S * 1/2013 Shen D26/138
 D673,727 S * 1/2013 Cartwright D26/142
 D677,827 S * 3/2013 Duff D26/93
 D688,413 S * 8/2013 Tomlinson D26/129
 D689,238 S * 9/2013 Halsey D26/118
 8,602,584 B2 * 12/2013 Ghafoori E01F 9/0122
 315/154
 D697,659 S * 1/2014 Sabernig D26/87
 8,695,247 B1 * 4/2014 Yang G09F 13/24
 362/101
 D704,885 S * 5/2014 Cannon D26/106
 D715,986 S * 10/2014 Anastassiades D26/88
 D721,676 S * 1/2015 Hammond D14/218
 D725,811 S * 3/2015 Quitllet D26/106
 D731,697 S * 6/2015 Johnson D26/73
 9,052,077 B2 * 6/2015 Chien F21S 8/035
 D734,530 S * 7/2015 Cocksedge D26/112
 D738,766 S * 9/2015 Schrade D10/116.1
 2005/0201081 A1 * 9/2005 Brady F21S 10/002
 362/101
 2006/0215397 A1 * 9/2006 Lee F21S 10/002
 362/161

OTHER PUBLICATIONS

Funnel lamp, image post date Jul. 4, 2010, site visited Dec. 3, 2015, (online), <<https://www tineye.com/search/cc17485be4b3651bf52c1f39670579dfae76a437/>>.*
 Modern Lighting, image post date Nov. 9, 2010, site visited Dec. 3, 2015, (online), <<https://www tineye.com/search/f9c1faa205490e26db6d9fe8f518f0eb519c11fa/>>.*
 Pendant light fixture, image post date Mar. 7, 2014, site visited Dec. 3, 2015, (online), <<https://www tineye.com/search/92db3bc0fb31060b745b1d6b9cd1548de7fe0b5b/?pluginver=>>>.*

* cited by examiner

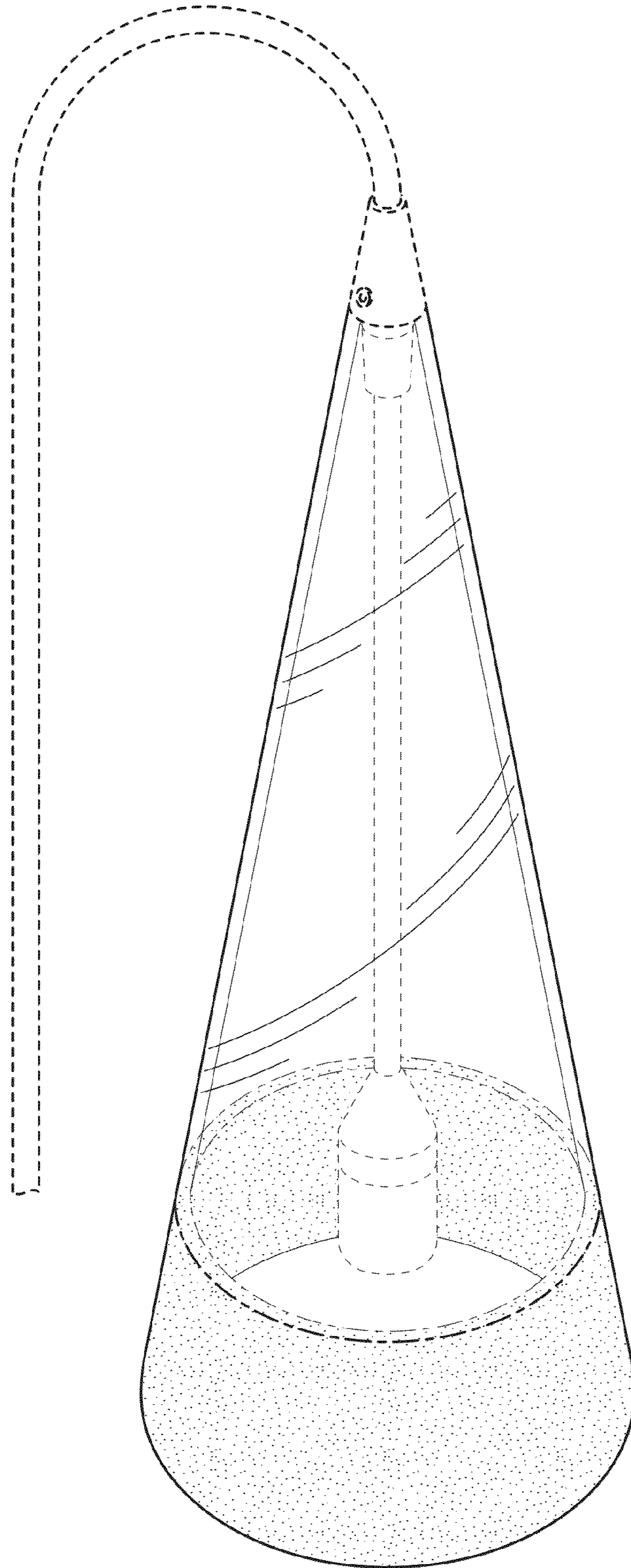


FIG. 1

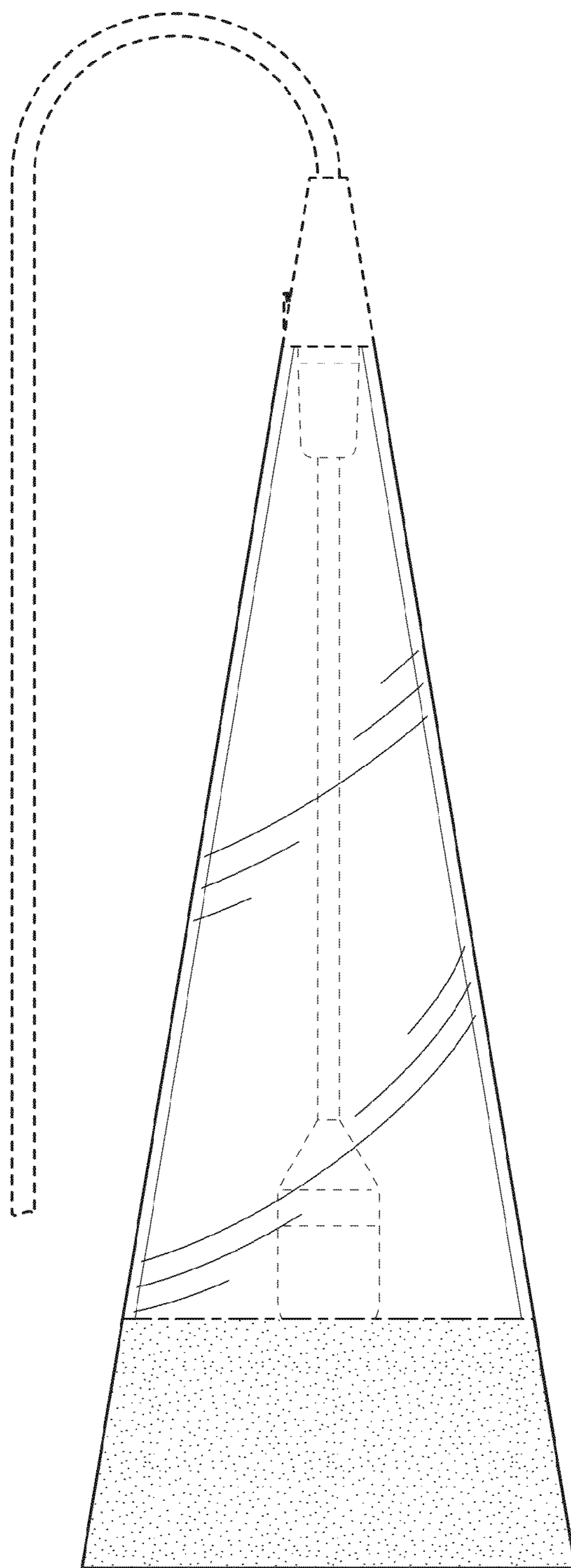


FIG. 2

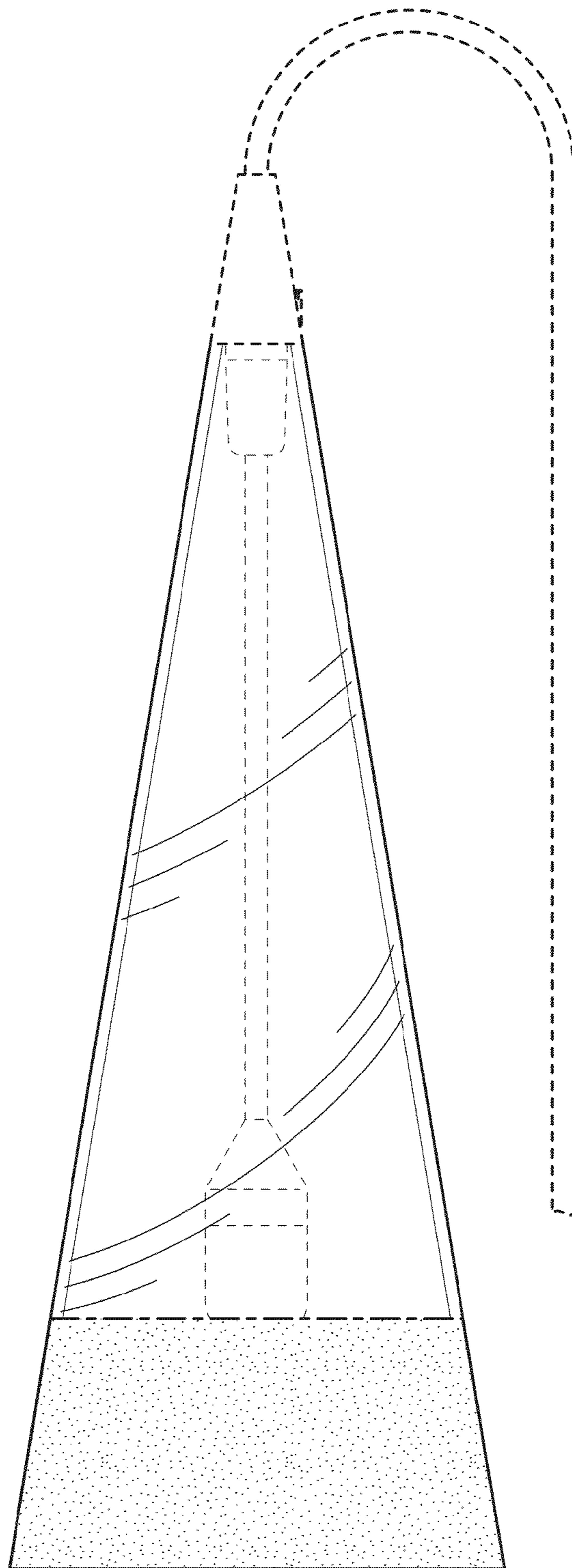


FIG. 3

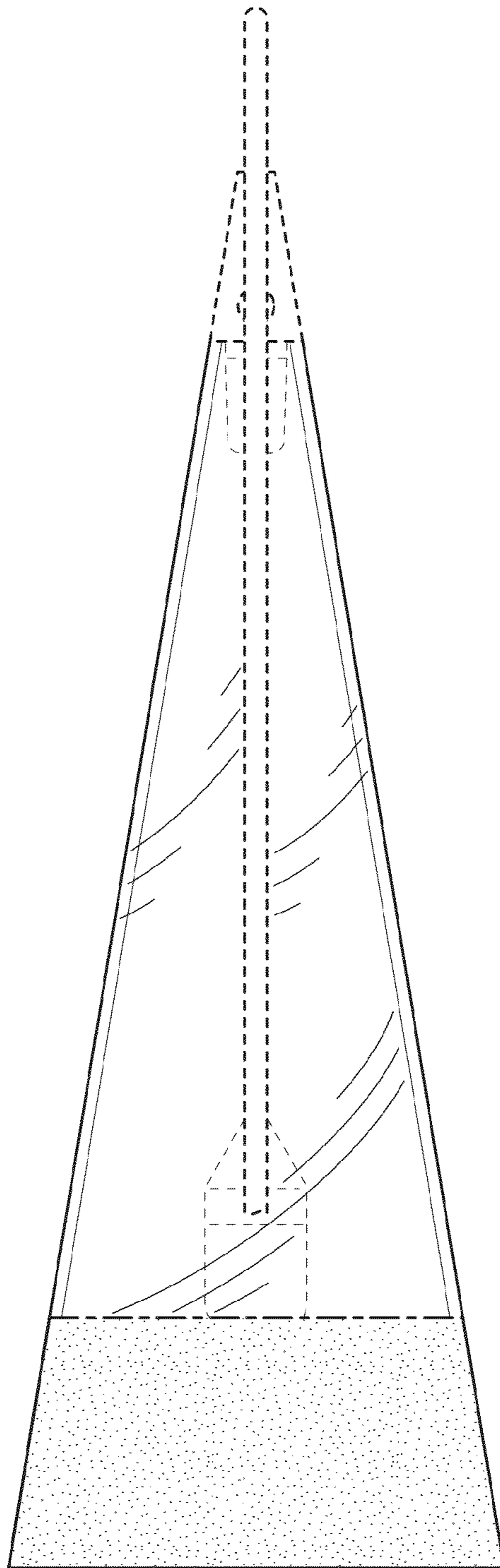


FIG. 4

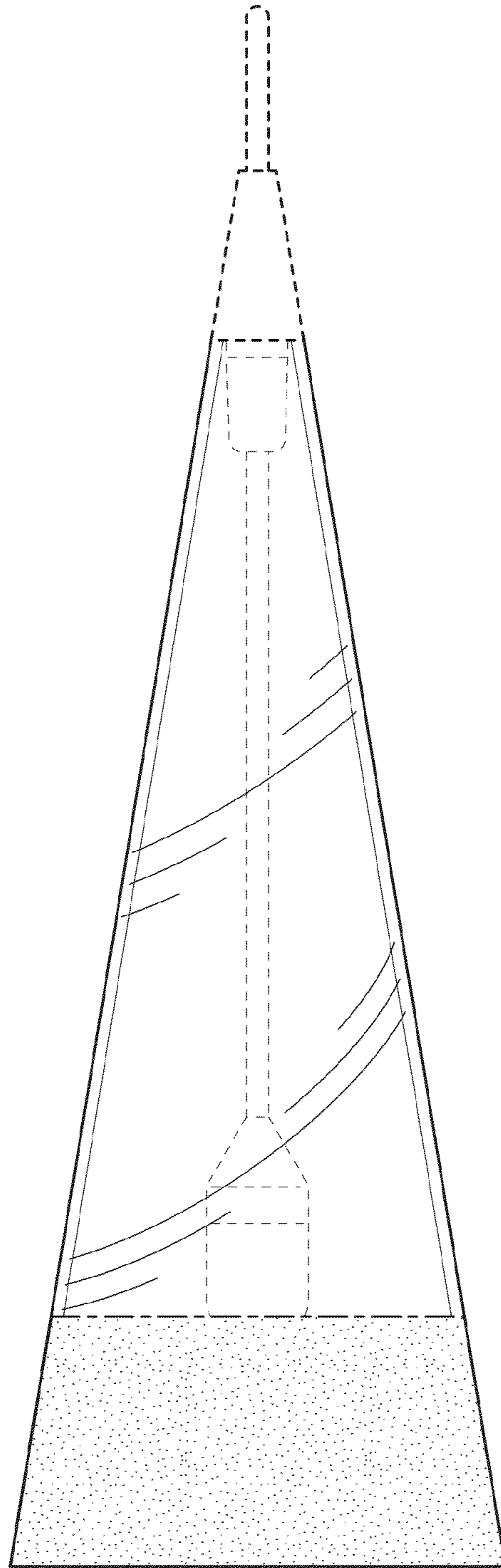


FIG. 5

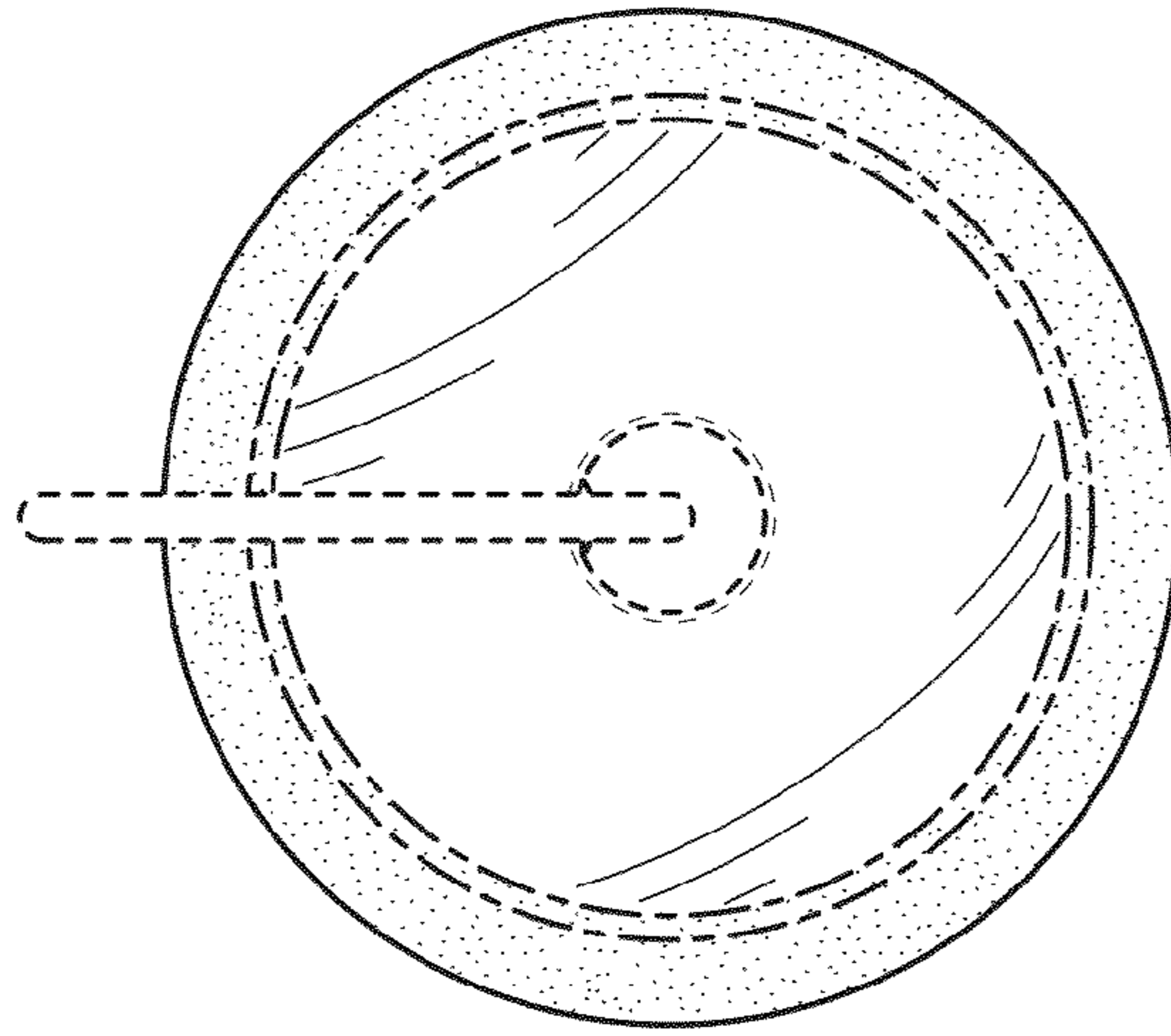


FIG. 6

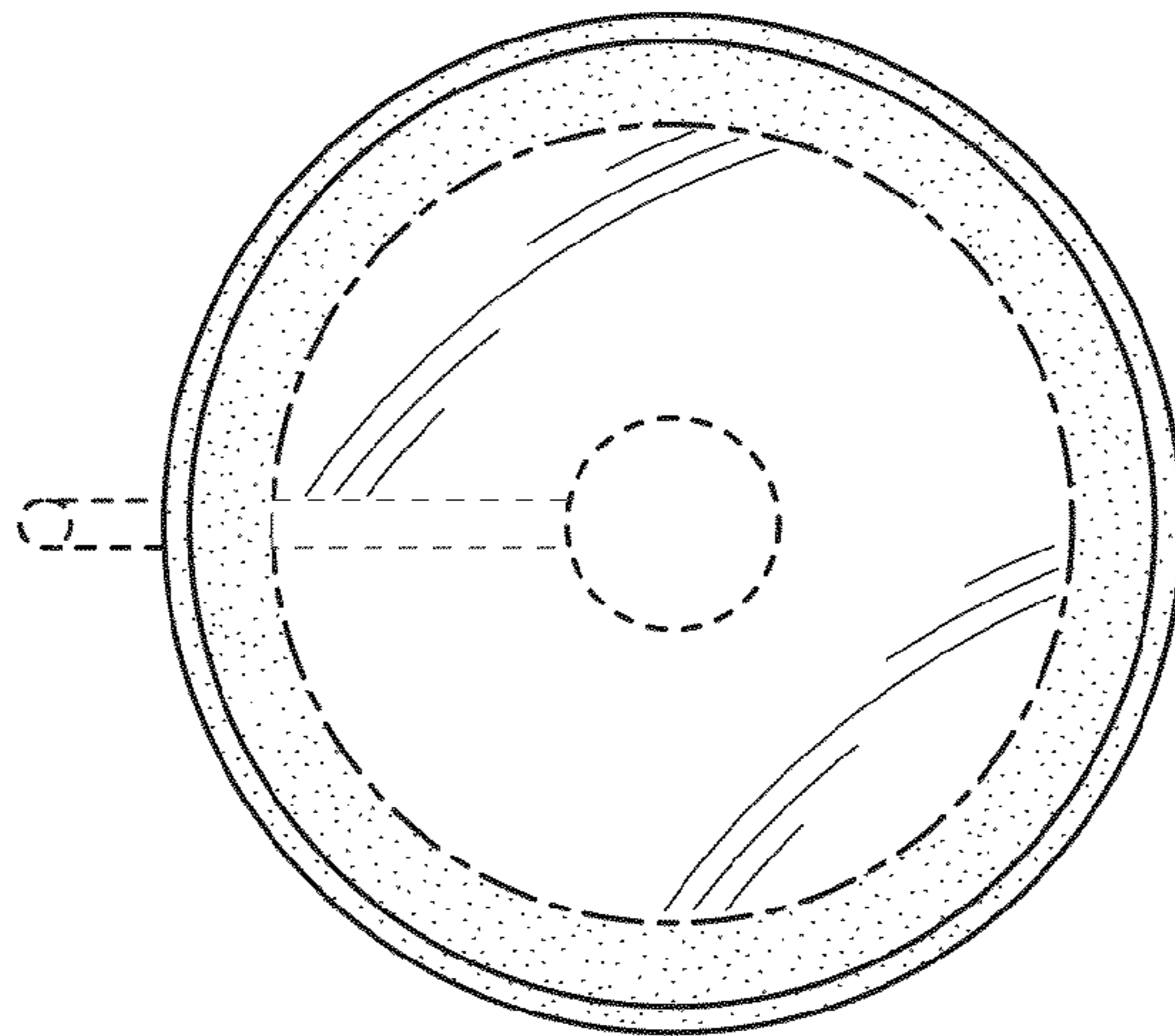


FIG. 7

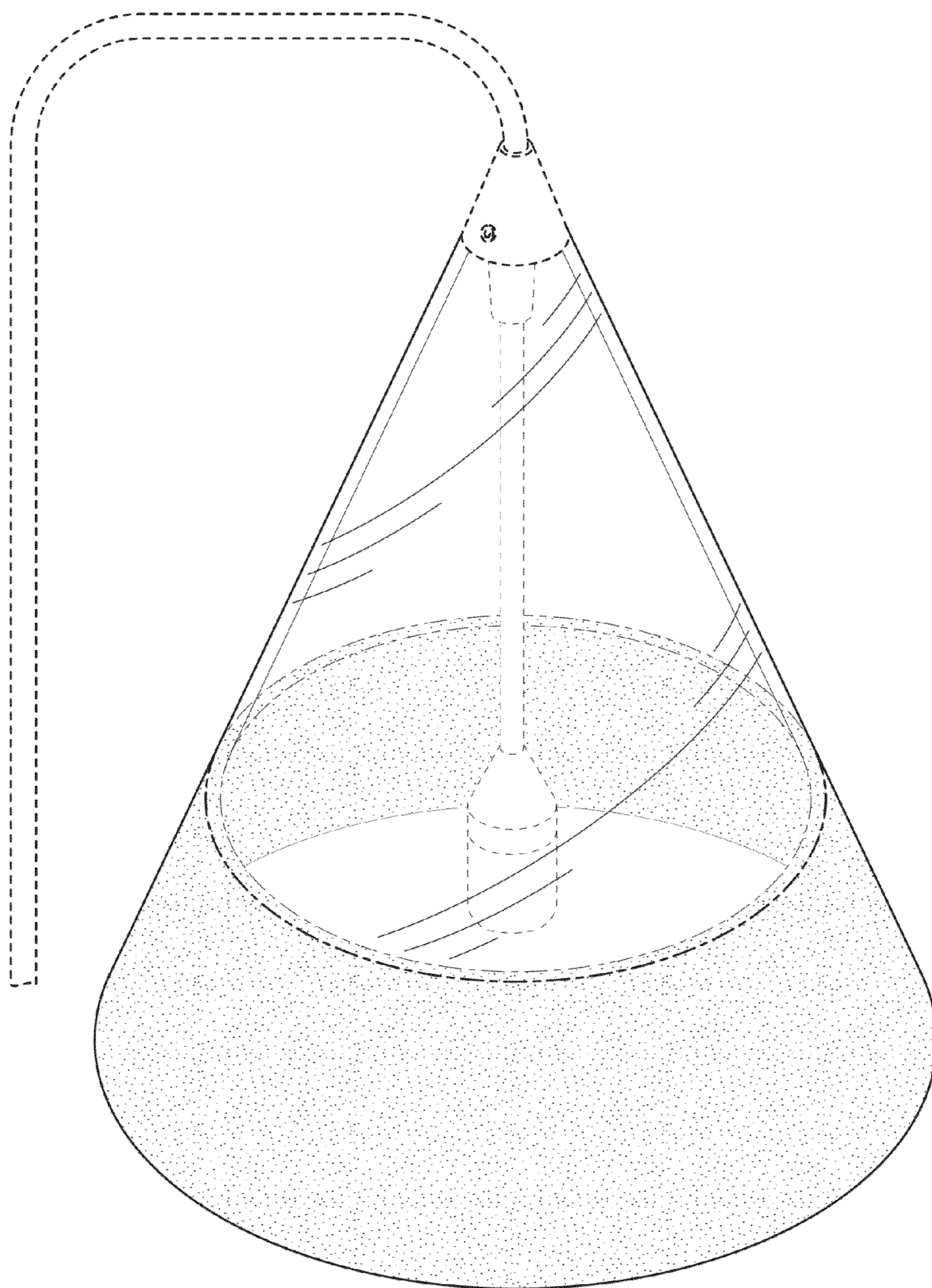


FIG. 8

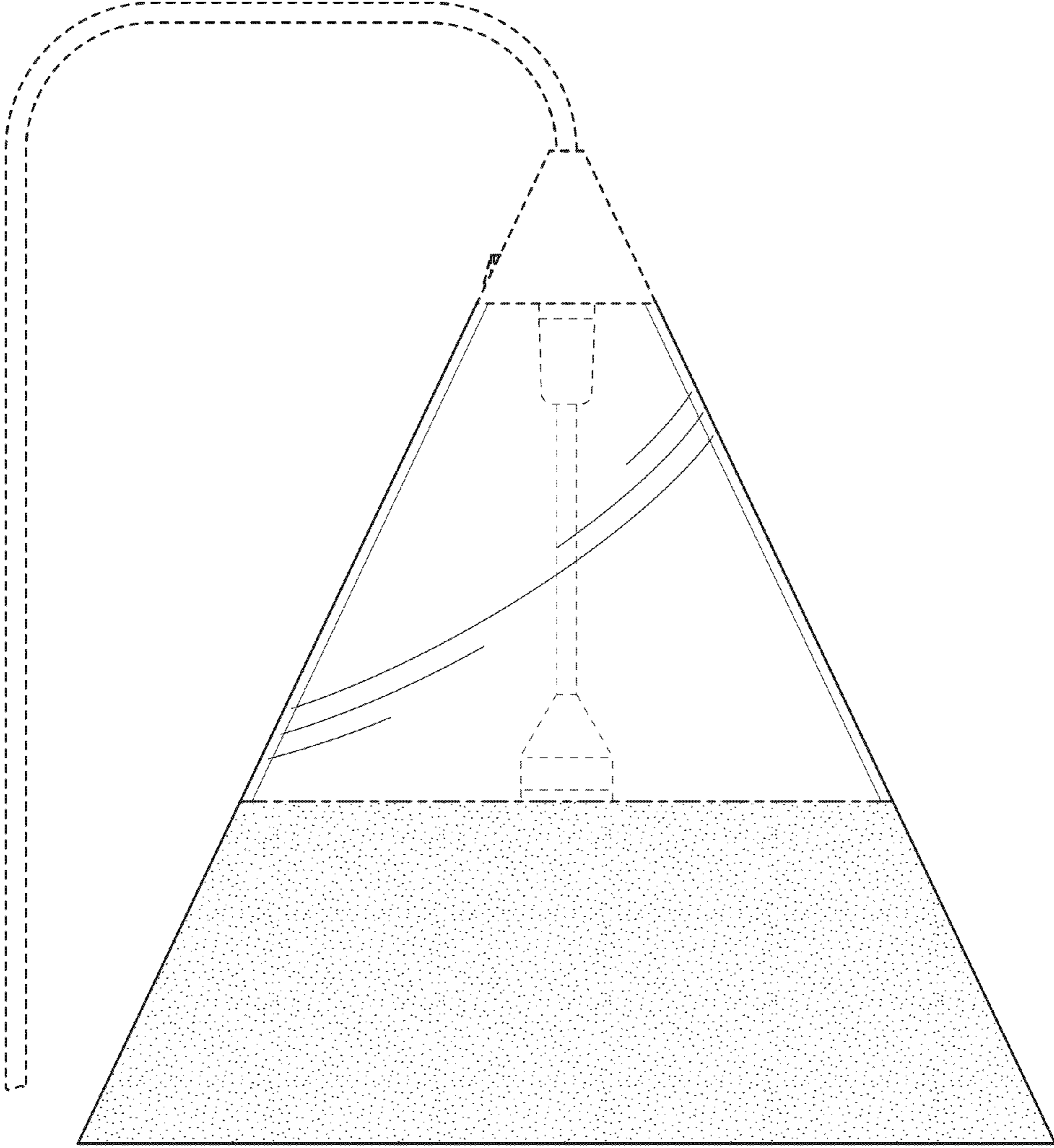


FIG. 9

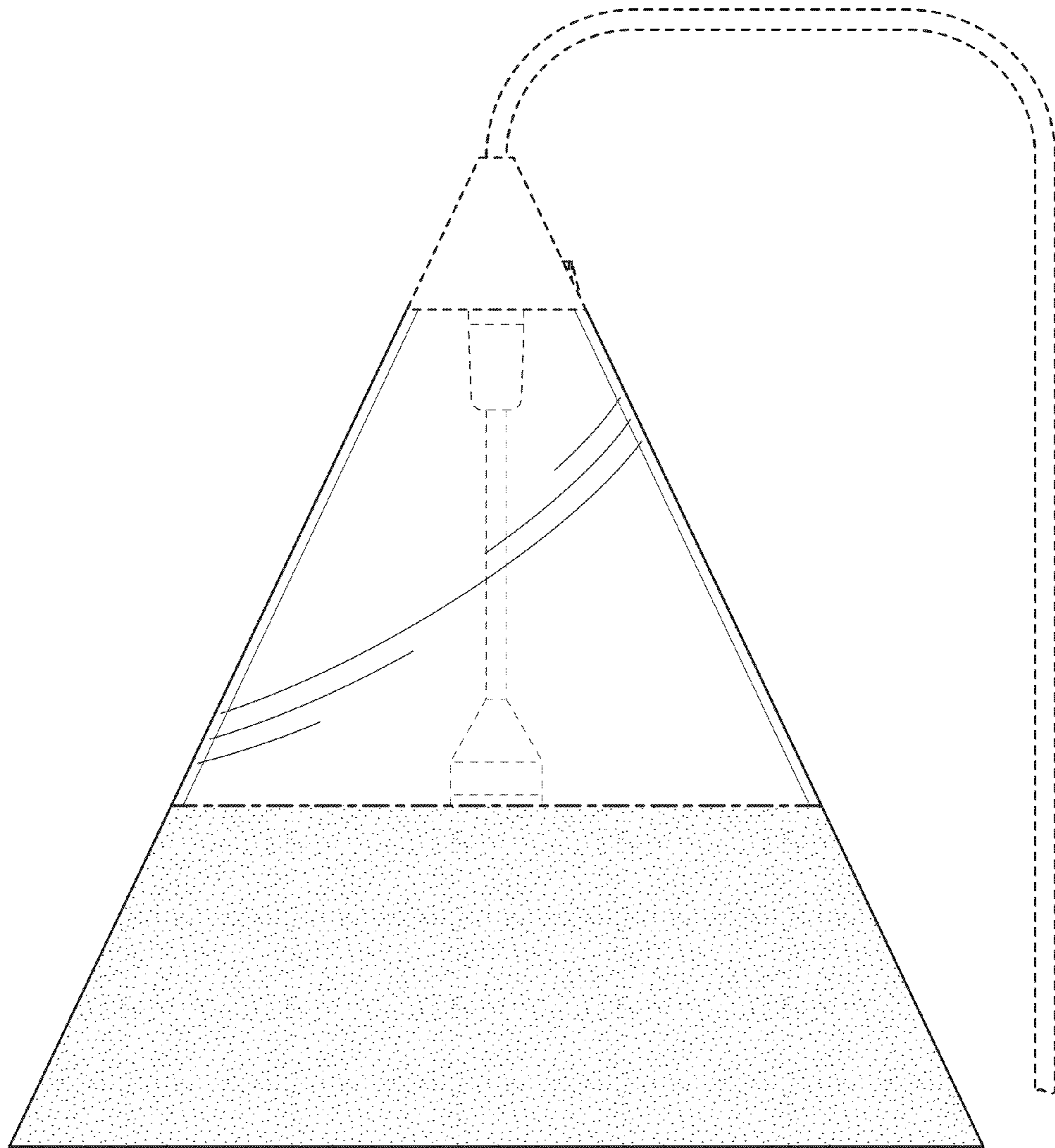


FIG. 10

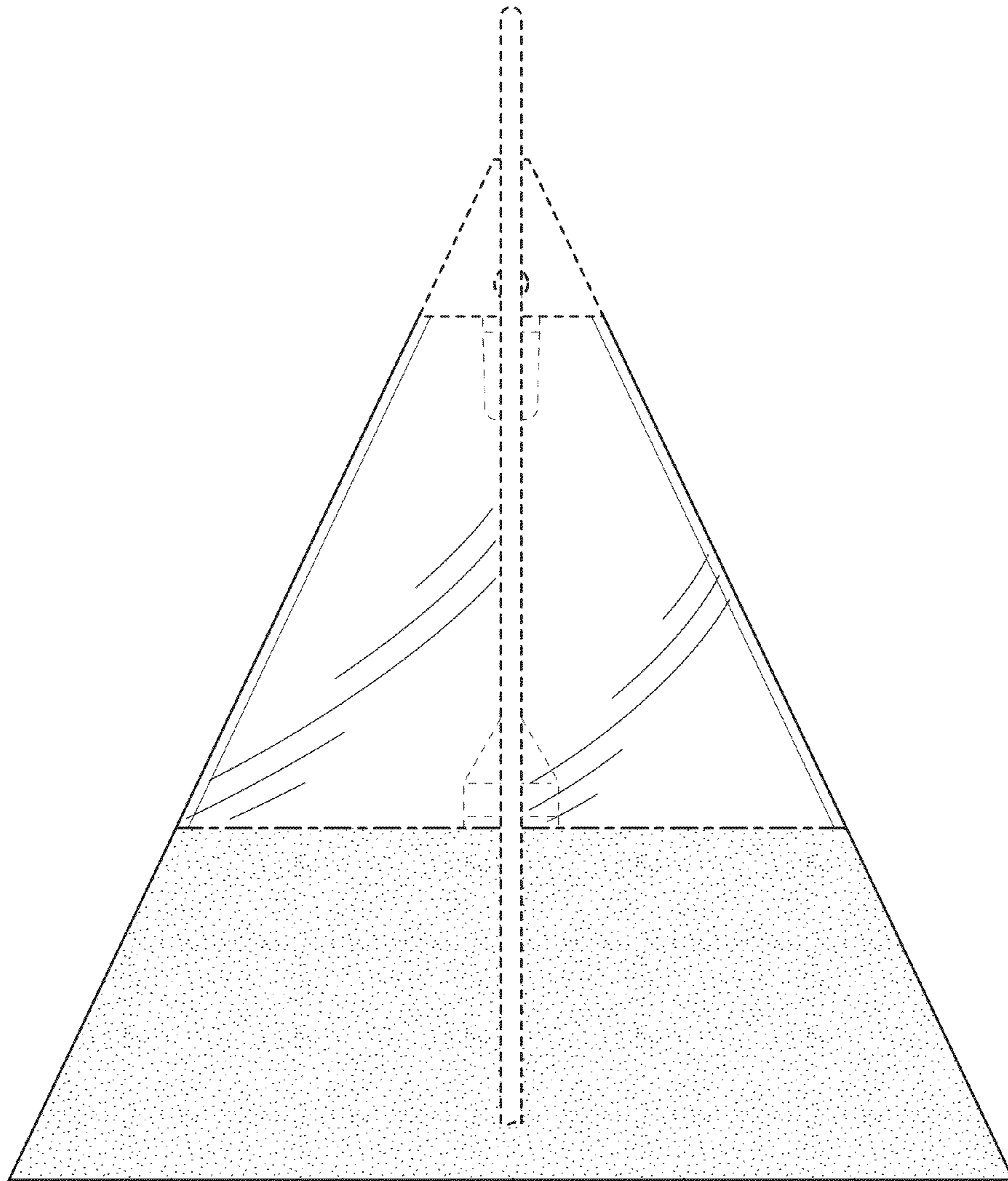


FIG. 11

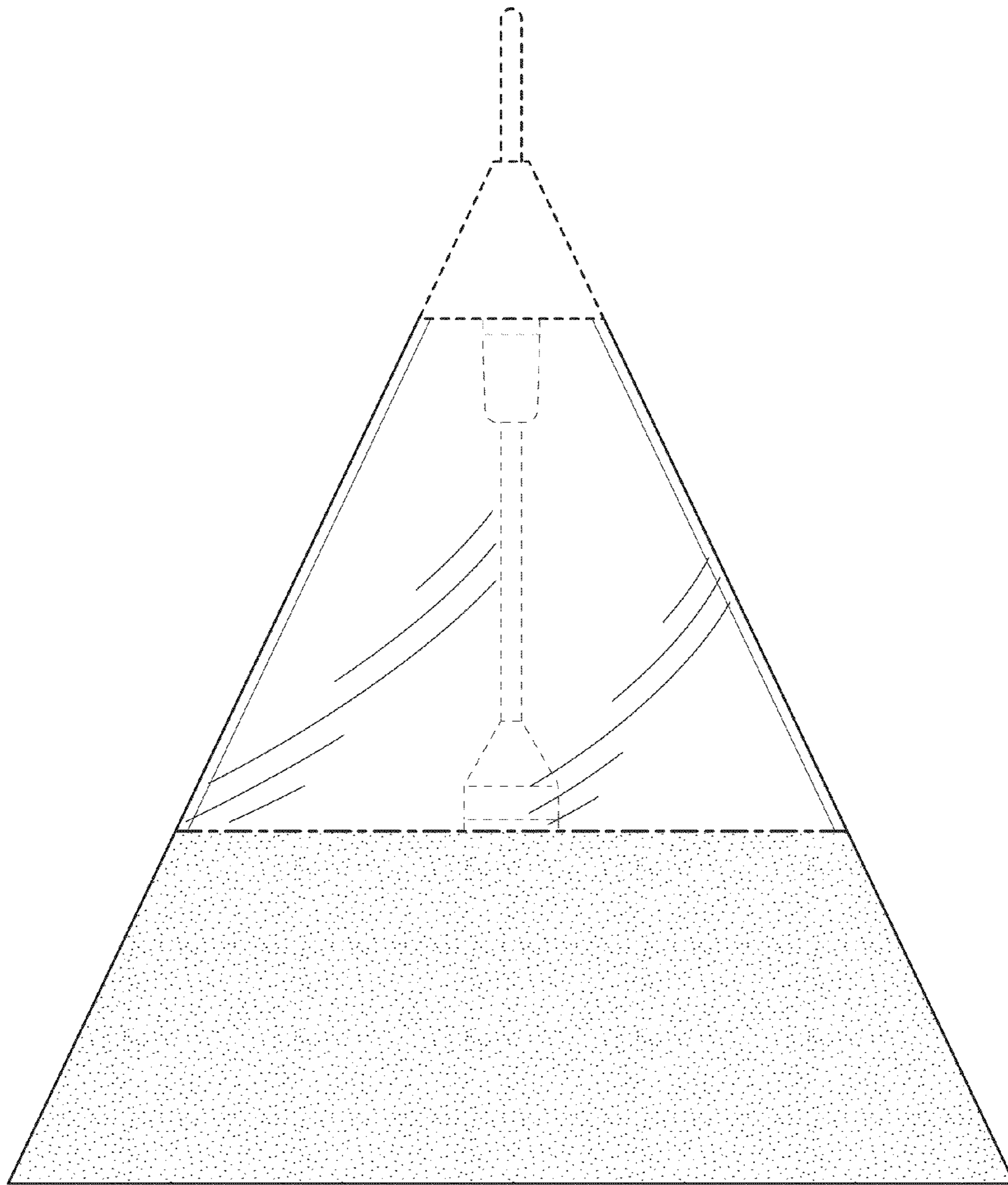


FIG. 12

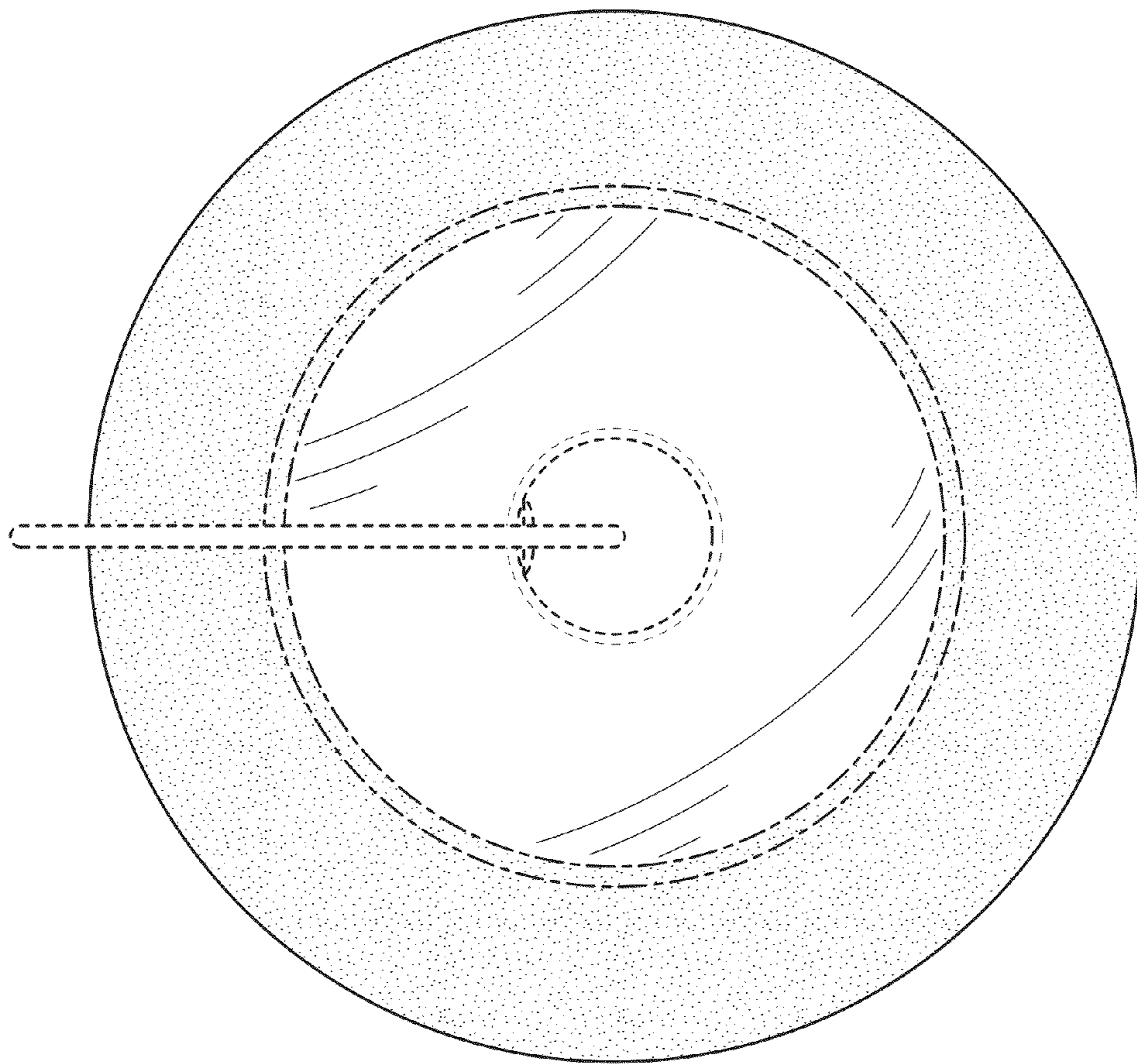


FIG. 13

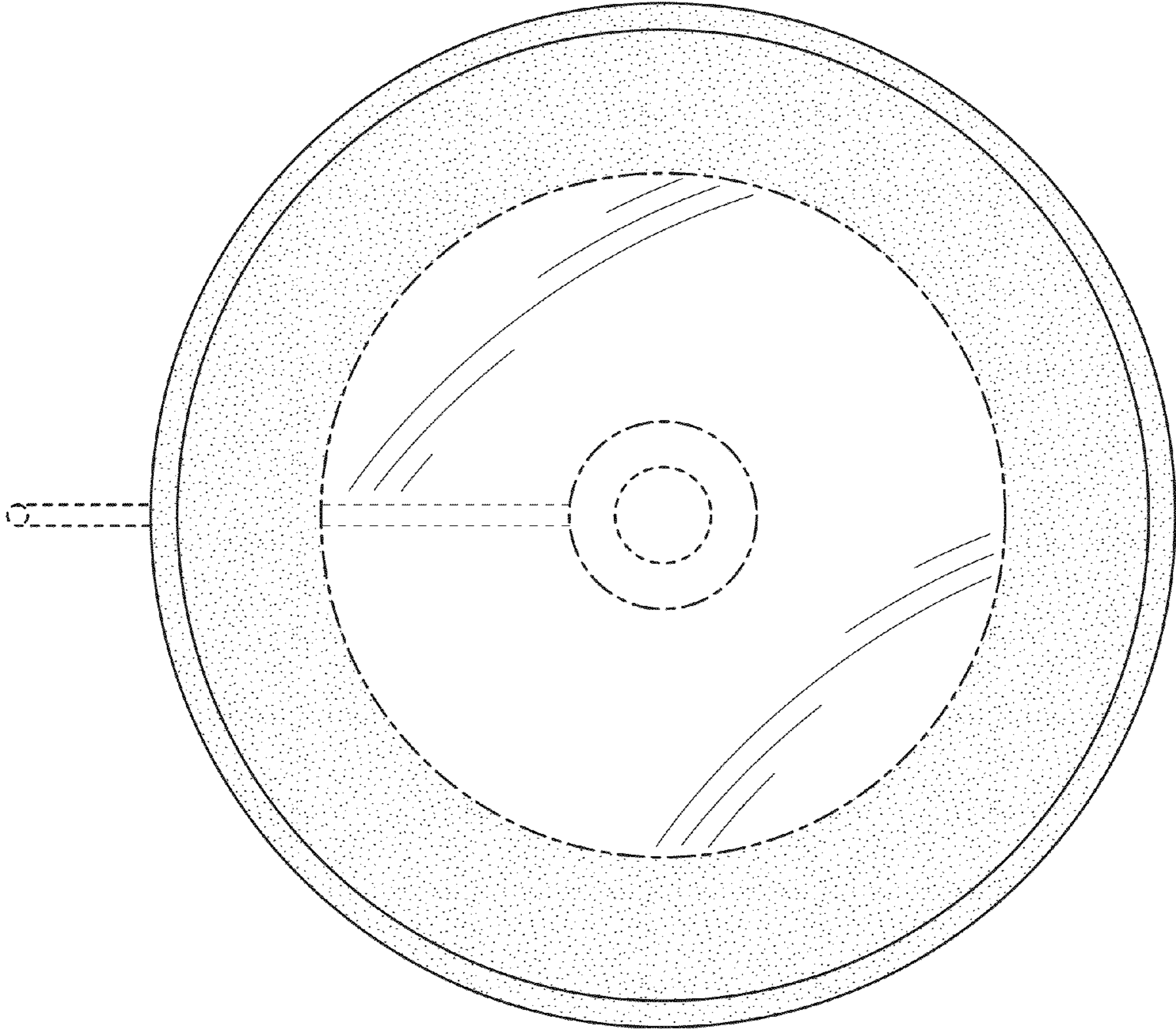


FIG. 14