



US00D757344S

(12) **United States Design Patent**
Reynolds

(10) **Patent No.:** **US D757,344 S**

(45) **Date of Patent:** **** *May 24, 2016**

(54) **BALLAST HOUSING**

(71) Applicant: **IP Holdings, LLC**, Vancouver, WA (US)

(72) Inventor: **Christopher Reynolds**, Vancouver, WA (US)

(73) Assignee: **IP Holdings, LLC**, Vancouver, WA (US)

(*) Notice: This patent is subject to a terminal disclaimer.

(**) Term: **14 Years**

(21) Appl. No.: **29/500,583**

(22) Filed: **Aug. 26, 2014**

(51) **LOC (10) Cl.** **26-99**

(52) **U.S. Cl.**
USPC **D26/113; D26/118**

(58) **Field of Classification Search**

USPC D10/18, 21, 24, 25, 27, 28, 46, 93, 104,
D10/106, 113, 116.1, 121; D26/72, 118,
D26/120, 124, 138, 2, 89

CPC A63H 30/04; G05G 2009/04748;
H04B 1/1027; F21S 8/04; F21S 2/005;
F21S 2/00; B29D 21/04; F21V 15/015;
F21V 27/00; F21V 21/14; F21V 21/005;
F21Y 2103/00

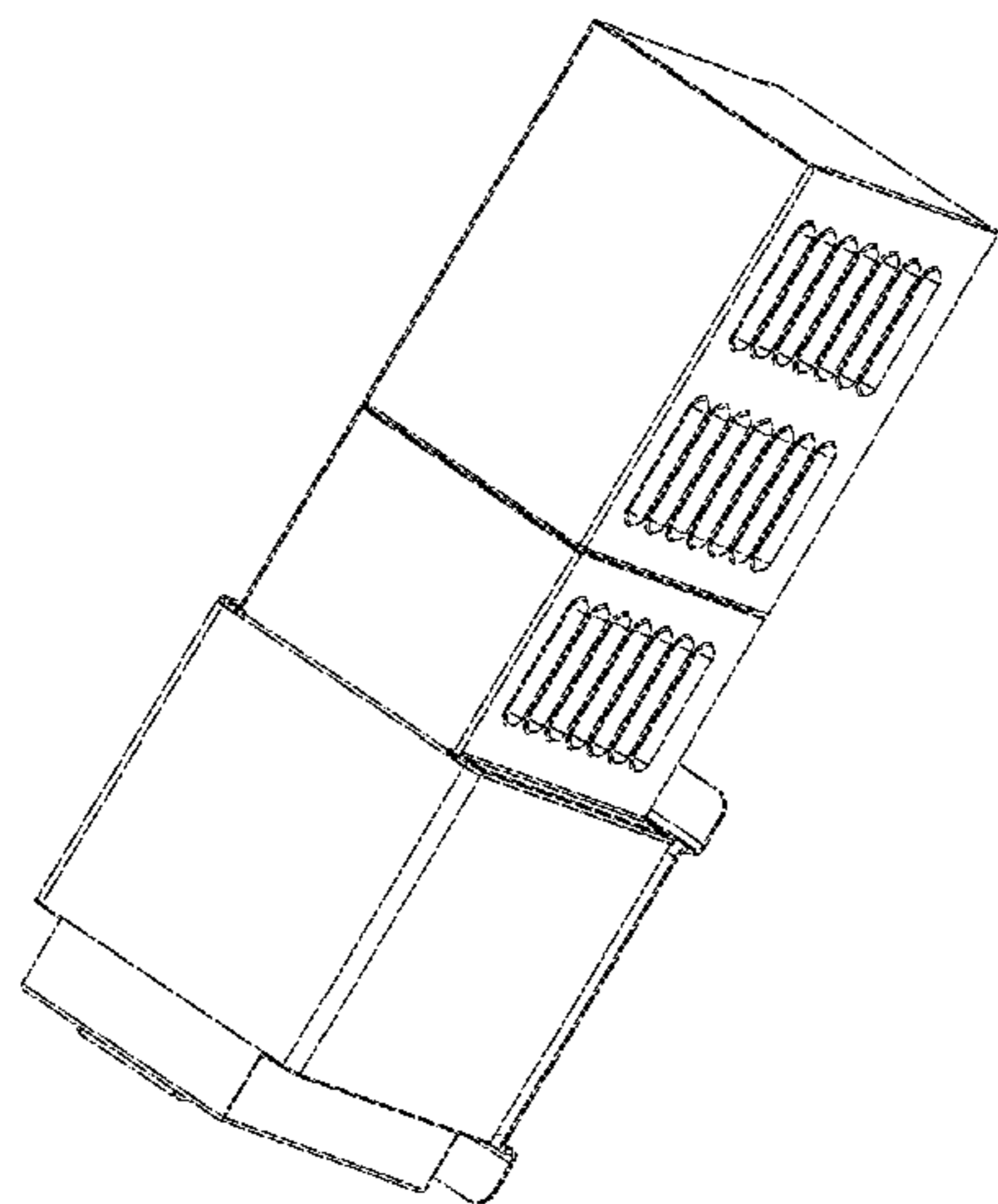
See application file for complete search history.

(56) **References Cited**

U.S. PATENT DOCUMENTS

D123,768 S * 12/1940 Scribner 362/218
2,887,242 A * 5/1959 Suarez H01F 29/06
220/4.02
3,197,545 A 7/1965 Moore
3,741,292 A 6/1973 Aakalu et al.
4,214,797 A * 7/1980 Borresen G09F 7/00
108/901

(Continued)



OTHER PUBLICATIONS

Pro Gear 1000 Watt Magnetic Ballast, image post date 2012, site visited Oct. 16, 2015, (online), <<http://growshop.ie/index.php/pro-gear-1000-watt-magnetic-ballast.html>>.*

(Continued)

Primary Examiner — Kevin Rudzinski

Assistant Examiner — Sean D Lough

(74) *Attorney, Agent, or Firm* — J. Douglas Wells

(57) **CLAIM**

The ornamental design for the ballast housing, as shown and described.

DESCRIPTION

FIG. 1 is a perspective view of a ballast housing, as viewed from below, showing my new design;

FIG. 2 is a perspective view of the housing shown in FIG. 1, as viewed from above;

FIG. 3 is a left side view of the housing shown in FIG. 1;

FIG. 4 is a right side view of the housing shown in FIG. 1;

FIG. 5 is a front elevation view of the housing shown in FIG. 1;

FIG. 6 is a rear elevation view of the housing shown in FIG. 1;

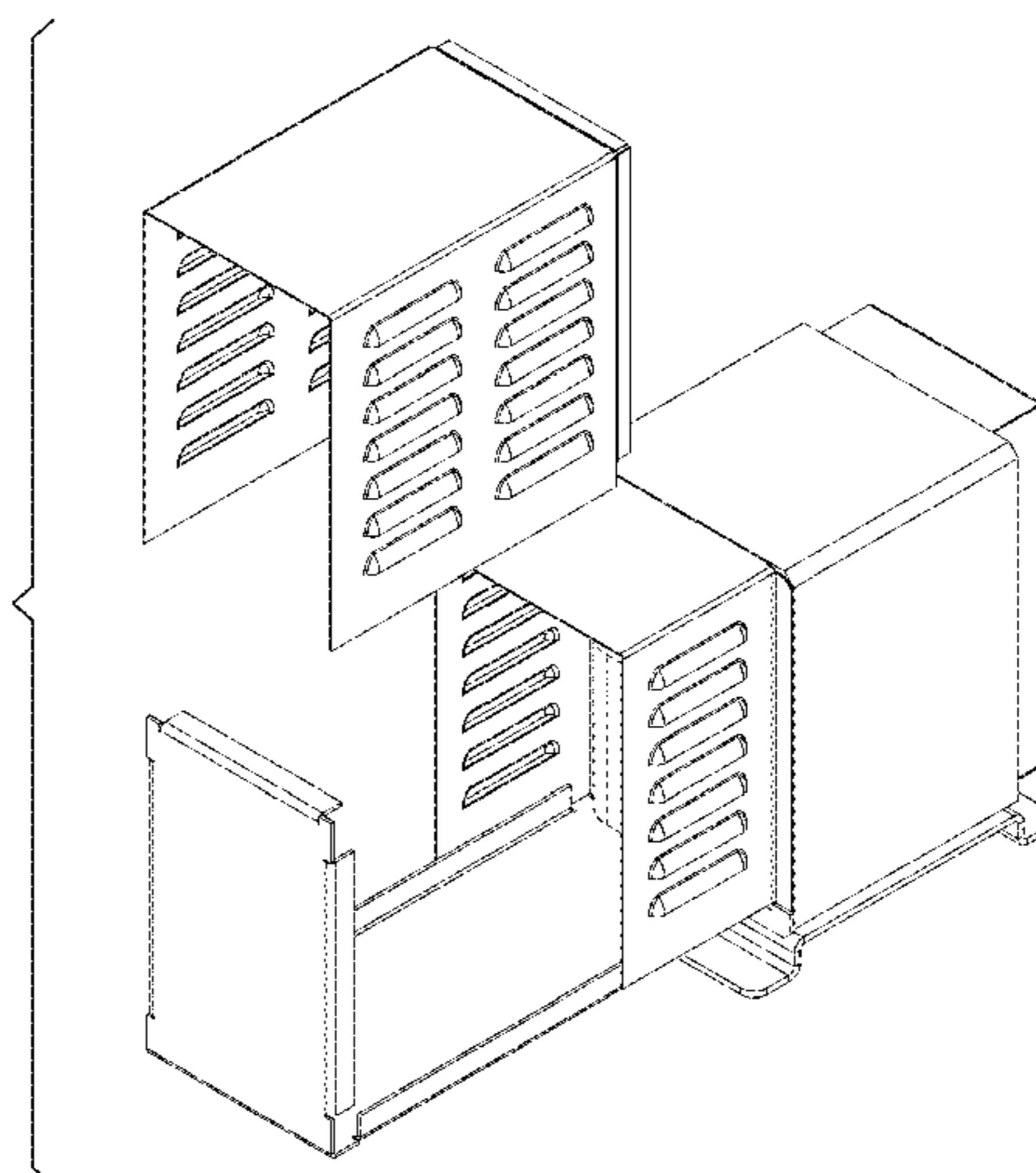
FIG. 7 is a top plan view of the housing in FIG. 1;

FIG. 8 is a bottom plan view of the housing shown in FIG. 1; and,

FIG. 9 is a perspective view of the housing shown in FIG. 1, wherein an access cover portion is shown in a removed position.

The broken lines (where present) in all FIGS. illustrate portions of the ballast housing which form no part of the claimed design.

1 Claim, 9 Drawing Sheets



(56)

References Cited

U.S. PATENT DOCUMENTS

4,394,692 A * 7/1983 Randmae H04N 5/2252
348/143

4,413,674 A 11/1983 Avery et al.

4,471,898 A 9/1984 Parker

D277,892 S * 3/1985 Reding D26/24

4,602,826 A * 7/1986 Zimmer A47B 81/06
312/108

4,745,966 A 5/1988 Avery

4,924,152 A 5/1990 Flickinger

5,031,070 A * 7/1991 Hsu G06F 1/18
220/690

5,140,225 A 8/1992 Barton

5,159,528 A * 10/1992 Murphy G06F 1/183
312/257.1

5,260,851 A * 11/1993 Chiou G06F 1/181
361/679.31

5,278,351 A * 1/1994 Herrick H05K 9/0049
174/372

5,309,315 A * 5/1994 Naedel H05K 7/1427
174/386

D360,047 S * 7/1995 Zimmerman D26/67

5,446,617 A 8/1995 Blocher et al.

5,483,423 A * 1/1996 Lewis H05K 9/0062
174/358

D373,625 S 9/1996 Pereira

D387,333 S 12/1997 Pellow et al.

D387,970 S 12/1997 Enslin

5,867,369 A * 2/1999 Antonuccio G06F 1/184
312/223.2

5,894,884 A 4/1999 Durian

5,917,696 A * 6/1999 Peng G06F 1/184
361/679.33

5,944,210 A * 8/1999 Yetter H02G 3/081
220/241

6,005,768 A * 12/1999 Jo G11B 33/08
248/638

6,038,126 A * 3/2000 Weng G06F 1/189
312/223.2

6,082,842 A * 7/2000 Ho G06F 1/181
312/223.2

D432,639 S 10/2000 Durian

6,129,429 A * 10/2000 Hardt G06F 1/183
312/223.2

6,147,859 A * 11/2000 Abboud G06F 1/20
312/223.1

6,411,514 B1 * 6/2002 Hussaini H05K 7/209
165/104.33

6,445,663 B1 * 9/2002 Chen G06F 1/184
361/679.36

D477,568 S 7/2003 Milby

D478,547 S 8/2003 Milby

6,693,371 B2 * 2/2004 Ziegler H02J 9/062
307/64

6,697,258 B1 * 2/2004 Muhlfeld H05F 5/069
361/679.01

6,758,353 B2 * 7/2004 Orr H05K 7/183
211/183

6,960,842 B2 * 11/2005 Ziegler H02J 9/062
307/64

7,040,491 B1 * 5/2006 Claprood H05K 7/1425
211/183

D523,803 S 6/2006 Smith et al.

7,164,581 B2 * 1/2007 Carullo H05K 7/1451
361/679.48

D537,777 S 3/2007 Hargreaves

D542,460 S * 5/2007 Hargreaves D26/118

D545,996 S 7/2007 Hargreaves

D550,894 S * 9/2007 Huang D26/142

7,397,670 B2 * 7/2008 Su H02M 7/003
174/520

7,566,104 B2 * 7/2009 Chen G06F 1/181
312/223.2

7,696,872 B2 * 4/2010 Burwell G08B 25/14
340/539.31

D615,848 S 5/2010 Prichard et al.

D619,276 S * 7/2010 Choi D26/26

7,782,605 B2 * 8/2010 Wu G11B 33/125
312/223.1

D625,168 S 10/2010 Chen

D625,877 S * 10/2010 Hsu D26/80

D627,503 S * 11/2010 Postelmans D26/72

D627,919 S * 11/2010 Trice D26/121

D638,307 S * 5/2011 Rossi D9/721

D639,495 S * 6/2011 Huang D26/118

D643,964 S * 8/2011 Heyrman D26/85

D654,350 S 2/2012 Preda

D663,228 S * 7/2012 Reinbach D10/114.4

D663,459 S * 7/2012 Wauters D26/68

D663,469 S * 7/2012 Lee D26/74

8,238,117 B2 * 8/2012 Burwell G08B 25/14
361/752

D668,810 S * 10/2012 Bryant D26/85

D673,720 S * 1/2013 Bailey D26/138

D678,599 S * 3/2013 Boyer D26/128

D696,165 S * 12/2013 Campbell D12/163

D704,375 S * 5/2014 Bailey D26/138

D705,230 S * 5/2014 Hung D14/440

D710,000 S * 7/2014 Moreno D23/386

D710,530 S * 8/2014 Chang D26/118

D714,253 S * 9/2014 Aglassinger D14/188

D715,148 S * 10/2014 Kuo D9/456

D715,476 S * 10/2014 Tien D26/74

D716,730 S * 11/2014 Liu D13/110

D724,257 S * 3/2015 Klus D26/141

D731,688 S * 6/2015 Piano D26/63

2008/0251663 A1 * 10/2008 Tracy A47B 91/00
248/188.8

2010/0319953 A1 12/2010 Yochum et al.

2011/0025797 A1 2/2011 Rosati et al.

2011/0025803 A1 2/2011 Rosati et al.

OTHER PUBLICATIONS

Hot Head 1000 Watt Ballast, image post date Jun. 7, 2014, site visited Oct. 16, 2015, (online), <<https://www.tineye.com/search/16ab65f3e8fc49af5495f0d8aed17b35afa6524e/?pluginver=>>>.*

1000W Hardcore Ballast—Yield Master 6 inch Air-Cooled Bundle, image post date Jun. 9, 2014, site visited Oct. 16, 2015, (online), <<http://web.archive.org/web/20140609182241/http://4hydroponics.com/sunlight-supply>>.*

* cited by examiner

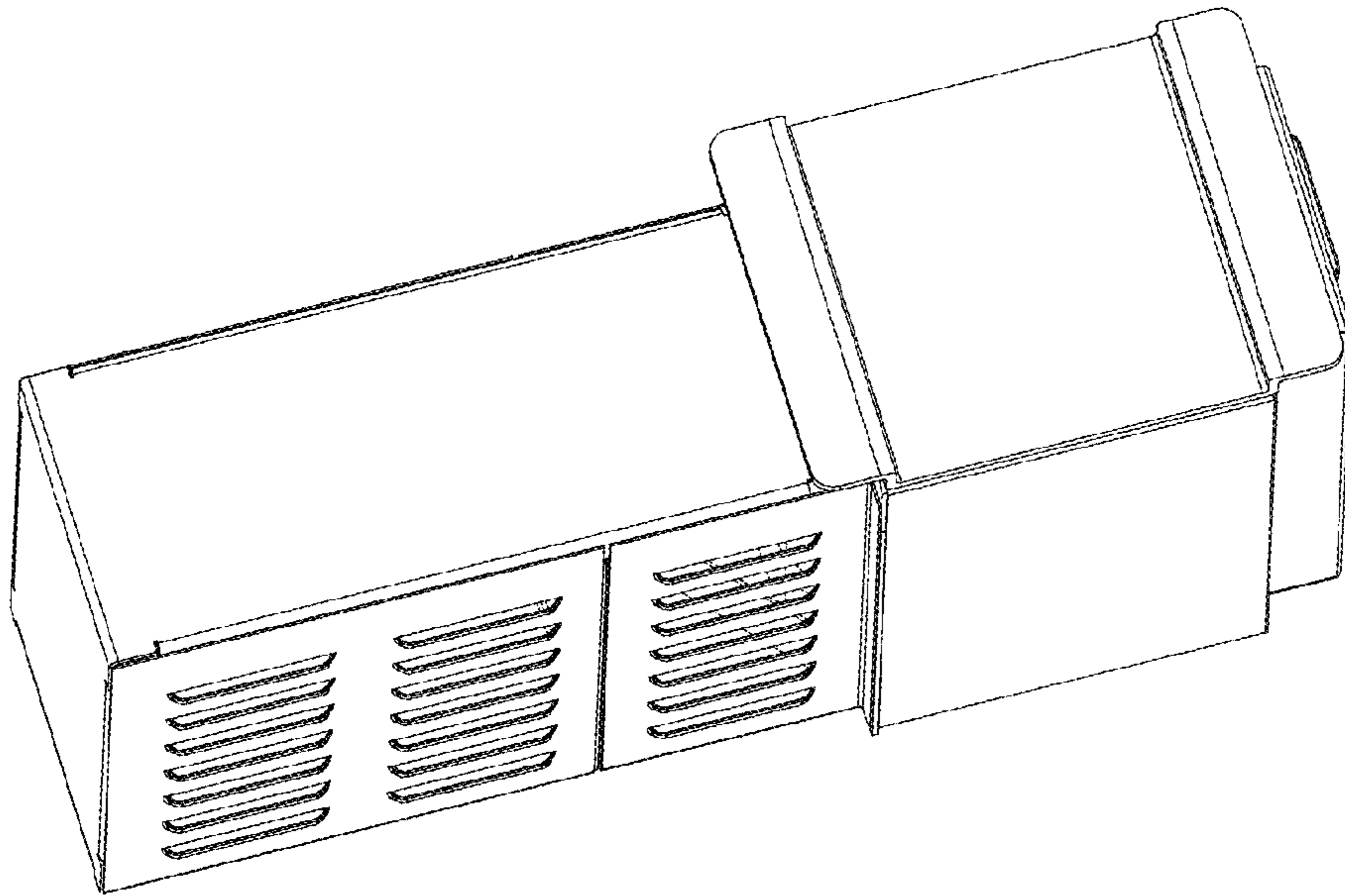


FIG. 1

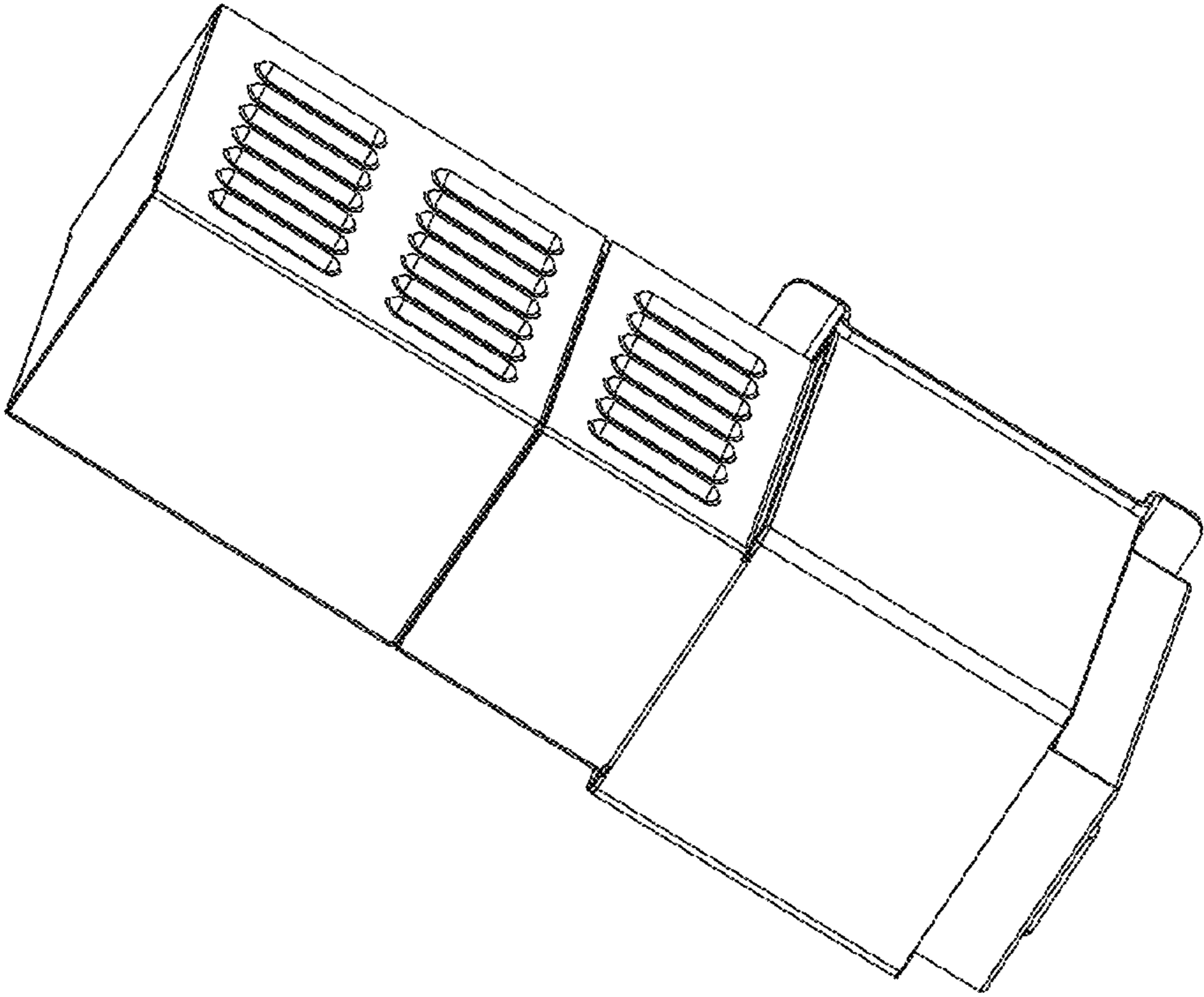


FIG. 2

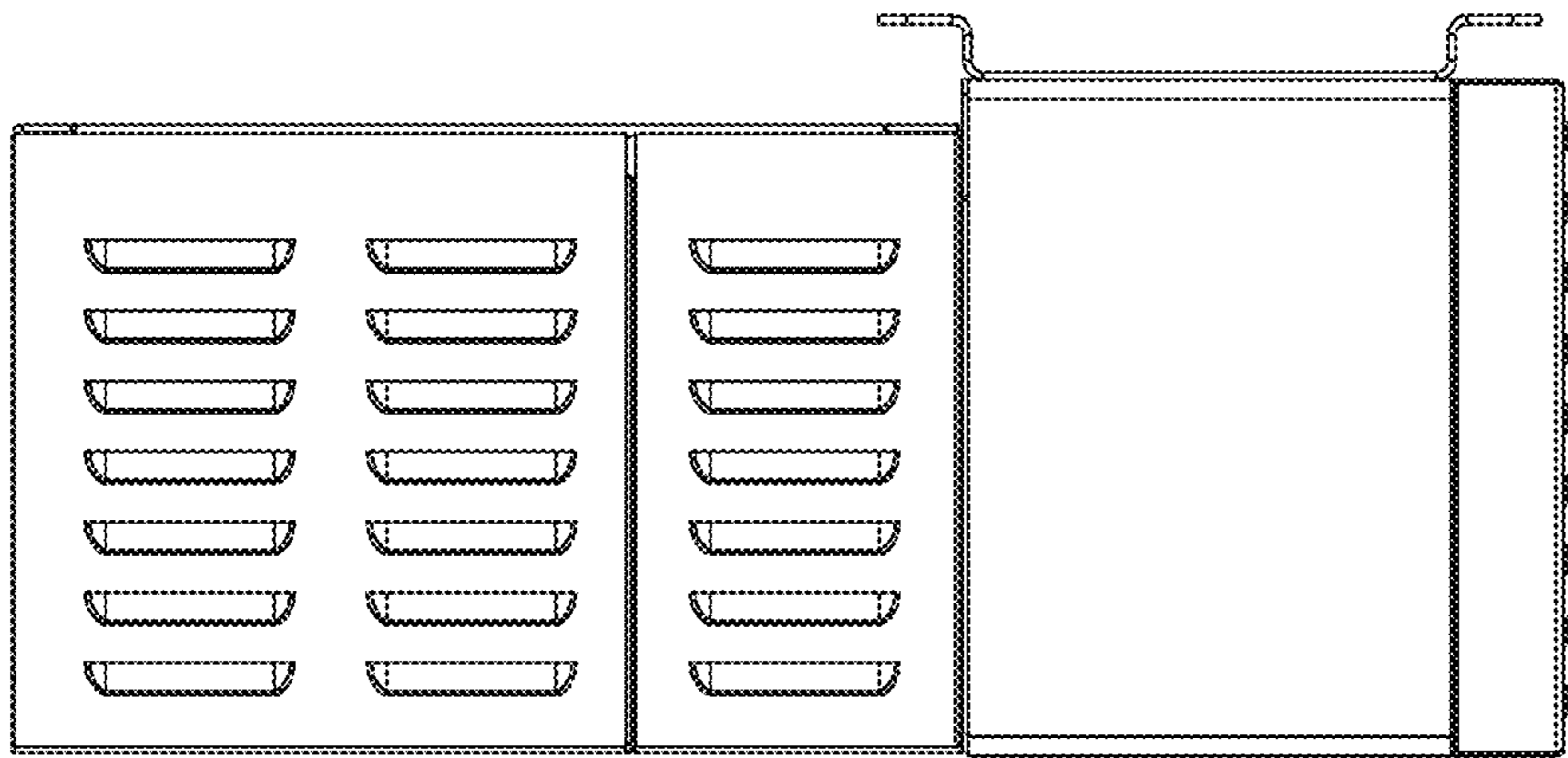


FIG. 3

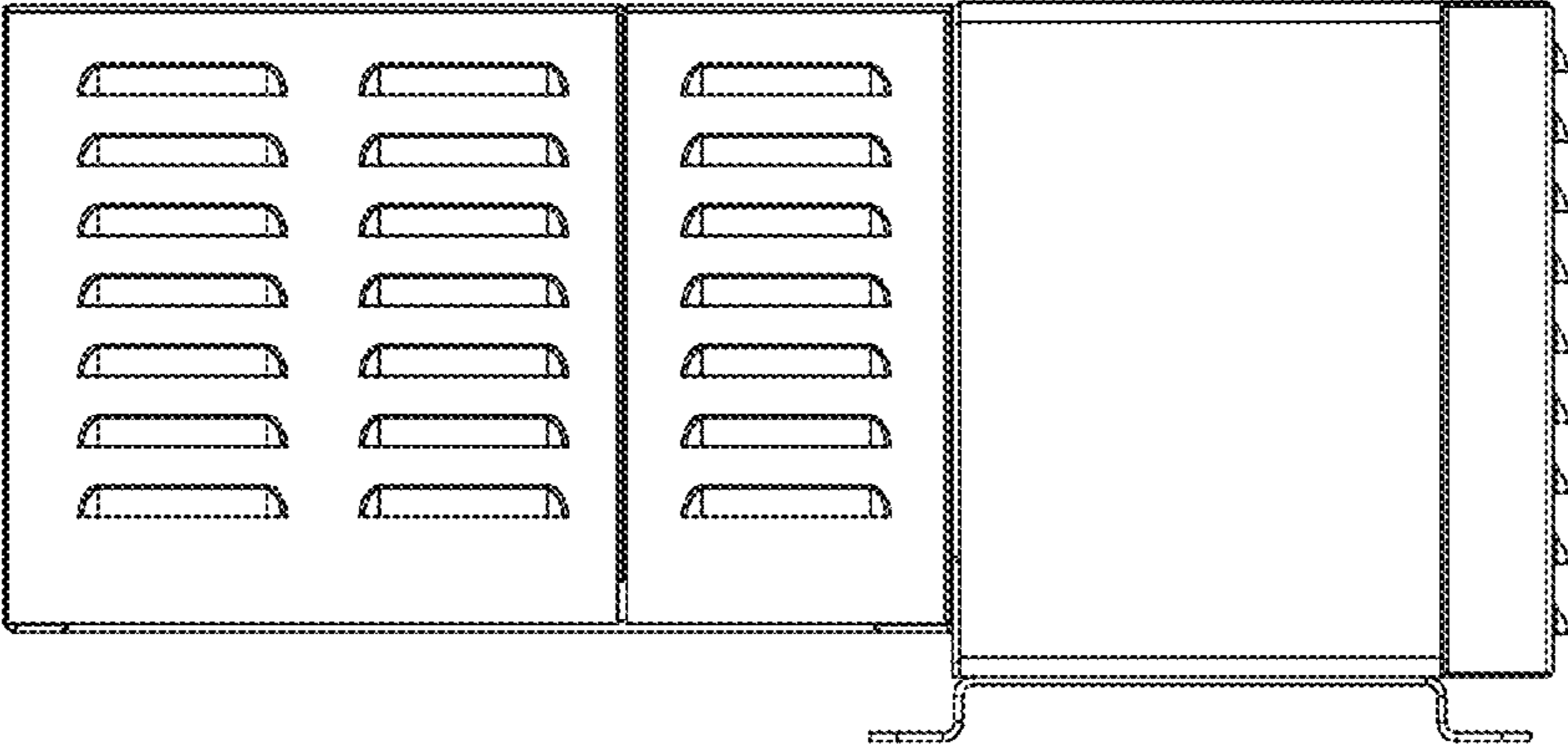


FIG. 4

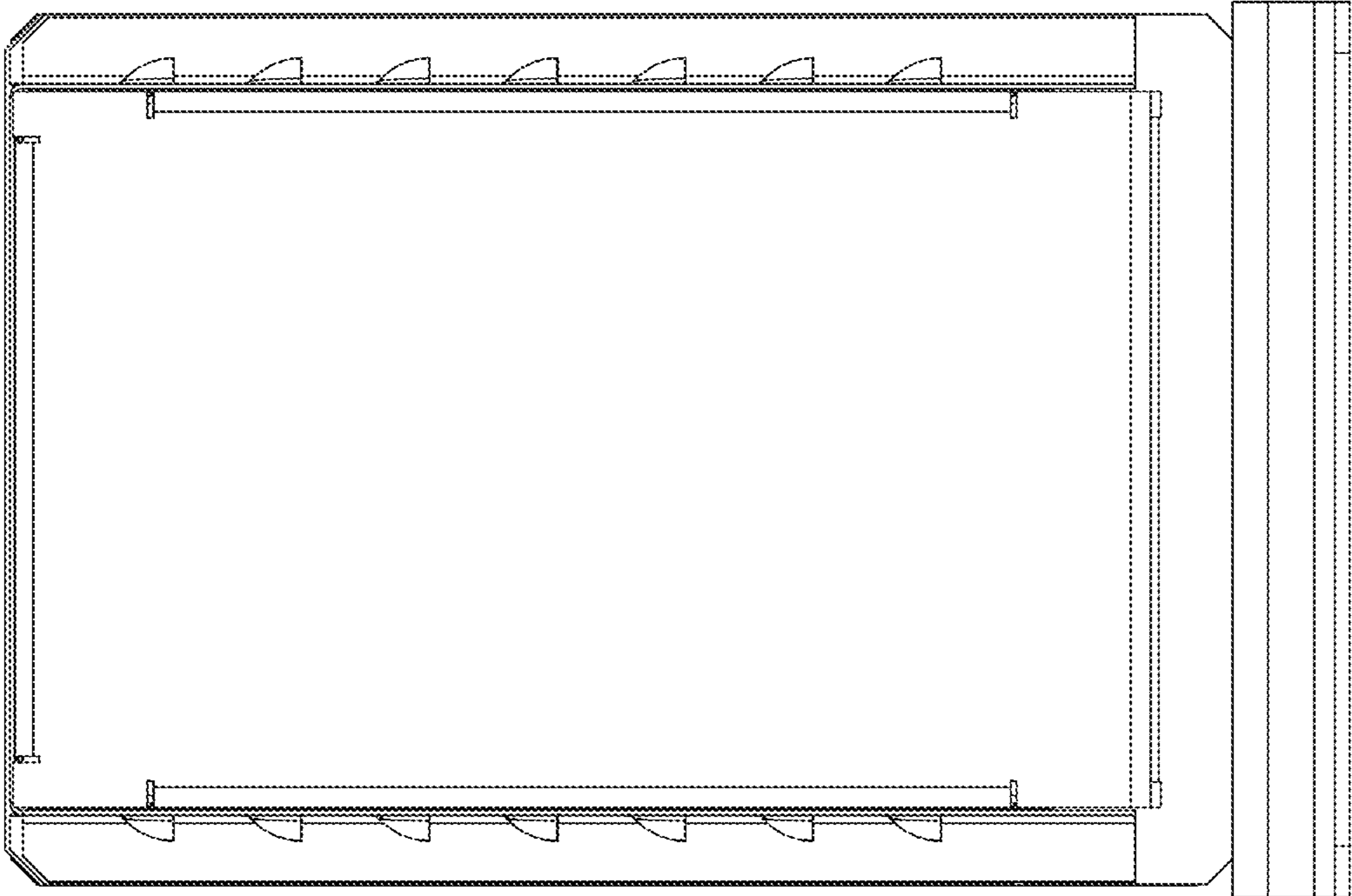


FIG. 5

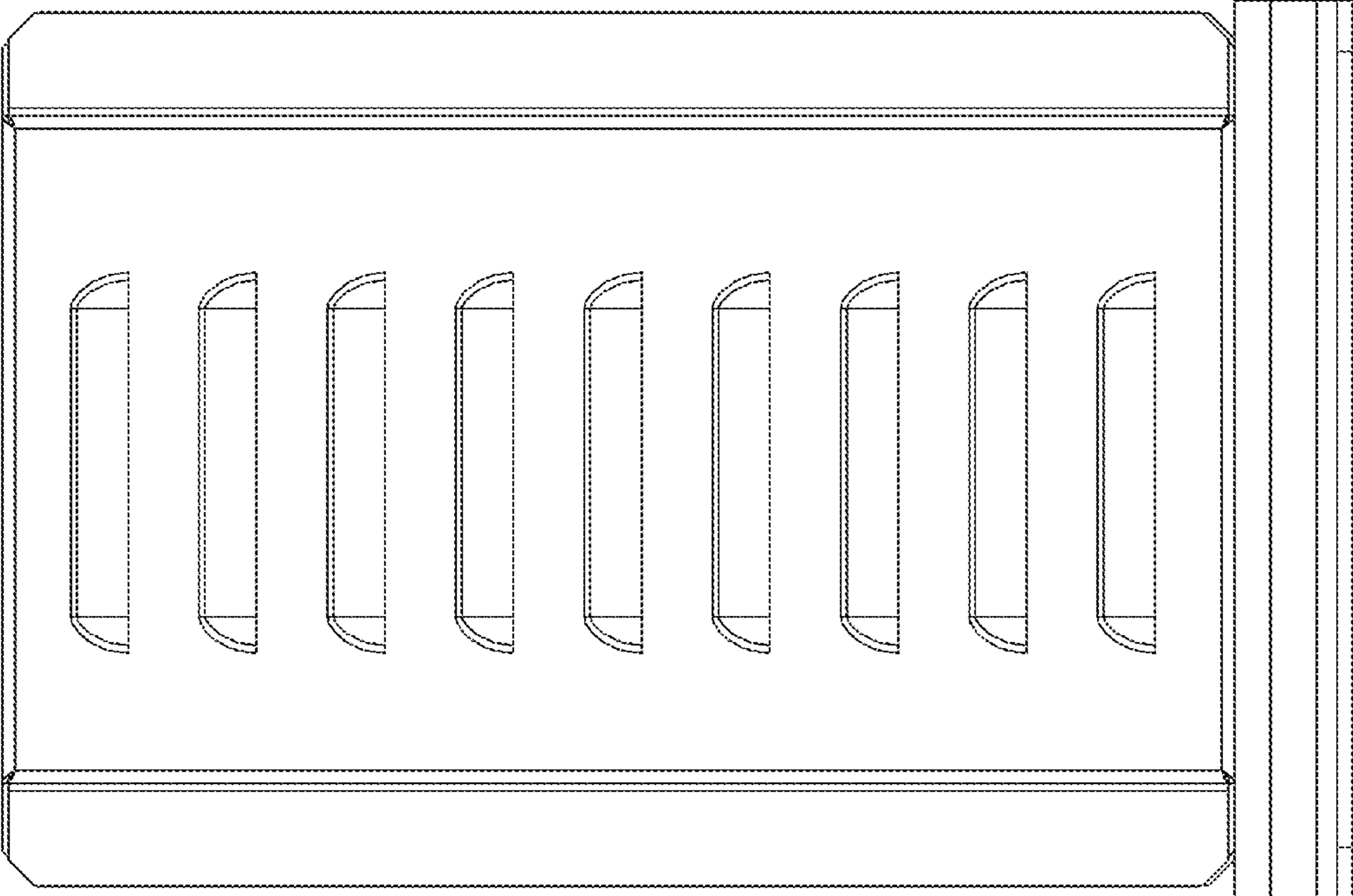


FIG. 6

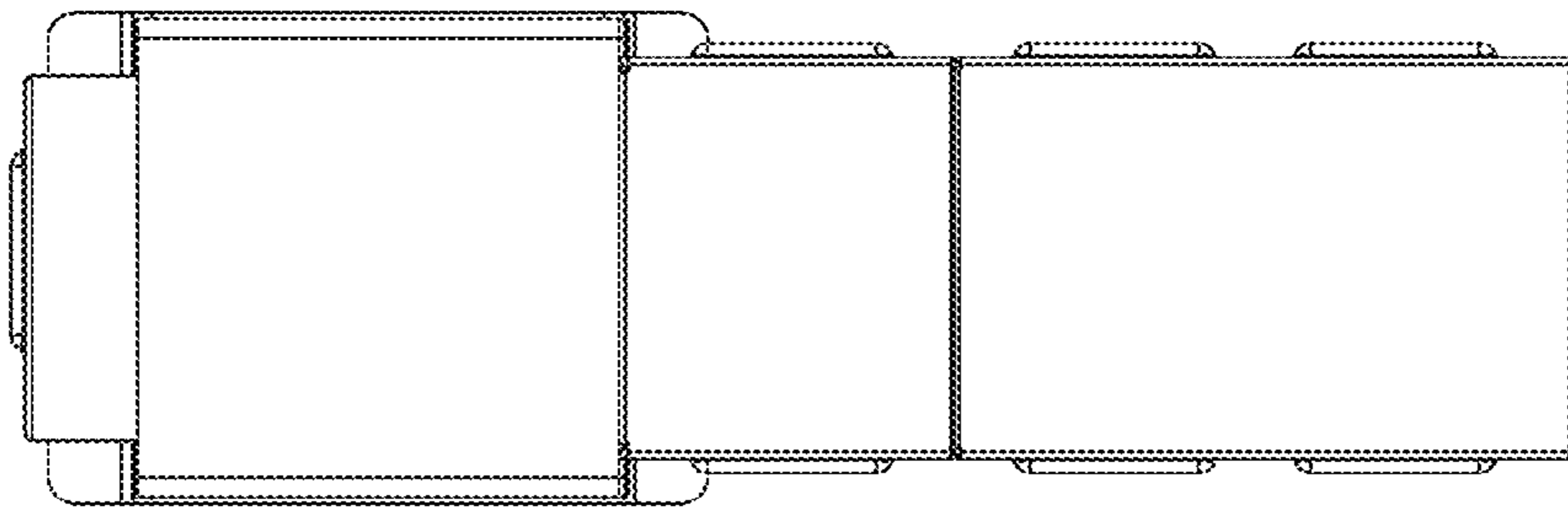


FIG. 7

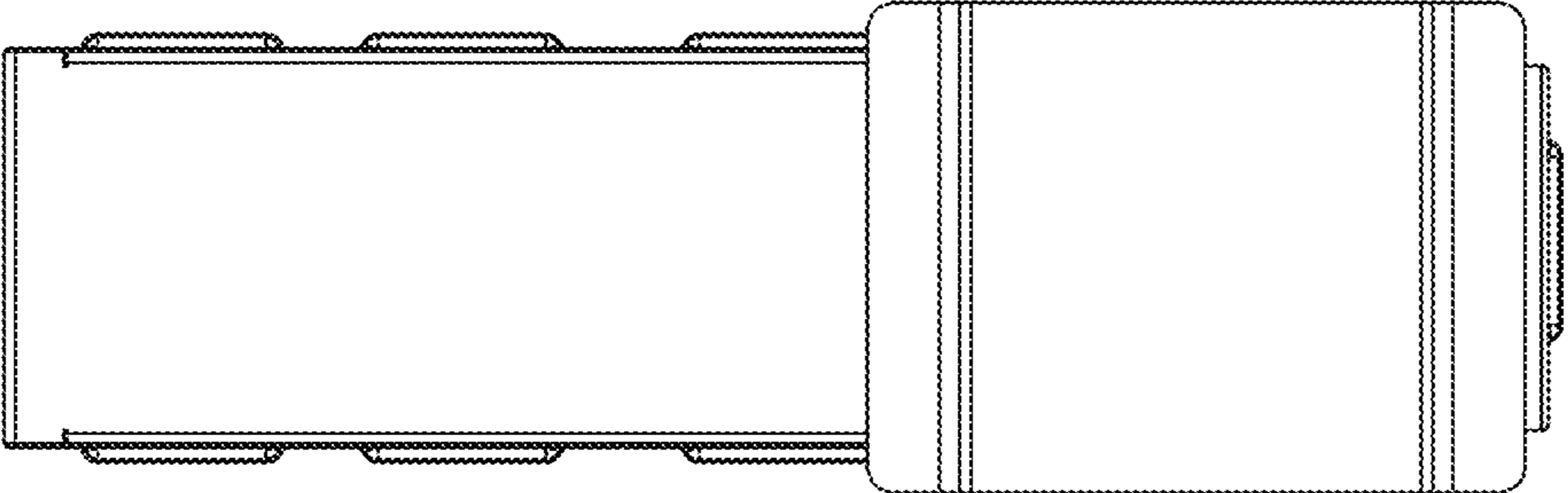


FIG. 8

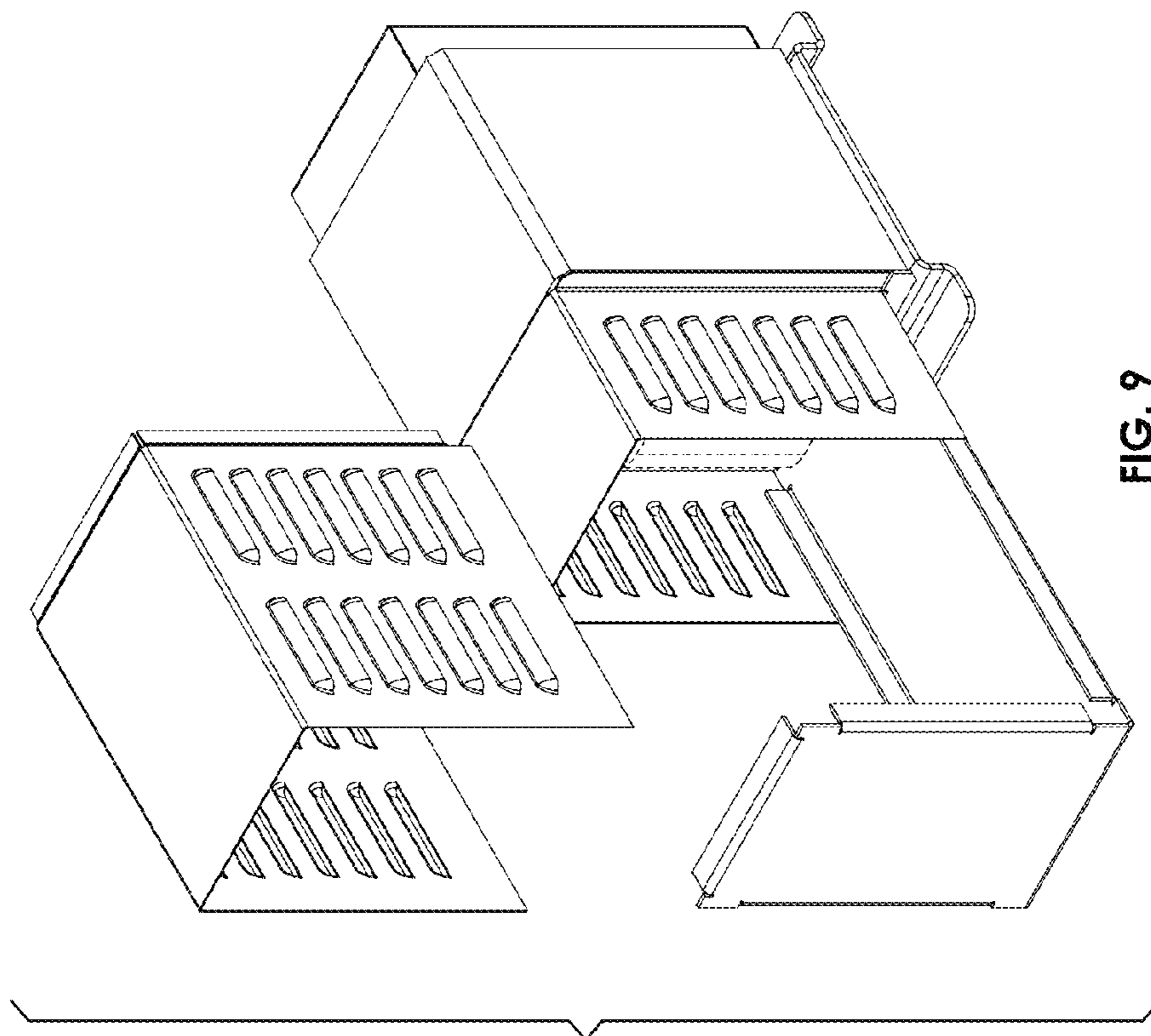


FIG. 9