



US00D757342S

(12) **United States Design Patent**
Cai et al.

(10) **Patent No.:** **US D757,342 S**
(45) **Date of Patent:** **** May 24, 2016**

(54) **LIGHT**

(71) Applicant: **NINGBO YUSING OPTOELECTRONIC TECHNOLOGY CO., LTD.**, Ningbo, Zhejiang (CN)

(72) Inventors: **Xiaoyu Cai**, Ningbo (CN); **Liang Zhang**, Ningbo (CN)

(73) Assignee: **NINGBO YUSING OPTOELECTRONIC TECHNOLOGY CO., LTD.**, Ningbo (CN)

(**) Term: **14 Years**

(21) Appl. No.: **29/519,800**

(22) Filed: **Mar. 9, 2015**

(30) **Foreign Application Priority Data**

Oct. 28, 2014 (CN) 2014 3 0413613

(51) **LOC (10) Cl.** **26-03**

(52) **U.S. Cl.**
USPC **D26/107**

(58) **Field of Classification Search**
USPC D26/1, 24, 61, 63, 65, 85, 93, 106, 107
CPC F21V 21/14; F21V 15/01; F21V 14/02;
F21V 21/30; F21V 21/00; F21V 14/00;
F21S 8/00; F21S 8/003; F21S 8/043; F21Y
2105/001

See application file for complete search history.

(56) **References Cited**

U.S. PATENT DOCUMENTS

D368,549 S *	4/1996	Huang	D26/107
D608,925 S *	1/2010	Hodgson	D26/62
D624,231 S *	9/2010	Karim	D26/93
D669,628 S *	10/2012	Huang	D26/107
D673,716 S *	1/2013	Huang	D26/93
D678,593 S *	3/2013	Huang	D26/93

* cited by examiner

Primary Examiner — Brian N Vinson

(57) **CLAIM**

The ornamental design for a light, as shown and described.

DESCRIPTION

FIG. 1 is a front elevational view of a light showing our new design;

FIG. 2 is a rear elevational view thereof;

FIG. 3 is a left side view thereof;

FIG. 4 is a right side view thereof;

FIG. 5 is a top plan view thereof;

FIG. 6 is a bottom plan view thereof;

FIG. 7 is a first perspective view thereof;

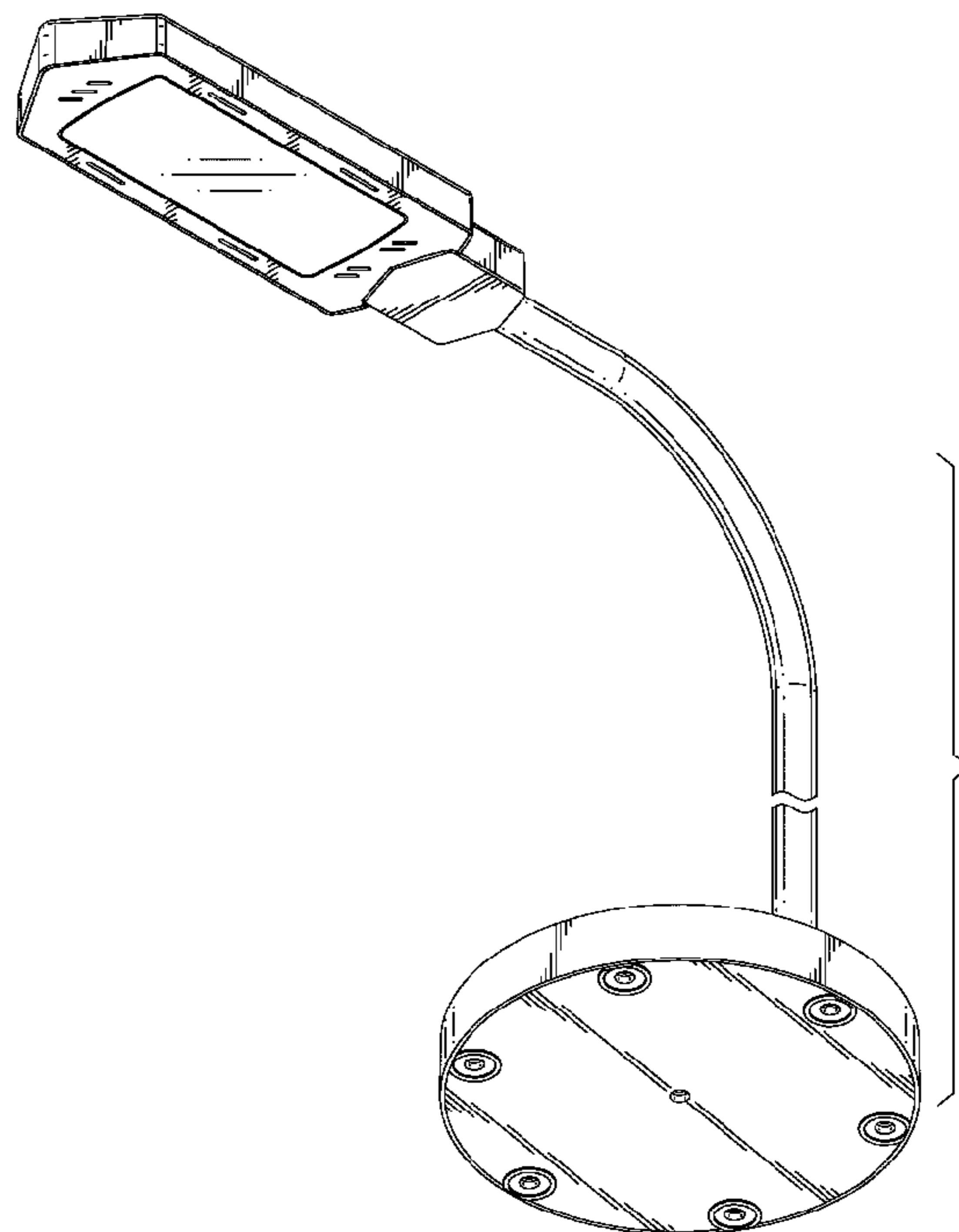
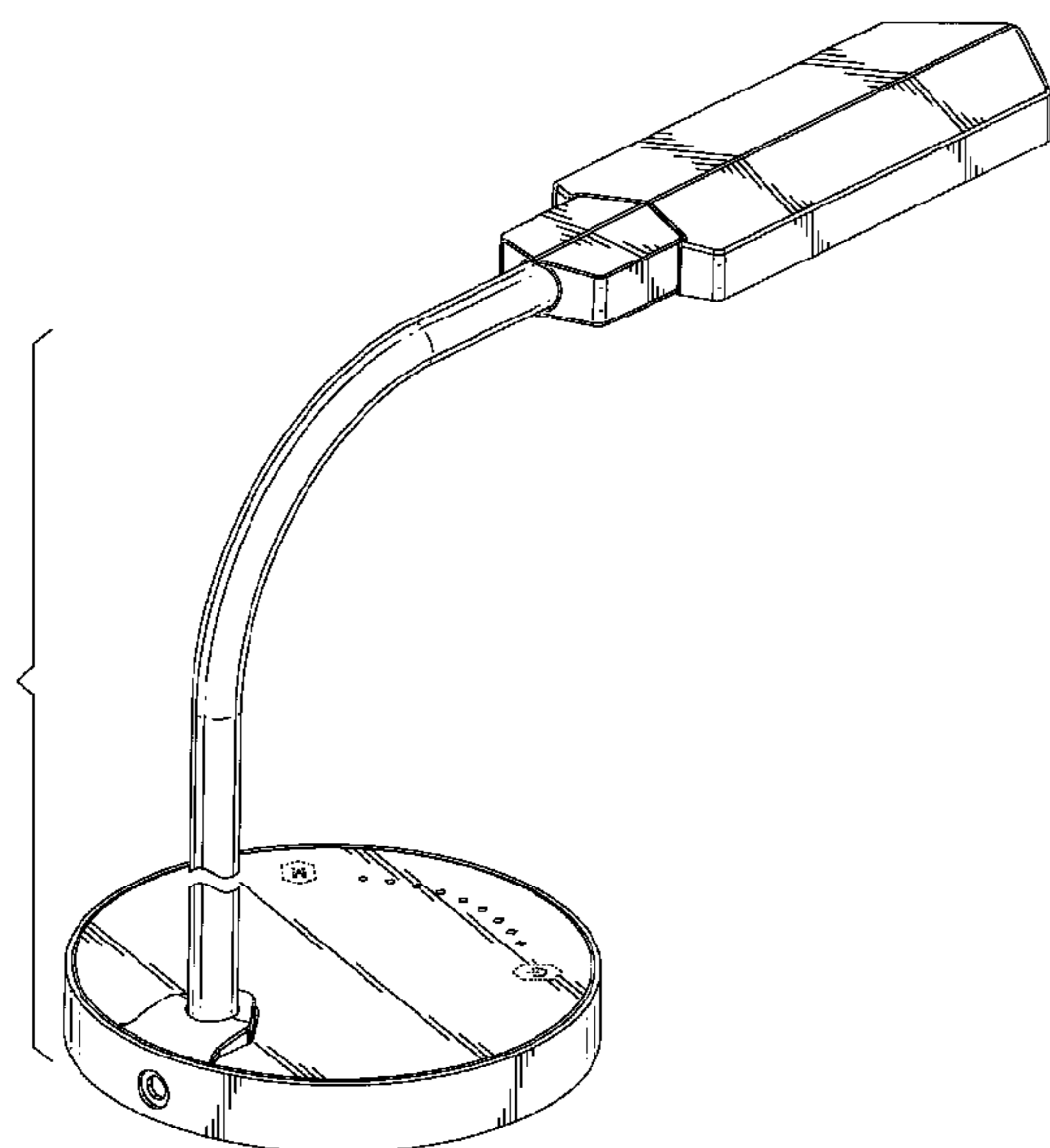
FIG. 8 is a second perspective view thereof; and,

FIG. 9 is a third perspective view thereof.

The broken lines are for illustrative purposes only and form no part of the claimed design.

The break lines shown in FIG. 1-FIG. 4 and FIG. 7-FIG. 9 indicate the light has no specific length.

1 Claim, 9 Drawing Sheets



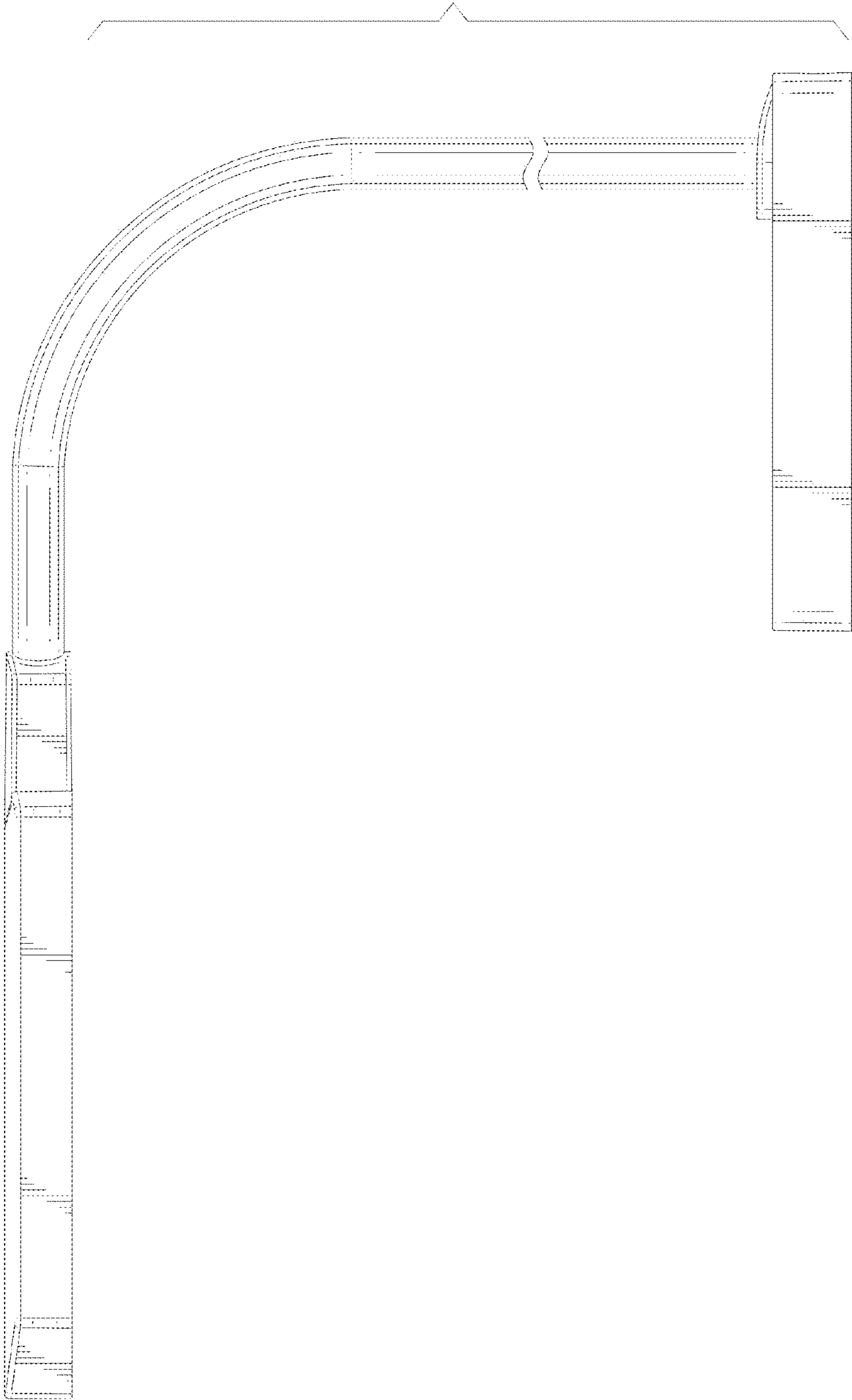


FIG.1

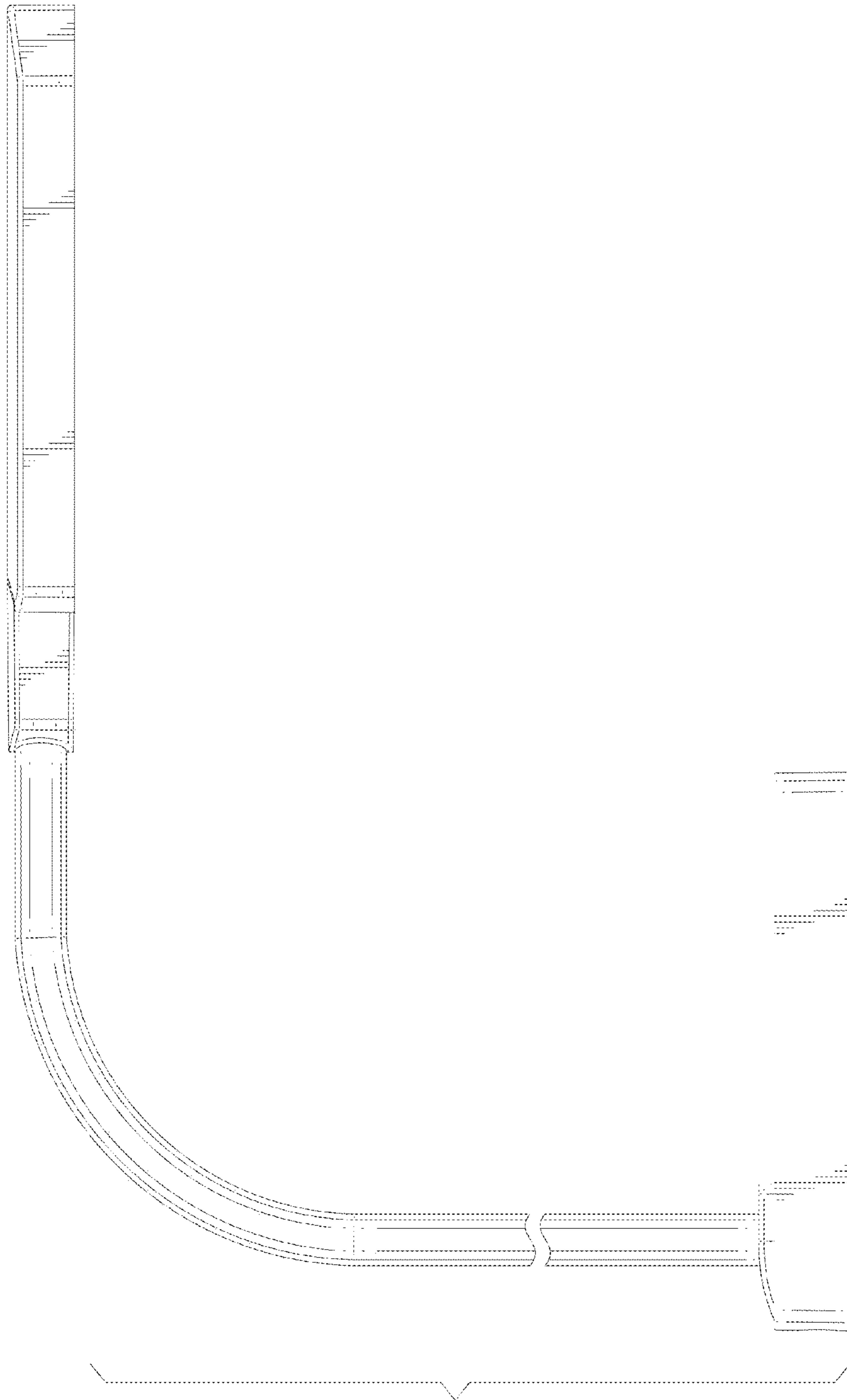


FIG. 2

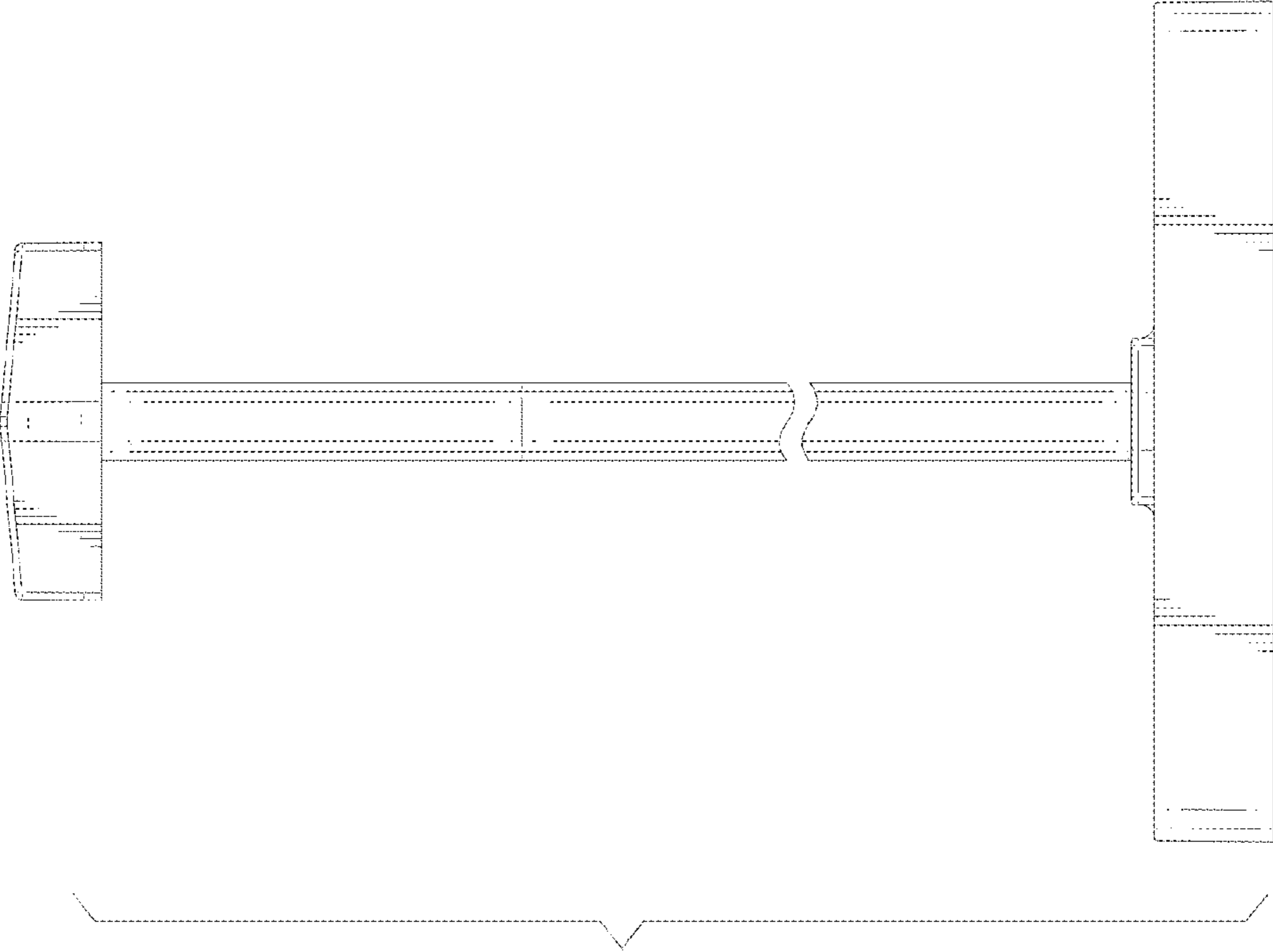


FIG.3

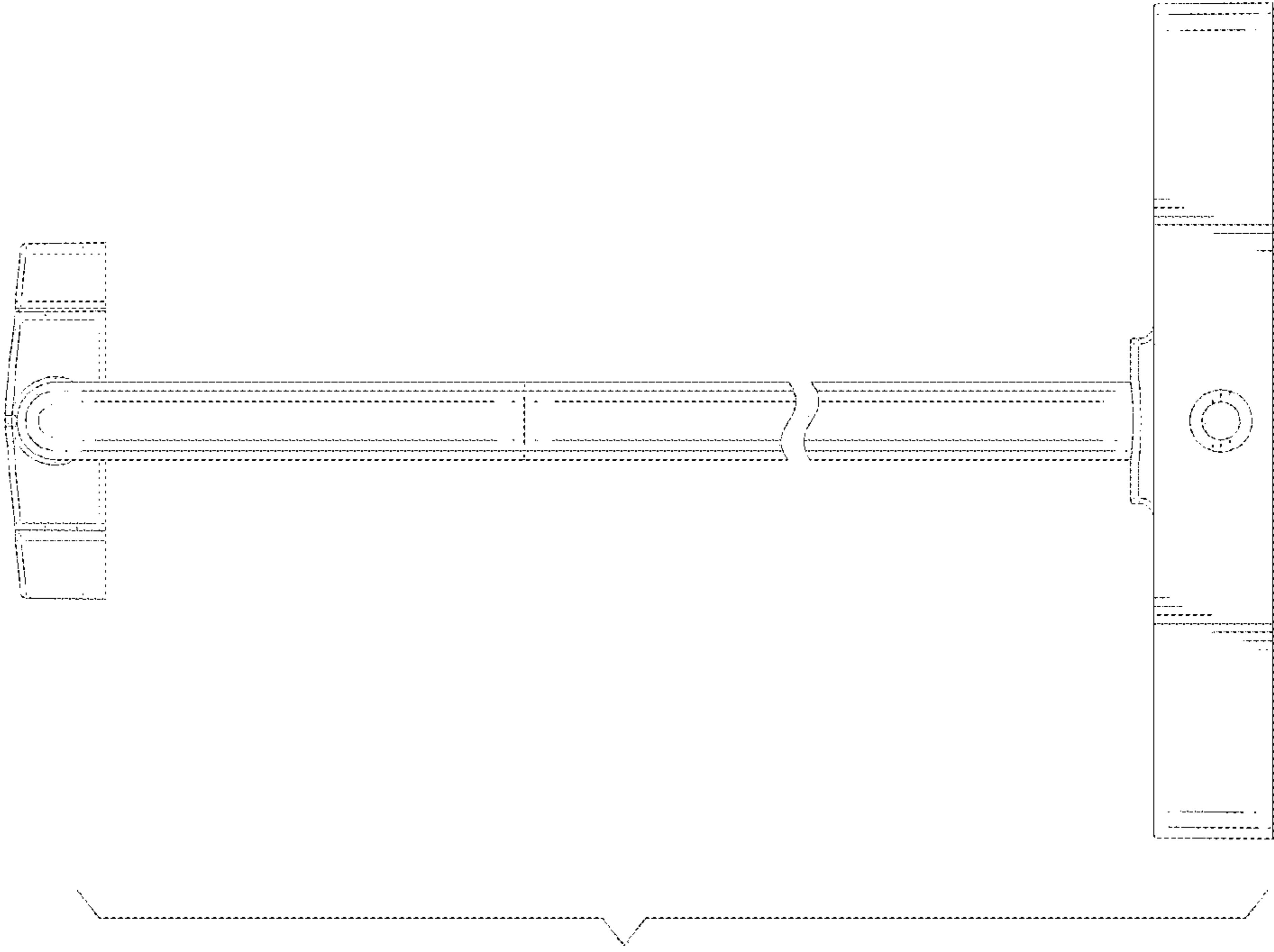


FIG.4

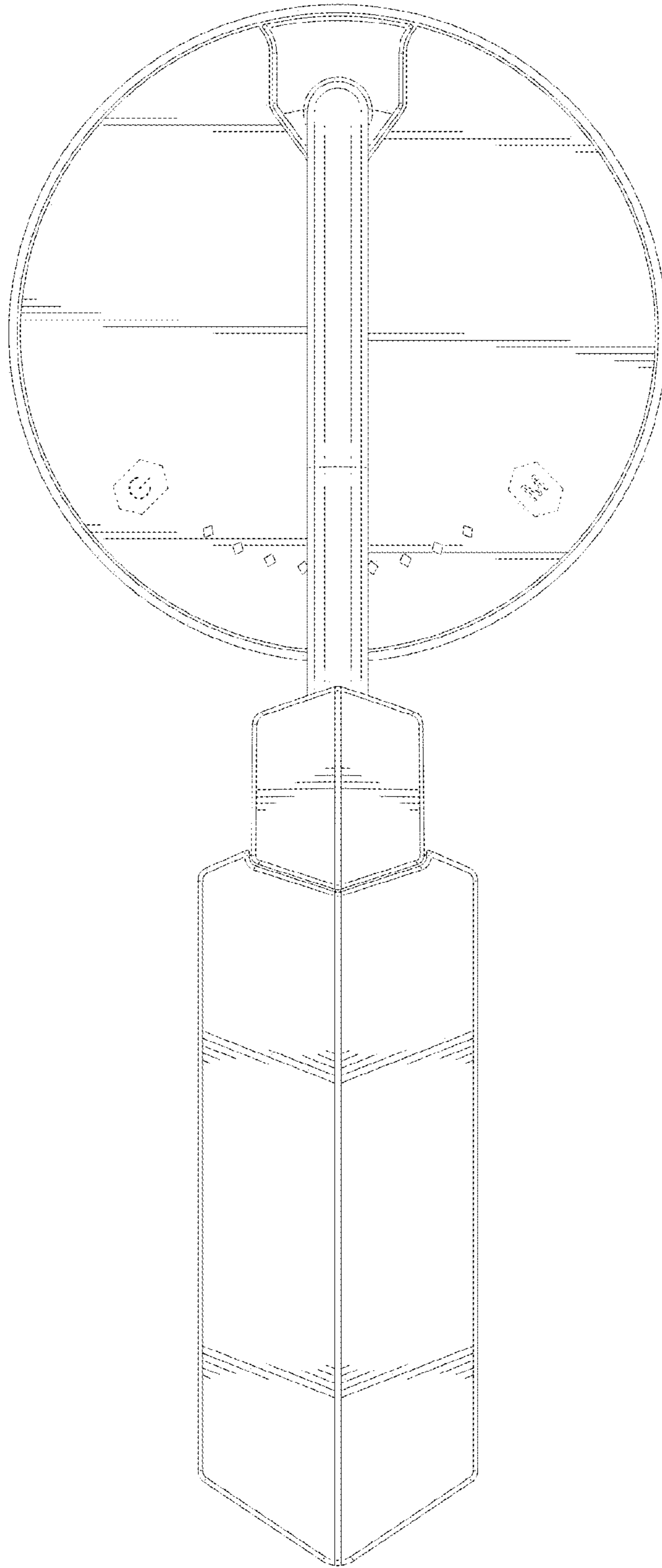


FIG.5

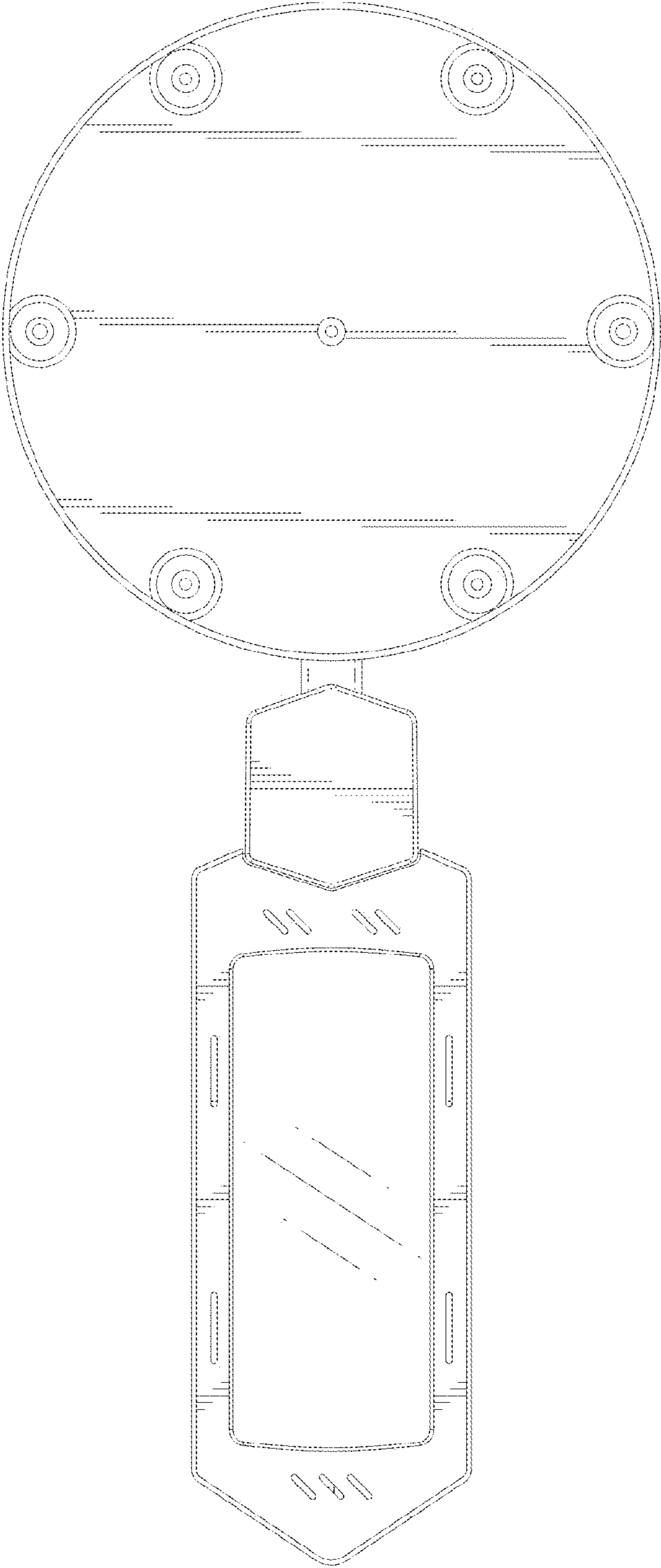


FIG.6

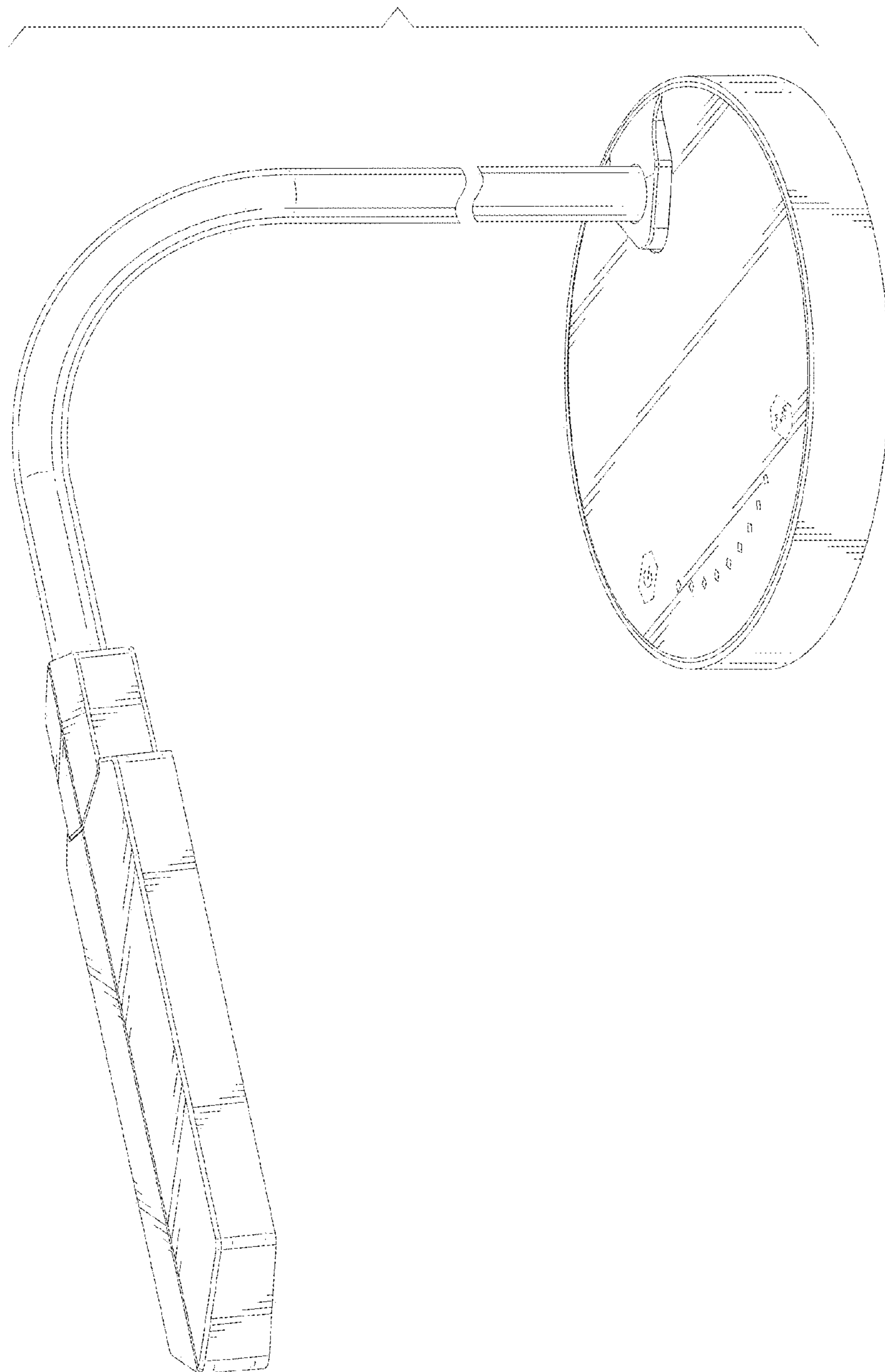


FIG.7

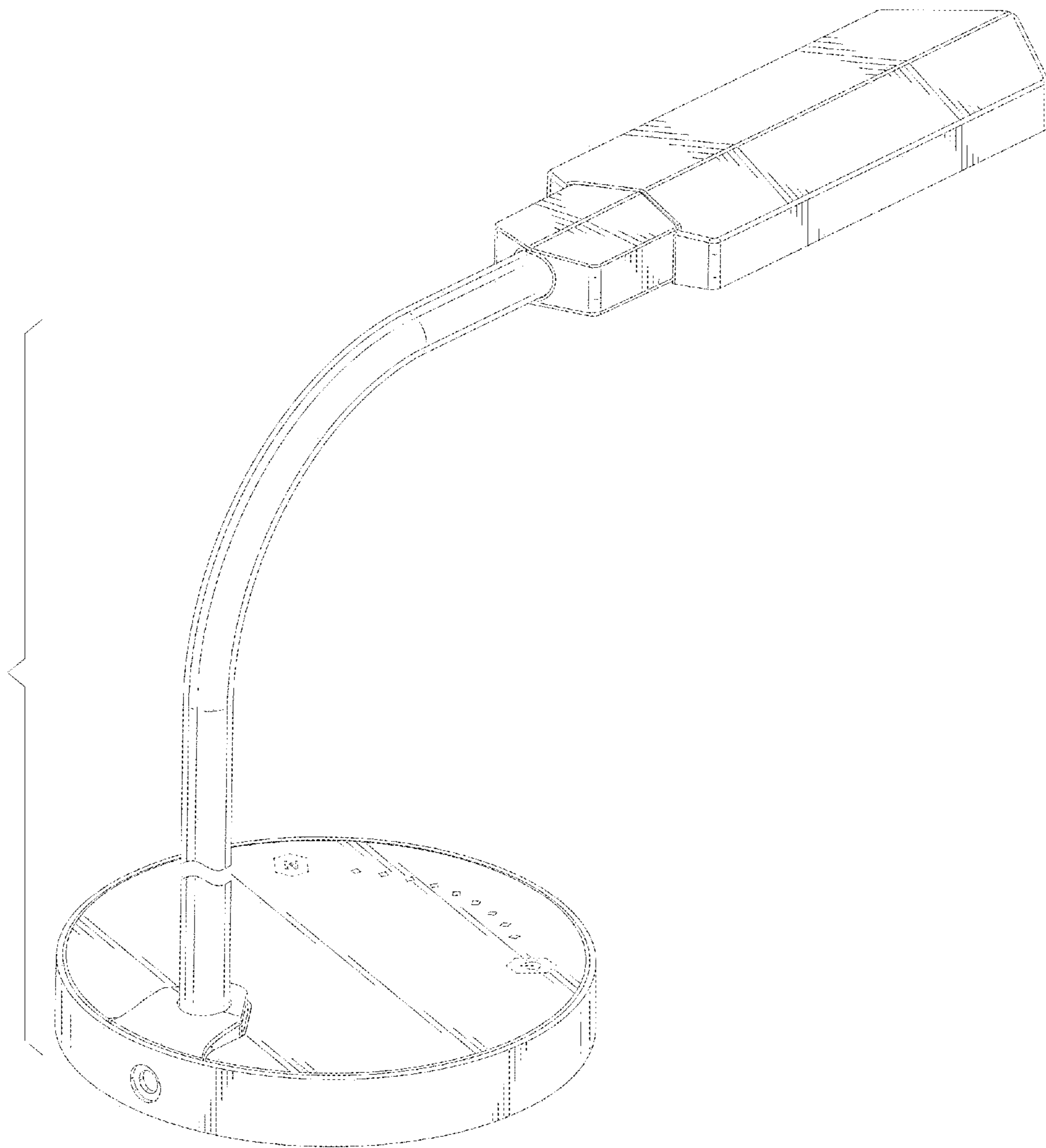


FIG. 8

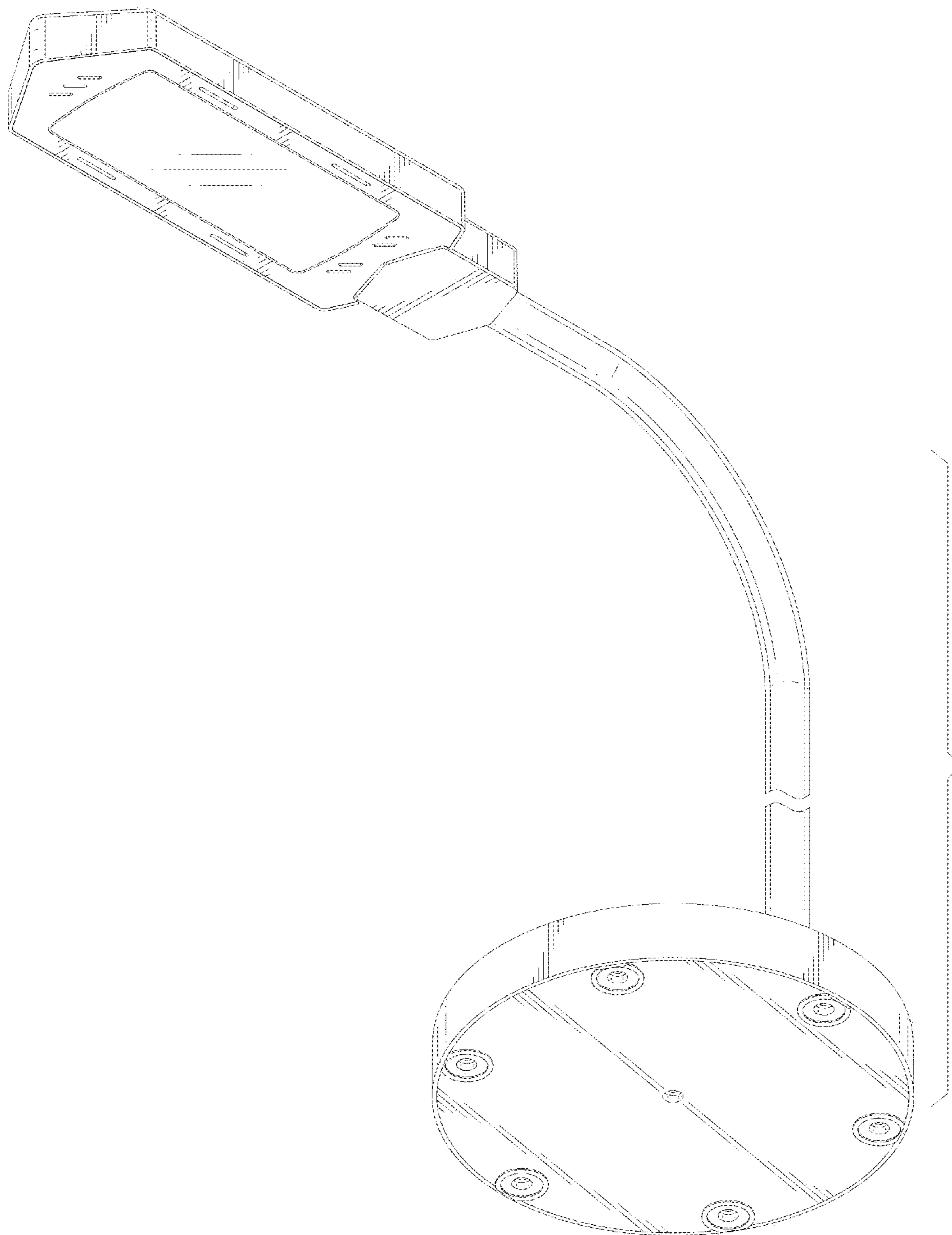


FIG.9