



US00D757340S

(12) **United States Design Patent**
Girard

(10) **Patent No.:** **US D757,340 S**

(45) **Date of Patent:** **** May 24, 2016**

(54) **DECORATIVE ROTATING LAMP**

(71) Applicant: **MerchSource, LLC**, Irvine, CA (US)

(72) Inventor: **Jim Girard**, Boise, ID (US)

(73) Assignee: **MerchSource, LLC**, Irvine, CA (US)

(**) Term: **14 Years**

(21) Appl. No.: **29/508,429**

(22) Filed: **Nov. 6, 2014**

(51) **LOC (10) Cl.** **26-03**

(52) **U.S. Cl.**
USPC **D26/106**

(58) **Field of Classification Search**

USPC D26/1, 24, 93, 104, 106, 112

CPC F21V 21/00; F21V 21/02; F21V 21/116;

F21W 2121/00; F21W 2131/00

See application file for complete search history.

(56) **References Cited**

U.S. PATENT DOCUMENTS

D173,730 S * 12/1954 Helms D26/93

D459,530 S * 6/2002 Dolan D26/106

* cited by examiner

Primary Examiner — Brian N Vinson

(74) *Attorney, Agent, or Firm* — Avyno Law P.C.

(57) **CLAIM**

I claim the ornamental design for a decorative rotating lamp, as shown and described.

DESCRIPTION

FIG. 1 is a front perspective view of a decorative rotating lamp.

FIG. 2 is a front elevation view of the decorative rotating lamp of FIG. 1.

FIG. 3 is a rear elevation view of the decorative rotating lamp of FIG. 1.

FIG. 4 is a top view of the decorative rotating lamp of FIG. 1.

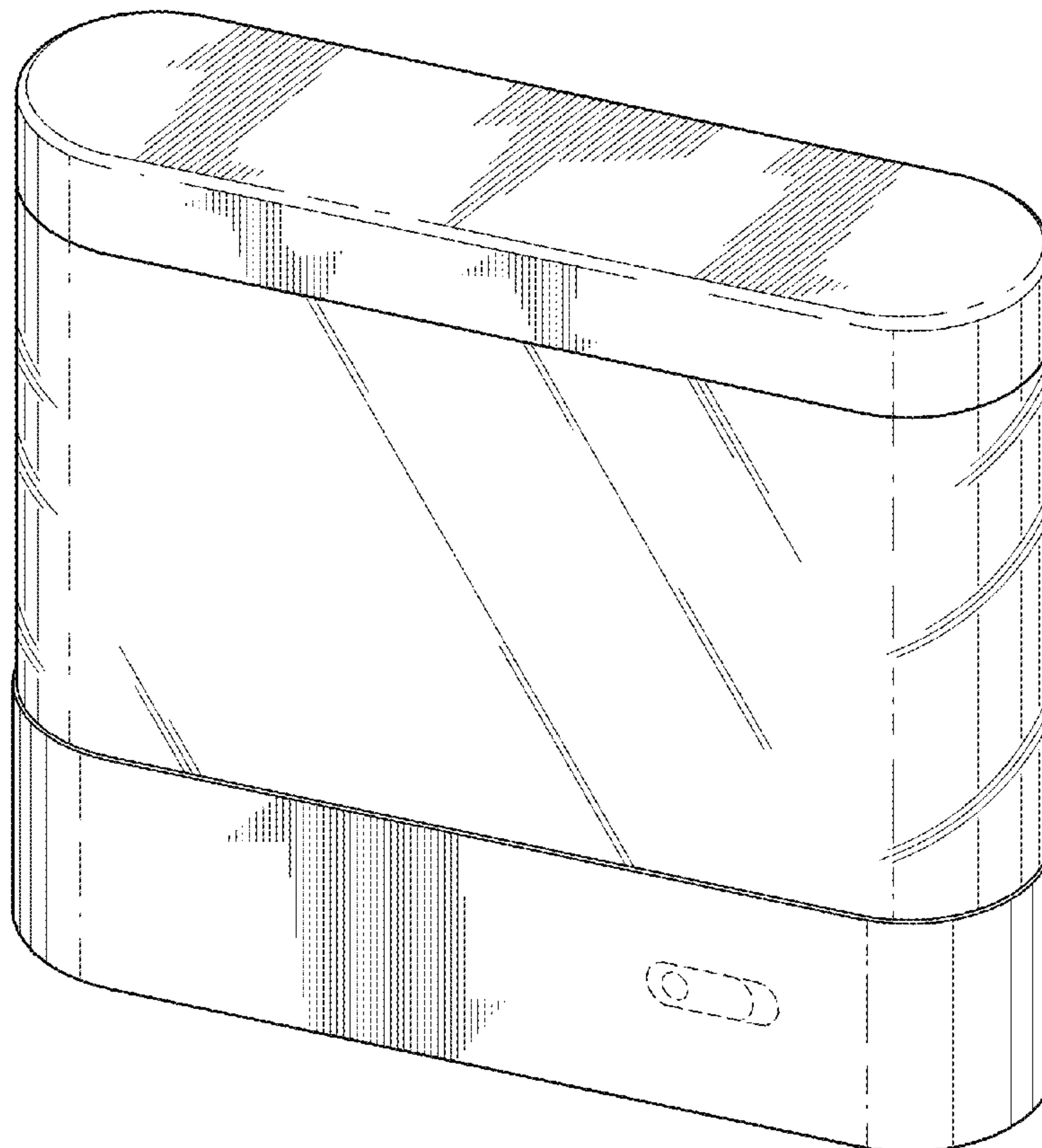
FIG. 5 is a bottom view of the decorative rotating lamp of FIG. 1.

FIG. 6 is a side view of the right side of the decorative rotating lamp of FIG. 1; and,

FIG. 7 is a side view of the left side of the decorative rotating lamp of FIG. 1.

The broken-line disclosure represents portions of the lamp which form no part of the claimed design.

1 Claim, 3 Drawing Sheets



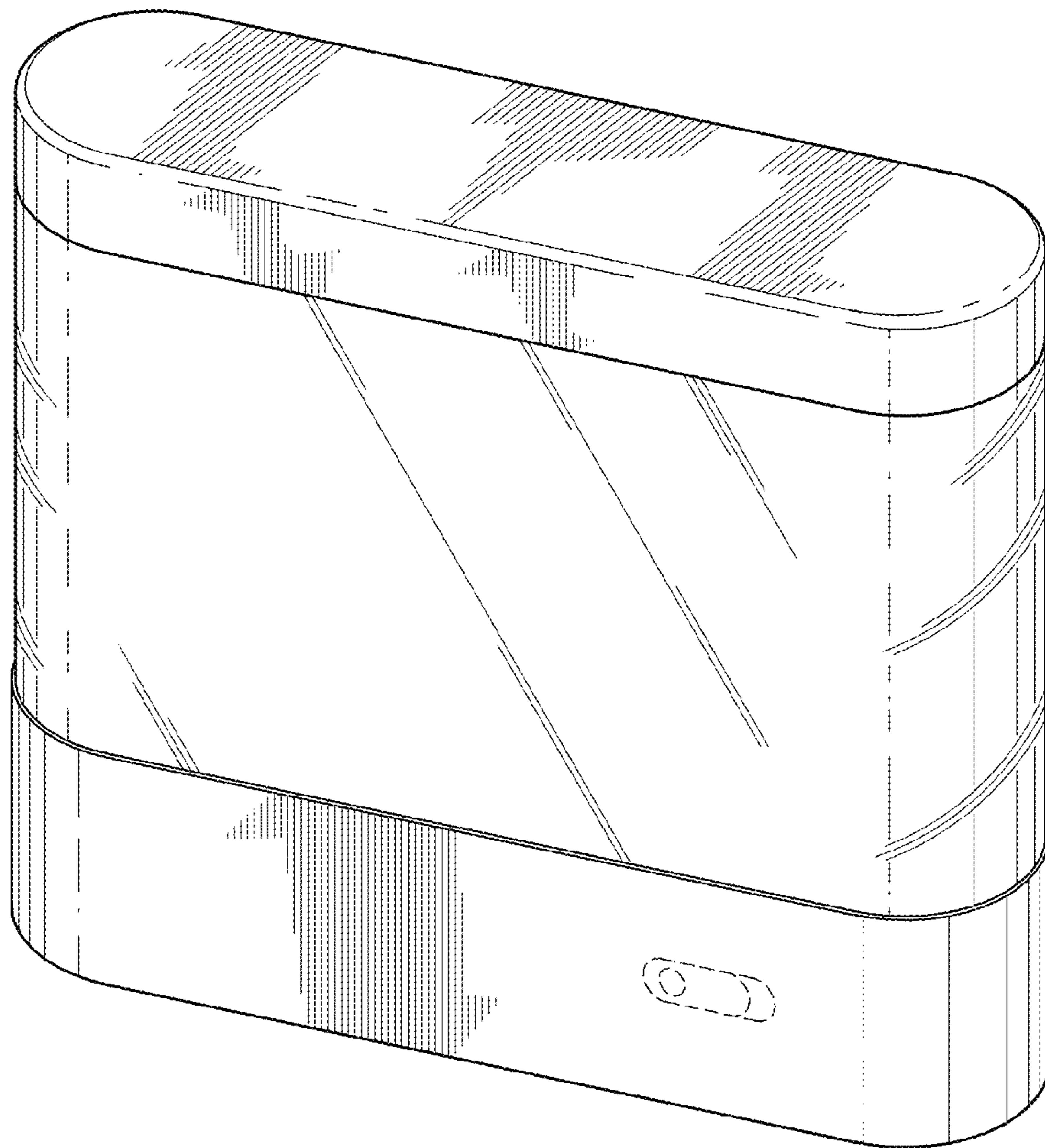


FIG. 1

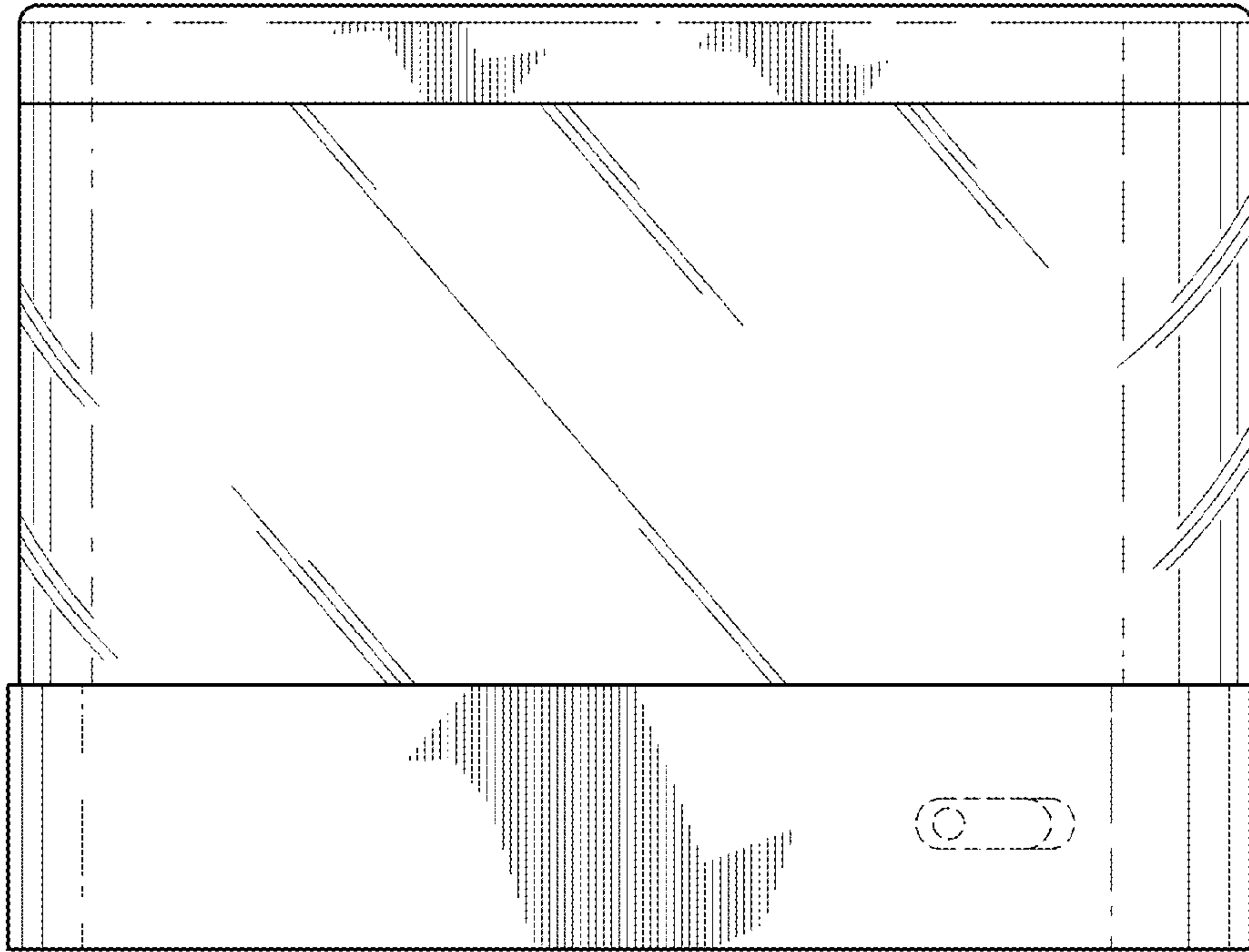


FIG. 2

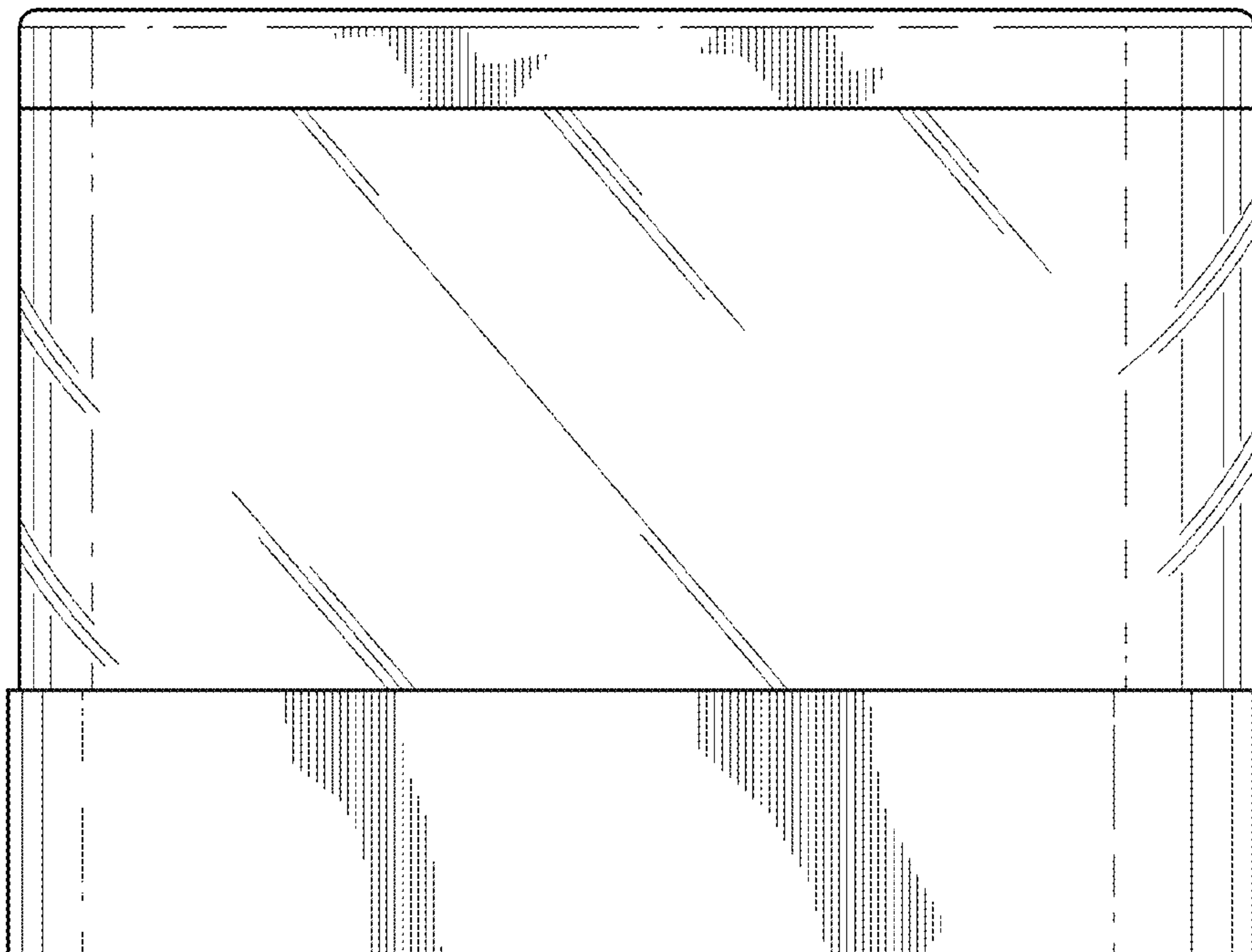


FIG. 3

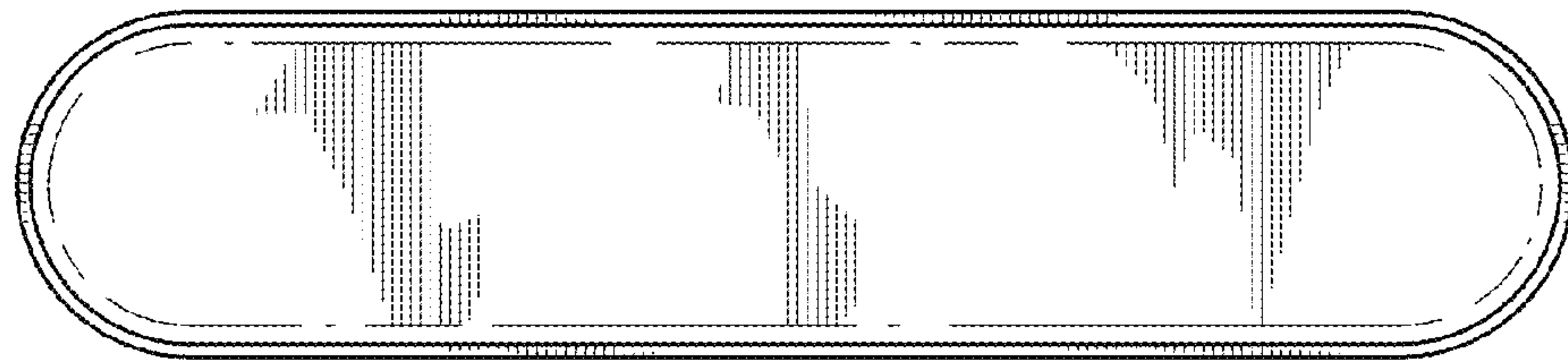


FIG. 4

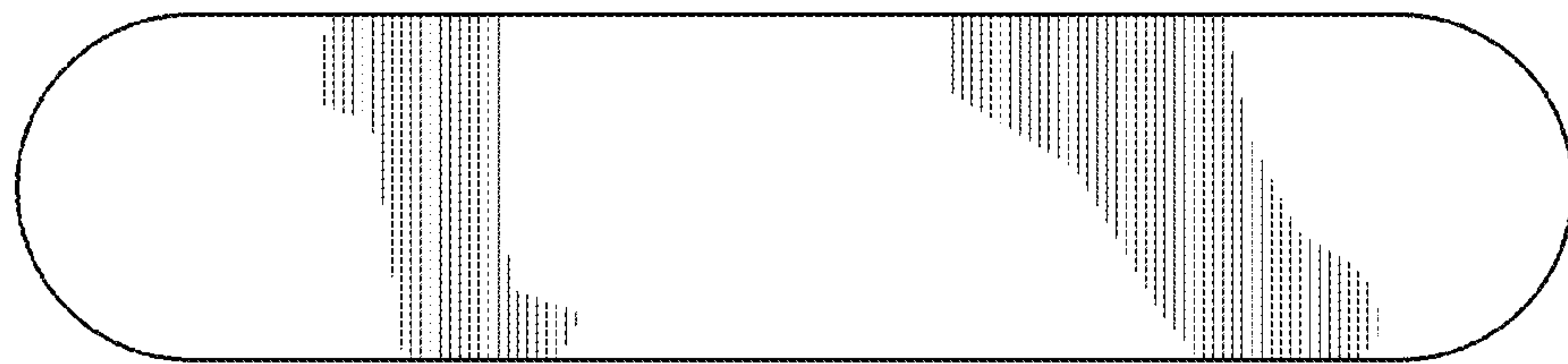


FIG. 5

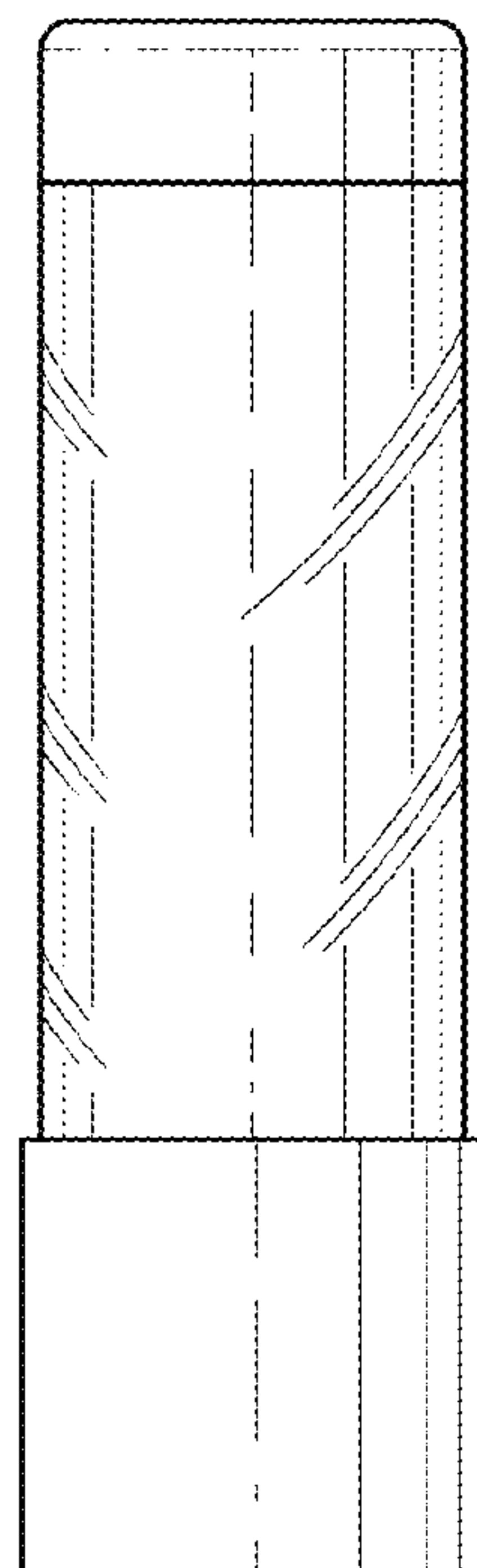


FIG. 6

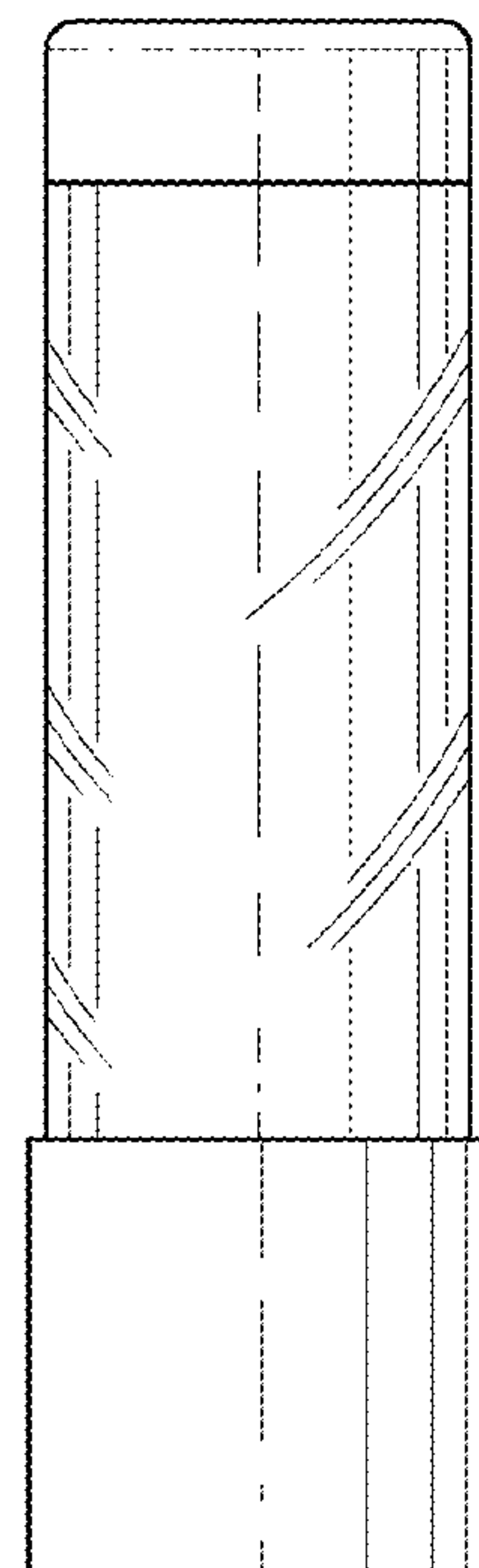


FIG. 7