

US00D757339S

(12) **United States Design Patent**  
**Girard**

(10) **Patent No.:** **US D757,339 S**

(45) **Date of Patent:** **\*\* May 24, 2016**

(54) **DECORATIVE ROTATING LAMP**

(71) Applicant: **MerchSource, LLC**, Irvine, CA (US)

(72) Inventor: **Jim Girard**, Boise, ID (US)

(73) Assignee: **MerchSource, LLC**, Irvine, CA (US)

(\*\*) Term: **14 Years**

(21) Appl. No.: **29/500,067**

(22) Filed: **Aug. 21, 2014**

(51) **LOC (10) Cl.** ..... **26-03**

(52) **U.S. Cl.**  
USPC ..... **D26/106**

(58) **Field of Classification Search**  
USPC ..... D26/1, 24, 93, 104, 106, 112  
CPC ..... F21V 21/00; F21V 21/02; F21V 21/116;  
F21W 2121/00; F21W 2131/00  
See application file for complete search history.

(56) **References Cited**

**U.S. PATENT DOCUMENTS**

D173,730 S \* 12/1954 Helms ..... D26/93  
D459,530 S \* 6/2002 Dolan ..... D26/106

\* cited by examiner

*Primary Examiner* — Brian N Vinson

(74) *Attorney, Agent, or Firm* — Avyno Law P.C.

(57) **CLAIM**

I claim the ornamental design for a decorative rotating lamp, as shown and described.

**DESCRIPTION**

FIG. 1 is a perspective view of a decorative rotating lamp. FIG. 2 is a front elevation view of the decorative rotating lamp of FIG. 1. FIG. 3 is a rear elevation view of the decorative rotating lamp of FIG. 1. FIG. 4 is a side view of the right side of the decorative rotating lamp of FIG. 1. FIG. 5 is a side view of the left side of the decorative rotating lamp of FIG. 1. FIG. 6 is a top view of the decorative rotating lamp of FIG. 1; and, FIG. 7 is a bottom view of the decorative rotating lamp of FIG. 1. The broken-line disclosure represents portions of the lamp which form no part of the claimed design.

**1 Claim, 5 Drawing Sheets**

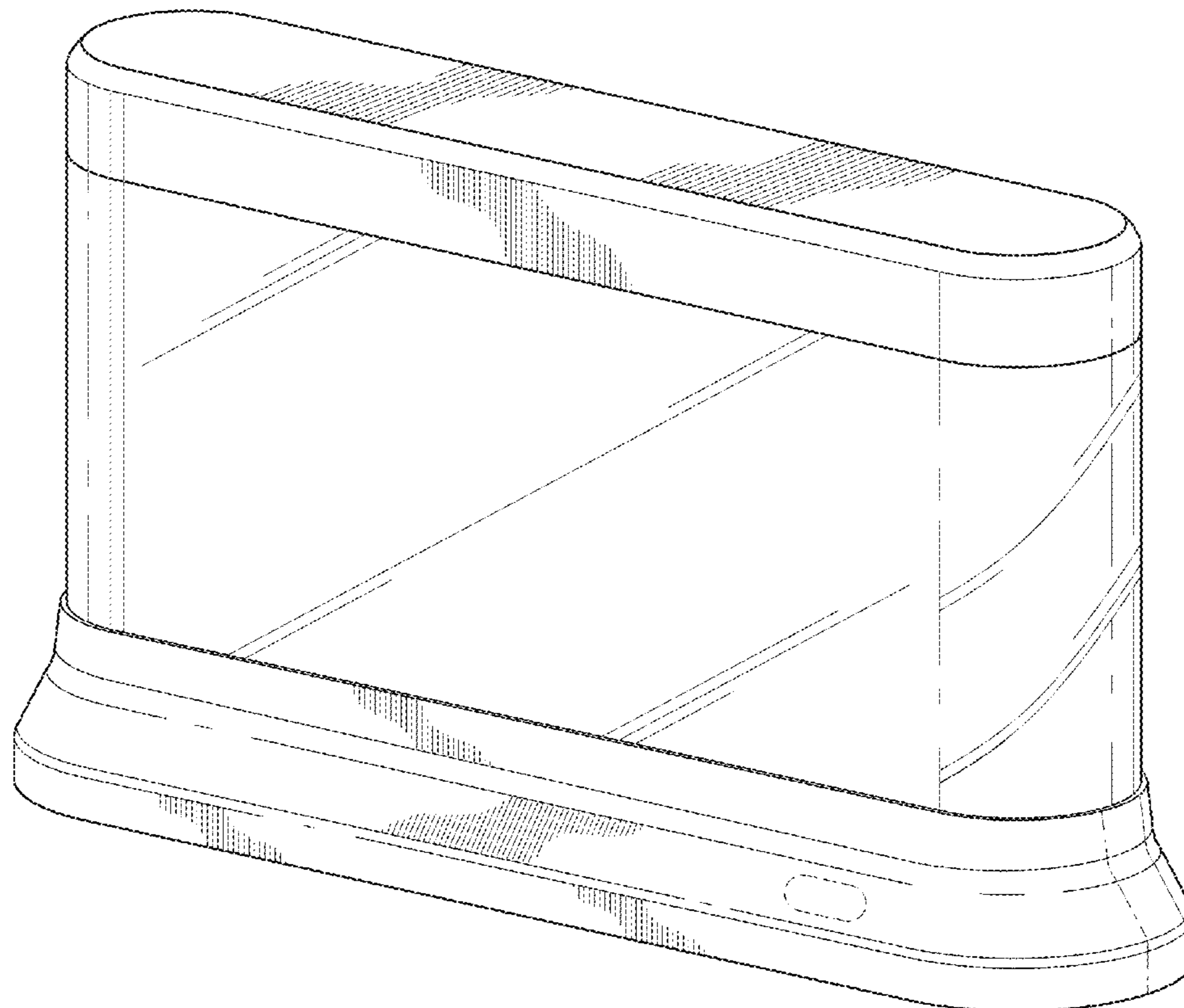


FIG. 1

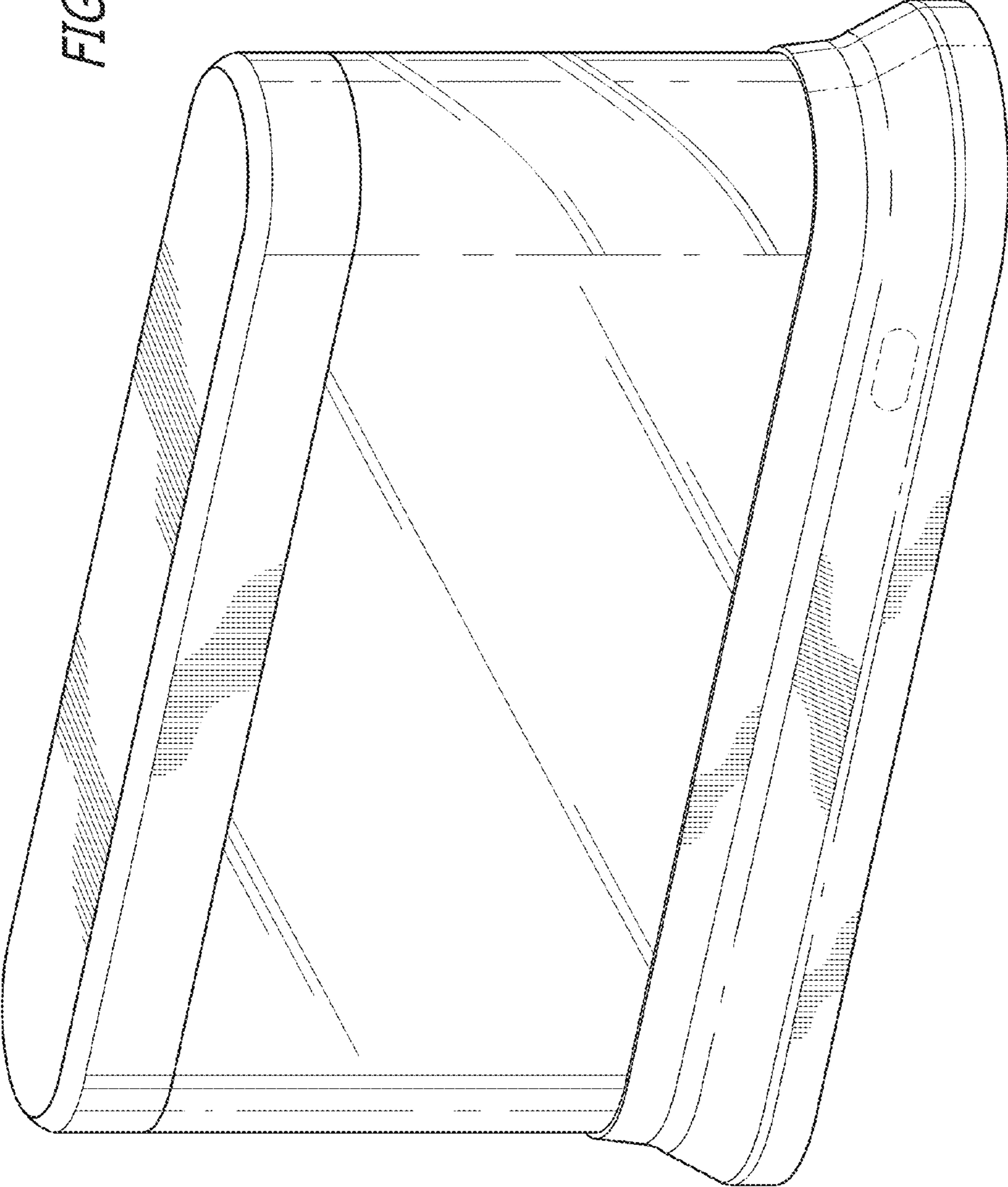


FIG. 2

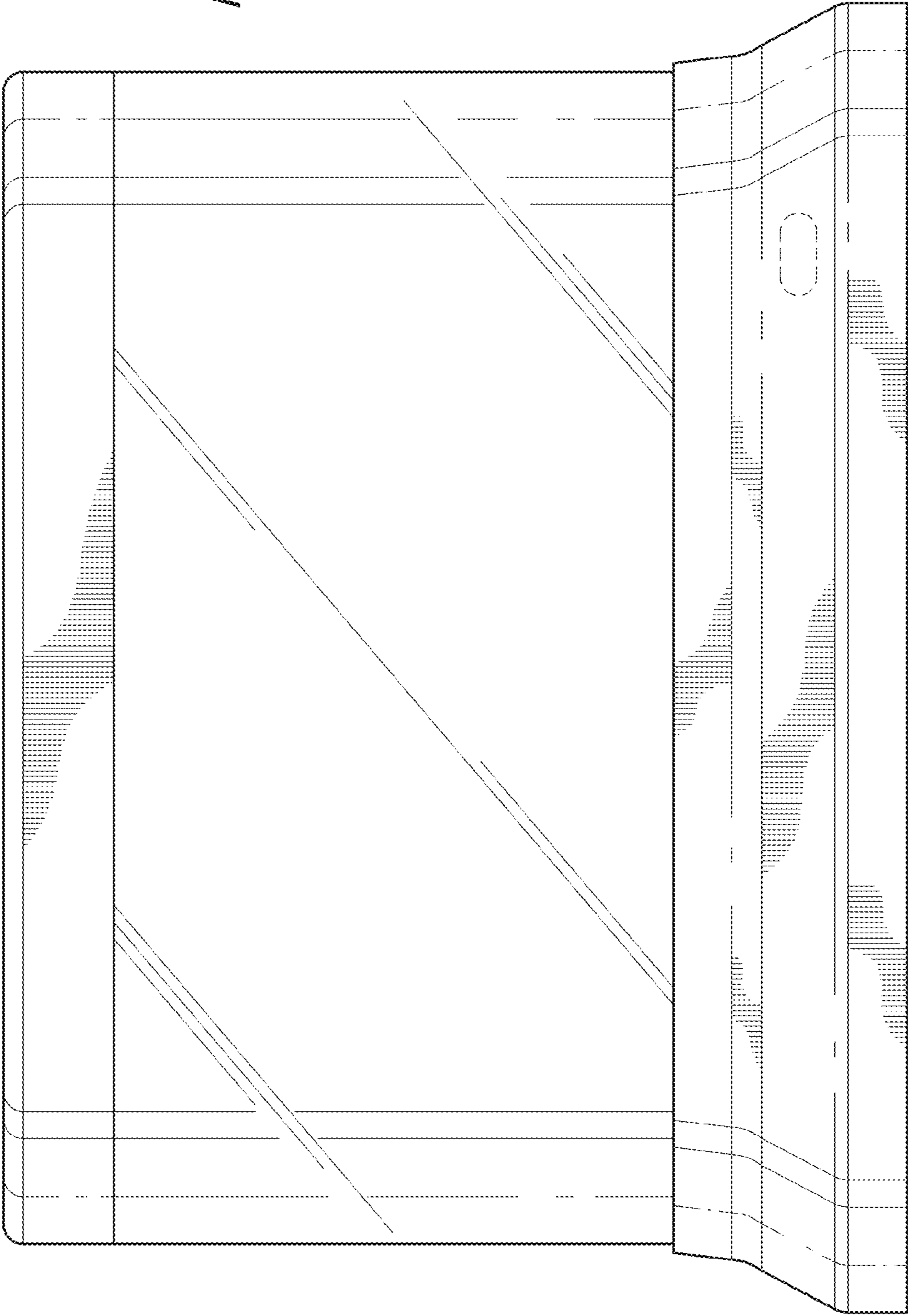
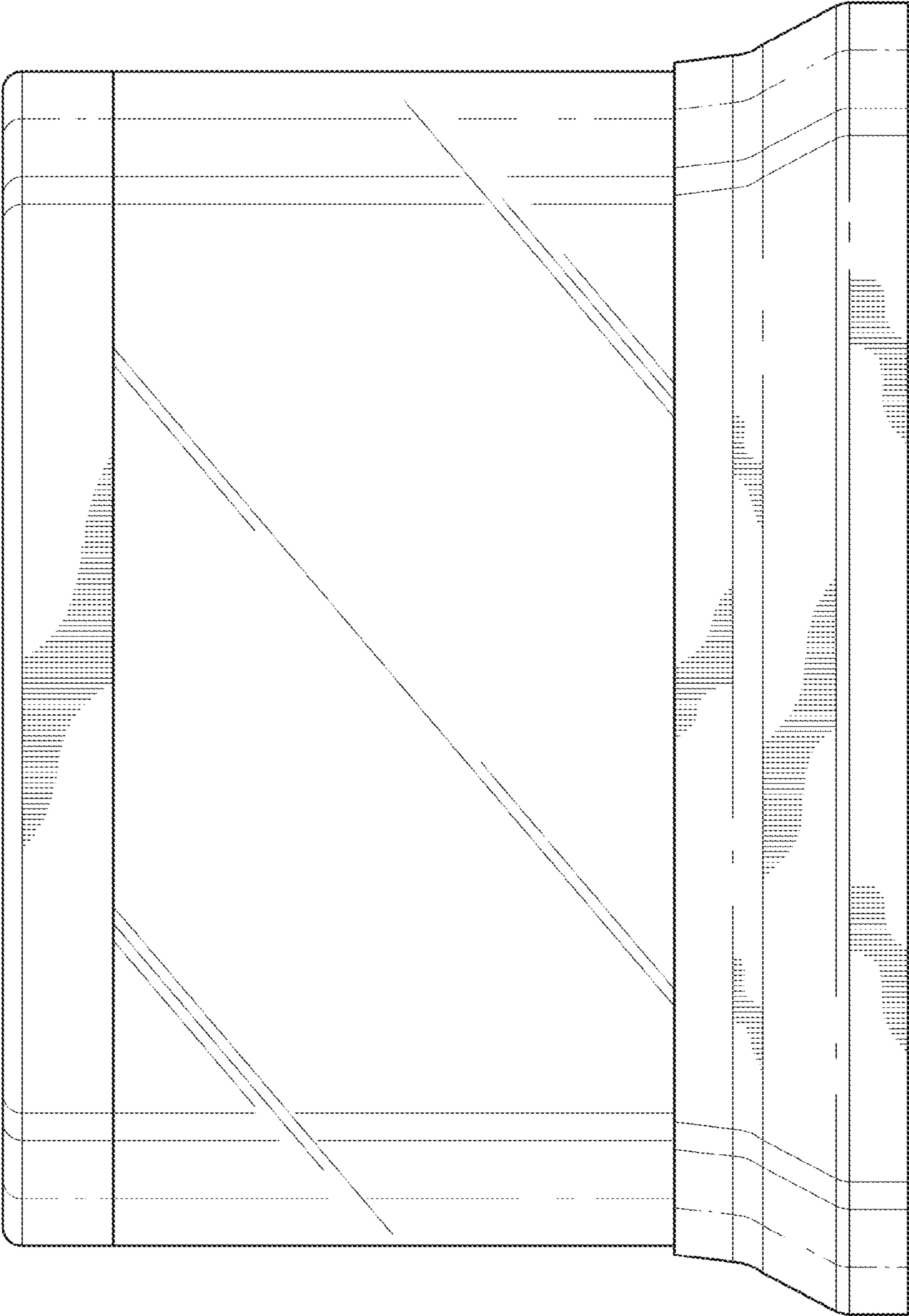


FIG. 3



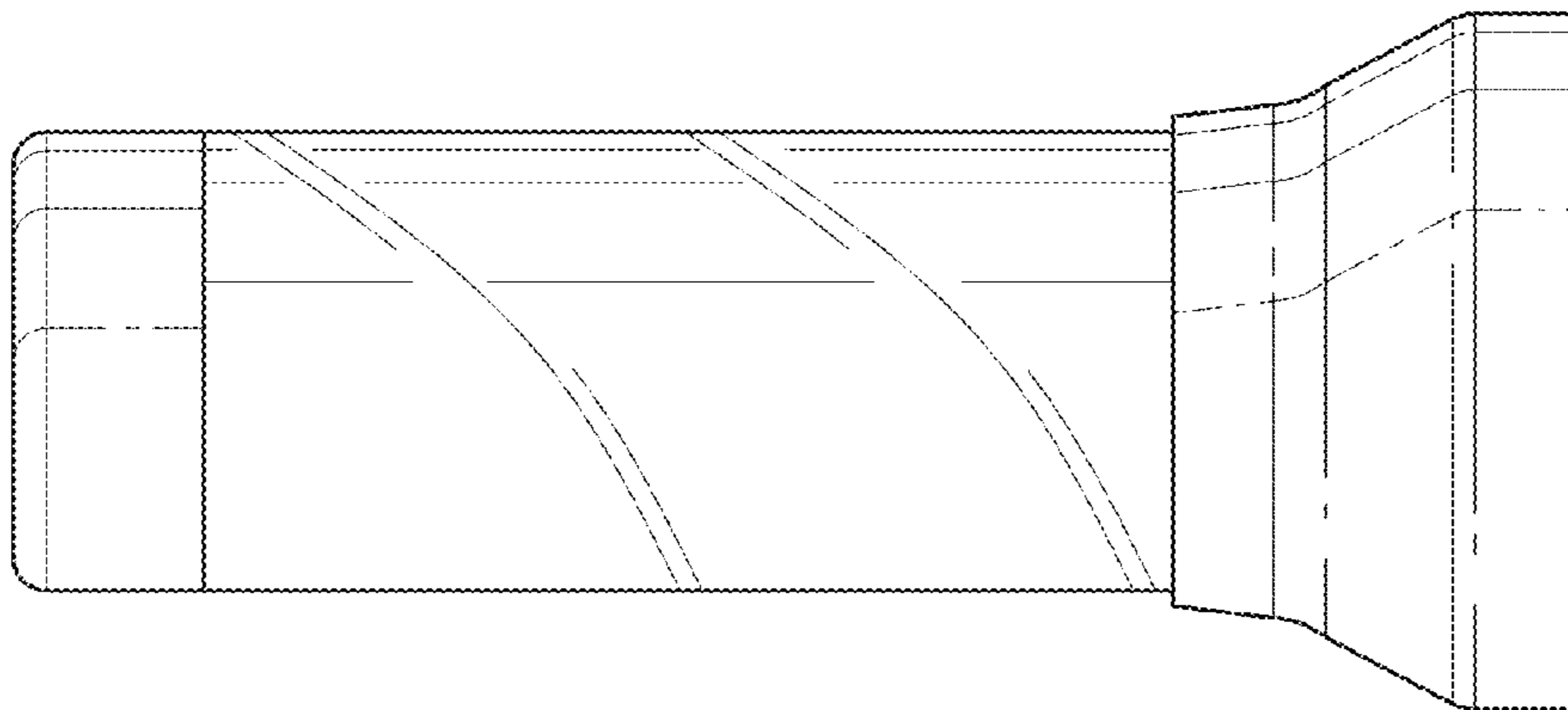


FIG. 5

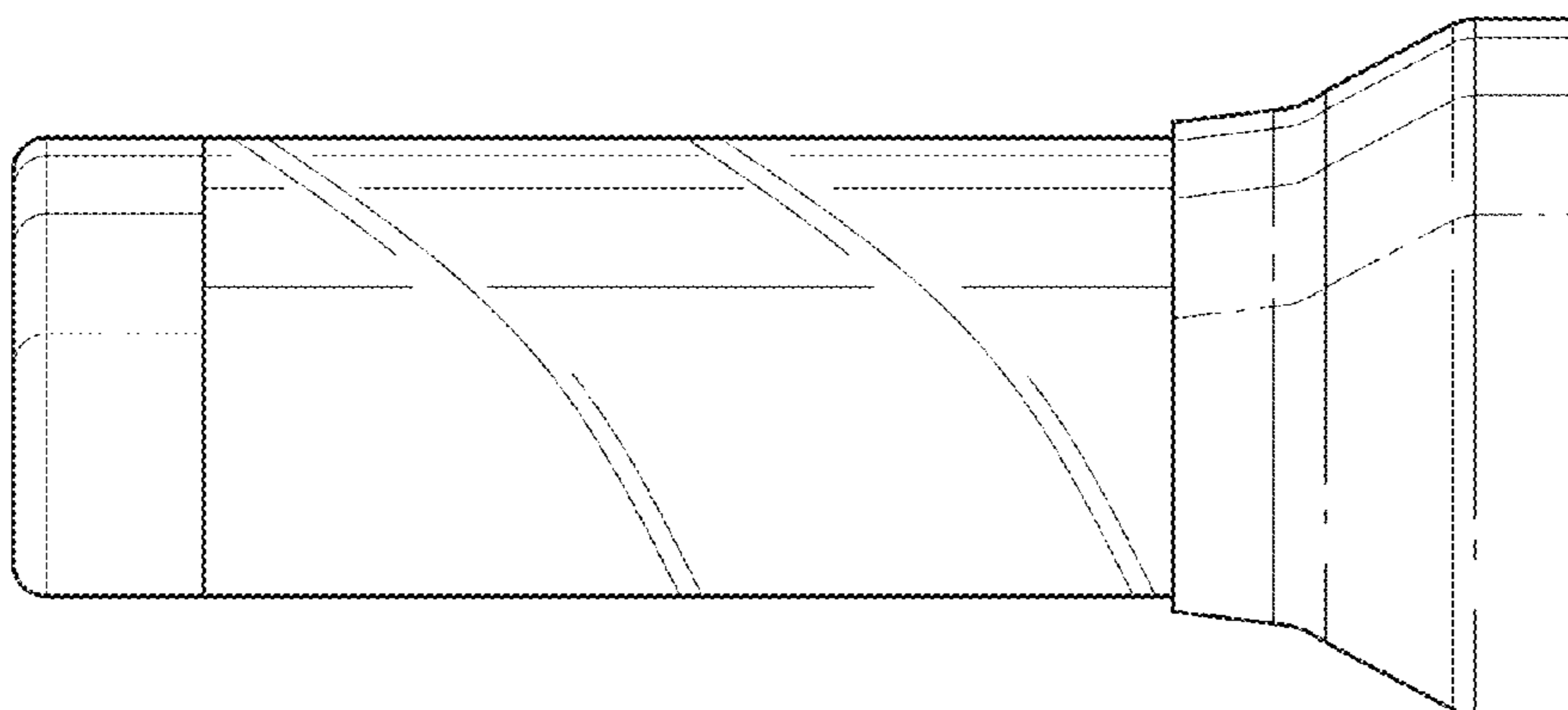


FIG. 4

FIG. 6

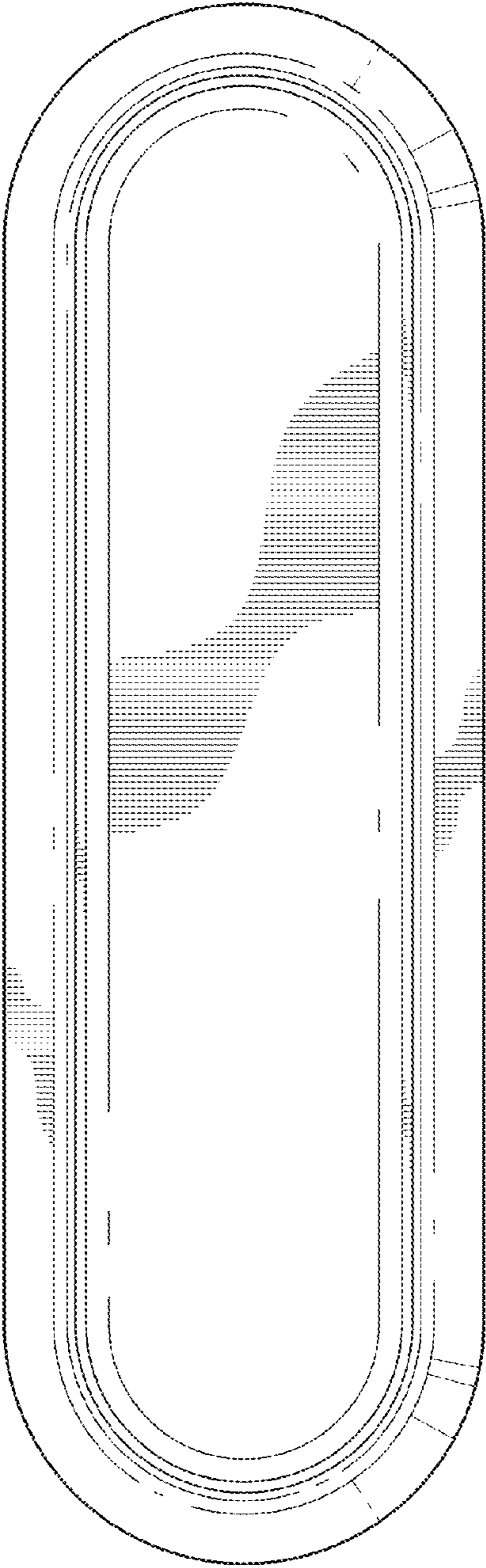


FIG. 7

